



# Commercial By Havit

*Issue 5.0*



Tel: 02 9381 8383  
Email: [sales@havitcommercial.com.au](mailto:sales@havitcommercial.com.au)  
web: [www.HavitCommercial.com.au](http://www.HavitCommercial.com.au)

Address:  
8/133 Beauchamp Road  
Matraville NSW 2036  
Australia

Postal:  
PO Box 787  
Matraville NSW 2036  
Australia

All images and information in this publication are a guide to the displayed product and should be checked at [www.HavitCommercial.com.au](http://www.HavitCommercial.com.au) prior to purchase. Information is subject to change without notification at the discretion of Havit Commercial.

For further information please contact the team at Havit Commercial Pty Ltd.

Although Havit Commercial will make every effort to supply the globe shown, another globe may be supplied if models change or a globe is not available.

For information about our warranty visit: [www.HavitCommercial.com.au](http://www.HavitCommercial.com.au)





# HAVIT

## COMMERCIAL

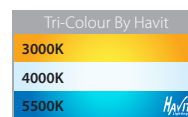


For extended product specifications, new products and other information visit [www.HavitCommercial.com.au/more](http://www.HavitCommercial.com.au/more) or scan this QR code



- 1. TRACK LIGHTING ..... 2-45
- 2. SPOT LIGHTS..... 46-57
- 3. LED PANELS .....58-61
- 4. OUTDOOR WALL LIGHTS ..... 62-67
- 5. RECESSED STEP LIGHTS..... 68-73
- 6. WALL WASHERS .....74-81
- 7. LED BATTENS..... 82-83
- 8. GARDEN LIGHTS .....84-97
- 9. INGROUND LIGHTS ..... 98-103
- 10. BOLLARDS ..... 104-107
- 11. DECK LIGHTS .....108-127
- 12. LED STRIP LIGHTS ..... 128-186
- 13. LED SHEETS ..... 187-189
- 14. ALUMINIUM PROFILE ..... 190-255
- 15. LED DRIVERS .....256-263
- 16. LED STRIP CONTROLLERS ..... 264-299
- 17. PROLINE PENDANTS ..... 300-327
- 18. LED DOWNLIGHTS.....328-395
- 19. PENDANTS ..... .396-399
- 20. EMERGENCY LIGHTS..... 400-405
- 21. WARRANTY.....406-407
- 22. RATINGS GUIDE & NOTES .....408-413



# 9IN1 SINGLE CIRCUIT TRACK HEADS



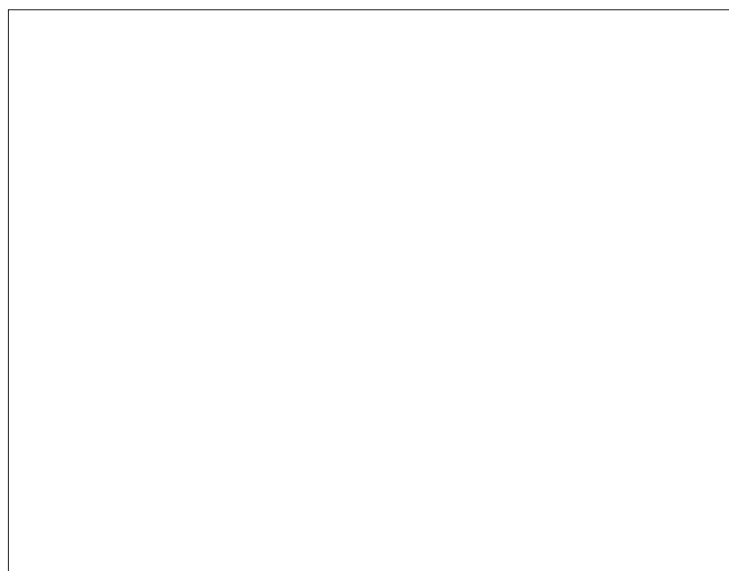
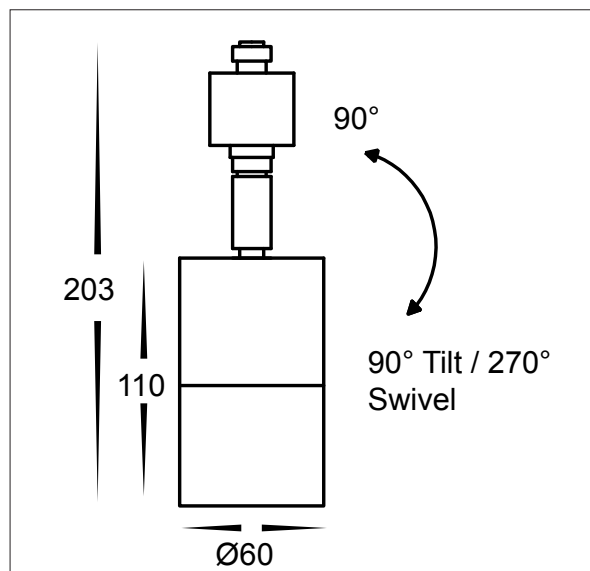
## PRODUCT DATA

SINGLE CIRCUIT TRACK LIGHT	
MATERIAL	ALUMINIUM
COLOUR/FINISH	MATT BLACK OR MATT WHITE
COLOUR TEMP	3000K   4000K   5500K (TRI-COLOUR)
LUMEN OUTPUT	240LM-560LM   255LM-595LM   270LM-630LM
INPUT VOLTAGE	240V AC
BUILT-IN LED	9 IN 1 LED 3/5/7W GU10
DIMMING	TRIAC
CRI	RA >80
BEAM ANGLE	60°
IP RATING	IP20

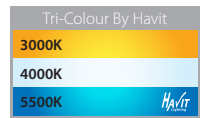
## PRODUCT ORDERING

ALUMINIUM BLACK				
	<b>HCP-1021000</b>	9 in 1 LED 3/5/7w	3000K 4000K 5500K	240-560LM 255-595LM 270-630LM
ALUMINIUM WHITE				
	<b>HCP-1031000</b>	9 in 1 LED 3/5/7w	3000K 4000K 5500K	240-560LM 255-595LM 270-630LM

## OTHER DATA



# 2 LIGHT 9IN1 SINGLE CIRCUIT TRACK LIGHT KIT



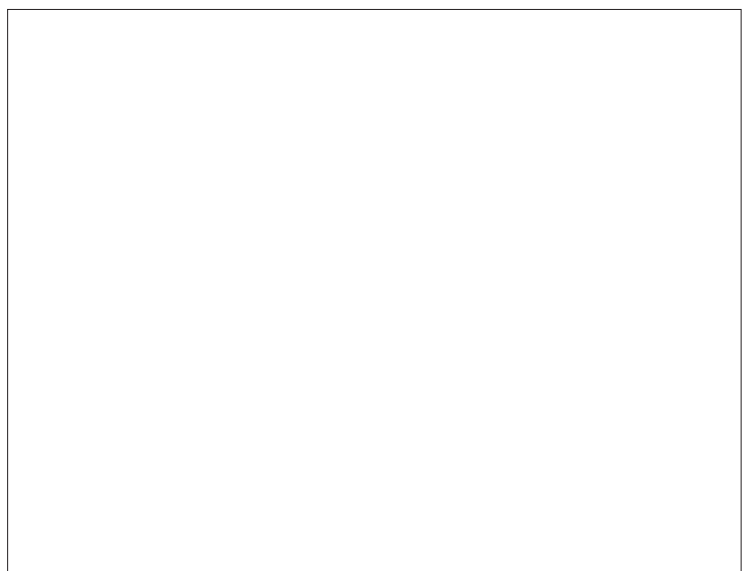
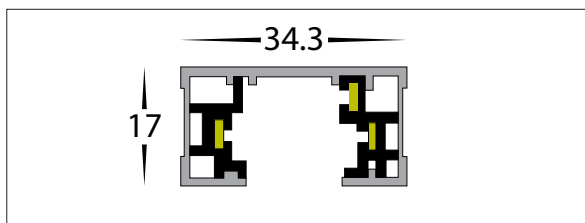
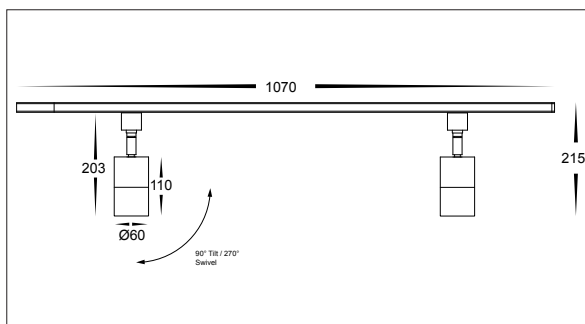
## PRODUCT DATA

1M TRACK LIGHT KIT	
MATERIAL	ALUMINIUM
COLOUR/FINISH	MATT BLACK OR MATT WHITE
COLOUR TEMP	3000K   4000K   5500K (TRI-COLOUR)
LUMEN OUTPUT	240LM-560LM   255LM-595LM   270LM-630LM
INPUT VOLTAGE	240V AC
BUILT-IN LED	2X 9 IN 1 LED 3/5/7W GU10
DIMMING	TRIAC
CRI	RA >80
BEAM ANGLE	60°
IP RATING	IP20

## PRODUCT ORDERING

ALUMINIUM BLACK				
	<b>HCP-1021002</b>	9 in 1 LED 3/5/7w	3000K 4000K 5500K	240-560LM 255-595LM 270-630LM (PER LIGHT)
ALUMINIUM WHITE				
	<b>HCP-1031002</b>	9 in 1 LED 3/5/7w	3000K 4000K 5500K	240-560LM 255-595LM 270-630LM (PER LIGHT)

## OTHER DATA





# 12W SINGLE CIRCUIT TRACK HEADS



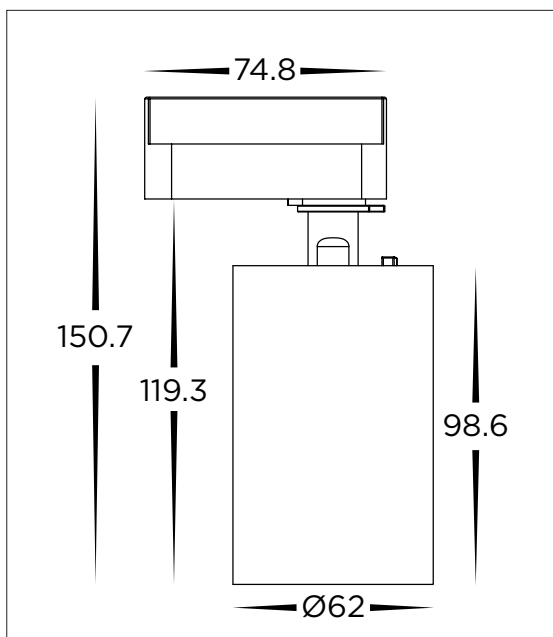
## PRODUCT DATA






SINGLE CIRCUIT TRACK LIGHT	
MATERIAL	ALUMINIUM + PLASTIC
COLOUR/FINISH	MATT BLACK OR MATT WHITE
COLOUR TEMP	2700K   3000K   4000K   5000K   5700K
LUMEN OUTPUT	747LM   778LM   856LM   923LM   970LM
INPUT VOLTAGE	240V AC
BUILT-IN LED	12W
DIMMING	TRIAC
CRI	RA >90
BEAM ANGLE	60°
IP RATING	IP20

## PRODUCT ORDERING

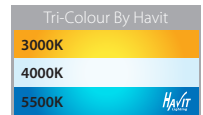
ALUMINIUM BLACK				
	<b>HCP-1021201</b>	12W LED	2700K 3000K 4000K 5000K 5700K	747LM 778LM 856LM 923LM 970LM
ALUMINIUM WHITE				
	<b>HCP-1031201</b>	12W LED	2700K 3000K 4000K 5000K 5700K	747LM 778LM 856LM 923LM 970LM

## OTHER DATA



OPTIONAL ACCESSORIES		
	<b>HCP-105006-BR</b>	BLACK INSERT
	<b>HCP-105006-CR</b>	CHROME INSERT
	<b>HCP-105006-GR</b>	GOLD INSERT
	<b>HCP-105006-15</b>	15° LENS
	<b>HCP-105006-24</b>	24° LENS
	<b>HCP-105006-36</b>	36° LENS
	<b>HCP-105006-HC</b>	HONEYCOMB LENS







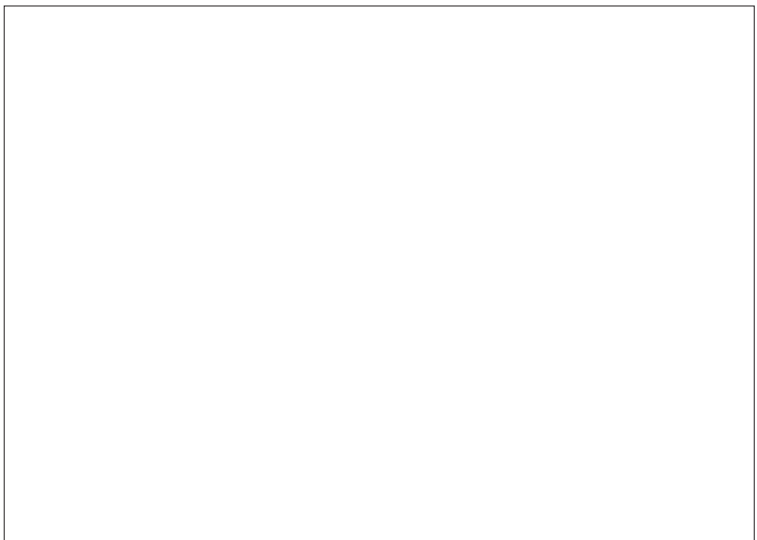
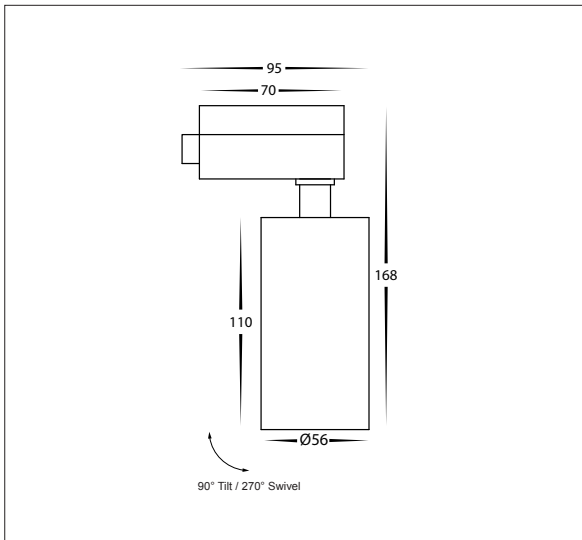
## PRODUCT DATA

SINGLE CIRCUIT TRACK LIGHT	
MATERIAL	ALUMINIUM
COLOUR/FINISH	MATT BLACK OR MATT WHITE
COLOUR TEMP	3000K   4000K   5500K (TRI-COLOUR)
LUMEN OUTPUT	423LM   473LM   475LM
INPUT VOLTAGE	240V
BUILT-IN LED	9W
DIMMING	TRIAC
CRI	90+
BEAM ANGLE	60°
IP RATING	IP20

## PRODUCT ORDERING

ALUMINIUM BLACK				
	<b>HCP-1020901</b>	9w LED	3000K 4000K 5500K	423LM 473LM 475LM
ALUMINIUM WHITE				
	<b>HCP-1030901</b>	9w LED	3000K 4000K 5500K	423LM 473LM 475LM

## OTHER DATA









# 10W SINGLE CIRCUIT TRACK LIGHT



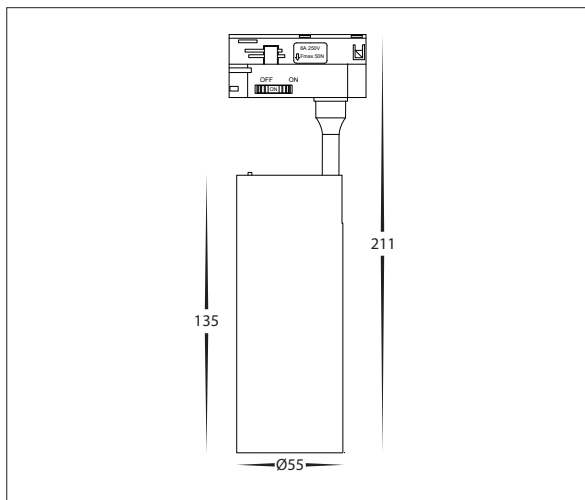
## PRODUCT DATA




SINGLE CIRCUIT TRACK LIGHT	
MATERIAL	ALUMINIUM + PLASTIC
COLOUR/FINISH	MATT BLACK OR MATT WHITE
COLOUR TEMP	2700K   3000K   4000K   5000K   5700K - 5 COLOUR
LUMEN OUTPUT	759LM   789LM   870LM   940LM   985LM
INPUT VOLTAGE	240V AC
BUILT-IN LED	10W LED
DIMMING	TRIAC
CRI	90+
BEAM ANGLE	36°
IP RATING	IP20

## PRODUCT ORDERING

ALUMINIUM BLACK				
	<b>HCP-1021011</b>	10w LED	2700K 3000K 4000K 5000K 5700K	759LM 789LM 870LM 940LM 985LM
ALUMINIUM WHITE				
	<b>HCP-1031011</b>	10w LED	2700K 3000K 4000K 5000K 5700K	759LM 789LM 870LM 940LM 985LM

## OTHER DATA



OPTIONAL ACCESSORIES		
	<b>HCP-105007-BR</b>	BLACK INSERT WITH HONEYCOMB
	<b>HCP-105007-GR</b>	GOLD INSERT WITH HONEYCOMB
	<b>HCP-105007-15</b>	15° LENS
	<b>HCP-105007-24</b>	24° LENS





# 20W SINGLE CIRCUIT TRACK HEADS



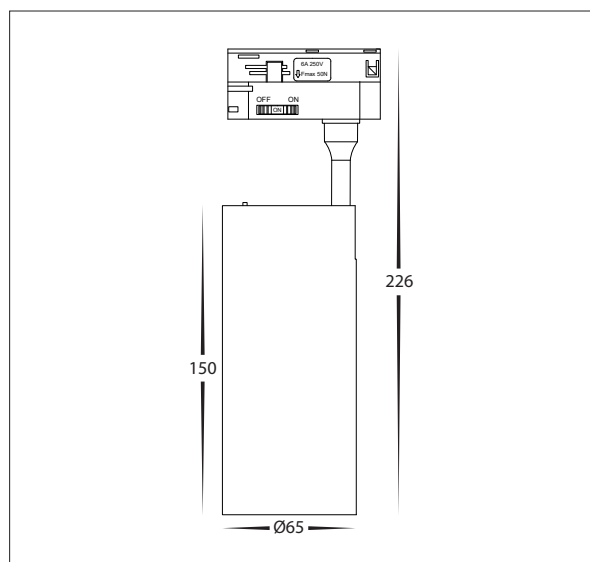
## PRODUCT DATA





SINGLE CIRCUIT TRACK LIGHT	
MATERIAL	ALUMINIUM + PLASTIC
COLOUR/FINISH	MATT BLACK OR MATT WHITE
COLOUR TEMP	2700K   3000K   4000K   5000K   5700K (5 COLOUR)
LUMEN OUTPUT	1074LM   1130LM   1196LM   1241LM   1255LM
INPUT VOLTAGE	240V AC
BUILT-IN LED	20W
DIMMING	TRIAC
CRI	90+
BEAM ANGLE	60°
IP RATING	IP20

## PRODUCT ORDERING

ALUMINIUM BLACK				
	<b>HCP-1022001</b>	20w LED	2700K 3000K 4000K 5000K 5700K	1074LM 1130LM 1196LM 1241LM 1255LM
ALUMINIUM WHITE				
	<b>HCP-1032001</b>	20w LED	2700K 3000K 4000K 5000K 5700K	1074LM 1130LM 1196LM 1241LM 1255LM

## OTHER DATA



OPTIONAL ACCESSORIES		
	<b>HCP-105004-BR</b>	BLACK INSERT WITH HONEYCOMB
	<b>HCP-105004-GR</b>	GOLD INSERT WITH HONEYCOMB
	<b>HCP-105004-WR</b>	WHITE INSERT WITH HONEYCOMB
	<b>HCP-105004-15</b>	15° LENS
	<b>HCP-105004-24</b>	24° LENS
	<b>HCP-105004-36</b>	36° LENS







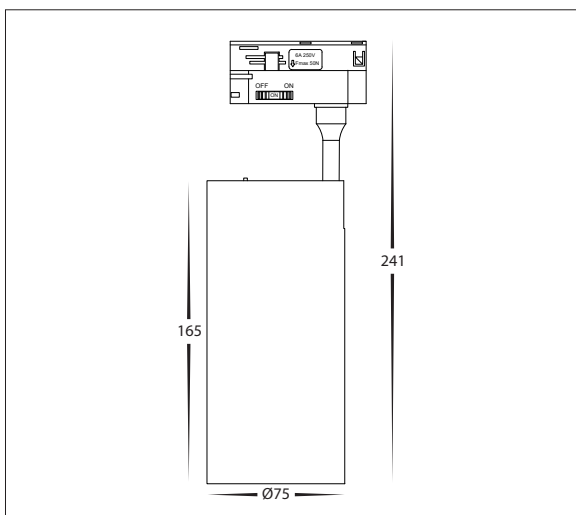
## PRODUCT DATA





SINGLE CIRCUIT TRACK LIGHT	
MATERIAL	ALUMINIUM + PLASTIC
COLOUR/FINISH	MATT BLACK OR MATT WHITE
COLOUR TEMP	2700K   3000K   4000K   5000K   5700K (5 COLOUR)
LUMEN OUTPUT	1663LM   1706LM   1792LM   1840LM   1920LM
INPUT VOLTAGE	240V
BUILT-IN LED	30W
DIMMING	TRIAC
CRI	90+
BEAM ANGLE	60°
IP RATING	IP20

## PRODUCT ORDERING

ALUMINIUM BLACK				
	<b>HCP-1023001</b>	30w LED	2700K 3000K 4000K 5000K 5700K	1663LM 1706LM 1792LM 1840LM 1920LM
ALUMINIUM WHITE				
	<b>HCP-1033001</b>	30w LED	2700K 3000K 4000K 5000K 5700K	1663LM 1706LM 1792LM 1840LM 1920LM

## OTHER DATA



OPTIONAL ACCESSORIES		
	<b>HCP-105005-BR</b>	BLACK INSERT WITH HONEYCOMB
	<b>HCP-105005-GR</b>	GOLD INSERT WITH HONEYCOMB
	<b>HCP-105005-WR</b>	WHITE INSERT WITH HONEYCOMB
	<b>HCP-105005-15</b>	15° LENS
	<b>HCP-105005-24</b>	24° LENS
	<b>HCP-105005-36</b>	36° LENS



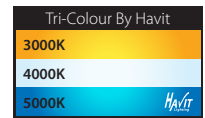
# 6W OR 9W SINGLE CIRCUIT TRACK HEADS





## PRODUCT DATA

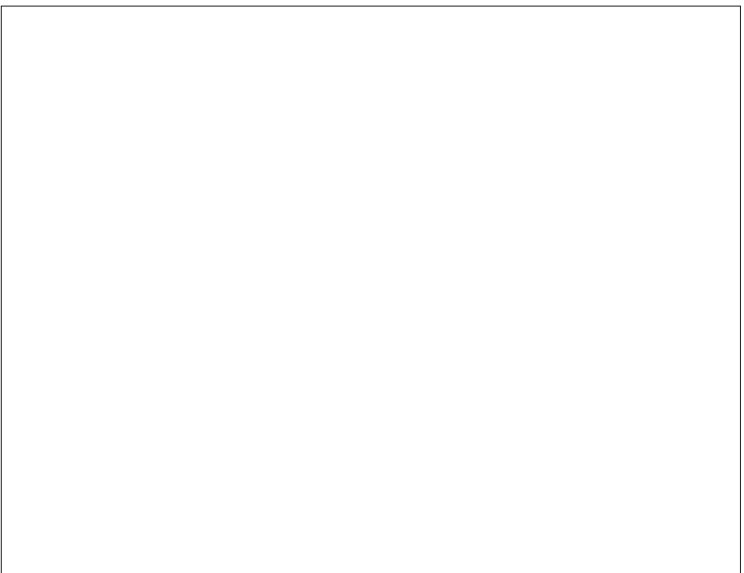
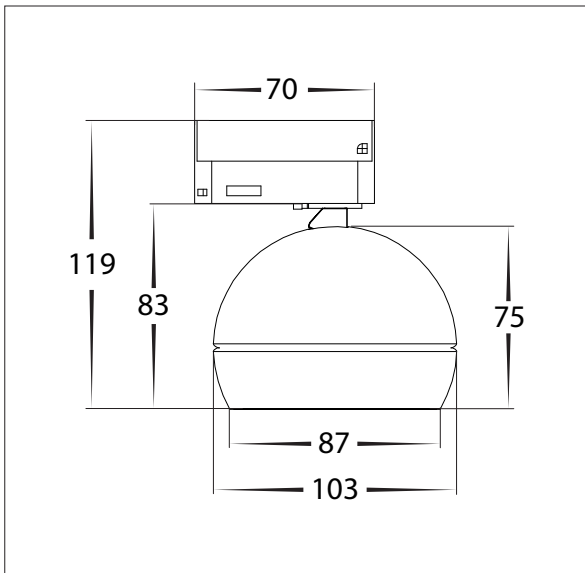
SINGLE CIRCUIT TRACK LIGHT	
MATERIAL	ALUMINIUM + PLASTIC
COLOUR/FINISH	MATT BLACK OR MATT WHITE
COLOUR TEMP	3000K   4000K   5000K (TRI-COLOUR)
LUMEN OUTPUT	630LM-874LM   668LM-943LM   663LM-921LM
INPUT VOLTAGE	240V
BUILT-IN LED	6W OR 9W LED
DIMMING	TRIAC
CRI	90+
BEAM ANGLE	60°
IP RATING	IP20

## PRODUCT ORDERING



ALUMINIUM BLACK				
	<b>HCP-1021911</b>	6w-9w LED	3000K 4000K 5000K	630LM-874LM 668LM-943LM 663LM-921LM
ALUMINIUM WHITE				
	<b>HCP-1031911</b>	6w-9w LED	3000K 4000K 5000K	630LM-874LM 668LM-943LM 663LM-921LM

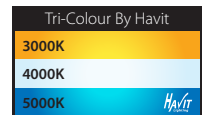
## OTHER DATA










## PRODUCT DATA

SINGLE CIRCUIT TRACK LIGHT	
MATERIAL	ALUMINIUM + PLASTIC
COLOUR/FINISH	MATT BLACK OR MATT WHITE
COLOUR TEMP	3000K   4000K   5000K (TRI-COLOUR)
LUMEN OUTPUT	630LM-874LM   668LM-943LM   663LM-921LM
INPUT VOLTAGE	240V AC
BUILT-IN LED	6W OR 9W LED
DIMMING	TRIAC
CRI	90+
BEAM ANGLE	60°
IP RATING	IP20

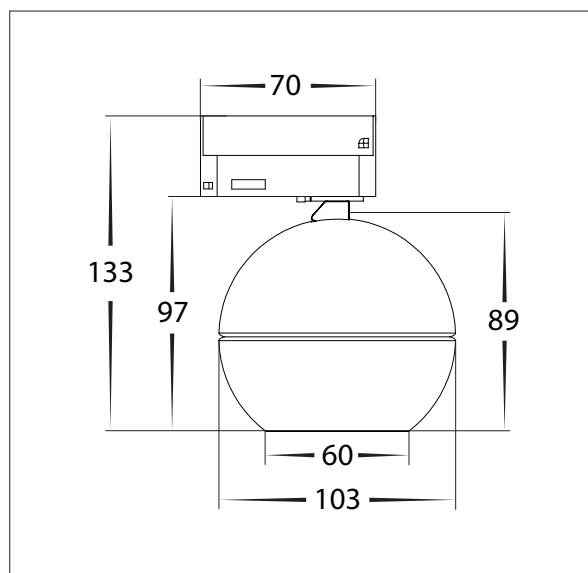


OPTIONAL ACCESSORIES		
	<b>HCP-1050964-GR</b>	GOLD INSERT
	<b>HCP-1050964-CHR</b>	CHROME INSERT
	<b>HCP-1050964-BR</b>	BLACK INSERT

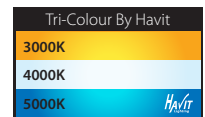
## PRODUCT ORDERING

ALUMINIUM BLACK				
	<b>HCP-1021912</b>	6W-9W LED	3000K 4000K 5000K	630LM-874LM 668LM-943LM 663LM-921LM
ALUMINIUM WHITE				
	<b>HCP-1031912</b>	6W-9W LED	3000K 4000K 5000K	630LM-874LM 668LM-943LM 663LM-921LM

## OTHER DATA





# 6W OR 9W SINGLE CIRCUIT TRACK HEADS



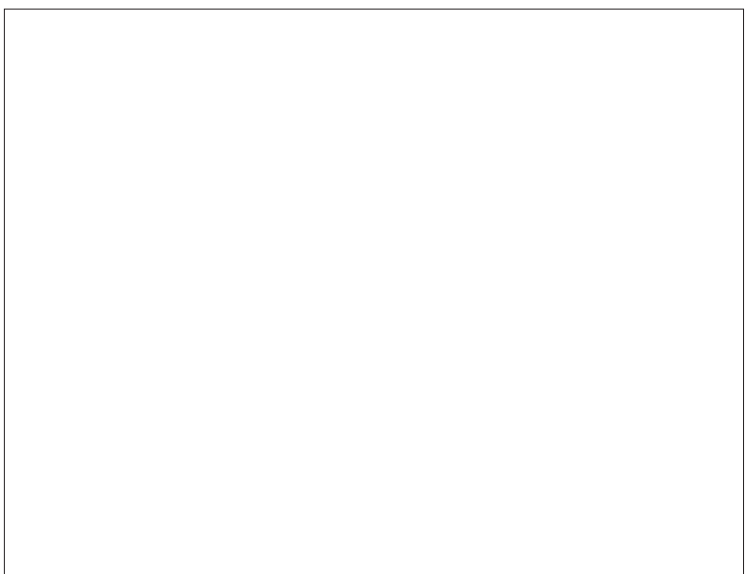
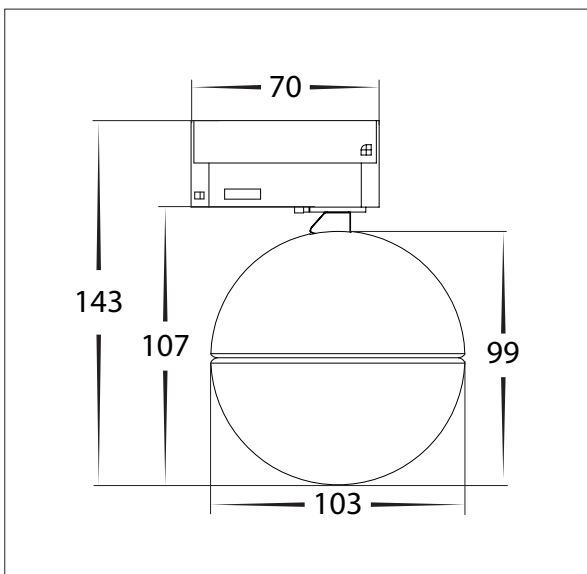
## PRODUCT DATA

SINGLE CIRCUIT TRACK LIGHT	
MATERIAL	ALUMINIUM + PLASTIC
COLOUR/FINISH	MATT BLACK OR MATT WHITE
COLOUR TEMP	3000K   4000K   5000K (TRI-COLOUR)
LUMEN OUTPUT	558LM-767LM   596LM-832LM   595LM-828LM
INPUT VOLTAGE	240V AC
BUILT-IN LED	6W OR 9W LED
DIMMING	TRIAC
CRI	90+
BEAM ANGLE	150°
IP RATING	IP20

## PRODUCT ORDERING

ALUMINIUM BLACK				
	<b>HCP-1021913</b>	6W-9W LED	3000K 4000K 5000K	558LM-767LM 596LM-832LM 595LM-828LM
ALUMINIUM WHITE				
	<b>HCP-1031913</b>	6W-9W LED	3000K 4000K 5000K	558LM-767LM 596LM-832LM 595LM-828LM

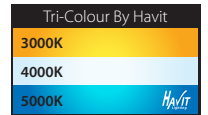
## OTHER DATA










## PRODUCT DATA

SINGLE CIRCUIT TRACK LIGHT	
MATERIAL	ALUMINIUM + PLASTIC
COLOUR/FINISH	MATT BLACK OR MATT WHITE
COLOUR TEMP	3000K   4000K   5000K (TRI-COLOUR)
LUMEN OUTPUT	526LM-742LM   562LM-797LM   559LM-778LM
INPUT VOLTAGE	240V AC
BUILT-IN LED	6W OR 9W LED
DIMMING	TRIAC
CRI	90+
BEAM ANGLE	60°
IP RATING	IP20

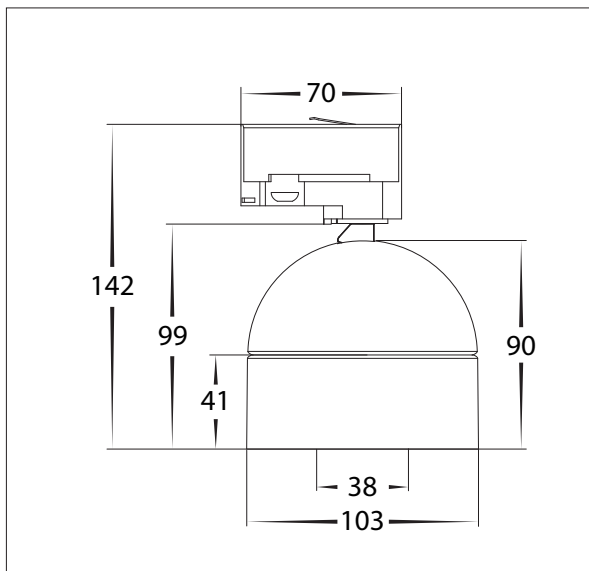


OPTIONAL ACCESSORIES		
	<b>HCP-1051964-GR</b>	GOLD INSERT
	<b>HCP-1051964-CHR</b>	CHROME INSERT
	<b>HCP-1051964-BR</b>	BLACK INSERT

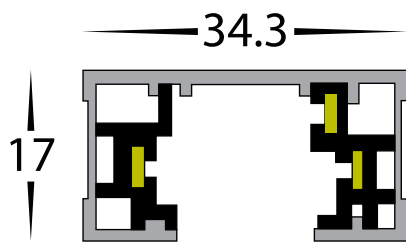
## PRODUCT ORDERING

ALUMINIUM BLACK				
	<b>HCP-1021914</b>	6W-9W LED	3000K 4000K 5000K	526LM-772LM 562LM-797LM 559LM-778LM
ALUMINIUM WHITE				
	<b>HCP-1031914</b>	6W-9W LED	3000K 4000K 5000K	526LM-772LM 562LM-797LM 559LM-778LM

## OTHER DATA


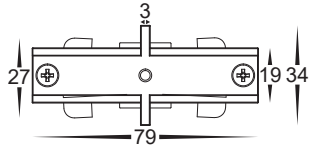

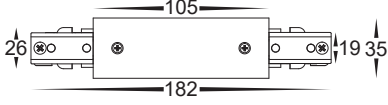

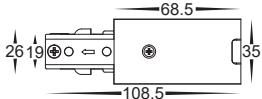


# BLACK SINGLE CIRCUIT TRACK & CONNECTORS



SINGLE CIRCUIT TRACK SYSTEM	
MATERIAL	ALUMINIUM
COLOUR/FINISH	MATT BLACK
INPUT VOLTAGE	240V AC
TRACK SYSTEM	SINGLE CIRCUIT
IP RATING	IP20

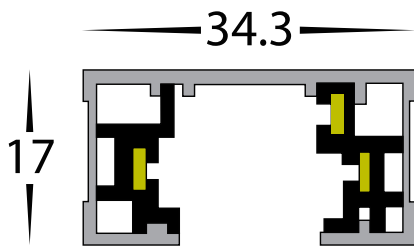
SINGLE CIRCUIT TRACK	
<b>HCP-102110</b>	1 METRE LENGTH INC. LIVE END
<b>HCP-102120</b>	2 METRE LENGTH INC. LIVE END
<b>HCP-102130</b>	3 METRE LENGTH INC. LIVE END

SINGLE CIRCUIT CONNECTORS			
	<b>HCP-102100-SJ</b>	STRAIGHT JOINER	
	<b>HCP-102100-CF</b>	CENTRE FEED	
	<b>HCP-102100-LE</b>	LIVE END	




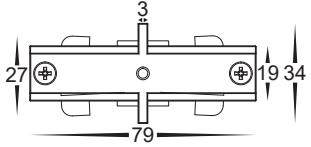

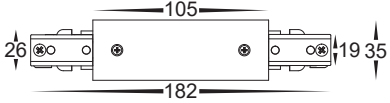

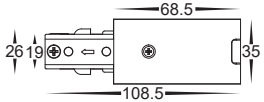
SINGLE CIRCUIT CONNECTORS			
	<p><b>HCP-102100-FC</b></p>	<p>FLEXIBLE JOINER</p>	
	<p><b>HCP-102100-LSC</b></p>	<p>L-SHAPE JOINER</p>	
	<p><b>HCP-102100-TSC</b></p>	<p>T-SHAPE JOINER</p>	
	<p><b>HCP-102100-XSC</b></p>	<p>X-SHAPE JOINER</p>	

# WHITE SINGLE CIRCUIT TRACK & CONNECTORS



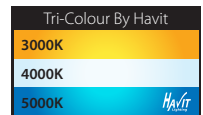
SINGLE CIRCUIT TRACK SYSTEM	
MATERIAL	ALUMINIUM
COLOUR/FINISH	MATT WHITE
INPUT VOLTAGE	240V AC
TRACK SYSTEM	SINGLE CIRCUIT
IP RATING	IP20

SINGLE CIRCUIT TRACK	
<b>HCP-103110</b>	1 METRE LENGTH INC. LIVE END
<b>HCP-103120</b>	2 METRE LENGTH INC. LIVE END
<b>HCP-103130</b>	3 METRE LENGTH INC. LIVE END

SINGLE CIRCUIT CONNECTORS			
	<b>HCP-103100-SJ</b>	STRAIGHT JOINER	
	<b>HCP-103100-CF</b>	CENTRE FEED	
	<b>HCP-103100-LE</b>	LIVE END	

SINGLE CIRCUIT CONNECTORS			
	<p><b>HCP-103100-FC</b></p>	<p>FLEXIBLE JOINER</p>	
	<p><b>HCP-103100-LSC</b></p>	<p>L-SHAPE JOINER</p>	
	<p><b>HCP-103100-TSC</b></p>	<p>T-SHAPE JOINER</p>	
	<p><b>HCP-103100-XSC</b></p>	<p>X-SHAPE JOINER</p>	



# 6W OR 9W THREE CIRCUIT TRACK HEADS



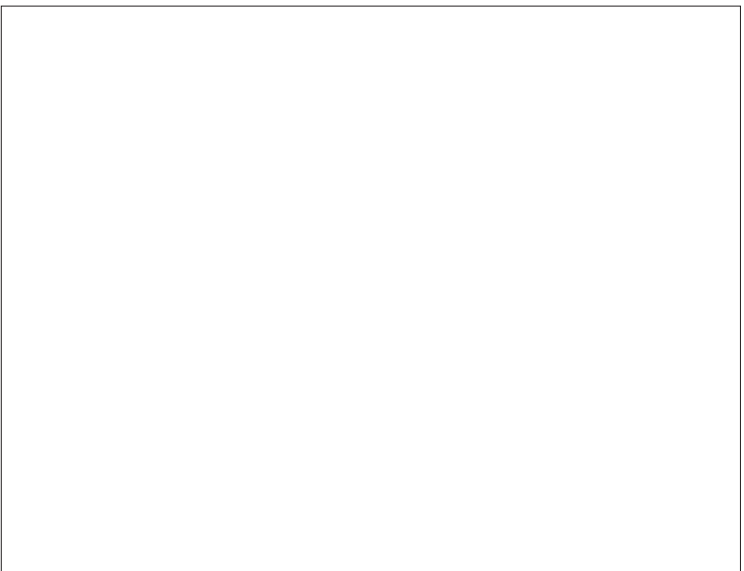
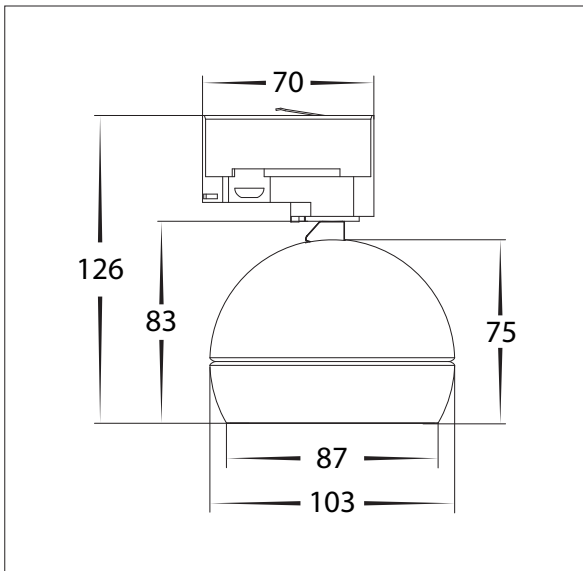
## PRODUCT DATA

THREE CIRCUIT TRACK LIGHT	
MATERIAL	ALUMINIUM + PLASTIC
COLOUR/FINISH	MATT BLACK OR MATT WHITE
COLOUR TEMP	3000K   4000K   5000K (TRI-COLOUR)
LUMEN OUTPUT	630LM-874LM   668LM-943LM   663LM-921LM
INPUT VOLTAGE	240V
BUILT-IN LED	6W OR 9W LED
DIMMING	TRIAC
CRI	90+
BEAM ANGLE	60°
IP RATING	IP20

## PRODUCT ORDERING

ALUMINIUM BLACK				
	<b>HCP-1020911</b>	6w-9w LED	3000K 4000K 5000K	630LM-874LM 668LM-943LM 663LM-921LM
ALUMINIUM WHITE				
	<b>HCP-1030911</b>	6w-9w LED	3000K 4000K 5000K	630LM-874LM 668LM-943LM 663LM-921LM

## OTHER DATA



# 6W OR 9W THREE CIRCUIT TRACK HEADS

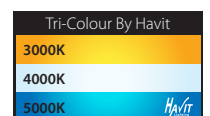
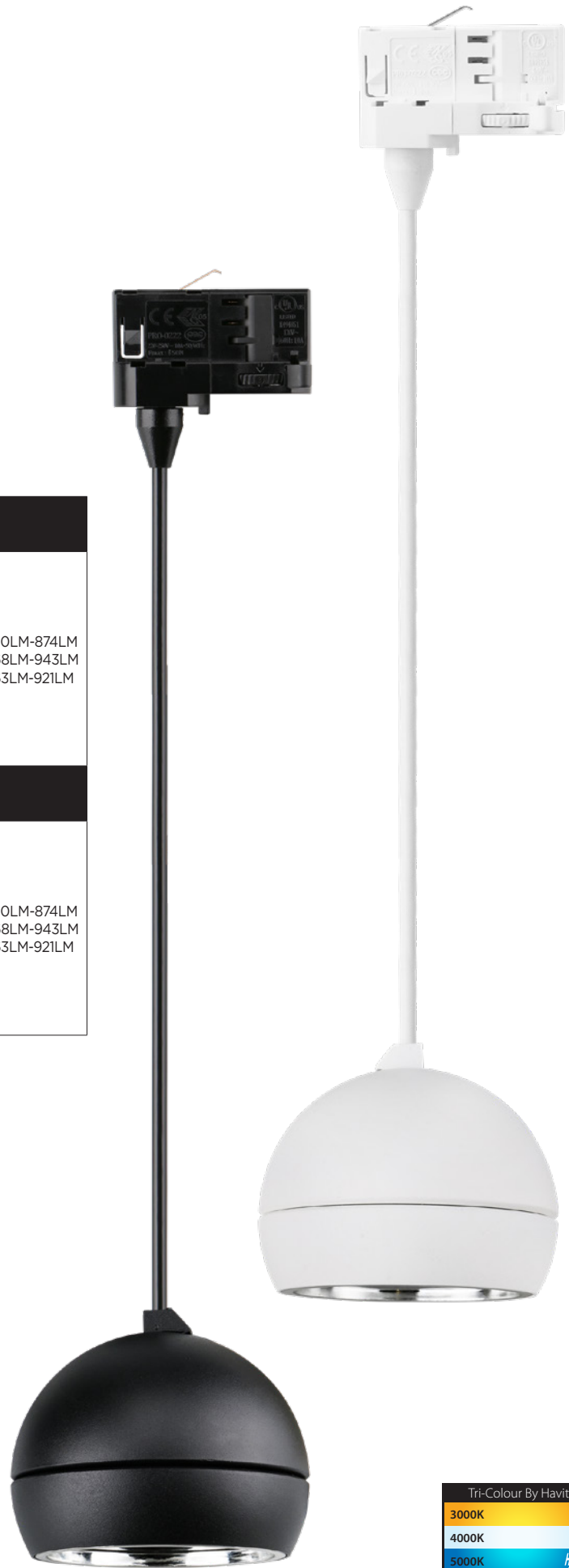
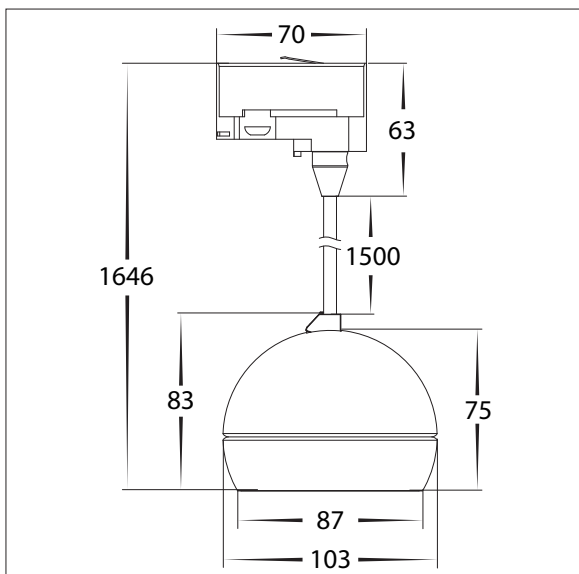
## PRODUCT DATA

THREE CIRCUIT TRACK LIGHT	
MATERIAL	ALUMINIUM + PLASTIC
COLOUR/FINISH	MATT BLACK OR MATT WHITE
CABLE LENGTH	1500MM (ADJUSTABLE)
COLOUR TEMP	3000K   4000K   5000K (TRI-COLOUR)
LUMEN OUTPUT	630LM-874LM   668LM-943LM   663LM-921LM
INPUT VOLTAGE	240V
BUILT-IN LED	6W OR 9W LED
DIMMING	TRIAC
CRI	90+
BEAM ANGLE	60°
IP RATING	IP20

## PRODUCT ORDERING

ALUMINIUM BLACK				
	<b>HCP-1020921</b>	6w-9w LED	3000K 4000K 5000K	630LM-874LM 668LM-943LM 663LM-921LM
ALUMINIUM WHITE				
	<b>HCP-1030921</b>	6w-9w LED	3000K 4000K 5000K	630LM-874LM 668LM-943LM 663LM-921LM

## OTHER DATA

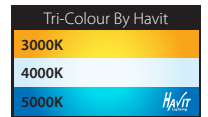





# 6W OR 9W THREE CIRCUIT TRACK HEADS





## PRODUCT DATA

THREE CIRCUIT TRACK LIGHT	
MATERIAL	ALUMINIUM + PLASTIC
COLOUR/FINISH	MATT BLACK OR MATT WHITE
COLOUR TEMP	3000K   4000K   5000K (TRI-COLOUR)
LUMEN OUTPUT	630LM-874LM   668LM-943LM   663LM-921LM
INPUT VOLTAGE	240V AC
BUILT-IN LED	6W OR 9W LED
DIMMING	TRIAC
CRI	90+
BEAM ANGLE	60°
IP RATING	IP20

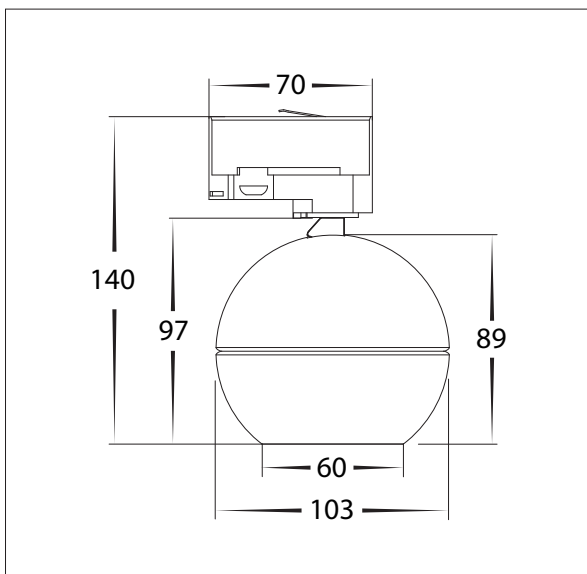


OPTIONAL ACCESSORIES		
	<b>HCP-1050964-GR</b>	GOLD INSERT
	<b>HCP-1050964-CHR</b>	CHROME INSERT
	<b>HCP-1050964-BR</b>	BLACK INSERT

## PRODUCT ORDERING




ALUMINIUM BLACK				
	<b>HCP-1020912</b>	6W-9W LED	3000K 4000K 5000K	630LM-874LM 668LM-943LM 663LM-921LM
ALUMINIUM WHITE				
	<b>HCP-1030912</b>	6W-9W LED	3000K 4000K 5000K	630LM-874LM 668LM-943LM 663LM-921LM

## OTHER DATA





## PRODUCT DATA

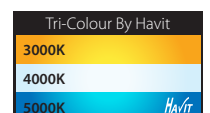
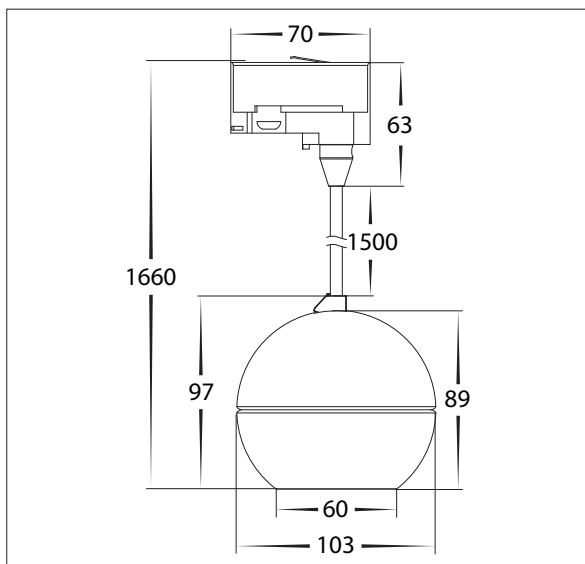
THREE CIRCUIT TRACK LIGHT	
MATERIAL	ALUMINIUM + PLASTIC
COLOUR/FINISH	MATT BLACK OR MATT WHITE
CABLE LENGTH	1500MM (ADJUSTABLE)
COLOUR TEMP	3000K   4000K   5000K (TRI-COLOUR)
LUMEN OUTPUT	570LM-791LM   607LM-859LM   631LM-847LM
INPUT VOLTAGE	240V AC
BUILT-IN LED	6W OR 9W LED
DIMMING	TRIAC
CRI	90+
BEAM ANGLE	60°
IP RATING	IP20

OPTIONAL ACCESSORIES		
	<b>HCP-1050964-GR</b>	GOLD INSERT
	<b>HCP-1050964-CHR</b>	CHROME INSERT
	<b>HCP-1050964-BR</b>	BLACK INSERT

## PRODUCT ORDERING

ALUMINIUM BLACK				
	<b>HCP-1020922</b>	6w-9w LED	3000K 4000K 5000K	630LM-874LM 668LM-943LM 663LM-921LM
ALUMINIUM WHITE				
	<b>HCP-1030922</b>	6w-9w LED	3000K 4000K 5000K	630LM-874LM 668LM-943LM 663LM-921LM

## OTHER DATA



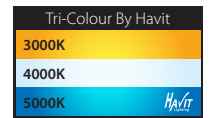
# 6W OR 9W THREE CIRCUIT TRACK HEADS





## PRODUCT DATA

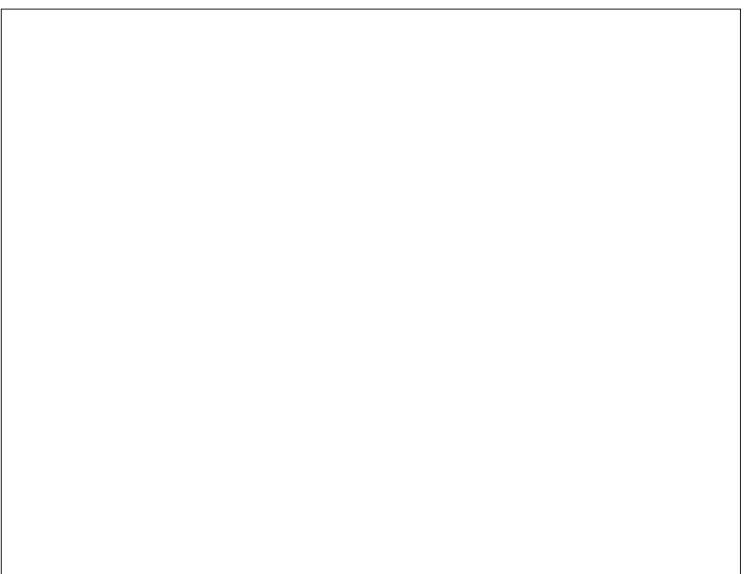
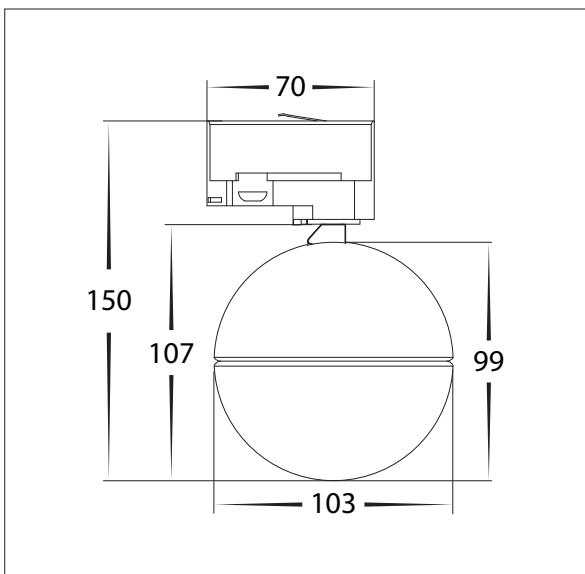
THREE CIRCUIT TRACK LIGHT	
MATERIAL	ALUMINIUM + PLASTIC
COLOUR/FINISH	MATT BLACK OR MATT WHITE
COLOUR TEMP	3000K   4000K   5000K (TRI-COLOUR)
LUMEN OUTPUT	558LM-767LM   596LM-832LM   595LM-828LM
INPUT VOLTAGE	240V AC
BUILT-IN LED	6W OR 9W LED
DIMMING	TRIAC
CRI	90+
BEAM ANGLE	150°
IP RATING	IP20

## PRODUCT ORDERING



ALUMINIUM BLACK				
	<b>HCP-1020913</b>	6W-9W LED	3000K 4000K 5000K	558LM-767LM 596LM-832LM 595LM-828LM
ALUMINIUM WHITE				
	<b>HCP-1030913</b>	6W-9W LED	3000K 4000K 5000K	558LM-767LM 596LM-832LM 595LM-828LM

## OTHER DATA





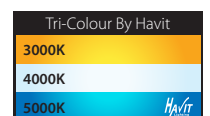
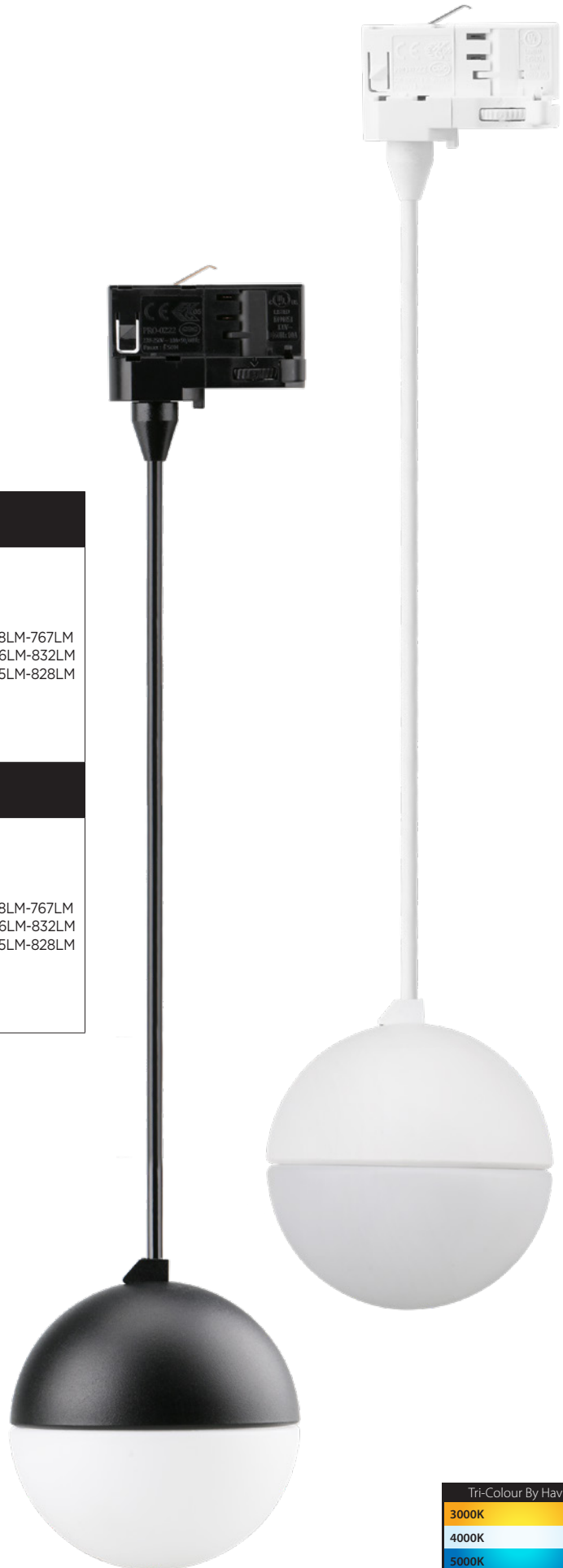
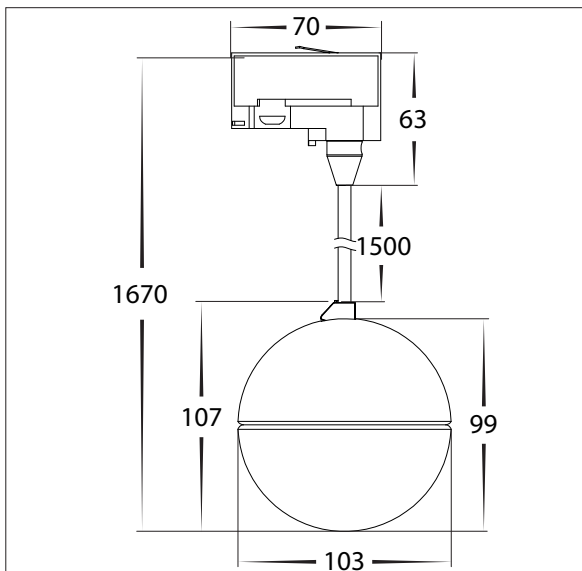
## PRODUCT DATA

THREE CIRCUIT TRACK LIGHT	
MATERIAL	ALUMINIUM + PLASTIC
COLOUR/FINISH	MATT BLACK OR MATT WHITE
CABLE LENGTH	1500MM (ADJUSTABLE)
COLOUR TEMP	3000K   4000K   5000K (TRI-COLOUR)
LUMEN OUTPUT	558LM-767LM   596LM-832LM   595LM-828LM
INPUT VOLTAGE	240V AC
BUILT-IN LED	6W OR 9W LED
DIMMING	TRIAC
CRI	90+
BEAM ANGLE	150°
IP RATING	IP20

## PRODUCT ORDERING

ALUMINIUM BLACK				
	<b>HCP-1020923</b>	6W-9W LED	3000K 4000K 5000K	558LM-767LM 596LM-832LM 595LM-828LM
ALUMINIUM WHITE				
	<b>HCP-1030923</b>	6W-9W LED	3000K 4000K 5000K	558LM-767LM 596LM-832LM 595LM-828LM

## OTHER DATA






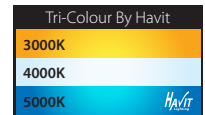
# 6W OR 9W THREE CIRCUIT TRACK HEADS





## PRODUCT DATA

THREE CIRCUIT TRACK LIGHT	
MATERIAL	ALUMINIUM + PLASTIC
COLOUR/FINISH	MATT BLACK OR MATT WHITE
COLOUR TEMP	3000K   4000K   5000K (TRI-COLOUR)
LUMEN OUTPUT	526LM-742LM   562LM-797LM   559LM-778LM
INPUT VOLTAGE	240V AC
BUILT-IN LED	6W OR 9W LED
DIMMING	TRIAC
CRI	90+
BEAM ANGLE	60°
IP RATING	IP20

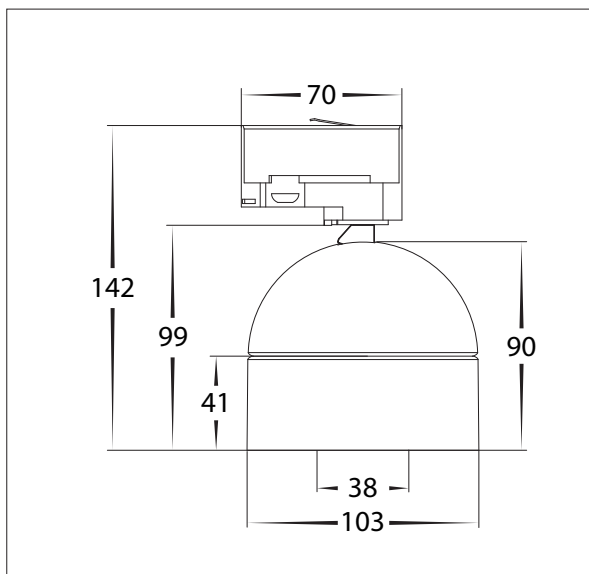
OPTIONAL ACCESSORIES		
	<b>HCP-1051964-GR</b>	GOLD INSERT
	<b>HCP-1051964-CHR</b>	CHROME INSERT
	<b>HCP-1051964-BR</b>	BLACK INSERT



## PRODUCT ORDERING




ALUMINIUM BLACK				
	<b>HCP-1020914</b>	6W-9W LED	3000K 4000K 5000K	526LM-772LM 562LM-797LM 559LM-778LM
ALUMINIUM WHITE				
	<b>HCP-1030914</b>	6W-9W LED	3000K 4000K 5000K	526LM-772LM 562LM-797LM 559LM-778LM

## OTHER DATA





## PRODUCT DATA

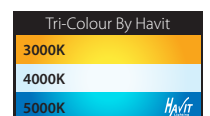
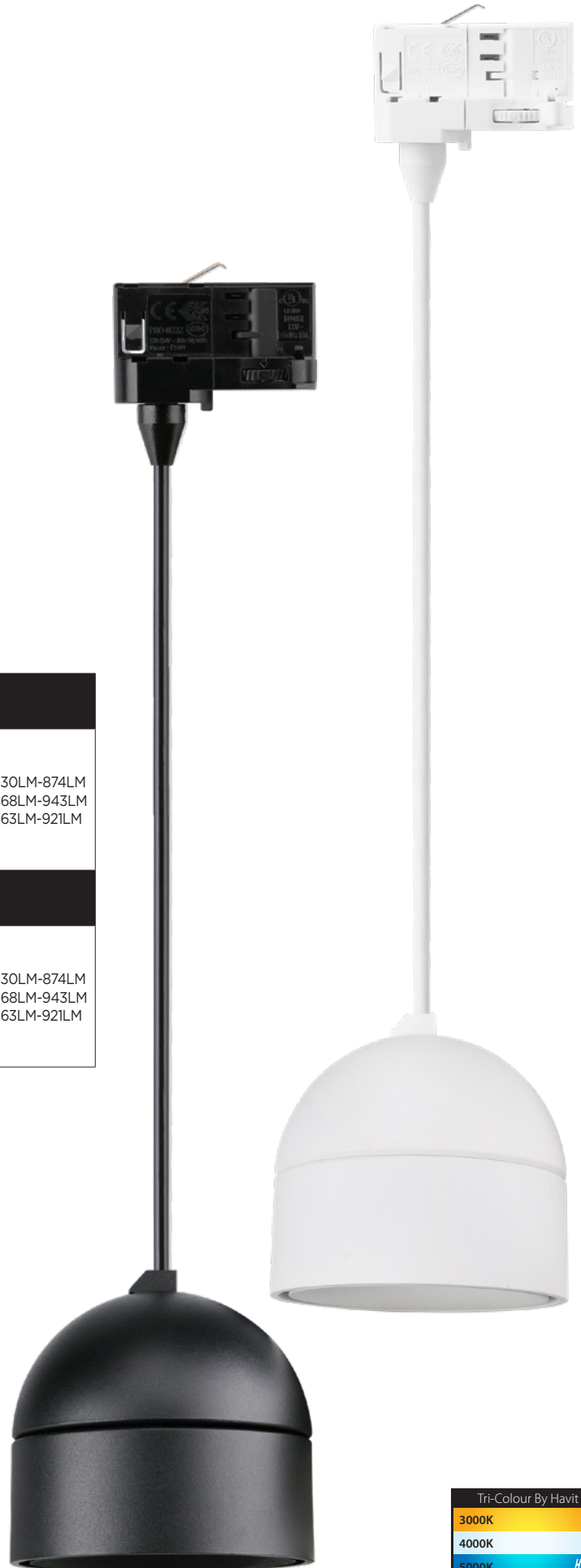
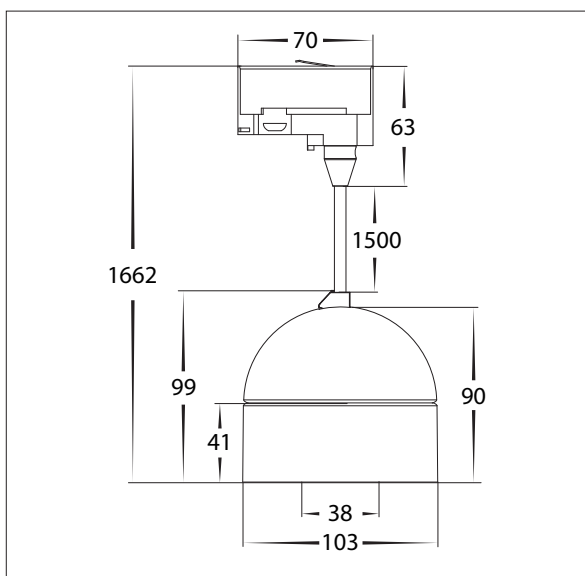
THREE CIRCUIT TRACK LIGHT	
MATERIAL	ALUMINIUM + PLASTIC
COLOUR/FINISH	MATT BLACK OR MATT WHITE
CABLE LENGTH	1500MM (ADJUSTABLE)
COLOUR TEMP	3000K   4000K   5000K (TRI-COLOUR)
LUMEN OUTPUT	526LM-742LM   562LM-797LM   559LM-778LM
INPUT VOLTAGE	240V AC
BUILT-IN LED	6W OR 9W LED
DIMMING	TRIAC
CRI	90+
BEAM ANGLE	60°
IP RATING	IP20

OPTIONAL ACCESSORIES		
	<b>HCP-1051964-GR</b>	GOLD INSERT
	<b>HCP-1051964-CHR</b>	CHROME INSERT
	<b>HCP-1051964-BR</b>	BLACK INSERT

## PRODUCT ORDERING

ALUMINIUM BLACK				
	<b>HCP-1020924</b>	6w-9w LED	3000K 4000K 5000K	630LM-874LM 668LM-943LM 663LM-921LM
ALUMINIUM WHITE				
	<b>HCP-1030924</b>	6w-9w LED	3000K 4000K 5000K	630LM-874LM 668LM-943LM 663LM-921LM

## OTHER DATA



# 10W THREE CIRCUIT TRACK HEADS



## PRODUCT DATA

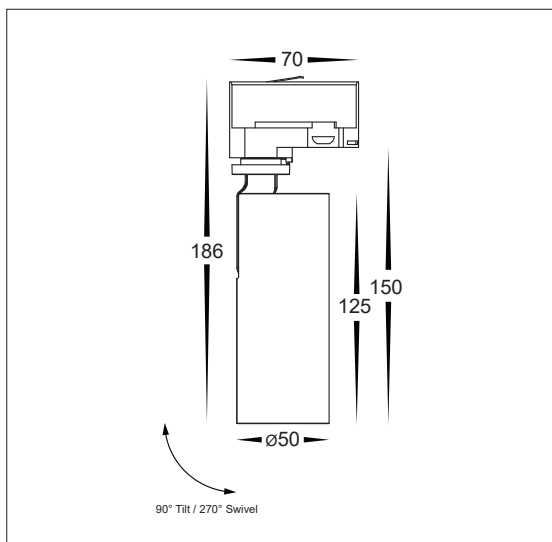
THREE CIRCUIT TRACK LIGHT	
MATERIAL	ALUMINIUM
COLOUR/FINISH	MATT BLACK OR MATT WHITE
COLOUR TEMP	2700K   3000K   4000K   5000K   5700K
LUMEN OUTPUT	518LM   532LM   582LM   614LM   626LM
INPUT VOLTAGE	240V AC
BUILT-IN LED	10W
DIMMING	TRIAC
CRI	RA >90
BEAM ANGLE	60°
IP RATING	IP20

## PRODUCT ORDERING

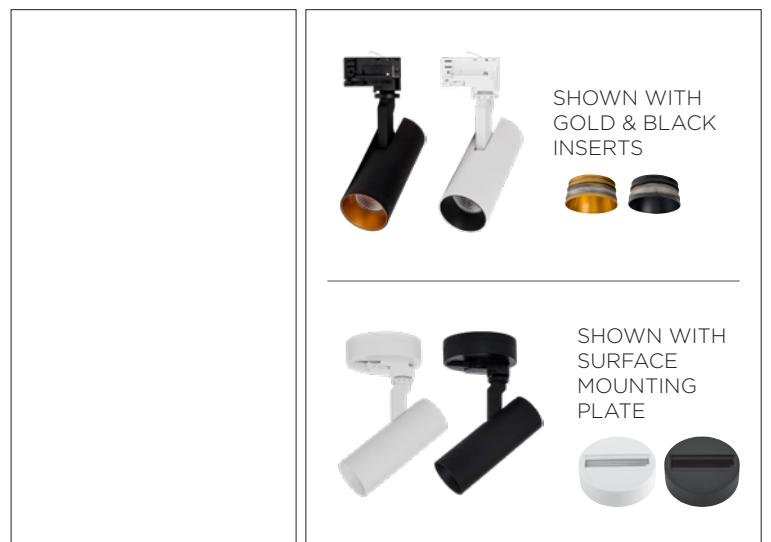
ALUMINIUM BLACK				
	<b>HCP-1022102</b>	10W LED	2700K 3000K 4000K 5000K 5700K	518LM 532LM 582LM 614LM 626LM
ALUMINIUM WHITE				
	<b>HCP-1032102</b>	10W LED	2700K 3000K 4000K 5000K 5700K	518LM 532LM 582LM 614LM 626LM
OPTIONAL LENS & HONEYCOMB				
	<b>HCP-105001-15</b>	18° LENS		
	<b>HCP-105001-24</b>	24° LENS		
	<b>HCP-105001-38</b>	38° LENS		
	<b>HCP-105001-HC</b>	HONEYCOMB INSERT		

OPTIONAL ACCESSORIES		
	<b>HCP-105001-GR</b>	GOLD INSERT
	<b>HCP-105001-BR</b>	BLACK INSERT
	<b>HCP-102300-SM</b>	SURFACE MOUNTING PLATE
	<b>HCP-103300-SM</b>	SURFACE MOUNTING PLATE

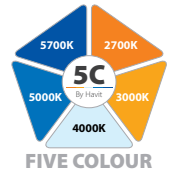
## OTHER DATA



## OPTIONAL ACCESSORIES




# 15W THREE CIRCUIT TRACK HEADS



## PRODUCT DATA

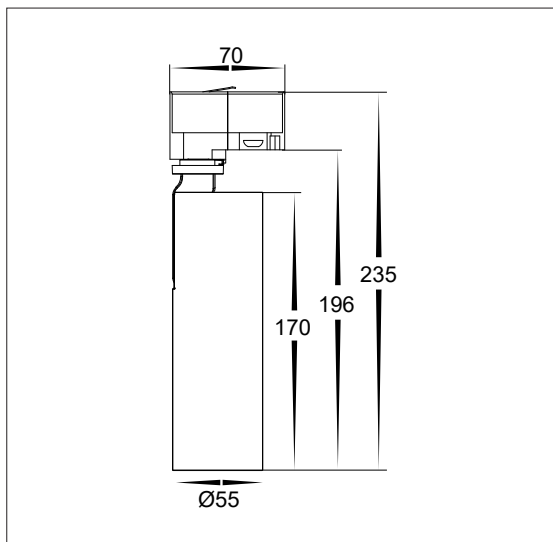
THREE CIRCUIT TRACK LIGHT	
MATERIAL	ALUMINIUM
COLOUR/FINISH	MATT BLACK OR MATT WHITE
COLOUR TEMP	2700K   3000K   4000K   5000K   5700K
LUMEN OUTPUT	819LM   879LM   973LM   1000LM   876LM
INPUT VOLTAGE	240V
BUILT-IN LED	15W
DIMMING	TRIAC
CRI	RA>90
BEAM ANGLE	60°
IP RATING	IP20

## PRODUCT ORDERING

ALUMINIUM BLACK				
	<b>HCP-1022202</b>	15W LED	2700K 3000K 4000K 5000K 5700K	819LM 879LM 973LM 1000LM 876LM
ALUMINIUM WHITE				
	<b>HCP-1032202</b>	15W LED	2700K 3000K 4000K 5000K 5700K	819LM 879LM 973LM 1000LM 876LM
OPTIONAL LENS & HONEYCOMB				
	<b>HCP-105003-18</b>	18° LENS		
	<b>HCP-105003-24</b>	24° LENS		
	<b>HCP-105003-36</b>	36° LENS		
	<b>HCP-105003-HC</b>	HONEYCOMB INSERT		

OPTIONAL ACCESSORIES		
	<b>HCP-105003-GR</b>	GOLD INSERT
	<b>HCP-105003-BR</b>	BLACK INSERT
	<b>HCP-102300-SM</b>	SURFACE MOUNTING PLATE
	<b>HCP-103300-SM</b>	SURFACE MOUNTING PLATE

## OTHER DATA



## OPTIONAL ACCESSORIES







# 25W THREE CIRCUIT TRACK HEADS



## PRODUCT DATA

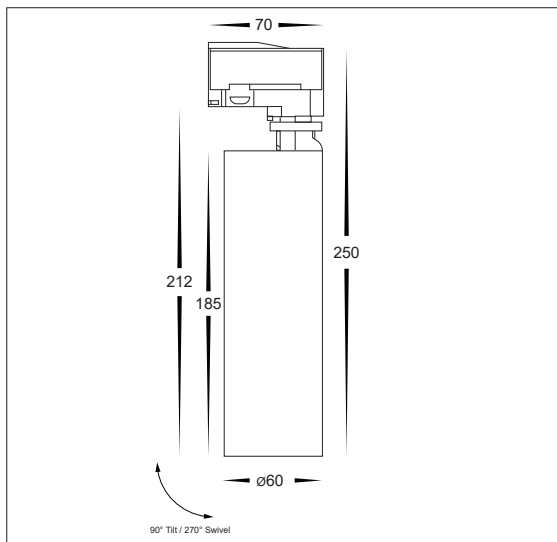
THREE CIRCUIT TRACK LIGHT	
MATERIAL	ALUMINIUM
COLOUR/FINISH	MATT BLACK OR MATT WHITE
COLOUR TEMP	3000K   4000K   5000K
LUMEN OUTPUT	2200LM   2230LM   2280LM
INPUT VOLTAGE	240V AC
BUILT-IN LED	25W
DIMMING	TRIAC
CRI	RA >90
BEAM ANGLE	60°
IP RATING	IP20

## PRODUCT ORDERING

ALUMINIUM BLACK				
	<b>HCP-1022531</b>	3000K	25w LED	2200LM
	<b>HCP-1022541</b>	4000K	25w LED	2230LM
	<b>HCP-1022551</b>	5000K	25w LED	2280LM
ALUMINIUM WHITE				
	<b>HCP-1032531</b>	3000K	25w LED	2200LM
	<b>HCP-1032541</b>	4000K	25w LED	2230LM
	<b>HCP-1032551</b>	5000K	25w LED	2280LM
OPTIONAL LENS & HONEYCOMB				
	<b>HCP-105000-18</b>	18° LENS		
	<b>HCP-105000-25</b>	25° LENS		
	<b>HCP-105000-36</b>	36° LENS		
	<b>HCP-105000-HC</b>	HONEYCOMB INSERT		

OPTIONAL ACCESSORIES		
	<b>HCP-105000-GR</b>	GOLD INSERT
	<b>HCP-105000-BR</b>	BLACK INSERT
	<b>HCP-102300-SM</b>	SURFACE MOUNTING PLATE
	<b>HCP-103300-SM</b>	SURFACE MOUNTING PLATE

## OTHER DATA



## OPTIONAL ACCESSORIES



# 35W THREE CIRCUIT TRACK HEADS




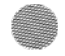


## PRODUCT DATA

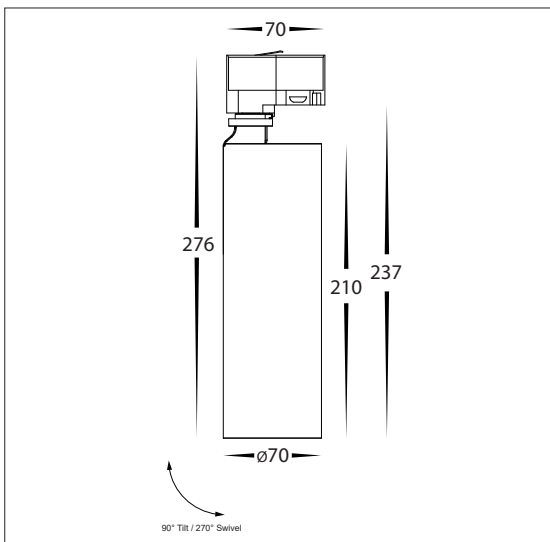
THREE CIRCUIT TRACK LIGHT	
MATERIAL	ALUMINIUM
COLOUR/FINISH	MATT BLACK OR MATT WHITE
COLOUR TEMP	3000K   4000K   5000K
LUMEN OUTPUT	3150LM   3500LM   3360LM
INPUT VOLTAGE	240V
BUILT-IN LED	35W
DIMMING	TRIAC
CRI	90+
BEAM ANGLE	60°
IP RATING	IP20

OPTIONAL ACCESSORIES		
	<b>HCP-105002-GR</b>	GOLD INSERT
	<b>HCP-105002-BR</b>	BLACK INSERT
	<b>HCP-102300-SM</b>	SURFACE MOUNTING PLATE
	<b>HCP-103300-SM</b>	SURFACE MOUNTING PLATE

## PRODUCT ORDERING

ALUMINIUM BLACK				
	<b>HCP-1022731</b>	3000K	3150LM	35w LED
	<b>HCP-1022741</b>	4000K	3500LM	
	<b>HCP-1022751</b>	5000K	3360LM	
ALUMINIUM WHITE				
	<b>HCP-1032731</b>	3000K	3150LM	35w LED
	<b>HCP-1032741</b>	4000K	3500LM	
	<b>HCP-1032751</b>	5000K	3360LM	
OPTIONAL LENS & HONEYCOMB				
	<b>HCP-105002-24</b>	24° LENS		
	<b>HCP-105002-36</b>	36° LENS		
	<b>HCP-105002-HC</b>	HONEYCOMB INSERT		

## OTHER DATA



## OPTIONAL ACCESSORIES



# 7W THREE CIRCUIT ROTATABLE TRACK HEADS



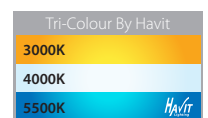
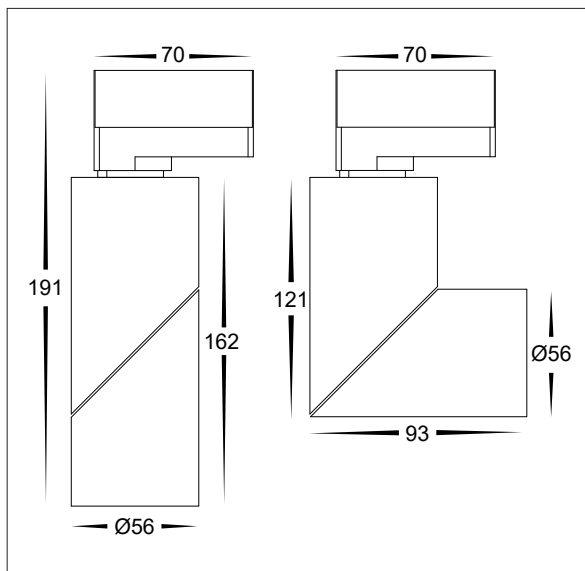
## PRODUCT DATA

THREE CIRCUIT TRACK LIGHT	
MATERIAL	ALUMINIUM
COLOUR/FINISH	MATT BLACK OR MATT WHITE
COLOUR TEMP	3000K   4000K   5500K (TRI-COLOUR)
LUMEN OUTPUT	560LM   595LM   630LM
INPUT VOLTAGE	240V
BUILT-IN LED	7W
DIMMING	TRIAC
CRI	90+
BEAM ANGLE	36°
IP RATING	IP20

## PRODUCT ORDERING

ALUMINIUM BLACK				
	<b>HCP-1022101</b>	7w LED	3000K 4000K 5500K	560LM 595LM 630LM
ALUMINIUM WHITE				
	<b>HCP-1032101</b>	7w LED	3000K 4000K 5500K	560LM 595LM 630LM

## OTHER DATA





# 12W THREE CIRCUIT ROTATABLE TRACK HEADS



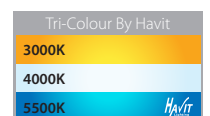
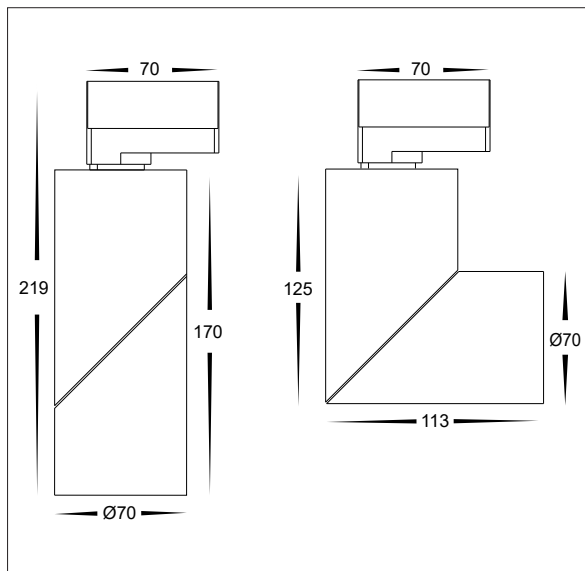
## PRODUCT DATA

THREE CIRCUIT TRACK LIGHT	
MATERIAL	ALUMINIUM
COLOUR/FINISH	MATT BLACK OR MATT WHITE
COLOUR TEMP	3000K   4000K   5500K (TRI-COLOUR)
LUMEN OUTPUT	790LM   855LM   881LM
INPUT VOLTAGE	240V
BUILT-IN LED	12W
DIMMING	TRIAC
CRI	90+
BEAM ANGLE	36°
IP RATING	IP20

## PRODUCT ORDERING

ALUMINIUM BLACK				
	<b>HCP-1022201</b>	12w LED	3000K 4000K 5500K	790LM 855LM 881LM
ALUMINIUM WHITE				
	<b>HCP-1032201</b>	12w LED	3000K 4000K 5500K	790LM 855LM 881LM

## OTHER DATA





# 10W SINGLE CIRCUIT DALI TRACK LIGHT



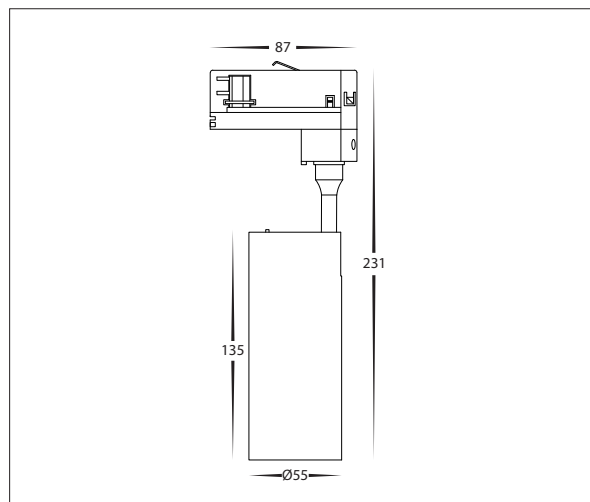
## PRODUCT DATA




SINGLE CIRCUIT DALI TRACK LIGHT	
MATERIAL	ALUMINIUM + PLASTIC
COLOUR/FINISH	MATT BLACK OR MATT WHITE
COLOUR TEMP	2700K   3000K   4000K   5000K   5700K - 5 COLOUR
LUMEN OUTPUT	759LM   789LM   870LM   940LM   985LM
INPUT VOLTAGE	240V AC
BUILT-IN LED	10W LED
DIMMING	DALI
CRI	90+
BEAM ANGLE	36°
IP RATING	IP20

## PRODUCT ORDERING

ALUMINIUM BLACK				
	<b>HCP-1021014</b>	10w LED	2700K 3000K 4000K 5000K 5700K	759LM 789LM 870LM 940LM 985LM
ALUMINIUM WHITE				
	<b>HCP-1031014</b>	10w LED	2700K 3000K 4000K 5000K 5700K	759LM 789LM 870LM 940LM 985LM

## OTHER DATA



OPTIONAL ACCESSORIES		
	<b>HCP-105007-BR</b>	BLACK INSERT + HONEYCOMB LENS
	<b>HCP-105007-GR</b>	GOLD INSERT + HONEYCOMB LENS
	<b>HCP-105007-15</b>	15° LENS
	<b>HCP-105007-24</b>	24° LENS





# 20W SINGLE CIRCUIT DALI TRACK LIGHT



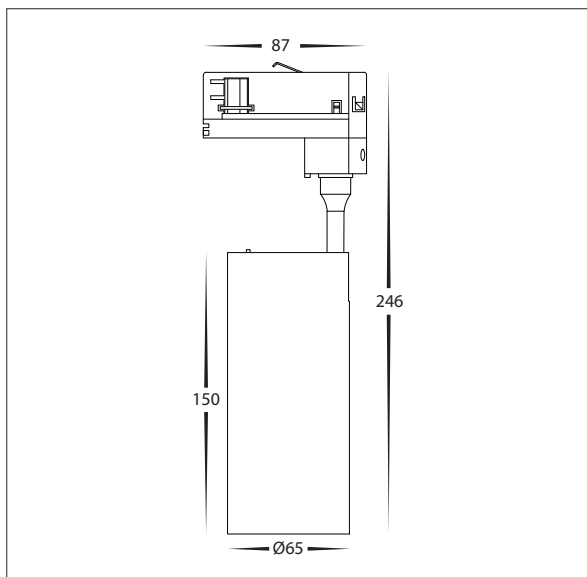
## PRODUCT DATA





SINGLE CIRCUIT DALI TRACK LIGHT	
MATERIAL	ALUMINIUM + PLASTIC
COLOUR/FINISH	MATT BLACK OR MATT WHITE
COLOUR TEMP	2700K   3000K   4000K   5000K   5700K - 5 COLOUR
LUMEN OUTPUT	1074LM   1130LM   1196LM   1241LM   1255LM
INPUT VOLTAGE	240V AC
BUILT-IN LED	20W LED
DIMMING	DALI
CRI	90+
BEAM ANGLE	60°
IP RATING	IP20

## PRODUCT ORDERING

ALUMINIUM BLACK				
	<b>HCP-1022004</b>	20W LED	2700K 3000K 4000K 5000K 5700K	1074LM 1130LM 1196LM 1241LM 1255LM
ALUMINIUM WHITE				
	<b>HCP-1032004</b>	20W LED	2700K 3000K 4000K 5000K 5700K	1074LM 1130LM 1196LM 1241LM 1255LM

## OTHER DATA



OPTIONAL ACCESSORIES		
	<b>HCP-105004-BR</b>	BLACK INSERT + HONEYCOMB LENS
	<b>HCP-105004-GR</b>	GOLD INSERT + HONEYCOMB LENS
	<b>HCP-105004-WR</b>	WHITE INSERT + HONEYCOMB LENS
	<b>HCP-105004-15</b>	15° LENS
	<b>HCP-105004-24</b>	24° LENS
	<b>HCP-105004-36</b>	36° LENS







# 30W SINGLE CIRCUIT DALI TRACK LIGHT



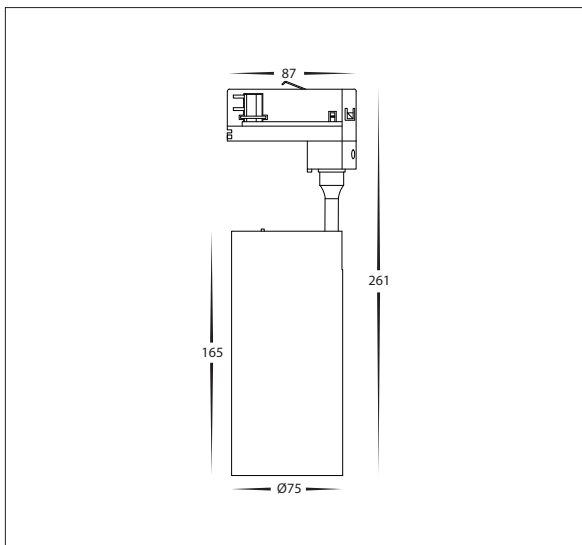
## PRODUCT DATA





SINGLE CIRCUIT DALI TRACK LIGHT	
MATERIAL	ALUMINIUM + PLASTIC
COLOUR/FINISH	MATT BLACK OR MATT WHITE
COLOUR TEMP	2700K   3000K   4000K   5000K   5700K - 5 COLOUR
LUMEN OUTPUT	1663LM   1706LM   1792LM   1840LM   1920LM
INPUT VOLTAGE	240V AC
BUILT-IN LED	30W LED
DIMMING	DALI
CRI	90+
BEAM ANGLE	60°
IP RATING	IP20

## PRODUCT ORDERING

ALUMINIUM BLACK				
	<b>HCP-1023004</b>	30W LED	2700K 3000K 4000K 5000K 5700K	1663LM 1706LM 1792LM 1840LM 1920LM
ALUMINIUM WHITE				
	<b>HCP-1033004</b>	30W LED	2700K 3000K 4000K 5000K 5700K	1663LM 1706LM 1792LM 1840LM 1920LM

## OTHER DATA



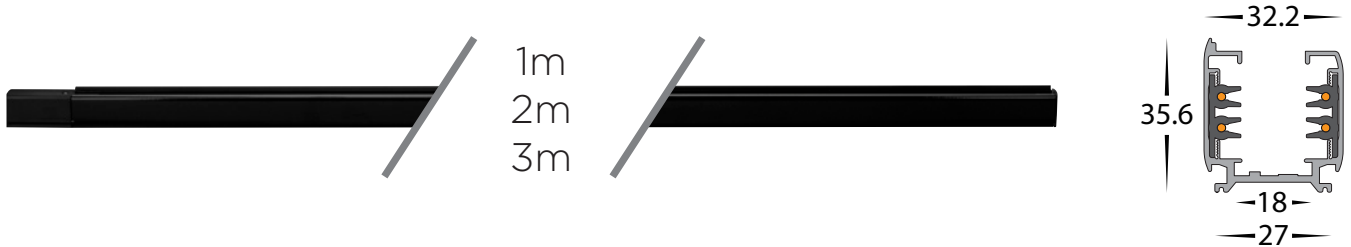
OPTIONAL ACCESSORIES		
	<b>HCP-105005-BR</b>	BLACK INSERT + HONEYCOMB LENS
	<b>HCP-105005-GR</b>	GOLD INSERT + HONEYCOMB LENS
	<b>HCP-105005-WR</b>	WHITE INSERT + HONEYCOMB LENS
	<b>HCP-105005-15</b>	15° LENS
	<b>HCP-105005-24</b>	24° LENS
	<b>HCP-105005-36</b>	36° LENS


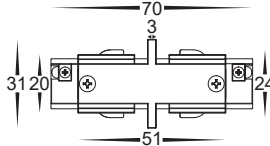

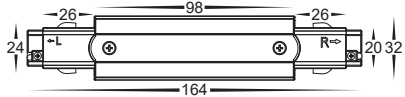

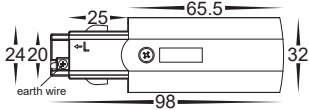

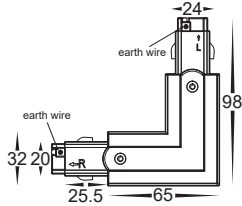
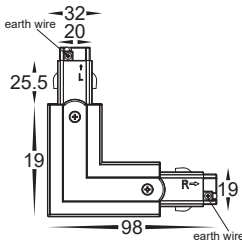


# BLACK THREE CIRCUIT / DALI SINGLE CIRCUIT TRACK & CONNECTORS

THREE CIRCUIT / DALI SINGLE CIRCUIT TRACK SYSTEM	
MATERIAL	ALUMINIUM
COLOUR/FINISH	MATT BLACK
INPUT VOLTAGE	240V AC
TRACK SYSTEM	3 CIRCUIT / DALI SINGLE CIRCUIT
IP RATING	IP20


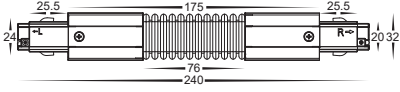

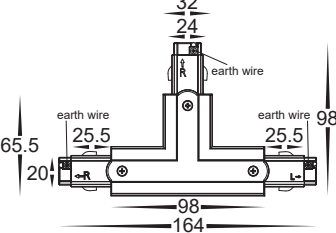
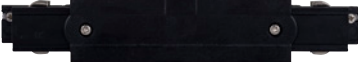
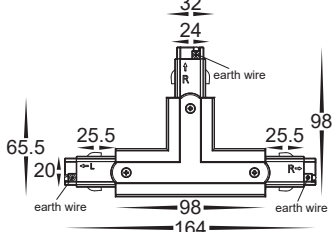

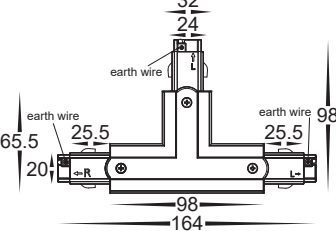

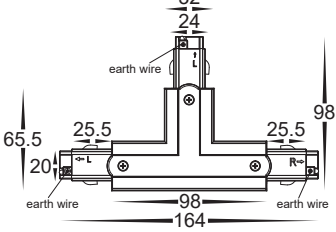
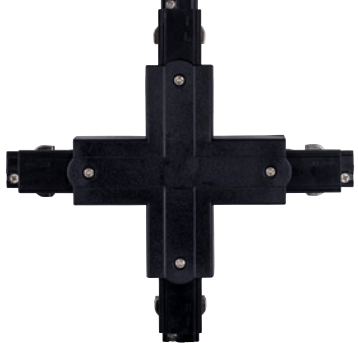
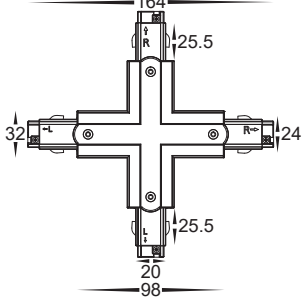
THREE CIRCUIT / DALI SINGLE CIRCUIT TRACK	
<b>HCP-102310</b>	1 METRE LENGTH INC. LIVE END
<b>HCP-102320</b>	2 METRE LENGTH INC. LIVE END
<b>HCP-102330</b>	3 METRE LENGTH INC. LIVE END



THREE CIRCUIT / DALI SINGLE CIRCUIT TRACK CONNECTORS			
	<b>HCP-102300-SJ</b>	STRAIGHT JOINER	
	<b>HCP-102300-CF</b>	CENTRE FEED	
	<b>HCP-102300-LE</b>	LIVE END	
	<b>HCP-102300-LSCL</b>	L-SHAPE JOINER	
	<b>HCP-102300-LSCR</b>	L-SHAPE JOINER	

Images are for reference only

## THREE CIRCUIT / DALI SINGLE CIRCUIT TRACK CONNECTORS

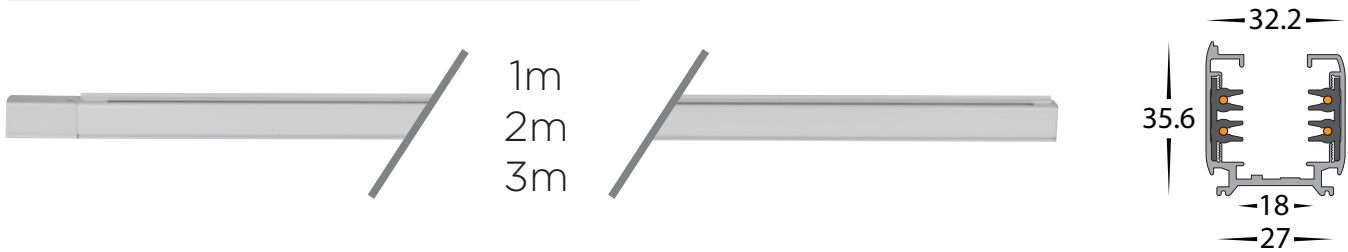
	<p><b>HCP-102300-FC</b></p>	<p>FLEXIBLE JOINER</p>	
	<p><b>HCP-102300-TSCL1</b></p>	<p>T-SHAPE JOINER</p>	
	<p><b>HCP-102300-TSCL2</b></p>	<p>T-SHAPE JOINER</p>	
	<p><b>HCP-102300-TSCR1</b></p>	<p>T-SHAPE JOINER</p>	
	<p><b>HCP-102300-TSCR2</b></p>	<p>T-SHAPE JOINER</p>	
	<p><b>HCP-102300-XSC</b></p>	<p>X-SHAPE JOINER</p>	

Images are for reference only


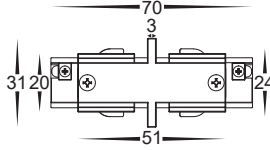
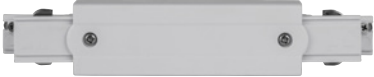
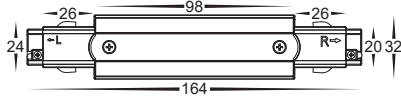

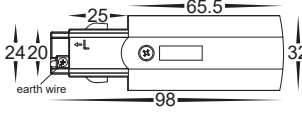

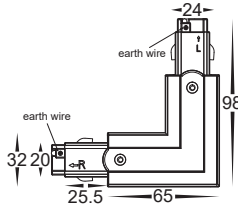
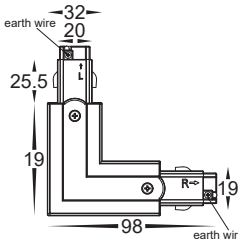
# WHITE THREE CIRCUIT / DALI SINGLE CIRCUIT TRACK & CONNECTORS

THREE CIRCUIT / DALI SINGLE CIRCUIT TRACK SYSTEM	
MATERIAL	ALUMINIUM
COLOUR/FINISH	MATT WHITE
INPUT VOLTAGE	240V AC
TRACK SYSTEM	3 CIRCUIT / DALI SINGLE CIRCUIT
IP RATING	IP20

THREE CIRCUIT / DALI SINGLE CIRCUIT TRACK	
<b>HCP-103310</b>	1 METRE LENGTH INC. LIVE END
<b>HCP-103320</b>	2 METRE LENGTH INC. LIVE END
<b>HCP-103330</b>	3 METRE LENGTH INC. LIVE END


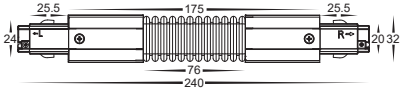
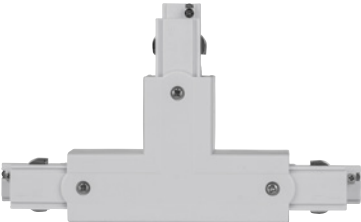
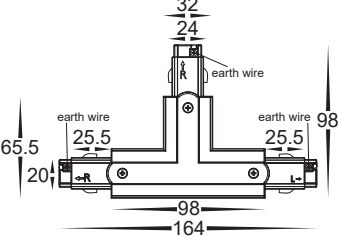

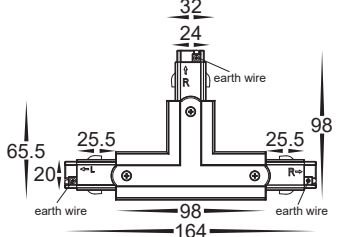
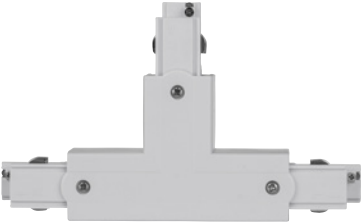
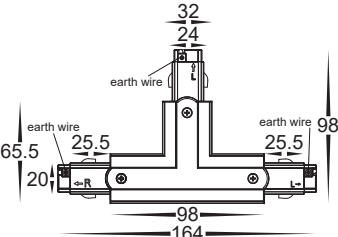
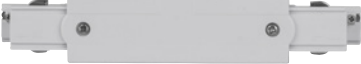
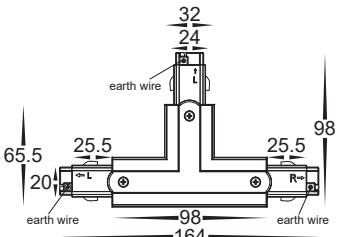
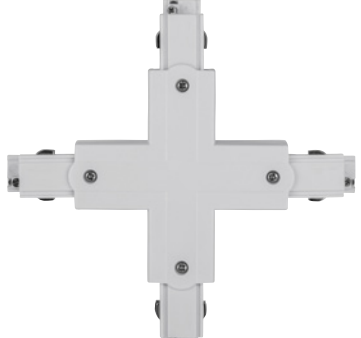
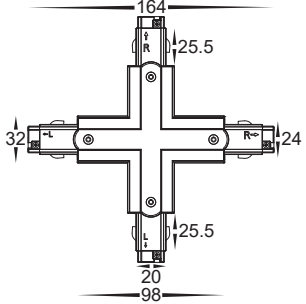


## THREE CIRCUIT / DALI SINGLE CIRCUIT TRACK CONNECTORS

	<b>HCP-103300-SJ</b>	STRAIGHT JOINER	
	<b>HCP-103300-CF</b>	CENTRE FEED	
	<b>HCP-103300-LE</b>	LIVE END	
	<b>HCP-103300-LSCL</b>	L-SHAPE JOINER	
	<b>HCP-103300-LSCR</b>	L-SHAPE JOINER	



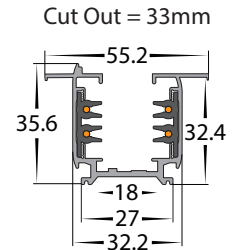
## THREE CIRCUIT / DALI SINGLE CIRCUIT TRACK CONNECTORS

	<p><b>HCP-103300-FC</b></p>	<p>FLEXIBLE JOINER</p>	
	<p><b>HCP-103300-TSCL1</b></p>	<p>T-SHAPE JOINER</p>	
	<p><b>HCP-103300-TSCL2</b></p>	<p>T-SHAPE JOINER</p>	
	<p><b>HCP-103300-TSCR1</b></p>	<p>T-SHAPE JOINER</p>	
	<p><b>HCP-103300-TSCR2</b></p>	<p>T-SHAPE JOINER</p>	
	<p><b>HCP-103300-XSC</b></p>	<p>X-SHAPE JOINER</p>	


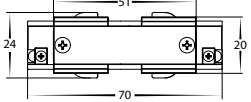
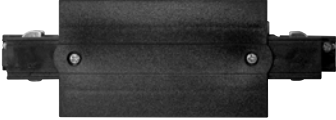
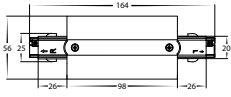
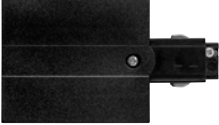
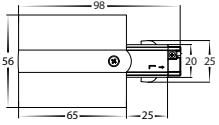

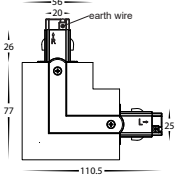
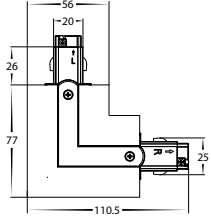
# BLACK RECESSED THREE CIRCUIT / DALI SINGLE CIRCUIT TRACK & CONNECTORS

THREE CIRCUIT / DALI SINGLE CIRCUIT TRACK SYSTEM	
MATERIAL	ALUMINIUM
COLOUR/FINISH	MATT BLACK
INPUT VOLTAGE	240V AC
TRACK SYSTEM	3 CIRCUIT / DALI SINGLE CIRCUIT
IP RATING	IP20

THREE CIRCUIT / DALI SINGLE CIRCUIT TRACK	
<b>HCP-102311</b>	1 METRE LENGTH INC. LIVE END
<b>HCP-102321</b>	2 METRE LENGTH INC. LIVE END
<b>HCP-102331</b>	3 METRE LENGTH INC. LIVE END

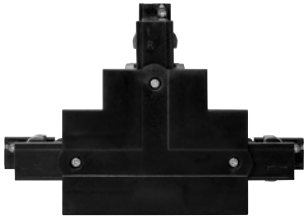
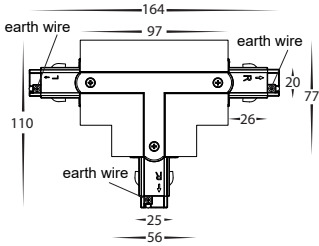
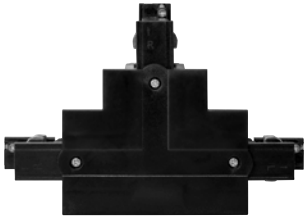
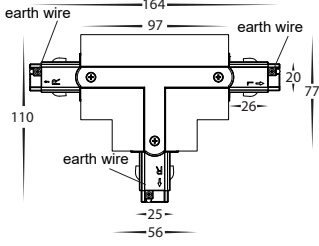
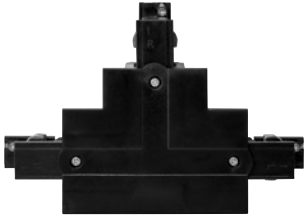
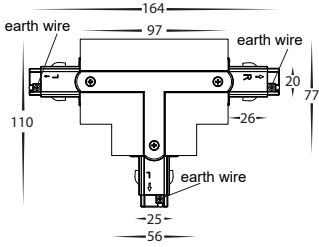
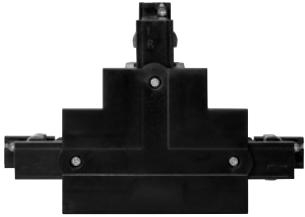
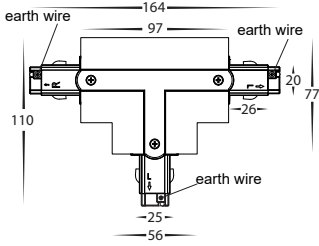
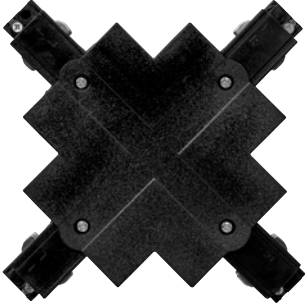
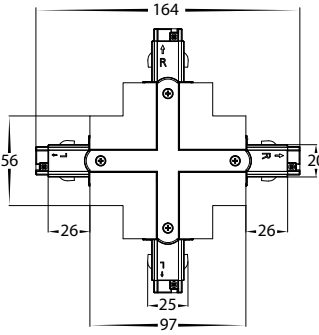


## THREE CIRCUIT / DALI SINGLE CIRCUIT TRACK CONNECTORS

	<b>HCP-102301-SJ</b>	STRAIGHT JOINER	
	<b>HCP-102301-CF</b>	CENTRE FEED	
	<b>HCP-102301-LE</b>	LIVE END	
	<b>HCP-102301-LSCL</b>	L-SHAPE JOINER	
	<b>HCP-102301-LSCR</b>	L-SHAPE JOINER	

Images are for reference only

THREE CIRCUIT / DALI SINGLE CIRCUIT TRACK CONNECTORS

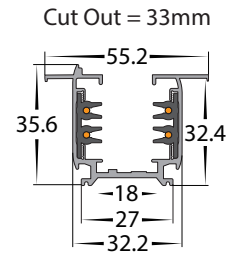
	<p><b>HCP-102301-TSCL1</b></p>	<p>T-SHAPE JOINER</p>	
	<p><b>HCP-102301-TSCL2</b></p>	<p>T-SHAPE JOINER</p>	
	<p><b>HCP-102301-TSCR1</b></p>	<p>T-SHAPE JOINER</p>	
	<p><b>HCP-102301-TSCR2</b></p>	<p>T-SHAPE JOINER</p>	
	<p><b>HCP-102301-XSC</b></p>	<p>X-SHAPE JOINER</p>	


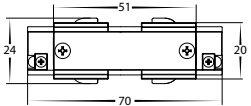



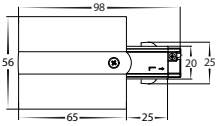
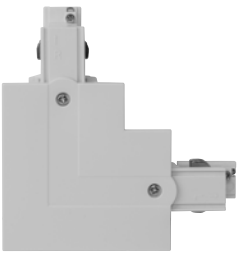
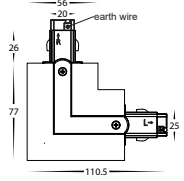
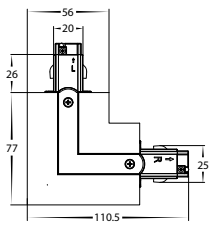
Images are for reference only

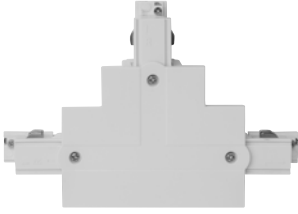
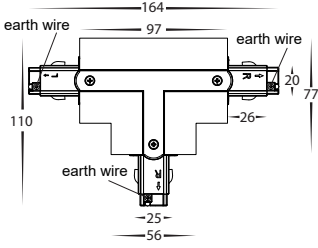
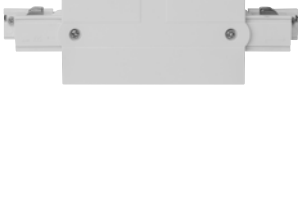
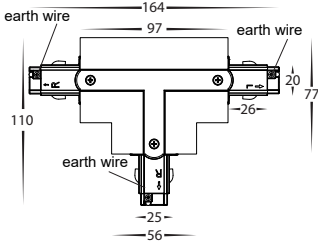
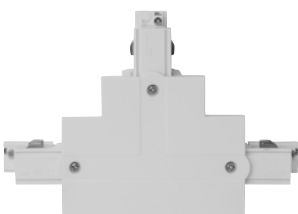
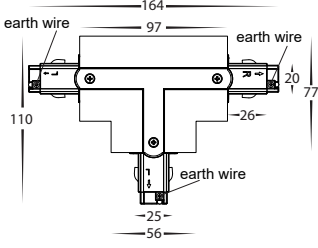
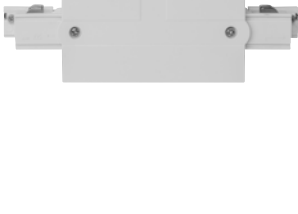
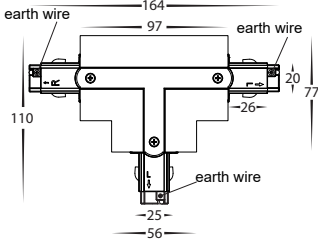
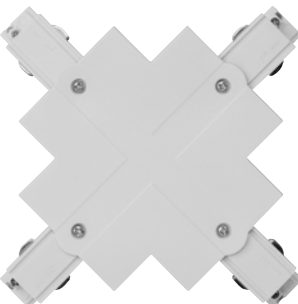
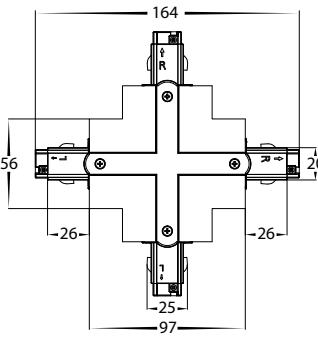
# WHITE RECESSED THREE CIRCUIT / DALI SINGLE CIRCUIT TRACK & CONNECTORS

THREE CIRCUIT / DALI SINGLE CIRCUIT TRACK SYSTEM	
MATERIAL	ALUMINIUM
COLOUR/FINISH	MATT WHITE
INPUT VOLTAGE	240V AC
TRACK SYSTEM	3 CIRCUIT / DALI SINGLE CIRCUIT
IP RATING	IP20

THREE CIRCUIT / DALI SINGLE CIRCUIT TRACK	
<b>HCP-103311</b>	1 METRE LENGTH INC. LIVE END
<b>HCP-103321</b>	2 METRE LENGTH INC. LIVE END
<b>HCP-103331</b>	3 METRE LENGTH INC. LIVE END



THREE CIRCUIT / DALI SINGLE CIRCUIT TRACK CONNECTORS			
	<b>HCP-103301-SJ</b>	STRAIGHT JOINER	
	<b>HCP-103301-CF</b>	CENTRE FEED	
	<b>HCP-103301-LE</b>	LIVE END	
	<b>HCP-103301-LSCL</b>	L-SHAPE JOINER	
	<b>HCP-103301-LSCR</b>	L-SHAPE JOINER	

THREE CIRCUIT / DALI SINGLE CIRCUIT TRACK CONNECTORS			
	<p><b>HCP-103301-TSCL1</b></p>	<p>T-SHAPE JOINER</p>	
	<p><b>HCP-103301-TSCL2</b></p>	<p>T-SHAPE JOINER</p>	
	<p><b>HCP-103301-TSCR1</b></p>	<p>T-SHAPE JOINER</p>	
	<p><b>HCP-103301-TSCR2</b></p>	<p>T-SHAPE JOINER</p>	
	<p><b>HCP-103301-XSC</b></p>	<p>X-SHAPE JOINER</p>	


# TRACK LIGHT SUSPENSION KITS



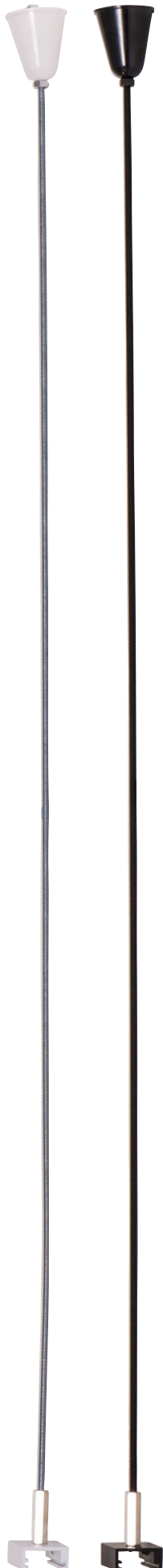
## PRODUCT DATA

SINGLE CIRCUIT TRACK SYSTEM SUSPENSION	
MATERIAL	BRASS + STAINLESS STEEL CABLE
COLOUR/FINISH	CHROME PLATED
WEIGHT LIMITS	2KG
LENGTH	2000MM
IP RATING	IP20

## PRODUCT ORDERING

SINGLE CIRCUIT SUSPENSION KIT		
	<b>HCP-105100-SUS</b>	2000MM CHROME PLATED BRASS + STAINLESS STEEL CABLE









## PRODUCT DATA

THREE CIRCUIT TRACK SYSTEM SUSPENSION	
MATERIAL	PC + STEEL CABLE + ALUMINIUM ROD
COLOUR/FINISH	BLACK OR WHITE
WEIGHT LIMITS	2KG
LENGTH	ROD SUSPENSION = 1000MM
	CABLE SUSPENSION = 3000MM
IP RATING	IP20

## PRODUCT ORDERING

THREE CIRCUIT SUSPENSION KIT		
	<b>HCP-102300-SUS</b>	BLACK CABLE SUSPENSION
	<b>HCP-103300-SUS</b>	WHITE CABLE SUSPENSION
1m Rod 	<b>HCP-102300-ROD</b>	BLACK ROD SUSPENSION
1m Rod 	<b>HCP-103300-ROD</b>	WHITE ROD SUSPENSION

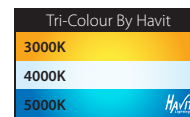
# SURFACE MOUNTED SPOT LIGHT





## PRODUCT DATA

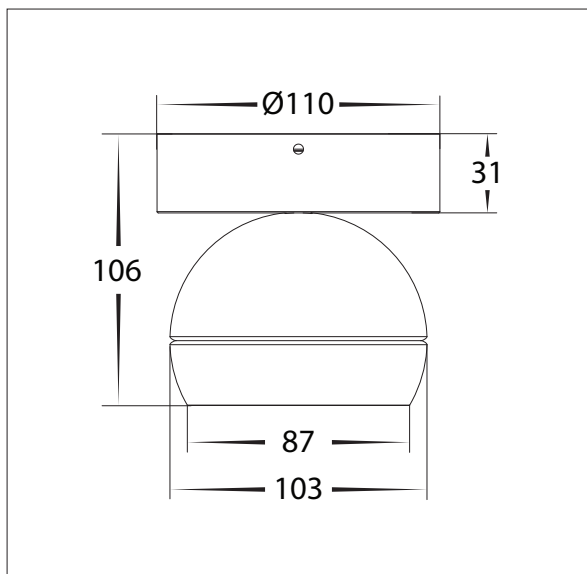
SURFACE MOUNTED SPOT LIGHT	
MATERIAL	ALUMINIUM
COLOUR/FINISH	MATT BLACK OR MATT WHITE
COLOUR TEMP	3000K   4000K   5000K (TRI-COLOUR)
LUMEN OUTPUT	630LM-874LM   668LM-943LM   663LM-921LM
INPUT VOLTAGE	240V AC
BUILT-IN LED	6W OR 9W LED
DIMMING	TRIAC
CRI	90+
BEAM ANGLE	60°
IP RATING	IP20

## PRODUCT ORDERING



ALUMINIUM BLACK				
	<b>HCP-1020931</b>	6W-9W LED	3000K 4000K 5000K	630LM-874LM 668LM-943LM 663LM-921LM
ALUMINIUM WHITE				
	<b>HCP-1030931</b>	6W-9W LED	3000K 4000K 5000K	630LM-874LM 668LM-943LM 663LM-921LM

## OTHER DATA





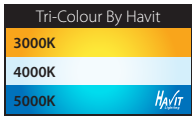
# RECESSED SPOT LIGHT

SPOT LIGHTS





### PRODUCT DATA

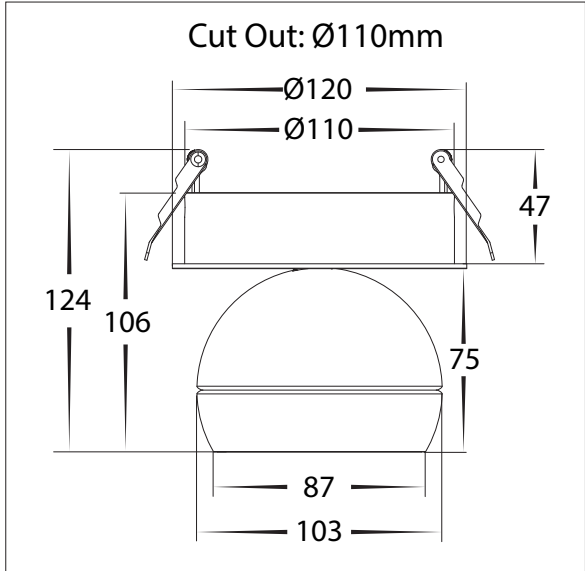
RECESSED SPOT LIGHT	
MATERIAL	ALUMINIUM + PLASTIC
COLOUR/FINISH	MATT BLACK OR MATT WHITE
COLOUR TEMP	3000K   4000K   5000K (TRI-COLOUR)
LUMEN OUTPUT	630LM-874LM   668LM-943LM   663LM-921LM
INPUT VOLTAGE	240V AC
BUILT-IN LED	6W OR 9W LED
DIMMING	TRIAC
CRI	90+
BEAM ANGLE	60°
IP RATING	IP20



### PRODUCT ORDERING

ALUMINIUM BLACK				
	<b>HCP-1020961</b>	6W-9W LED	3000K 4000K 5000K	630LM-874LM 668LM-943LM 663LM-921LM
ALUMINIUM WHITE				
	<b>HCP-1030961</b>	6W-9W LED	3000K 4000K 5000K	630LM-874LM 668LM-943LM 663LM-921LM

### OTHER DATA

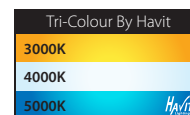





# SURFACE MOUNTED SPOT LIGHT





## PRODUCT DATA

SURFACE MOUNTED SPOT LIGHT	
MATERIAL	ALUMINIUM + PLASTIC
COLOUR/FINISH	MATT BLACK OR MATT WHITE
COLOUR TEMP	3000K   4000K   5000K (TRI-COLOUR)
LUMEN OUTPUT	630LM-874LM   668LM-943LM   663LM-921LM
INPUT VOLTAGE	240V AC
BUILT-IN LED	6W OR 9W LED
DIMMING	TRIAC
CRI	90+
BEAM ANGLE	60°
IP RATING	IP20

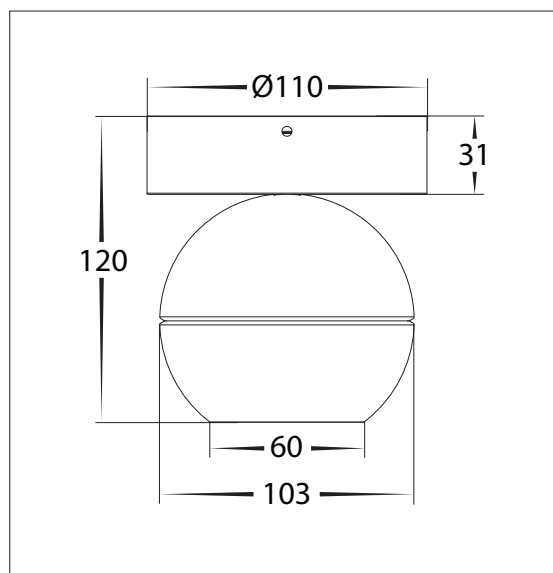


OPTIONAL ACCESSORIES		
	<b>HCP-1050964-GR</b>	GOLD INSERT
	<b>HCP-1050964-CHR</b>	CHROME INSERT
	<b>HCP-1050964-BR</b>	BLACK INSERT

## PRODUCT ORDERING

ALUMINIUM BLACK				
	<b>HCP-1020932</b>	6W-9W LED	3000K 4000K 5000K	630LM-874LM 668LM-943LM 663LM-921LM
ALUMINIUM WHITE				
	<b>HCP-1030932</b>	6W-9W LED	3000K 4000K 5000K	630LM-874LM 668LM-943LM 663LM-921LM

## OTHER DATA



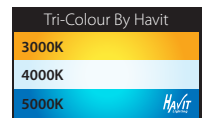
# RECESSED SPOT LIGHT






SPOT LIGHTS



## PRODUCT DATA

RECESSED SPOT LIGHTS	
MATERIAL	ALUMINIUM + PLASTIC
COLOUR/FINISH	MATT BLACK OR MATT WHITE
COLOUR TEMP	3000K   4000K   5000K (TRI-COLOUR)
LUMEN OUTPUT	630LM-874LM   668LM-943LM   663LM-921LM
INPUT VOLTAGE	240V AC
BUILT-IN LED	6W OR 9W LED
DIMMING	TRIAC
CRI	90+
BEAM ANGLE	60°
IP RATING	IP20

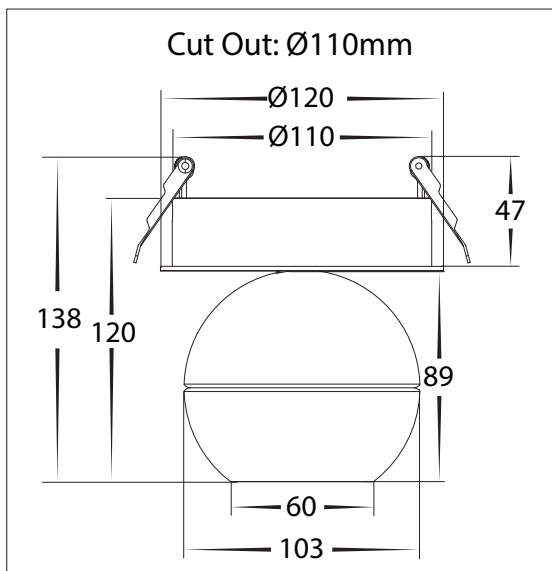


OPTIONAL ACCESSORIES		
	<b>HCP-1050964-GR</b>	GOLD INSERT
	<b>HCP-1050964-CHR</b>	CHROME INSERT
	<b>HCP-1050964-BR</b>	BLACK INSERT

## PRODUCT ORDERING

ALUMINIUM BLACK				
	<b>HCP-1020962</b>	6W-9W LED	3000K 4000K 5000K	630LM-874LM 668LM-943LM 663LM-921LM
ALUMINIUM WHITE				
	<b>HCP-1030962</b>	6W-9W LED	3000K 4000K 5000K	630LM-874LM 668LM-943LM 663LM-921LM

## OTHER DATA



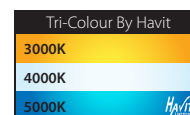
# SURFACE MOUNTED SPOT LIGHT





## PRODUCT DATA

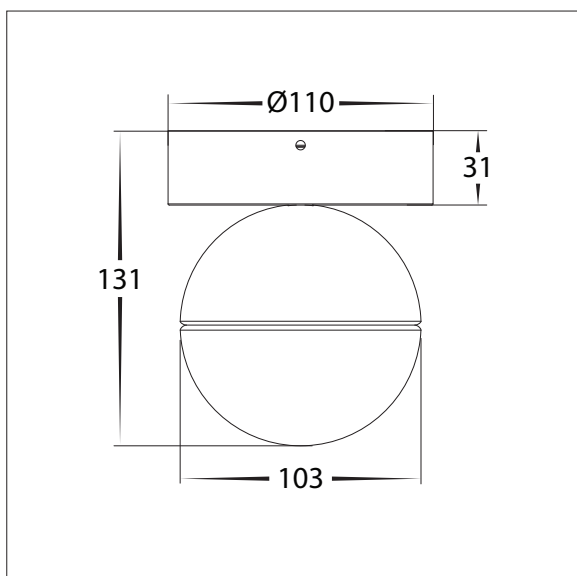
SURFACE MOUNTED SPOT LIGHT	
MATERIAL	ALUMINIUM
COLOUR/FINISH	MATT BLACK OR MATT WHITE
COLOUR TEMP	3000K   4000K   5000K (TRI-COLOUR)
LUMEN OUTPUT	558LM-767LM   596LM-832LM   595LM-828LM
INPUT VOLTAGE	240V AC
BUILT-IN LED	6W OR 9W LED
DIMMING	TRIAC
CRI	90+
BEAM ANGLE	150°
IP RATING	IP20

## PRODUCT ORDERING



ALUMINIUM BLACK				
	<b>HCP-1020933</b>	6W-9W LED	3000K 4000K 5000K	558LM-767LM 596LM-832LM 595LM-828LM
ALUMINIUM WHITE				
	<b>HCP-1030933</b>	6W-9W LED	3000K 4000K 5000K	558LM-767LM 596LM-832LM 595LM-828LM

## OTHER DATA



# RECESSED SPOT LIGHT

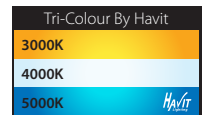


SPOT LIGHTS

## PRODUCT DATA

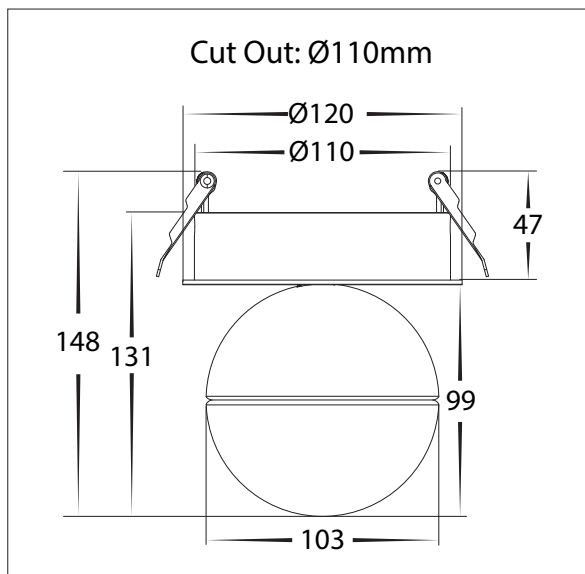
RECESSED SPOT LIGHT	
MATERIAL	ALUMINIUM + PLASTIC
COLOUR/FINISH	MATT BLACK OR MATT WHITE
COLOUR TEMP	3000K   4000K   5000K (TRI-COLOUR)
LUMEN OUTPUT	558LM-767LM   596LM-832LM   595LM-828LM
INPUT VOLTAGE	240V AC
BUILT-IN LED	6W OR 9W LED
DIMMING	TRIAC
CRI	90+
BEAM ANGLE	150°
IP RATING	IP20

## PRODUCT ORDERING



ALUMINIUM BLACK				
	<b>HCP-1020963</b>	6W-9W LED	3000K 4000K 5000K	558LM-767LM 596LM-832LM 595LM-828LM
ALUMINIUM WHITE				
	<b>HCP-1030963</b>	6W-9W LED	3000K 4000K 5000K	558LM-767LM 596LM-832LM 595LM-828LM

## OTHER DATA

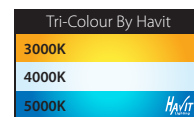





# SURFACE MOUNTED SPOT LIGHT





## PRODUCT DATA

SURFACE MOUNTED SPOT LIGHT	
MATERIAL	ALUMINIUM + PLASTIC
COLOUR/FINISH	MATT BLACK OR MATT WHITE
COLOUR TEMP	3000K   4000K   5000K (TRI-COLOUR)
LUMEN OUTPUT	526LM-742LM   562LM-797LM   559LM-778LM
INPUT VOLTAGE	240V AC
BUILT-IN LED	6W OR 9W LED
DIMMING	TRIAC
CRI	90+
BEAM ANGLE	60°
IP RATING	IP20

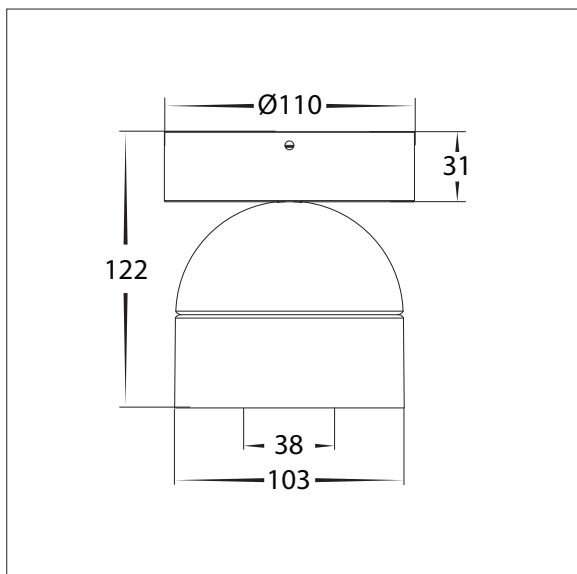


OPTIONAL ACCESSORIES		
	<b>HCP-1051964-GR</b>	GOLD INSERT
	<b>HCP-1051964-CHR</b>	CHROME INSERT
	<b>HCP-1051964-BR</b>	BLACK INSERT

## PRODUCT ORDERING

ALUMINIUM BLACK				
	<b>HCP-1020934</b>	6W-9W LED	3000K 4000K 5000K	526LM-772LM 562LM-797LM 559LM-778LM
ALUMINIUM WHITE				
	<b>HCP-1030934</b>	6W-9W LED	3000K 4000K 5000K	526LM-772LM 562LM-797LM 559LM-778LM

## OTHER DATA



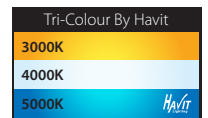
# RECESSED SPOT LIGHT






SPOT LIGHTS



## PRODUCT DATA

RECESSED SPOT LIGHT	
MATERIAL	ALUMINIUM + PLASTIC
COLOUR/FINISH	MATT BLACK OR MATT WHITE
COLOUR TEMP	3000K   4000K   5000K (TRI-COLOUR)
LUMEN OUTPUT	526LM-742LM   562LM-797LM   559LM-778LM
INPUT VOLTAGE	240V AC
BUILT-IN LED	6W OR 9W LED
DIMMING	TRIAC
CRI	90+
BEAM ANGLE	60°
IP RATING	IP20

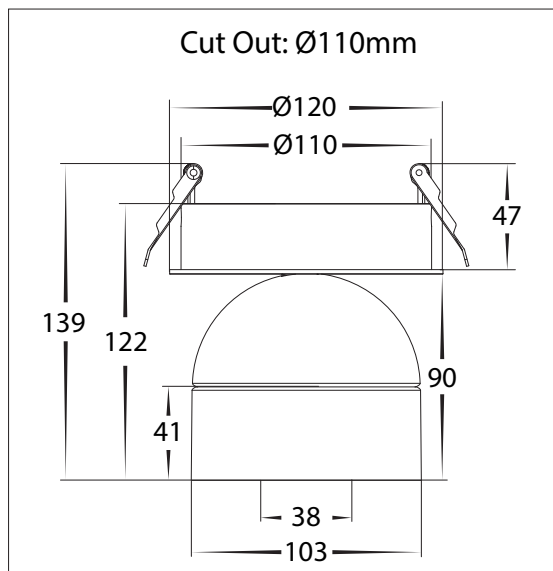


OPTIONAL ACCESSORIES		
	<b>HCP-1051964-GR</b>	GOLD INSERT
	<b>HCP-1051964-CHR</b>	CHROME INSERT
	<b>HCP-1051964-BR</b>	BLACK INSERT

## PRODUCT ORDERING

ALUMINIUM BLACK				
	<b>HCP-1020964</b>	6W-9W LED	3000K 4000K 5000K	526LM-772LM 562LM-797LM 559LM-778LM
ALUMINIUM WHITE				
	<b>HCP-1030964</b>	6W-9W LED	3000K 4000K 5000K	526LM-772LM 562LM-797LM 559LM-778LM

## OTHER DATA



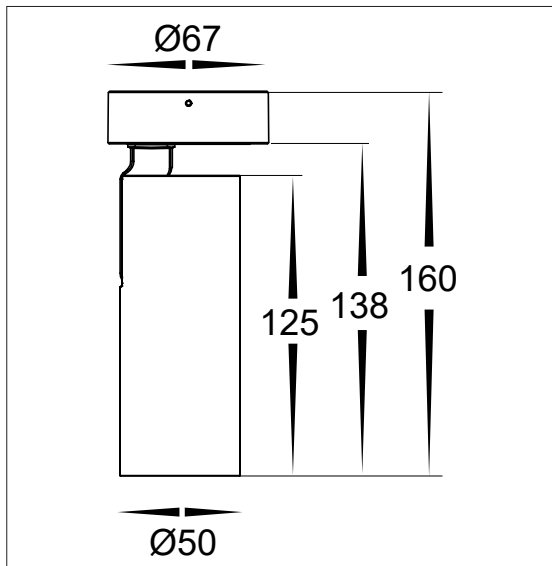
# 10W SURFACE MOUNTED SPOT LIGHT









## PRODUCT DATA

SURFACE MOUNTED SPOT LIGHT	
MATERIAL	ALUMINIUM
COLOUR/FINISH	MATT BLACK OR MATT WHITE
COLOUR TEMP	2700K   3000K   4000K   5000K   5700K
LUMEN OUTPUT	518LM   532LM   582LM   614LM   626LM
INPUT VOLTAGE	240V
BUILT-IN LED	10W
DIMMING	TRIAC
CRI	RA>90
BEAM ANGLE	60°
IP RATING	IP20

## OTHER DATA



## PRODUCT ORDERING

ALUMINIUM BLACK				
	<b>HCP-1022112</b>	10W LED	2700K 3000K 4000K 5000K 5700K	518LM 532LM 582LM 614LM 626LM
ALUMINIUM WHITE				
	<b>HCP-1032112</b>	10W LED	2700K 3000K 4000K 5000K 5700K	518LM 532LM 582LM 614LM 626LM
OPTIONAL LENSES				
	<b>HCP-105001-15</b>	15° LENS		
	<b>HCP-105001-24</b>	24° LENS		
	<b>HCP-105001-38</b>	38° LENS		
OPTIONAL INSERTS				
	<b>HCP-105001-GR</b>	GOLD INSERT		
	<b>HCP-105001-BR</b>	BLACK INSERT		
	<b>HCP-105001-HC</b>	HONEYCOMB INSERT		





# 10W RECESSED SPOT LIGHT



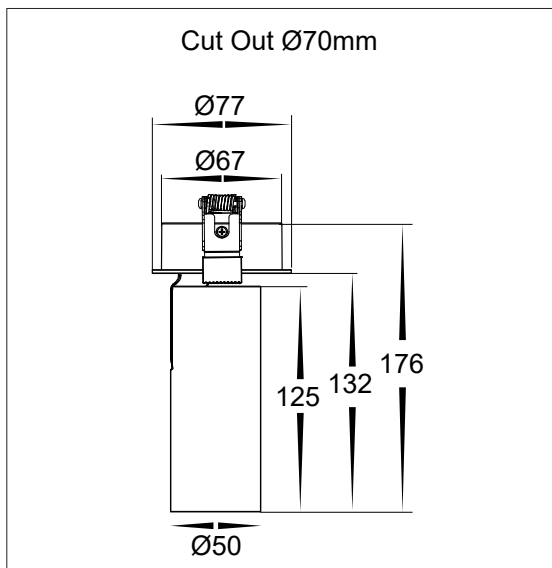
SPOT LIGHTS



## PRODUCT ORDERING

## PRODUCT DATA

RECESSED SPOT LIGHT	
MATERIAL	ALUMINIUM
COLOUR/FINISH	MATT BLACK OR MATT WHITE
COLOUR TEMP	2700K   3000K   4000K   5000K   5700K
LUMEN OUTPUT	518LM   532LM   582LM   614LM   626LM
INPUT VOLTAGE	240V
BUILT-IN LED	10W
DIMMING	TRIAC
CRI	RA>90
BEAM ANGLE	60°
IP RATING	IP20

## OTHER DATA



ALUMINIUM BLACK		
	<b>HCP-1022122</b>	10W LED 2700K   3000K   4000K   5000K   5700K 518LM   532LM   582LM   614LM   626LM
ALUMINIUM WHITE		
	<b>HCP-1032122</b>	10W LED 2700K   3000K   4000K   5000K   5700K 518LM   532LM   582LM   614LM   626LM
OPTIONAL LENSES		
	<b>HCP-105001-15</b>	15° LENS
	<b>HCP-105001-24</b>	24° LENS
	<b>HCP-105001-38</b>	38° LENS
OPTIONAL INSERTS		
	<b>HCP-105001-GR</b>	GOLD INSERT
	<b>HCP-105001-BR</b>	BLACK INSERT
	<b>HCP-105001-HC</b>	HONEYCOMB INSERT



# 15W SURFACE MOUNTED SPOT LIGHT

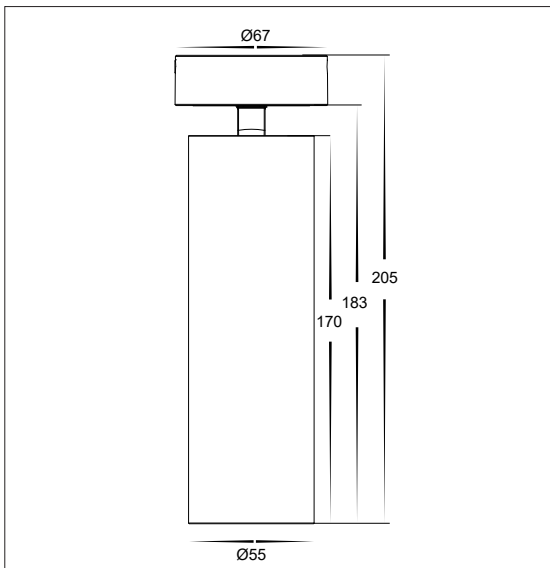


## PRODUCT ORDERING

## PRODUCT DATA

SURFACE MOUNTED SPOT LIGHT	
MATERIAL	ALUMINIUM
COLOUR/FINISH	MATT BLACK OR MATT WHITE
COLOUR TEMP	2700K   3000K   4000K   5000K   5700K
LUMEN OUTPUT	819LM   879LM   973LM   1000LM   876LM
INPUT VOLTAGE	240V
BUILT-IN LED	15W
DIMMING	TRIAC
CRI	RA>90
BEAM ANGLE	60°
IP RATING	IP20

## OTHER DATA



### ALUMINIUM BLACK

	<b>HCP-1022212</b>	15W LED	2700K 3000K 4000K 5000K 5700K	816LM 879LM 973LM 1000LM 876LM
--	--------------------	---------	---	--

### ALUMINIUM WHITE

	<b>HCP-1032212</b>	15W LED	2700K 3000K 4000K 5000K 5700K	816LM 879LM 973LM 1000LM 876LM
--	--------------------	---------	---	--

### OPTIONAL LENSES

	<b>HCP-105003-18</b>	18° LENS
	<b>HCP-105003-24</b>	24° LENS
	<b>HCP-105003-36</b>	36° LENS

### OPTIONAL INSERTS

	<b>HCP-105003-GR</b>	GOLD INSERT
	<b>HCP-105003-BR</b>	BLACK INSERT
	<b>HCP-105003-HC</b>	HONEYCOMB INSERT



# 15W RECESSED SPOT LIGHT



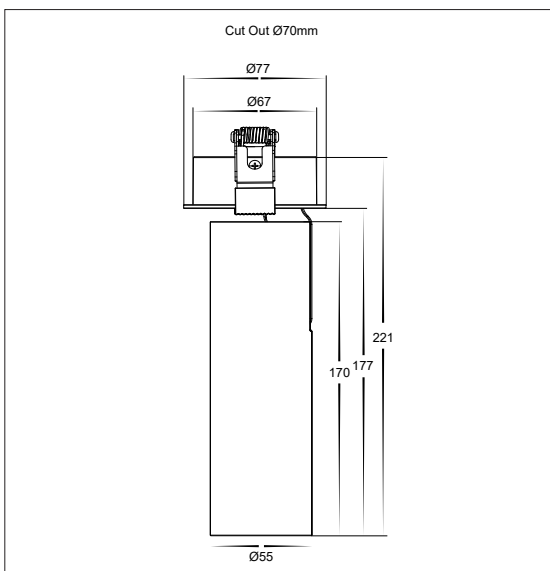
SPOT LIGHTS

## PRODUCT ORDERING

## PRODUCT DATA

RECESSED SPOT LIGHT	
MATERIAL	ALUMINIUM
COLOUR/FINISH	MATT BLACK OR MATT WHITE
COLOUR TEMP	2700K   3000K   4000K   5000K   5700K
LUMEN OUTPUT	819LM   879LM   973LM   1000LM   876LM
INPUT VOLTAGE	240V
BUILT-IN LED	15W
DIMMING	TRIAC
CRI	RA>90
BEAM ANGLE	60°
IP RATING	IP20

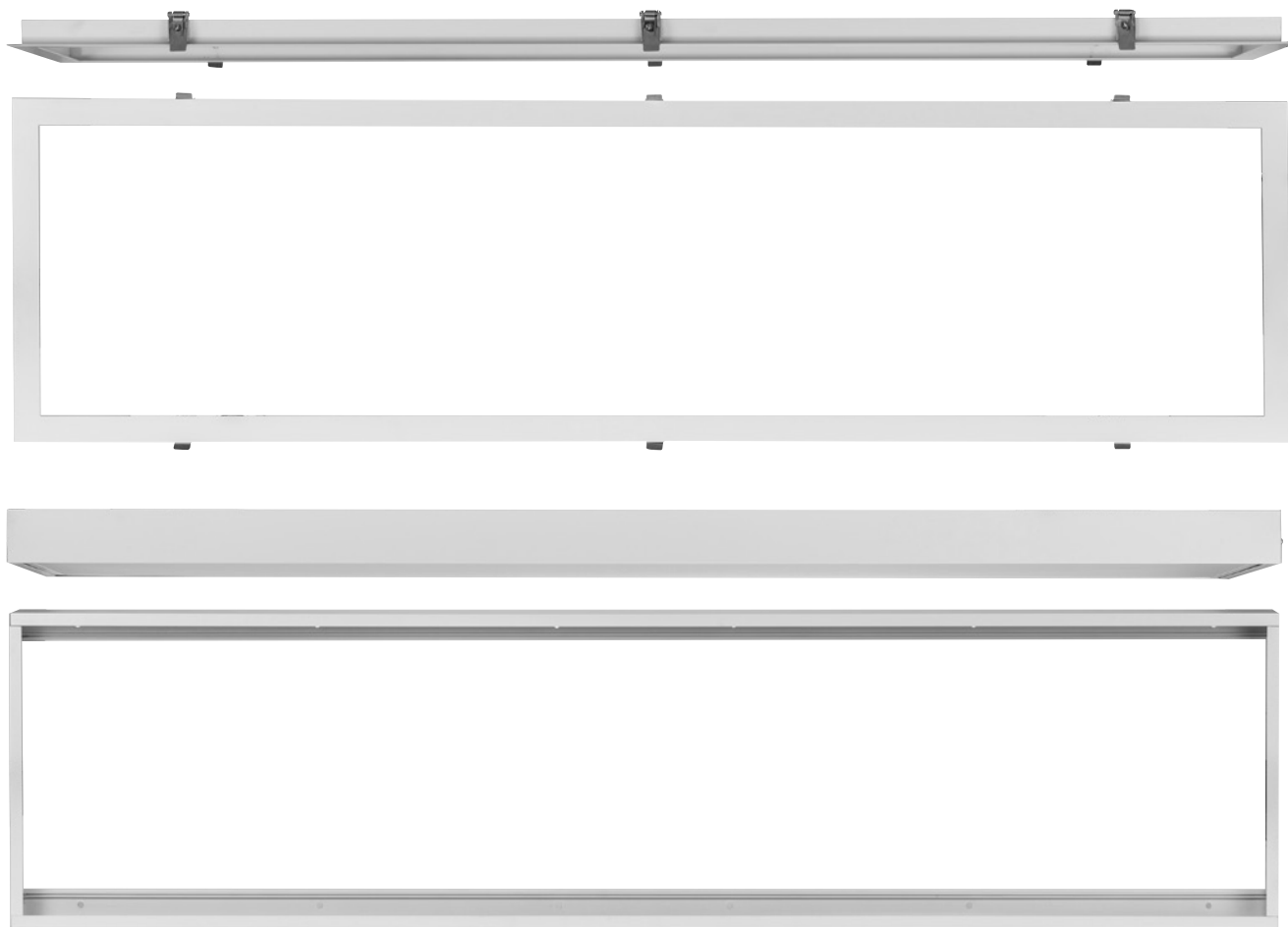
## OTHER DATA



ALUMINIUM BLACK		
	<b>HCP-1022222</b>	15W LED 2700K 3000K 4000K 5000K 5700K 816LM 879LM 973LM 1000LM 876LM
ALUMINIUM WHITE		
	<b>HCP-1032222</b>	15W LED 2700K 3000K 4000K 5000K 5700K 816LM 879LM 973LM 1000LM 876LM
OPTIONAL LENSES		
	<b>HCP-105003-18</b>	18° LENS
	<b>HCP-105003-24</b>	24° LENS
	<b>HCP-105003-36</b>	36° LENS
OPTIONAL INSERTS		
	<b>HCP-105003-GR</b>	GOLD INSERT
	<b>HCP-105003-BR</b>	BLACK INSERT
	<b>HCP-105003-HC</b>	HONEYCOMB INSERT



# LED PANEL KITS - RECTANGLE 1195 X 295MM



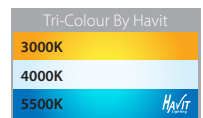
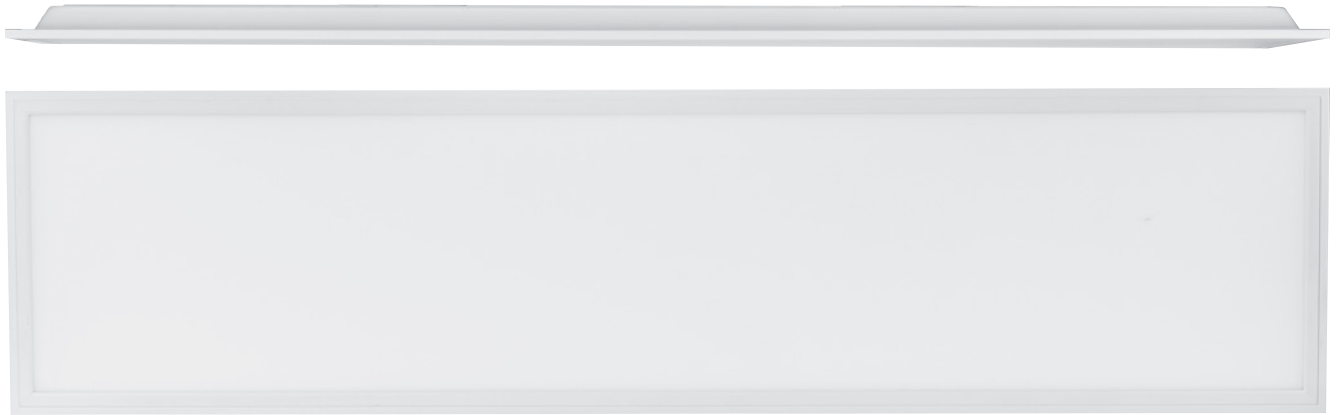
## PRODUCT DATA

LED PANEL KITS	
MATERIAL	ALUMINIUM
COLOUR/FINISH	WHITE
IP RATING	IP20

## PRODUCT ORDERING

MOUNTING KITS			
		<b>HCP-17341-R-SM</b>	SURFACE MOUNTED
	<p>CUT OUT: 1210 X 310mm</p>	<b>HCP-17340-R-REC</b>	RECESSED

# LED PANEL - RECTANGLE 1195 X 295MM



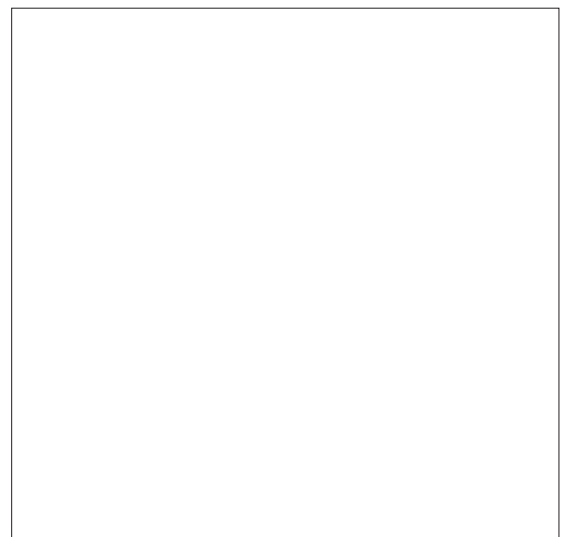
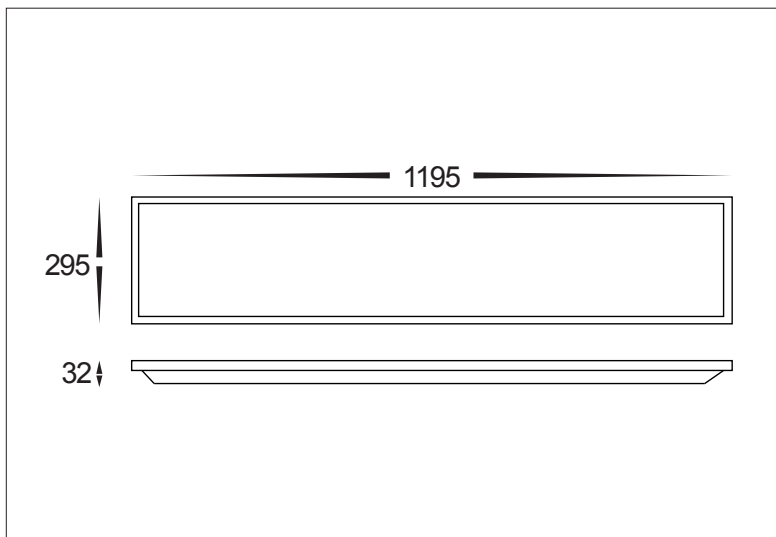
## PRODUCT DATA

LED PANEL - RECTANGLE 1195x295mm	
MATERIAL	ALUMINIUM + PC
COLOUR/FINISH	MATT WHITE
COLOUR TEMP.	3000K   4000K   5500K (TRI-COLOUR)
LUMEN OUTPUT	2900LM   3100LM   3300LM
INPUT VOLTAGE	240V AC (SUPPLIED WITH LED DRIVER)
BUILT-IN LED	40W
DIMMING	TRIAC, NON DIMMABLE AND DALI
CRI	RA >90
BEAM ANGLE	120°
IP RATING	IP20

## PRODUCT ORDERING

ALUMINIUM WHITE				
	<b>HCP-173400-R</b> TRIAC	40W	3000K 4000K 5500K	2900LM 3100LM 3300LM
	<b>HCP-173400-R-ND</b> NON DIMMABLE	40W	3000K 4000K 5500K	2900LM 3100LM 3300LM
	<b>HCP-173400-R-DALI</b> DALI DIMMABLE	40W	3000K 4000K 5500K	2900LM 3100LM 3300LM

## OTHER DATA



LED PANELS


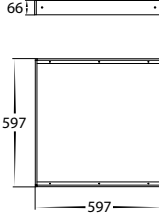
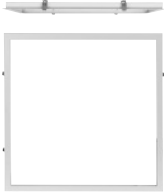
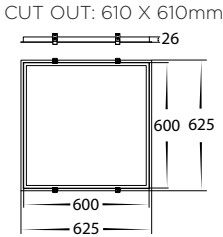
# LED PANEL KITS - SQUARE 595MM X 595MM



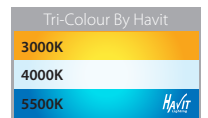
## PRODUCT DATA

LED PANEL KITS	
MATERIAL	ALUMINIUM
COLOUR/FINISH	WHITE
IP RATING	IP20

## PRODUCT ORDERING

MOUNTING KITS			
		<b>HCP-17341-S-SM</b>	SURFACE MOUNTED
		<b>HCP-17340-S-REC</b>	RECESSED

# LED PANEL - SQUARE 595MM X 595MM



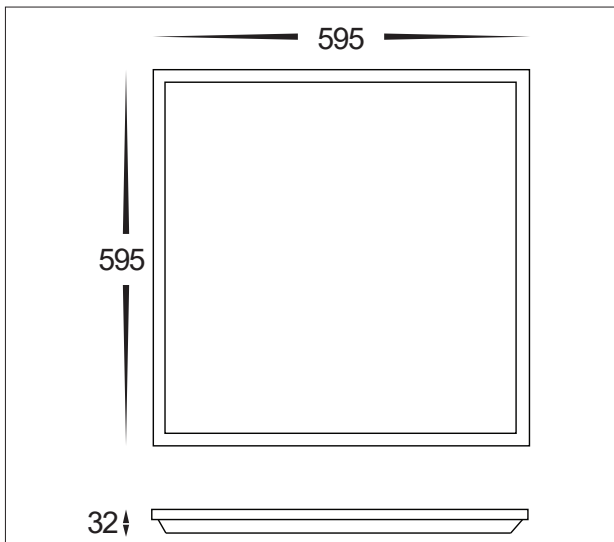
## PRODUCT DATA

LED PANEL - SQUARE 595mm X 595mm	
MATERIAL	ALUMINIUM
COLOUR/FINISH	MATT WHITE
COLOUR TEMP.	3000K   4000K   5500K (TRI-COLOUR)
LUMEN OUTPUT	2900LM   3100LM   3300LM
INPUT VOLTAGE	240V AC (SUPPLIED WITH LED DRIVER)
BUILT-IN LED	40W
DIMMING	TRIAC, NON DIMMABLE AND DALI
CRI	RA>90
BEAM ANGLE	120°
IP RATING	IP20

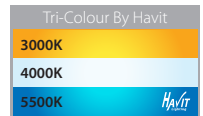
## PRODUCT ORDERING

ALUMINIUM WHITE				
	<b>HCP-173400-S</b> TRIAC	40W	3000K 4000K 5500K	2900LM 3100LM 3300LM
	<b>HCP-173400-S-ND</b> NON DIMMABLE	40W	3000K 4000K 5500K	2900LM 3100LM 3300LM
	<b>HCP-173400-S-DALI</b> DALI DIMMABLE	40W	3000K 4000K 5500K	2900LM 3100LM 3300LM

## OTHER DATA



# 8W FIXED DOWN WALL LIGHTS



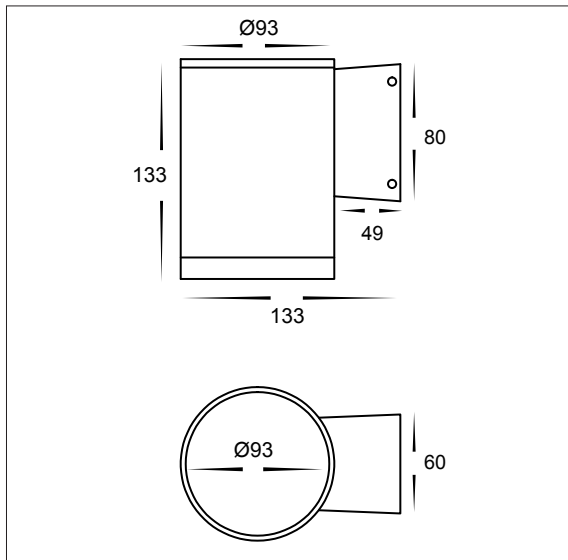
## PRODUCT DATA

8W FIXED DOWN WALL LIGHTS	
MATERIAL	ALUMINIUM
COLOUR/FINISH	MATT BLACK OR WHITE
COLOUR TEMP.	3000K   4000K   5500K (TRI-COLOUR)
LUMEN OUTPUT	720LM   760LM   800LM
INPUT VOLTAGE	240v AC
BUILT-IN LED	8W
DIMMING	DALI DIMMABLE
CRI	RA >90
BEAM ANGLE	60°
IP RATING	IP65

## PRODUCT ORDERING

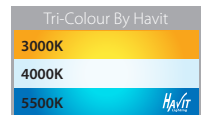
ALUMINIUM BLACK				
	<b>HCP-212080</b>	8W LED	3000K 4000K 5500K	720LM 760LM 800LM
	<b>HCP-212084</b> DALI DIMMABLE	8W LED	3000K 4000K 5500K	720LM 760LM 800LM
ALUMINIUM WHITE				
	<b>HCP-213080</b>	8W LED	3000K 4000K 5500K	720LM 760LM 800LM
	<b>HCP-213084</b> DALI DIMMABLE	8W LED	3000K 4000K 5500K	720LM 760LM 800LM

## OTHER DATA





# 2X 8W UP & DOWN WALL LIGHTS



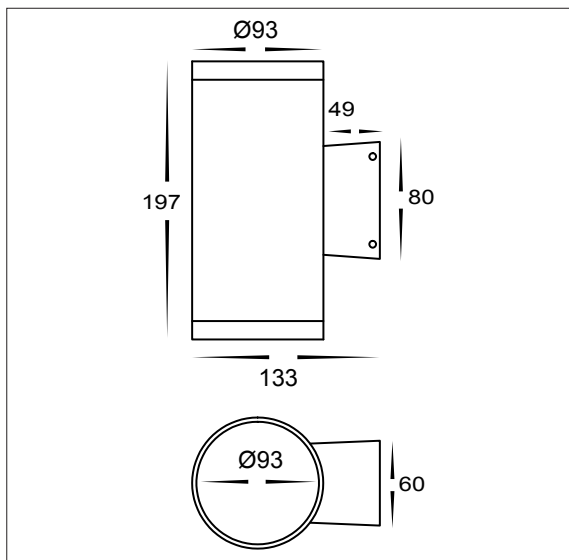
## PRODUCT DATA

2x8W UP & DOWN WALL LIGHTS	
MATERIAL	ALUMINIUM
COLOUR/FINISH	MATT BLACK OR WHITE
COLOUR TEMP.	3000K   4000K   5500K (TRI-COLOUR)
LUMEN OUTPUT	2x 720LM   2x 760LM   2x 800LM
INPUT VOLTAGE	240v AC
BUILT-IN LED	2x 8W
DIMMING	DALI DIMMABLE
CRI	RA >90
BEAM ANGLE	60°
IP RATING	IP65

## PRODUCT ORDERING

ALUMINIUM BLACK				
	<b>HCP-212160</b>	2X 8W LED	3000K 4000K 5500K	2x 720LM 2x 760LM 2x 800LM
	<b>HCP-212164</b> DALI DIMMABLE	2X 8W LED	3000K 4000K 5500K	2x 720LM 2x 760LM 2x 800LM
ALUMINIUM WHITE				
	<b>HCP-213160</b>	2X 8W LED	3000K 4000K 5500K	2x 720LM 2x 760LM 2x 800LM
	<b>HCP-213164</b> DALI DIMMABLE	2X 8W LED	3000K 4000K 5500K	2x 720LM 2x 760LM 2x 800LM

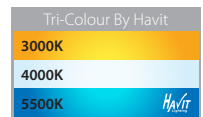
## OTHER DATA



4

OUTDOOR WALL LIGHTS

# 12W FIXED DOWN WALL LIGHTS



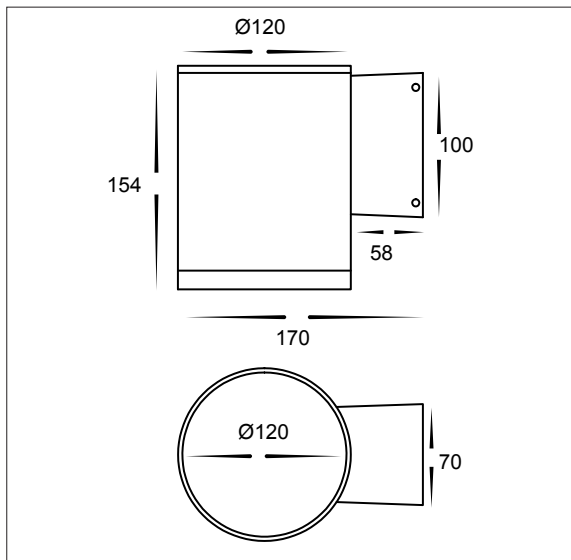
## PRODUCT DATA

12W FIXED DOWN WALL LIGHTS	
MATERIAL	ALUMINIUM
COLOUR/FINISH	MATT BLACK OR WHITE
COLOUR TEMP.	3000K   4000K   5500K (TRI-COLOUR)
LUMEN OUTPUT	1080LM   1140LM   1200LM
INPUT VOLTAGE	240V AC
BUILT-IN LED	12W
DIMMING	DALI DIMMABLE
CRI	RA >90
BEAM ANGLE	60°
IP RATING	IP65

## PRODUCT ORDERING

ALUMINIUM BLACK				
	<b>HCP-212120</b>	12W LED	3000K 4000K 5500K	1080LM 1140LM 1200LM
	<b>HCP-212124</b> DALI DIMMABLE	12W LED	3000K 4000K 5500K	1080LM 1140LM 1200LM
ALUMINIUM WHITE				
	<b>HCP-213120</b>	12W LED	3000K 4000K 5500K	1080LM 1140LM 1200LM
	<b>HCP-213124</b> DALI DIMMABLE	12W LED	3000K 4000K 5500K	1080LM 1140LM 1200LM

## OTHER DATA



# 2X 12W UP & DOWN WALL LIGHTS



Tri-Colour By Havit	
3000K	
4000K	
5500K	

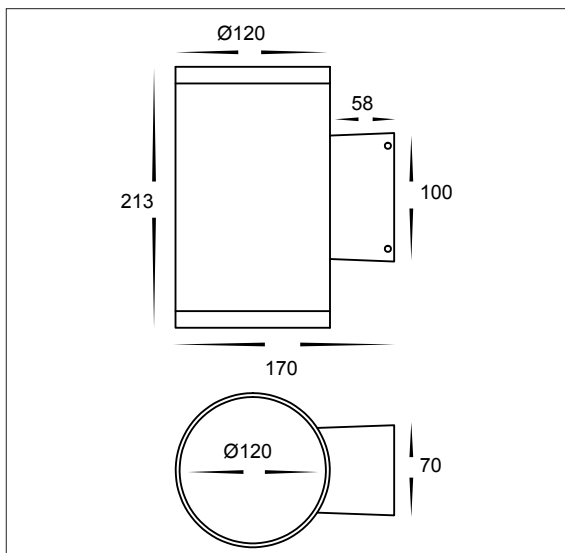
## PRODUCT DATA

2x12W UP & DOWN WALL LIGHTS	
MATERIAL	ALUMINIUM
COLOUR/FINISH	MATT BLACK OR WHITE
COLOUR TEMP.	3000K   4000K   5500K (TRI-COLOUR)
LUMEN OUTPUT	2X 1080LM   2X 1140LM   2X 1200LM
INPUT VOLTAGE	240V AC
BUILT-IN LED	2X 12W
DIMMING	DALI DIMMABLE
CRI	RA >90
BEAM ANGLE	60°
IP RATING	IP65

## PRODUCT ORDERING

ALUMINIUM BLACK				
	<b>HCP-212240</b>	2x 12W LED	3000K 4000K 5500K	2x 1080LM 2x 1140LM 2x 1200LM
	<b>HCP-212244</b> DALI DIMMABLE	2x 12W LED	3000K 4000K 5500K	2x 1080LM 2x 1140LM 2x 1200LM
ALUMINIUM WHITE				
	<b>HCP-213240</b>	2x 12W LED	3000K 4000K 5500K	2x 1080LM 2x 1140LM 2x 1200LM
	<b>HCP-213244</b> DALI DIMMABLE	2x 12W LED	3000K 4000K 5500K	2x 1080LM 2x 1140LM 2x 1200LM

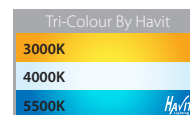
## OTHER DATA



4

OUTDOOR WALL LIGHTS


# 15W FIXED DOWN WALL LIGHTS



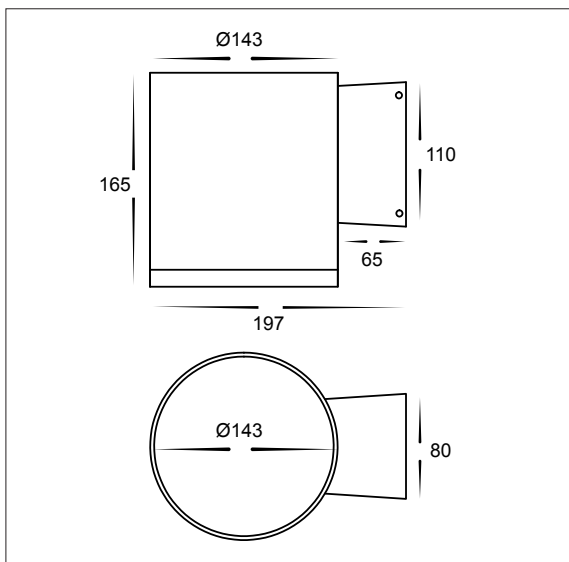
## PRODUCT DATA

15W FIXED DOWN WALL LIGHTS	
MATERIAL	ALUMINIUM
COLOUR/FINISH	MATT BLACK OR WHITE
COLOUR TEMP.	3000K   4000K   5500K (TRI-COLOUR)
LUMEN OUTPUT	1350LM   1425LM   1500LM
INPUT VOLTAGE	240V AC
BUILT-IN LED	15W
DIMMING	DALI DIMMABLE
CRI	RA >90
BEAM ANGLE	60°
IP RATING	IP65

## PRODUCT ORDERING

ALUMINIUM BLACK				
	<b>HCP-212150</b>	15W LED	3000K 4000K 5500K	1350LM 1425LM 1500LM
	<b>HCP-212154</b> DALI DIMMABLE	15W LED	3000K 4000K 5500K	1350LM 1425LM 1500LM
ALUMINIUM WHITE				
	<b>HCP-213150</b>	15W LED	3000K 4000K 5500K	1350LM 1425LM 1500LM
	<b>HCP-213154</b> DALI DIMMABLE	15W LED	3000K 4000K 5500K	1350LM 1425LM 1500LM

## OTHER DATA



# 2X 15W UP & DOWN WALL LIGHTS



Tri-Colour By Havit	
3000K	
4000K	
5500K	

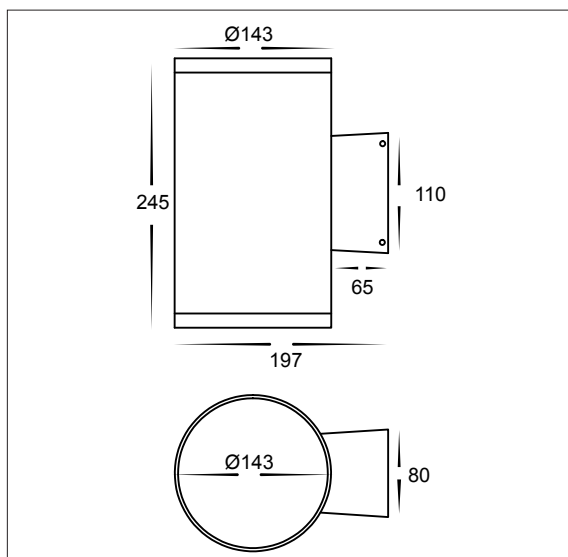
## PRODUCT DATA

2x15W UP & DOWN WALL LIGHTS	
MATERIAL	ALUMINIUM
COLOUR/FINISH	MATT BLACK OR WHITE
COLOUR TEMP.	3000K   4000K   5500K (TRI-COLOUR)
LUMEN OUTPUT	2X 1350LM   2X 1425LM   2X 1500LM
INPUT VOLTAGE	240V AC
BUILT-IN LED	2X 15W
DIMMING	DALI DIMMABLE
CRI	RA >90
BEAM ANGLE	60°
IP RATING	IP65

## PRODUCT ORDERING

ALUMINIUM BLACK				
	<b>HCP-212300</b>	2x 15W LED	3000K 4000K 5500K	2x 1350LM 2x 1425LM 2x 1500LM
	<b>HCP-212304</b> DALI DIMMABLE	2x 15W LED	3000K 4000K 5500K	2x 1350LM 2x 1425LM 2x 1500LM
ALUMINIUM WHITE				
	<b>HCP-213300</b>	2x 15W LED	3000K 4000K 5500K	2x 1350LM 2x 1425LM 2x 1500LM
	<b>HCP-213304</b> DALI DIMMABLE	2x 15W LED	3000K 4000K 5500K	2x 1350LM 2x 1425LM 2x 1500LM

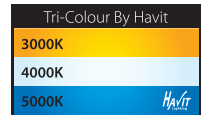
## OTHER DATA



4

OUTDOOR WALL LIGHTS





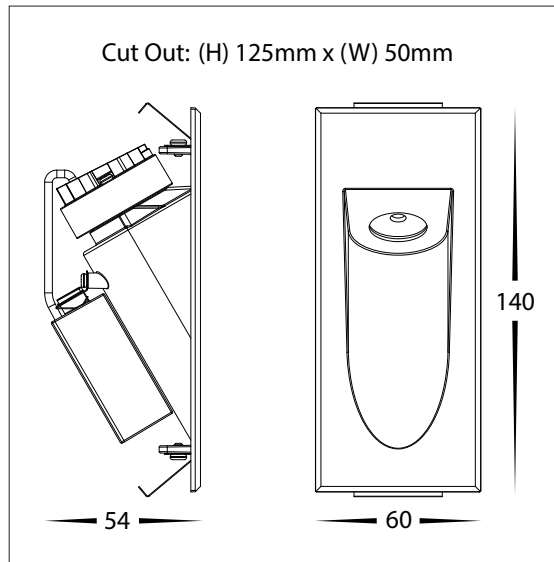
## PRODUCT ORDERING

## PRODUCT DATA

STEP LIGHTS	
MATERIAL	ALUMINIUM
COLOUR/FINISH	MATT BLACK OR MATT WHITE
COLOUR TEMP.	3000K   4000K   5000K (TRI-COLOUR)
LUMEN OUTPUT	120LM   140LM   125LM
INPUT VOLTAGE	240V AC (REMOTE DRIVER)
BUILT IN LED	3W LED
DIMMING	TRIAC
CRI	90+
BEAM ANGLE	ASYMMETRIC 25°
IP RATING	IP54 (FITTING ONLY)

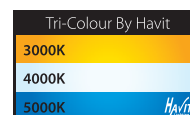
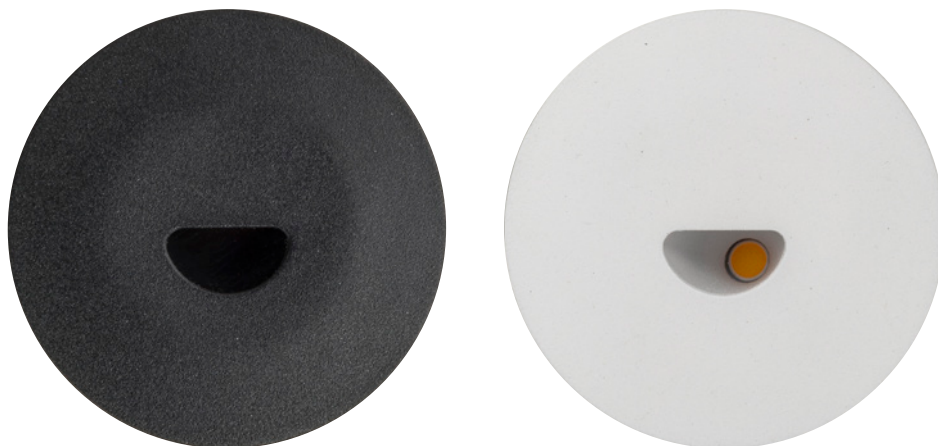
ALUMINIUM BLACK				
	<b>HCP-2220302</b>	3000K 4000K 5000K	120LM 140LM 125LM	3W LED
ALUMINIUM WHITE				
	<b>HCP-2230302</b>	3000K 4000K 5000K	120LM 140LM 125LM	3W LED

## OTHER DATA



5  
RECESSED STEP LIGHTS



# 3W STEP LIGHTS



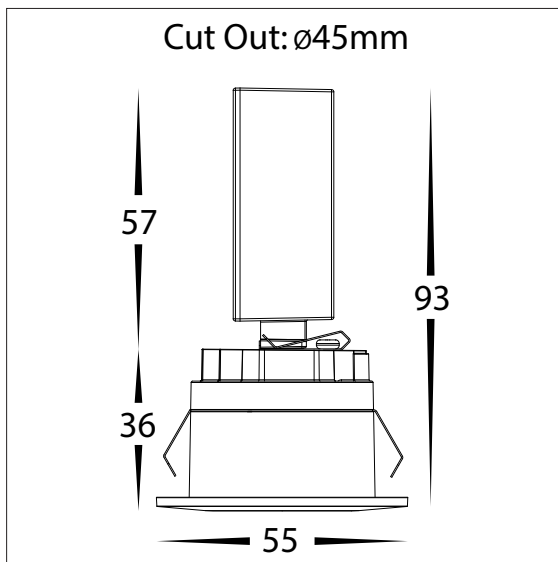
## PRODUCT DATA

STEP LIGHTS	
MATERIAL	ALUMINIUM
COLOUR/FINISH	MATT BLACK OR MATT WHITE
COLOUR TEMP.	3000K   4000K   5000K (TRI-COLOUR)
LUMEN OUTPUT	62LM   73LM   66LM
INPUT VOLTAGE	240V AC (REMOTE DRIVER)
BUILT IN LED	3W LED
DIMMING	TRIAC
CRI	90+
BEAM ANGLE	ASYMMETRIC 25°
IP RATING	IP54 (FITTING ONLY)

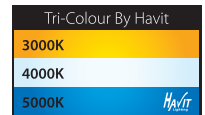
## PRODUCT ORDERING

ALUMINIUM BLACK				
	<b>HCP-2221302</b>	3000K 4000K 5000K	62LM 73LM 66LM	3W LED
ALUMINIUM WHITE				
	<b>HCP-2231302</b>	3000K 4000K 5000K	62LM 73LM 66LM	3W LED

## OTHER DATA









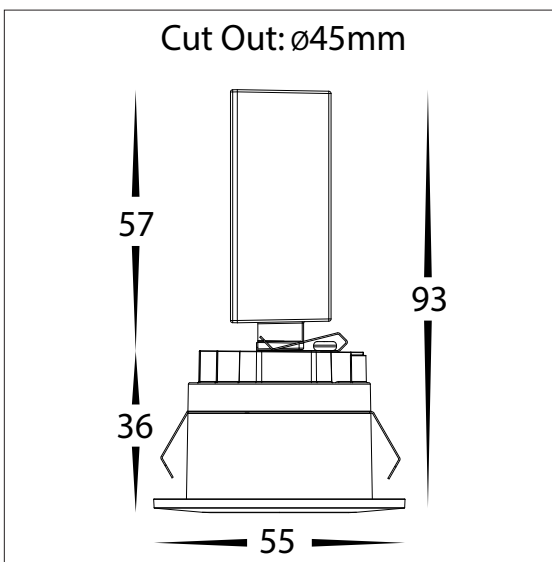
## PRODUCT ORDERING

## PRODUCT DATA

STEP LIGHTS	
MATERIAL	ALUMINIUM
COLOUR/FINISH	MATT BLACK OR MATT WHITE
COLOUR TEMP.	3000K   4000K   5000K (TRI-COLOUR)
LUMEN OUTPUT	27LM   32LM   29LM
INPUT VOLTAGE	240V AC (REMOTE DRIVER)
BUILT IN LED	3W LED
DIMMING	TRIAC
CRI	90+
BEAM ANGLE	ASYMMETRIC 25°
IP RATING	IP54 (FITTING ONLY)

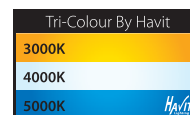
ALUMINIUM BLACK				
	<b>HCP-2222302</b>	3000K 4000K 5000K	27LM 32LM 29LM	3W LED
ALUMINIUM WHITE				
	<b>HCP-2232302</b>	3000K 4000K 5000K	27LM 32LM 29LM	3W LED

## OTHER DATA



5  
RECESSED STEP LIGHTS

# 3W STEP LIGHTS



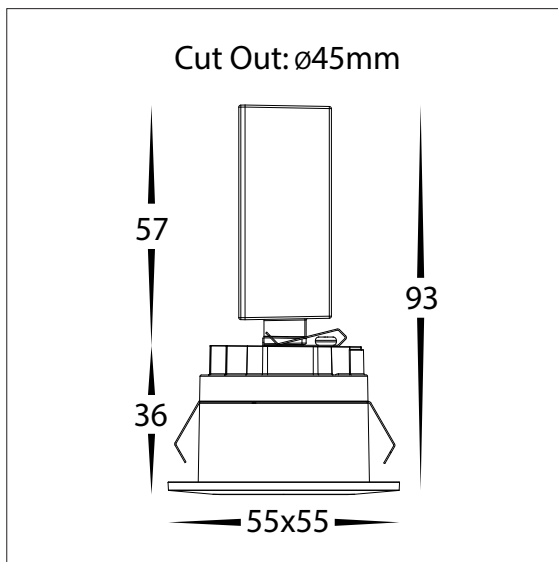
## PRODUCT ORDERING

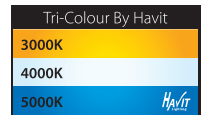
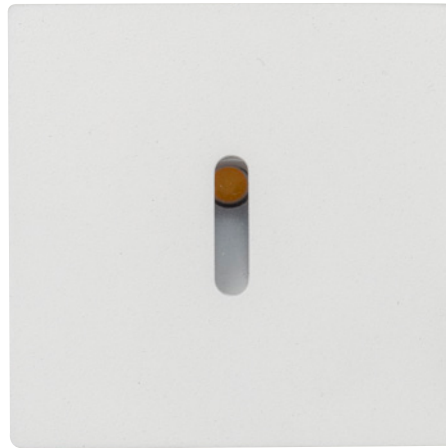
### PRODUCT DATA

STEP LIGHTS	
MATERIAL	ALUMINIUM
COLOUR/FINISH	MATT BLACK OR MATT WHITE
COLOUR TEMP.	3000K   4000K   5000K (TRI-COLOUR)
LUMEN OUTPUT	62LM   73LM   66LM
INPUT VOLTAGE	240V AC (REMOTE DRIVER)
BUILT IN LED	3W LED
DIMMING	TRIAC
CRI	90+
BEAM ANGLE	ASYMMETRIC 25°
IP RATING	IP54 (FITTING ONLY)

ALUMINIUM BLACK				
	<b>HCP-2223302</b>	3000K 4000K 5000K	62LM 73LM 66LM	3W LED
ALUMINIUM WHITE				
	<b>HCP-2233302</b>	3000K 4000K 5000K	62LM 73LM 66LM	3W LED

### OTHER DATA







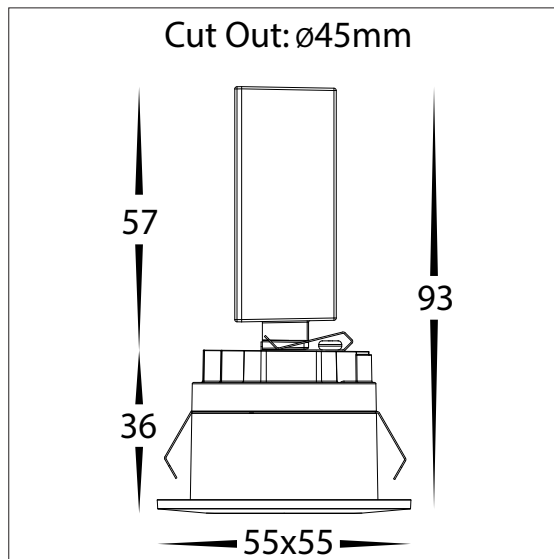
## PRODUCT ORDERING

### PRODUCT DATA

STEP LIGHTS	
MATERIAL	ALUMINIUM
COLOUR/FINISH	MATT BLACK OR MATT WHITE
COLOUR TEMP.	3000K   4000K   5000K (TRI-COLOUR)
LUMEN OUTPUT	27LM   32LM   29LM
INPUT VOLTAGE	240V AC (REMOTE DRIVER)
BUILT IN LED	3W LED
DIMMING	TRIAC
CRI	90+
BEAM ANGLE	ASYMMETRIC 25°
IP RATING	IP54 (FITTING ONLY)

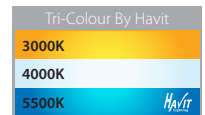
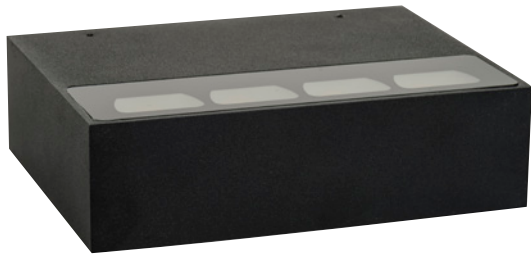
ALUMINIUM BLACK				
	<b>HCP-2224302</b>	3000K 4000K 5000K	27LM 32LM 29LM	3W LED
ALUMINIUM WHITE				
	<b>HCP-2234302</b>	3000K 4000K 5000K	27LM 32LM 29LM	3W LED

### OTHER DATA



5  
RECESSED STEP LIGHTS


# 10W ALUMINIUM WALL WASHERS



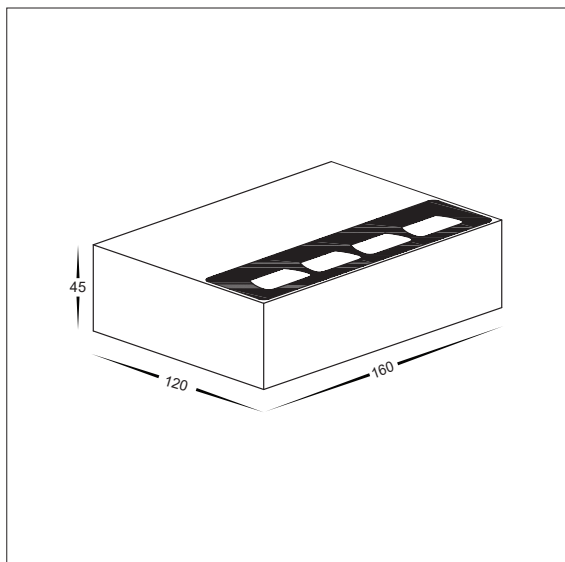
## PRODUCT ORDERING

### PRODUCT DATA

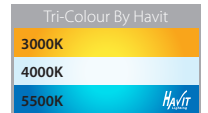
WALL WASHER	
MATERIAL	ALUMINIUM
COLOUR/FINISH	MATT BLACK OR WHITE
COLOUR TEMP.	3000K   4000K   5500K (TRI-COLOUR)
LUMEN OUTPUT	635LM   775LM   800LM
INPUT VOLTAGE	240V
BUILT IN LED	10W
DIMMING	TRIAC OR DALI
CRI	90+
BEAM ANGLE	60°
IP RATING	IP65

ALUMINIUM BLACK				
	<b>HCP-2321002</b> TRIAC	10W LED	3000K 4000K 5500K	635LM 775LM 800LM
	<b>HCP-2321004</b> DALI DIMMABLE	10W LED	3000K 4000K 5500K	635LM 775LM 800LM
ALUMINIUM WHITE				
	<b>HCP-2331002</b> TRIAC	10W LED	3000K 4000K 5500K	635LM 775LM 800LM
	<b>HCP-2331004</b> DALI DIMMABLE	10W LED	3000K 4000K 5500K	635LM 775LM 800LM

### OTHER DATA



# 30W ALUMINIUM WALL WASHERS



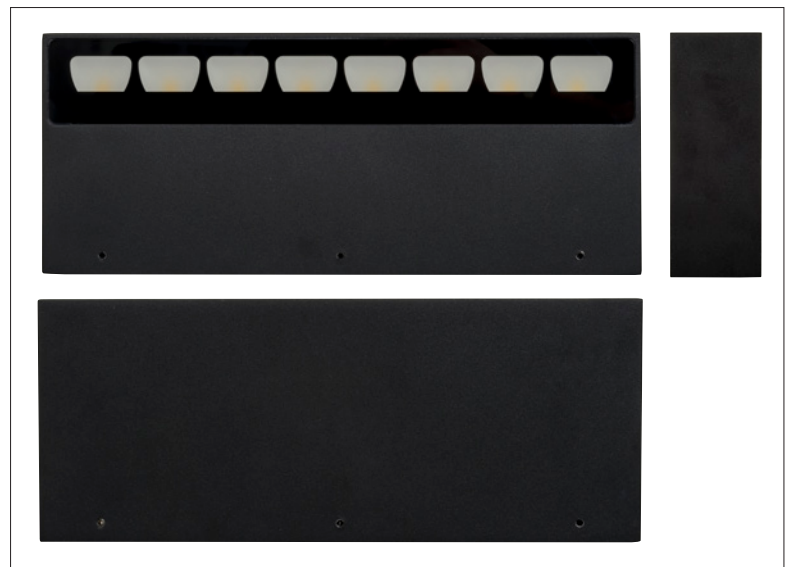
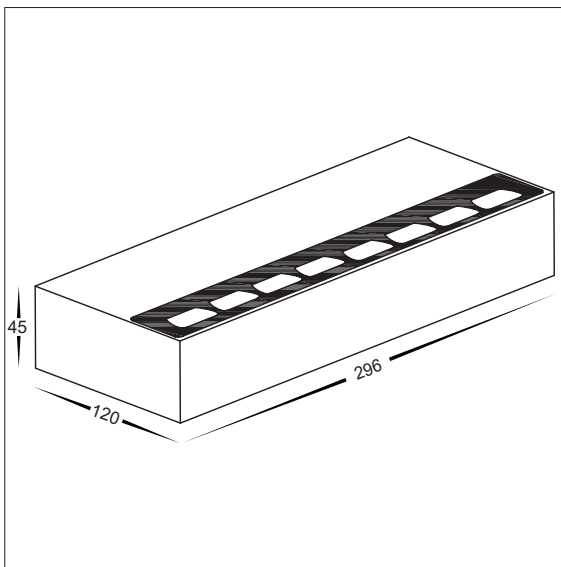
## PRODUCT ORDERING

### PRODUCT DATA

WALL WASHER	
MATERIAL	ALUMINIUM
COLOUR/FINISH	MATT BLACK OR WHITE
COLOUR TEMP.	3000K   4000K   5500K (TRI-COLOUR)
LUMEN OUTPUT	1445LM   1775LM   1850LM
INPUT VOLTAGE	240V
BUILT IN LED	30W
DIMMING	TRIAC OR DALI
CRI	90+
BEAM ANGLE	60°
IP RATING	IP65

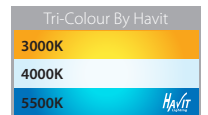
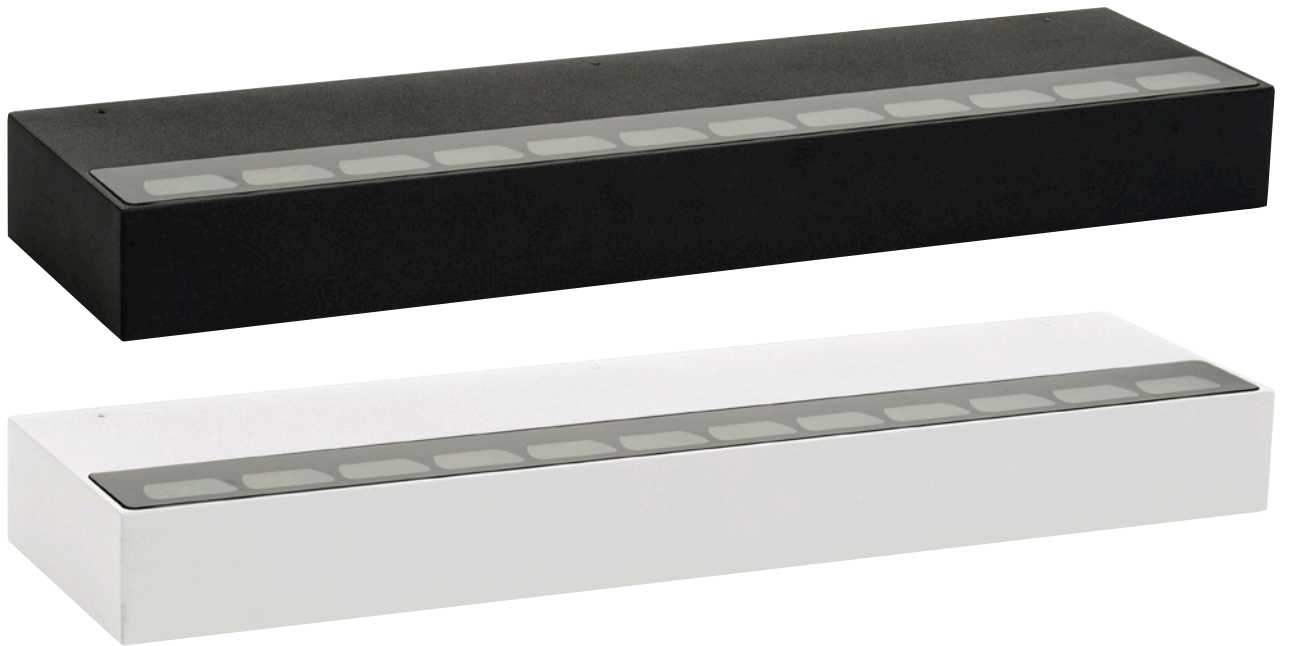
ALUMINIUM BLACK				
	<b>HCP-2323002</b> TRIAC	30W LED	3000K 4000K 5500K	1445LM 1775LM 1850LM
	<b>HCP-2323004</b> DALI DIMMABLE	30W LED	3000K 4000K 5500K	1445LM 1775LM 1850LM
ALUMINIUM WHITE				
	<b>HCP-2333002</b> TRIAC	30W LED	3000K 4000K 5500K	1445LM 1775LM 1850LM
	<b>HCP-2333004</b> DALI DIMMABLE	30W LED	3000K 4000K 5500K	1445LM 1775LM 1850LM

### OTHER DATA







# 40W ALUMINIUM WALL WASHERS



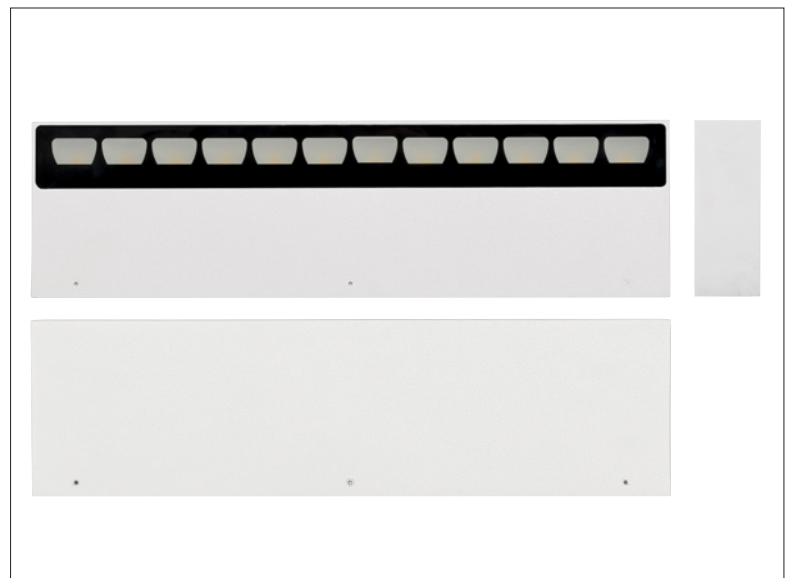
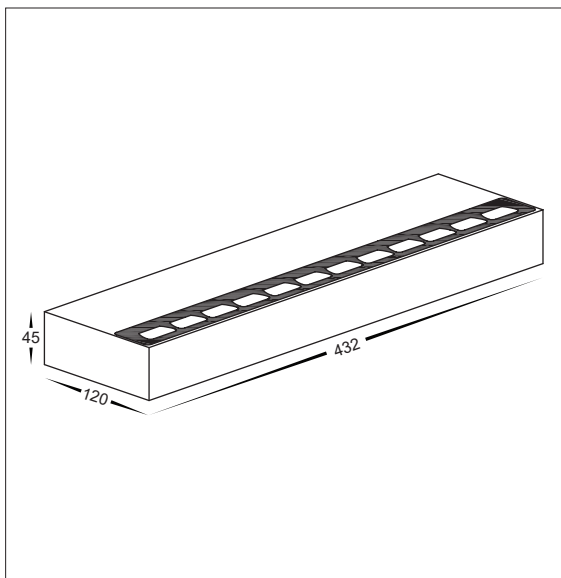
## PRODUCT ORDERING

### PRODUCT DATA

WALL WASHER	
MATERIAL	ALUMINIUM
COLOUR/FINISH	MATT BLACK OR WHITE
COLOUR TEMP.	3000K   4000K   5500K (TRI-COLOUR)
LUMEN OUTPUT	1945LM   2385LM   2465LM
INPUT VOLTAGE	240V
BUILT IN LED	40W
DIMMING	TRIAC OR DALI
CRI	90+
BEAM ANGLE	60°
IP RATING	IP65

ALUMINIUM BLACK				
	<b>HCP-2324002</b> TRIAC	40W LED	3000K 4000K 5500K	1945LM 2385LM 2465LM
	<b>HCP-2324004</b> DALI DIMMABLE	40W LED	3000K 4000K 5500K	1945LM 2385LM 2465LM
ALUMINIUM WHITE				
	<b>HCP-2334002</b> TRIAC	40W LED	3000K 4000K 5500K	1945LM 2385LM 2465LM
	<b>HCP-2334004</b> DALI DIMMABLE	40W LED	3000K 4000K 5500K	1945LM 2385LM 2465LM

### OTHER DATA



# BENDABLE WALL WASHERS



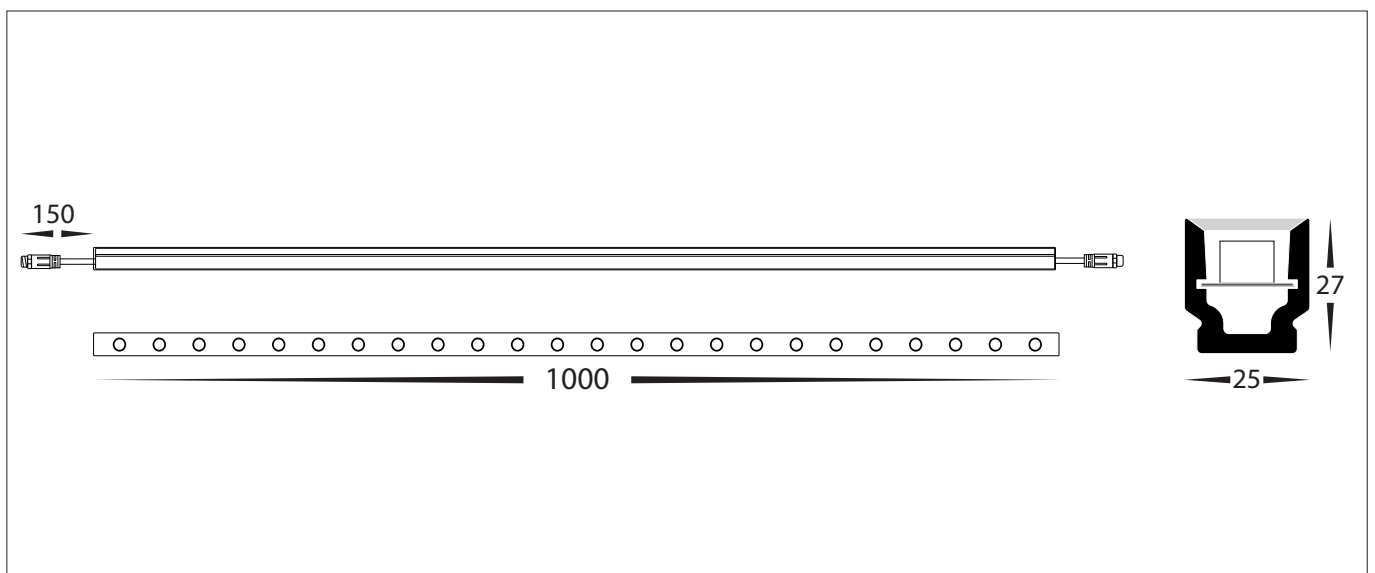
## PRODUCT DATA

18W WALL WASHER	
MATERIAL	SILICON
COLOUR/FINISH	MATT BLACK
COLOUR TEMP.	3000K   4000K   6000K
LUMEN OUTPUT	1195LM   1210LM   1310LM
INPUT VOLTAGE	24V DC
BUILT-IN LED	18W LED
DIMMING	NO
MOUNTING	SUPPLIED WITH 4X CLIPS PER METRE
CRI	80+
BEAM ANGLE	45°
IP RATING	IP65

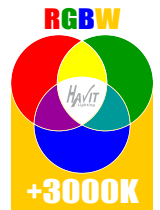
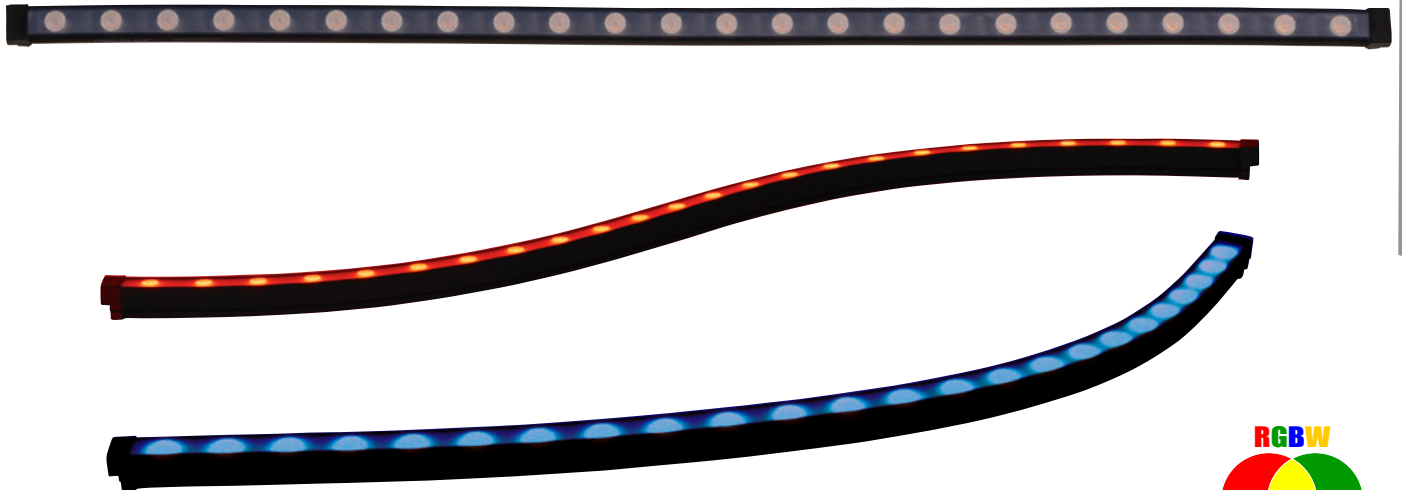
## PRODUCT ORDERING

SILICON BLACK				
	<b>HCP-247183-45</b>	18W LED	3000K	1195LM
	<b>HCP-247184-45</b>	18W LED	4000K	1210LM
	<b>HCP-247186-45</b>	18W LED	6000K	1310LM
CHANNEL				
	<b>HCP-24718-BEND</b>	BENDABLE ALUMINIUM CHANNEL - 1M LENGTHS		
	<b>HCP-24718-ALU</b>	ALUMINIUM CHANNEL - 1M LENGTHS		

## OTHER DATA










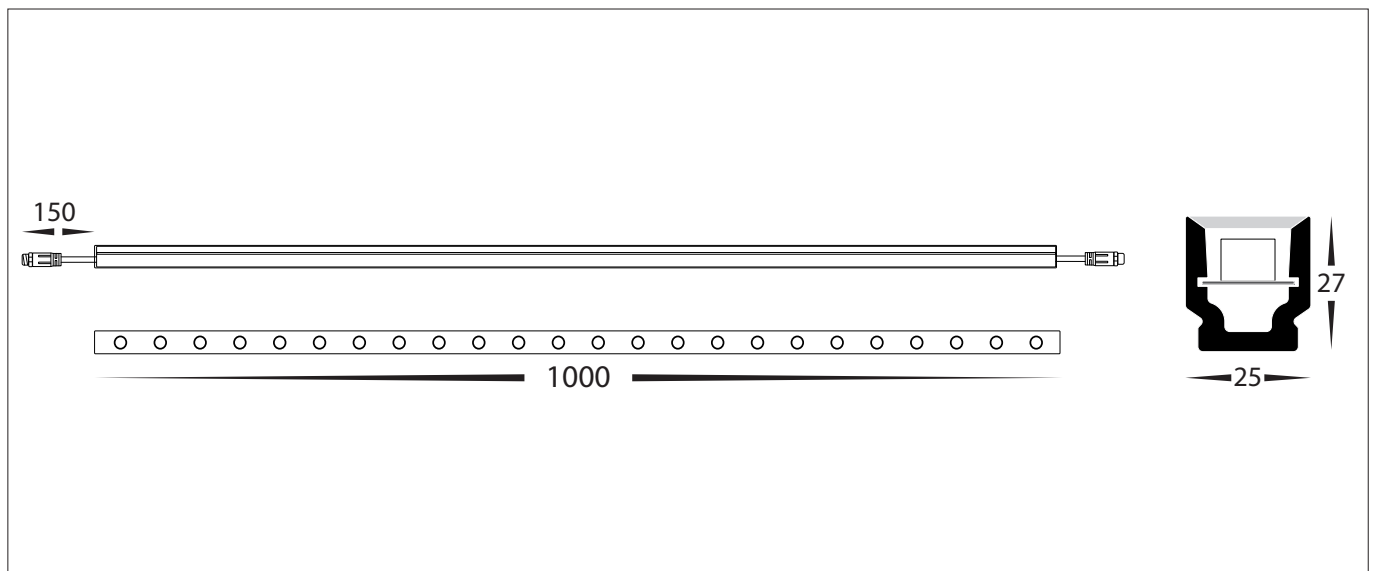
## PRODUCT DATA

18W WALL WASHER	
MATERIAL	SILICON
COLOUR/FINISH	MATT BLACK
COLOUR TEMP.	RGBW
LUMEN OUTPUT	278LM (3000K)
INPUT VOLTAGE	24V DC
BUILT-IN LED	18W LED
DIMMING	YES WITH CONTROLLER
MOUNTING	SUPPLIED WITH 4X CLIPS PER METRE
CRI	80+
BEAM ANGLE	45°
IP RATING	IP65

## PRODUCT ORDERING

SILICON BLACK				
	<b>HCP-247181-45</b>	18W LED	RGB + 3000K	278LM (3000K)
CHANNEL				
	<b>HCP-24718-BEND</b>	BENDABLE ALUMINIUM CHANNEL - 1M LENGTHS		
	<b>HCP-24718-ALU</b>	ALUMINIUM CHANNEL - 1M LENGTHS		

## OTHER DATA



# WALL WASHERS



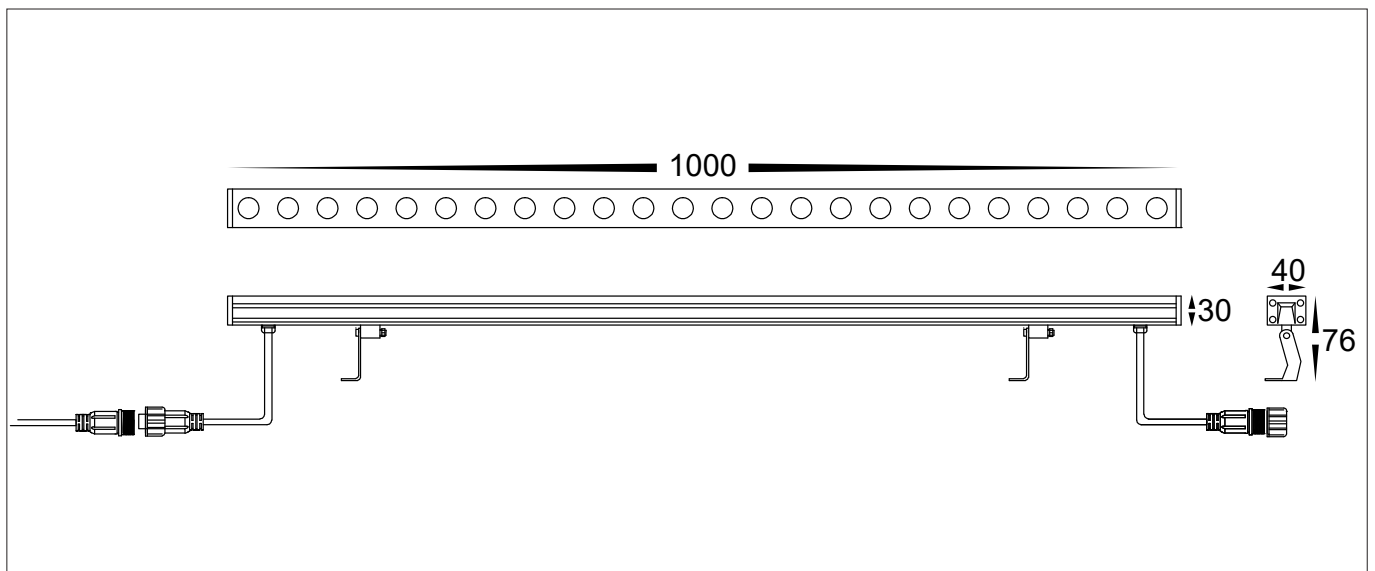
## PRODUCT DATA

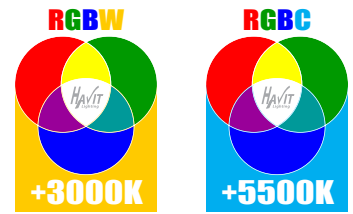
24W WALL WASHER	
MATERIAL	ALUMINIUM
COLOUR/FINISH	MATT BLACK
COLOUR TEMP.	3000K   4000K   5000K
LUMEN OUTPUT	1835LM   1850LM   2010LM
INPUT VOLTAGE	24V DC
BUILT-IN LED	24W LED
DIMMING	YES
CRI	RA >80
BEAM ANGLE	45°
IP RATING	IP65

## PRODUCT ORDERING

ALUMINIUM BLACK				
	<b>HCP-247243-45</b>	24W LED	3000K	1835LM
	<b>HCP-247244-45</b>	24W LED	4000K	1850LM
	<b>HCP-247245-45</b>	24W LED	5000K	2010LM
CABLE EXTENSION				
	<b>HCP-24700-EXT</b>	1500MM EXTENSION CABLE TO CONNECT 2X FITTINGS TOGETHER		

## OTHER DATA





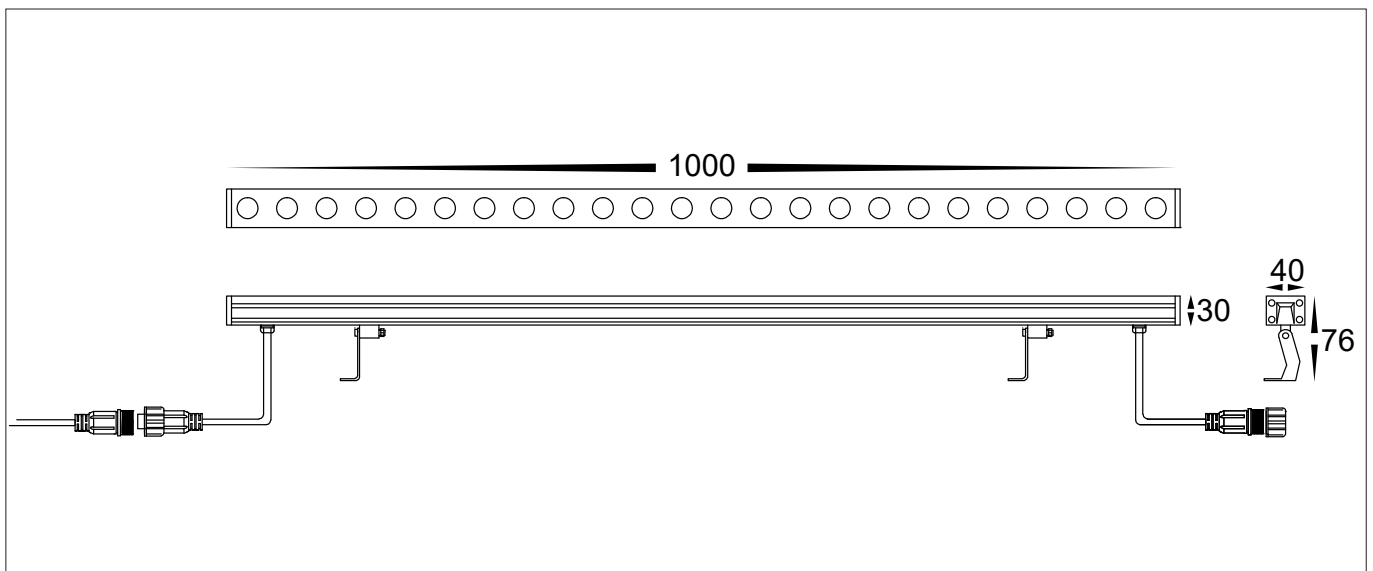
## PRODUCT DATA

24W WALL WASHER	
MATERIAL	ALUMINIUM
COLOUR/FINISH	MATT BLACK
COLOUR TEMP.	RGBC AND RGBW
LUMEN OUTPUT	1270LM   1276LM
INPUT VOLTAGE	24V DC
BUILT-IN LED	24W LED
DIMMING	YES WITH CONTROLLER
CRI	RA >80
BEAM ANGLE	45°
IP RATING	IP65

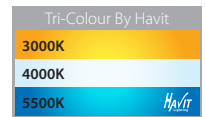
## PRODUCT ORDERING

ALUMINIUM BLACK				
	<b>HCP-247240-45</b>	24W LED	RGB + 5500K	1270LM (5500K)
	<b>HCP-247241-45</b>	24W LED	RGB + 3000K	1276LM (3000K)
CABLE EXTENSION				
	<b>HCP-24701-EXT</b>	1500MM EXTENSION CABLE TO CONNECT 2X FITTINGS TOGETHER		

## OTHER DATA






# IP65 LED BATTENS



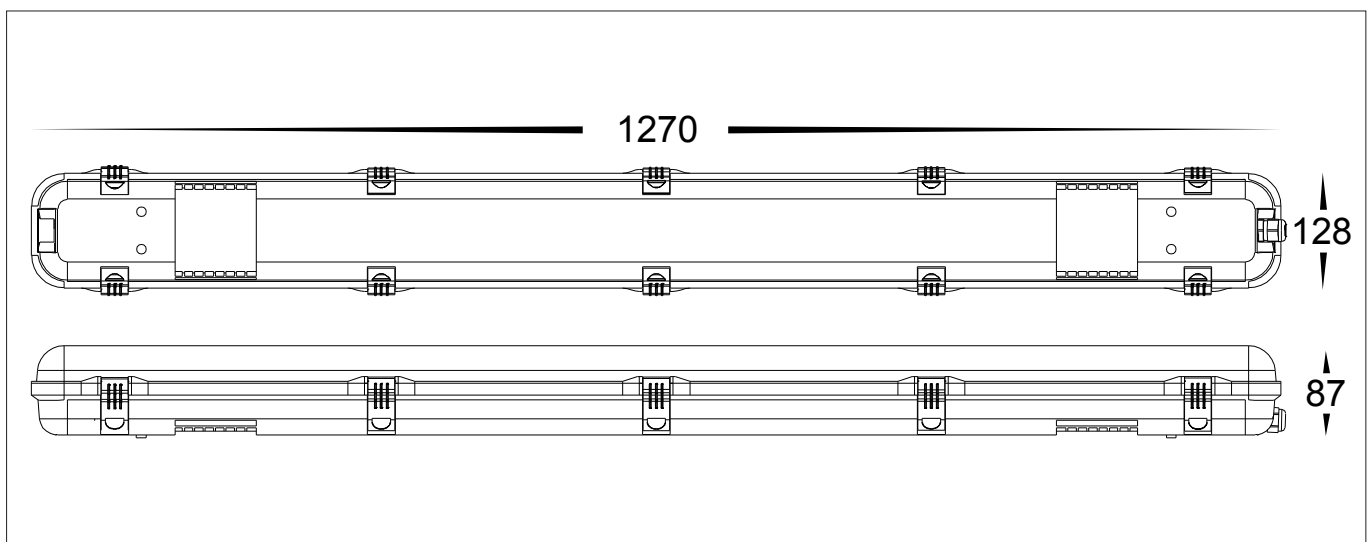
## PRODUCT DATA

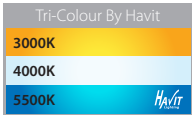
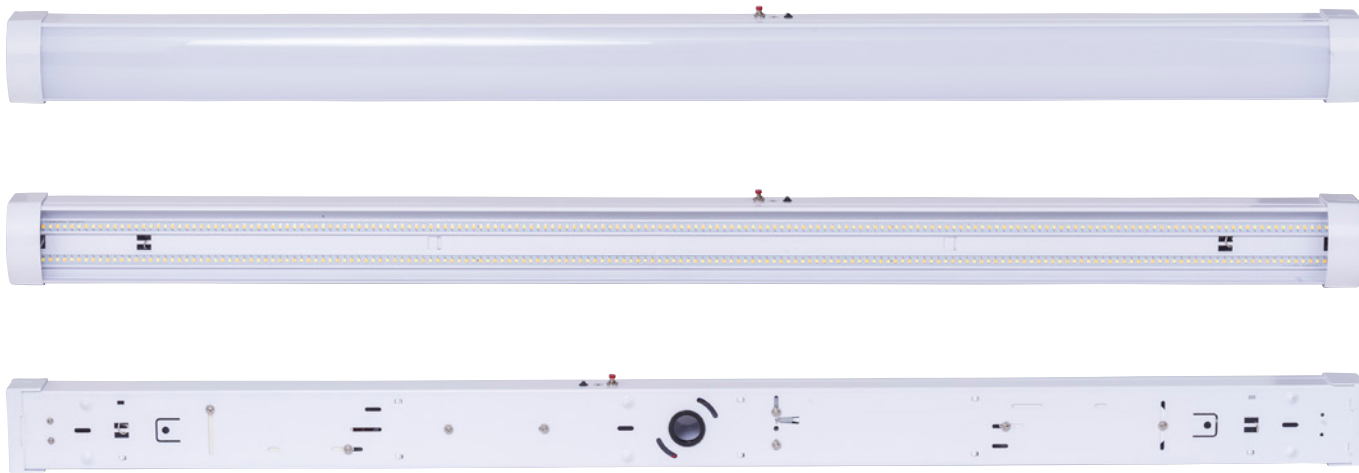
20/40W IP65 LED BATTEN	
MATERIAL	PC + STAINLESS STEEL CLIPS
COLOUR/FINISH	MATT WHITE + GREY
COLOUR TEMP.	3000K   4000K   5500K (TRI-COLOUR)
LUMEN OUTPUT	3261LM   3649LM   3400LM
INPUT VOLTAGE	240V AC
BUILT-IN LED	20W OR 40W (SELECTOR ON DRIVER)
MANUAL TEST SWITCH	YES (ON EMERGENCY MODEL ONLY)
CRI	RA >80
BEAM ANGLE	120°
IP RATING	IP65
IK RATING	IK08

## PRODUCT ORDERING

NON EMERGENCY				
	<b>HCP-238400</b>	40W LED	3000K 4000K 5500K	3261LM 3649LM 3400LM
EMERGENCY				
	<b>HCP-238400-EM</b>	40W LED	3000K 4000K 5500K	3261LM 3649LM 3400LM
ACCESSORIES				
	<b>HCP-23840-MC</b>	<b>MICROWAVE SENSOR</b> INPUT VOLTAGE: DC5V - 12V 5.8GHZ C/W RADAR TIME DELAY: 2 SEC-10MIN IP RATING: IP20 STAND BY OUTPUT: 0-50% DETECTION DISTANCE: UP TO 15M DETECTION ANGLE: 360°		

## OTHER DATA








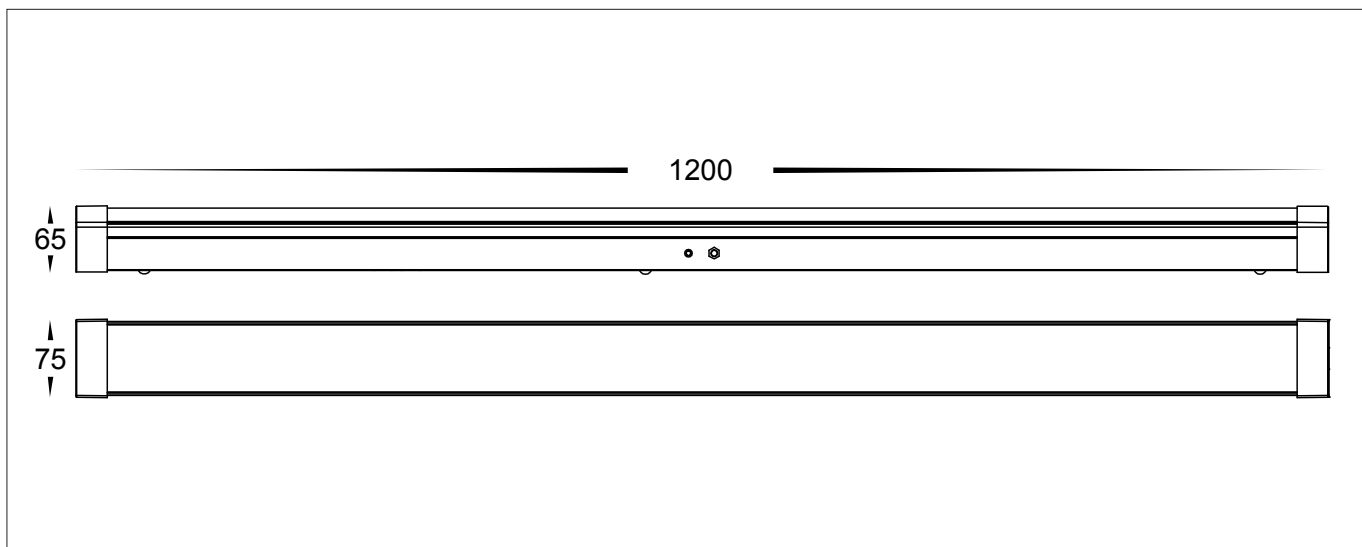
## PRODUCT ORDERING

## PRODUCT DATA

20/40W IP20 LED BATTEN	
MATERIAL	ALUMINIUM +PC
COLOUR/FINISH	MATT WHITE
COLOUR TEMP.	3000K   4000K   5500K (TRI-COLOUR)
LUMEN OUTPUT	2704LM   3127LM   2845LM
INPUT VOLTAGE	240V AC
BUILT-IN LED	20W OR 40W (SELECTOR ON DRIVER)
MANUAL TEST SWITCH	YES (ON EMERGENCY MODEL ONLY)
CRI	RA >80
BEAM ANGLE	120°
IP RATING	IP20
IK RATING	IK08

NON EMERGENCY				
	<b>HCP-238401</b>	40W LED	3000K 4000K 5500K	2704LM 3127LM 2845LM
EMERGENCY				
	<b>HCP-238401-EM</b>	40W LED	3000K 4000K 5500K	2704LM 3127LM 2845LM
ACCESSORIES				
	<b>HCP-23840-MC</b>	<b>MICROWAVE SENSOR</b> INPUT VOLTAGE: DC5V - 12V 5.8GHZ C/W RADAR TIME DELAY: 2 SEC-10MIN IP RATING: IP20 STAND BY OUTPUT: 0-50% DETECTION DISTANCE: UP TO 15M DETECTION ANGLE: 360°		

## OTHER DATA



# 3W 316 STAINLESS STEEL GARDEN LIGHT

## PRODUCT DATA

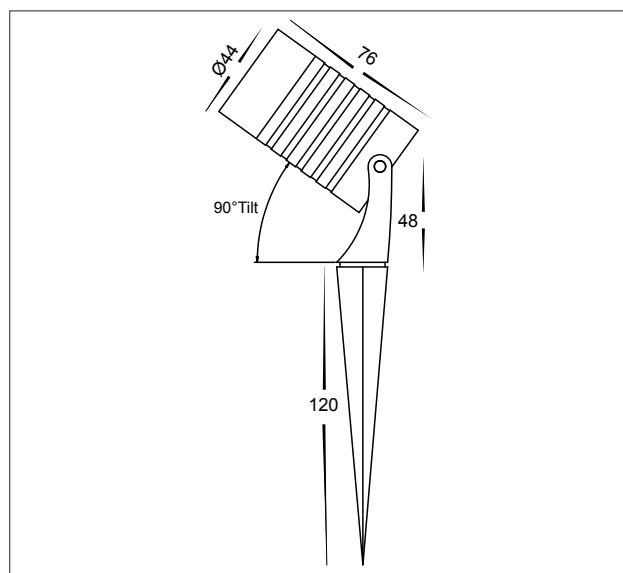
3W GARDEN LIGHT	
MATERIAL	316 STAINLESS STEEL
COLOUR/FINISH	GLOSS STAINLESS STEEL
COLOUR TEMP.	3000K   4000K   5500K
LUMEN OUTPUT	222LM   223LM   224LM
INPUT VOLTAGE	24V DC
BUILT-IN LED	3W
DIMMING	NO
CRI	RA >80
BEAM ANGLE	36°
IP RATING	IP65

## PRODUCT ORDERING

316 STAINLESS STEEL				
	<b>HCP-241033</b>	3000K	222LM	3W LED
	<b>HCP-241034</b>	4000K	223LM	
	<b>HCP-241035</b>	5500K	224LM	



## OTHER DATA




# 7W 316 STAINLESS STEEL GARDEN LIGHT

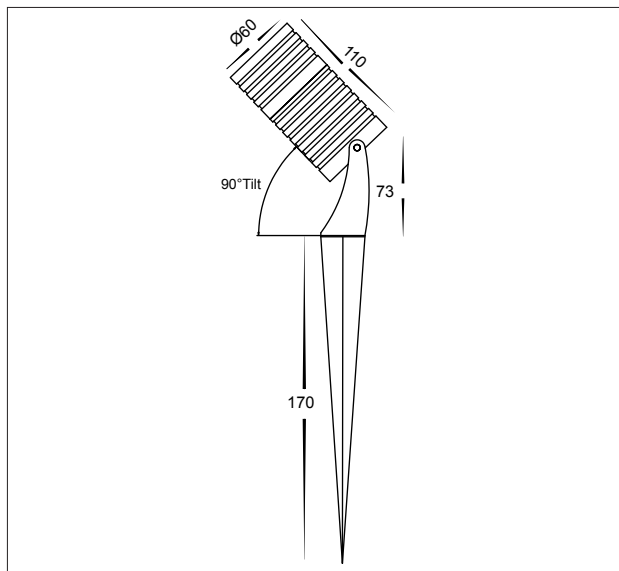
## PRODUCT DATA

7W GARDEN LIGHT	
MATERIAL	316 STAINLESS STEEL
COLOUR/FINISH	GLOSS STAINLESS STEEL
COLOUR TEMP.	3000K   4000K   5500K (TRI-COLOUR)
LUMEN OUTPUT	461LM   503LM   511LM
INPUT VOLTAGE	24V DC
BUILT-IN LED	7W
DIMMING	NO
CRI	RA >80
BEAM ANGLE	36°
IP RATING	IP65

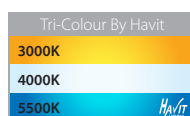
## PRODUCT ORDERING

316 STAINLESS STEEL				
	<b>HCP-241070</b>	7W LED	3000K 4000K 5500K	461LM 503LM 511LM

## OTHER DATA



GARDEN LIGHTS 00



# 12W 316 STAINLESS STEEL GARDEN LIGHT

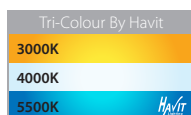
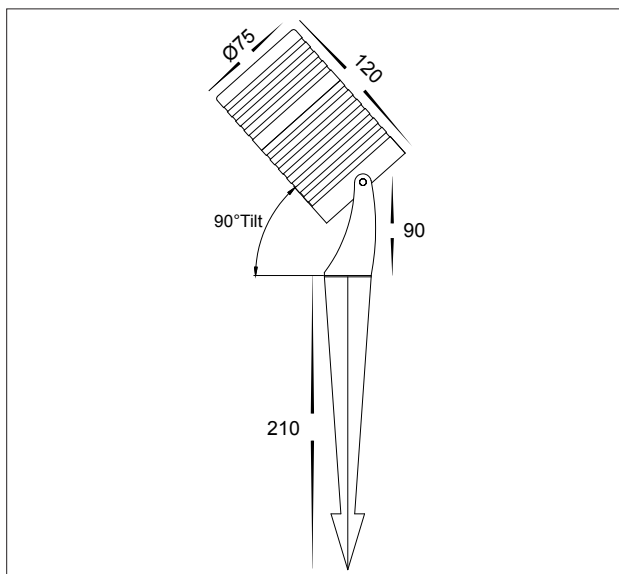
## PRODUCT DATA

12W GARDEN LIGHT	
MATERIAL	316 STAINLESS STEEL
COLOUR/FINISH	GLOSS STAINLESS STEEL
COLOUR TEMP.	3000K   4000K   5500K (TRI-COLOUR)
LUMEN OUTPUT	845LM   998LM   1003LM
INPUT VOLTAGE	24V DC
BUILT-IN LED	12W
DIMMING	NO
CRI	RA >80
BEAM ANGLE	60°
IP RATING	IP65

## PRODUCT ORDERING

316 STAINLESS STEEL				
	<b>HCP-241120</b>	12W LED	3000K 4000K 5500K	845LM 998LM 1003LM

## OTHER DATA






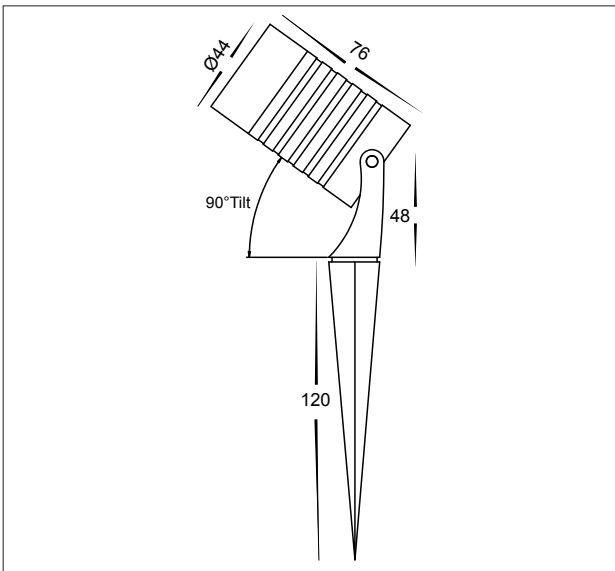
## PRODUCT DATA

3W GARDEN LIGHT	
MATERIAL	ALUMINIUM
COLOUR/FINISH	MATT BLACK
COLOUR TEMP.	3000K   4000K   5500K
LUMEN OUTPUT	222LM   223LM   224LM
INPUT VOLTAGE	24V DC
BUILT-IN LED	3W
DIMMING	NO
CRI	RA >80
BEAM ANGLE	36°
IP RATING	IP65

## PRODUCT ORDERING

ALUMINIUM BLACK				
	<b>HCP-242033</b>	3000K	222LM	3W LED
	<b>HCP-242034</b>	4000K	223LM	
	<b>HCP-242035</b>	5500K	224LM	

## OTHER DATA



# 7W BLACK GARDEN LIGHT

## PRODUCT DATA

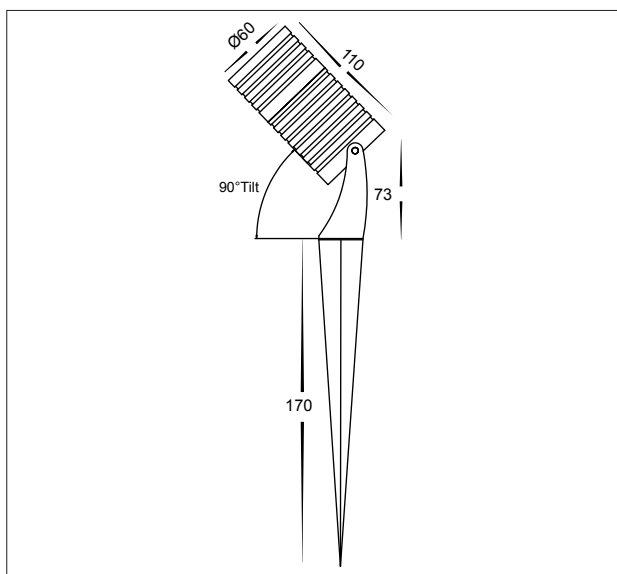
7W GARDEN LIGHT	
MATERIAL	ALUMINIUM
COLOUR/FINISH	MATT BLACK
COLOUR TEMP.	3000K   4000K   5500K (TRI-COLOUR)
LUMEN OUTPUT	461LM   503LM   511LM
INPUT VOLTAGE	24V DC
BUILT-IN LED	7W
DIMMING	NO
CRI	RA >80
BEAM ANGLE	36°
IP RATING	IP65



## PRODUCT ORDERING

ALUMINIUM BLACK				
	<b>HCP-242070</b>	7W LED	3000K 4000K 5500K	461LM 503LM 511LM

## OTHER DATA



# 12W BLACK GARDEN LIGHT


## PRODUCT DATA

12W GARDEN LIGHT	
MATERIAL	ALUMINIUM
COLOUR/FINISH	MATT BLACK
COLOUR TEMP.	3000K   4000K   5500K (TRI-COLOUR)
LUMEN OUTPUT	845LM   998LM   1003LM
INPUT VOLTAGE	24V DC
BUILT-IN LED	12W
DIMMING	NO
CRI	RA >80
BEAM ANGLE	60°
IP RATING	IP65

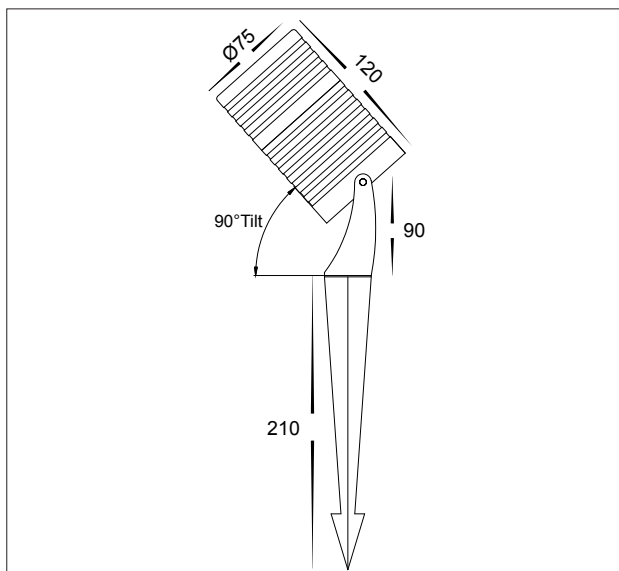


GARDEN LIGHTS 00

## PRODUCT ORDERING

ALUMINIUM BLACK				
	<b>HCP-242120</b>	12W LED	3000K 4000K 5500K	845LM 998LM 1003LM

## OTHER DATA



# 18W BLACK GARDEN LIGHT

## PRODUCT DATA

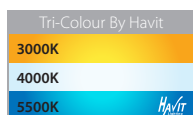
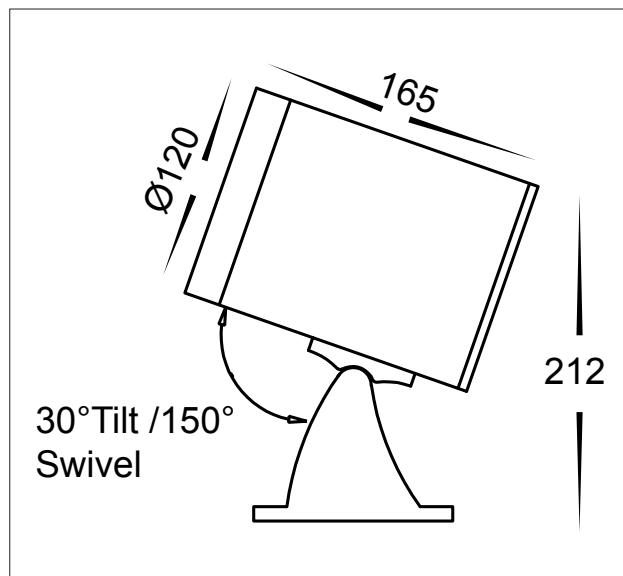
18W GARDEN LIGHT	
MATERIAL	ALUMINIUM
COLOUR/FINISH	MATT BLACK
COLOUR TEMP.	3000K   4000K   5500K (TRI-COLOUR)
LUMEN OUTPUT	1620LM   1710LM   1800LM
INPUT VOLTAGE	24V DC
BUILT-IN LED	18W
DIMMING	NO
CRI	RA >80
BEAM ANGLE	60°
IP RATING	IP65



## PRODUCT ORDERING

ALUMINIUM BLACK					
	<b>HCP-242180</b>	18W LED	3000K 4000K 5500K	1620LM 1710LM 1800LM	

## OTHER DATA



## PRODUCT DATA

9W SPOT LIGHT	
MATERIAL	ALUMINIUM
COLOUR/FINISH	MATT BLACK
COLOUR TEMP.	3000K   4000K   5500K (TRI-COLOUR)
LUMEN OUTPUT	327LM   359LM   360LM
INPUT VOLTAGE	240V AC OR 24V DC (SUPPLIED WITH FLEX AND PLUG - 240V MODEL ONLY)
BUILT-IN LED	9W LED
DIMMING	TRIAC (240V MODEL ONLY)
CRI	RA >80
BEAM ANGLE	30°
IP RATING	IP65

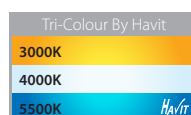
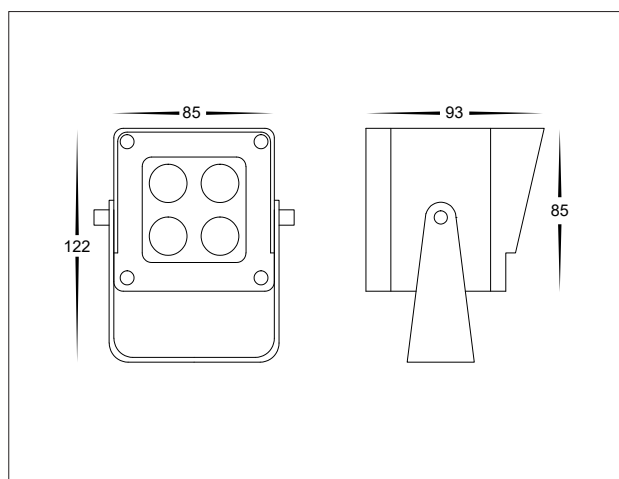
\* Spike can only be used with 24v DC Model



## PRODUCT ORDERING

ALUMINIUM BLACK				
	<b>HCP-242091</b>	9W LED	3000K 4000K 5500K	327LM 359LM 360LM
	<b>HCP-242091-24V</b>	9W LED	3000K 4000K 5500K	327LM 359LM 360LM

## OTHER DATA



# 18W BLACK SPOT LIGHT

## PRODUCT DATA

18W SPOT LIGHT	
MATERIAL	ALUMINIUM
COLOUR/FINISH	MATT BLACK
COLOUR TEMP.	3000K   4000K   5500K (TRI-COLOUR)
LUMEN OUTPUT	880LM   905LM   905LM
INPUT VOLTAGE	240V AC OR 24V DC (SUPPLIED WITH FLEX AND PLUG - 240V MODEL ONLY)
BUILT-IN LED	18W LED
DIMMING	TRIAC (240V MODEL ONLY)
CRI	RA >80
BEAM ANGLE	30°
IP RATING	IP65

\* Spike can only be used with 24v DC Model

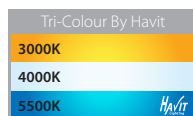
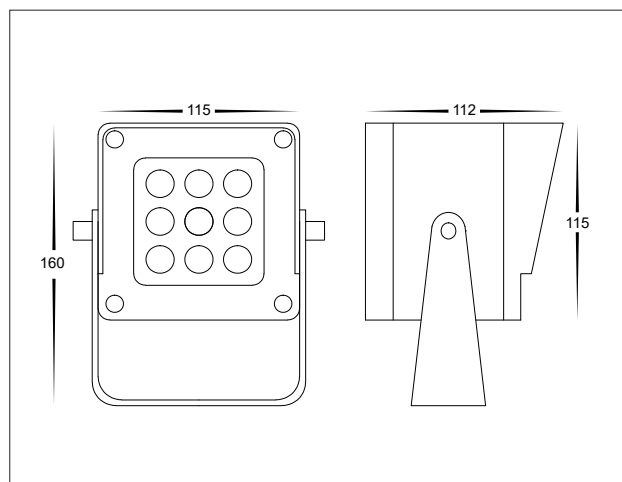


## PRODUCT ORDERING

ALUMINIUM BLACK				
	<b>HCP-242181</b>	18W LED	3000K 4000K 5500K	880LM 905LM 905LM
	<b>HCP-242181-24V</b>	18W LED	3000K 4000K 5500K	880LM 905LM 905LM



## OTHER DATA



# 36W BLACK SPOT LIGHT



### PRODUCT DATA

36W SPOT LIGHT	
MATERIAL	ALUMINIUM
COLOUR/FINISH	MATT BLACK
COLOUR TEMP.	3000K   4000K   5500K (TRI-COLOUR)
LUMEN OUTPUT	1445LM   1897LM   1905LM
INPUT VOLTAGE	240V AC OR 24V DC (SUPPLIED WITH FLEX AND PLUG - 240V MODEL ONLY)
BUILT-IN LED	36W LED
DIMMING	TRIAC (240V MODEL ONLY)
CRI	RA >80
BEAM ANGLE	30°
IP RATING	IP65

\* Spike can only be used with 24v DC Model

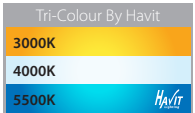
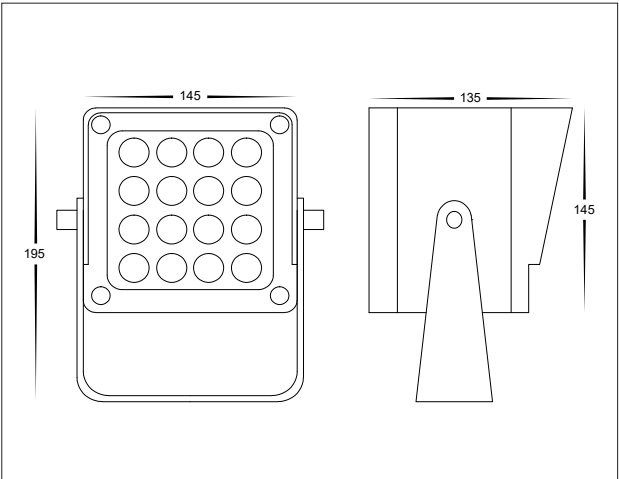
### PRODUCT ORDERING

ALUMINIUM BLACK				
	<b>HCP-242361</b>	36W LED	3000K 4000K 5500K	1445LM 1897LM 1905LM
	<b>HCP-242361-24V</b>	36W LED	3000K 4000K 5500K	1445LM 1897LM 1905LM



GARDEN LIGHTS 00

### OTHER DATA



# 6W WIFI + IR SPOT LIGHT

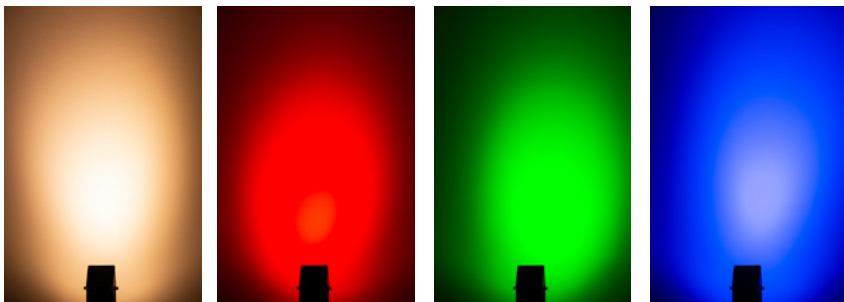
## PRODUCT DATA

WIFI + IR SPOT LIGHT	
MATERIAL	ALUMINIUM
COLOUR/FINISH	MATT BLACK
COLOUR TEMP.	RGBW (RGB + 3000K)
LUMEN OUTPUT	230LM (3000K)
INPUT VOLTAGE	240V OR 24V DC (240V MODEL SUPPLIED WITH FLEX & PLUG)
BUILT-IN LED	6W LED
DIMMING	YES - WITH APP OR REMOTE
CRI	80+
BEAM ANGLE	30°
IP RATING	IP65

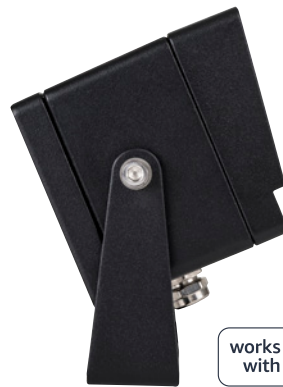
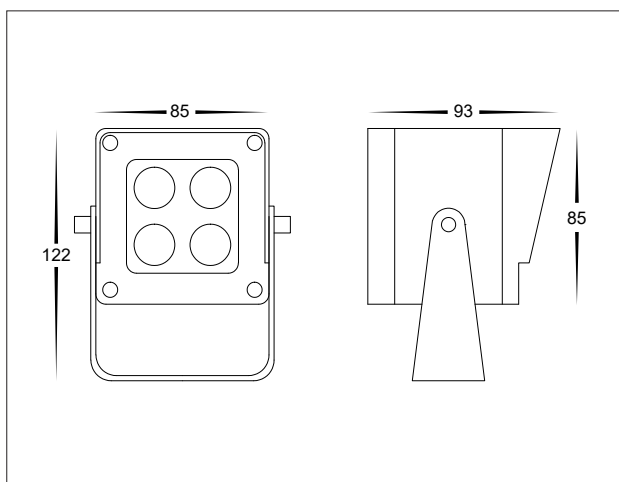


## PRODUCT ORDERING

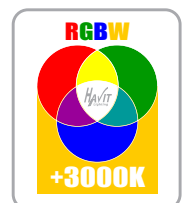
ALUMINIUM BLACK				
	<b>HCP-242062</b>	6W LED	RGBW	230LM (3000K)
	<b>HCP-242062-24V</b>	6W LED	RGBW	230LM (3000K)



## OTHER DATA



Compatible with major smart home systems.




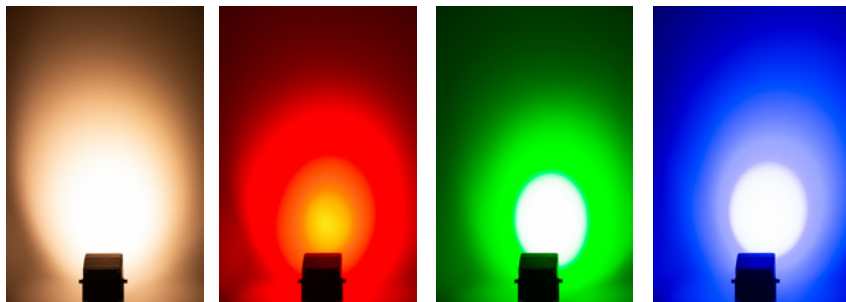


## PRODUCT DATA

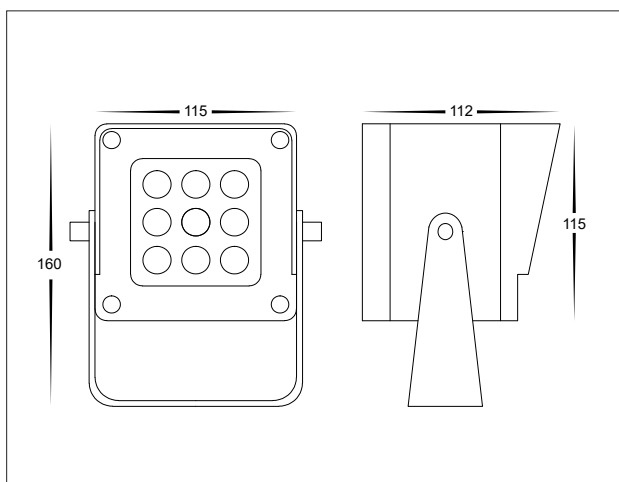
WIFI + IR SPOT LIGHT	
MATERIAL	ALUMINIUM
COLOUR/FINISH	MATT BLACK
COLOUR TEMP.	RGBW (RGB + 3000K)
LUMEN OUTPUT	650LM (3000K)
INPUT VOLTAGE	240V OR 24V DC (240V MODEL SUPPLIED WITH FLEX & PLUG)
BUILT-IN LED	18W LED
DIMMING	YES - WITH APP OR REMOTE
CRI	80+
BEAM ANGLE	30°
IP RATING	IP65

## PRODUCT ORDERING

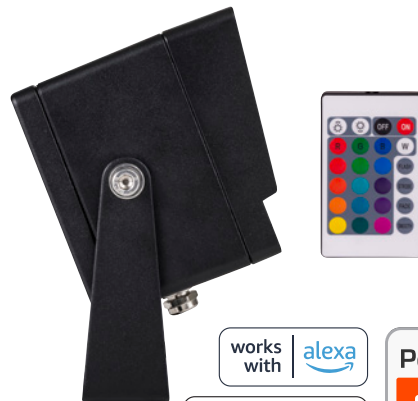
ALUMINIUM BLACK				
	<b>HCP-242182</b>	18W LED	RGBW	650LM (3000K)
	<b>HCP-242182-24V</b>	18W LED	RGBW	650LM (3000K)



## OTHER DATA



GARDEN LIGHTS 00



works with alexa

works with Hey Google

Powered by tuya Intelligence Inside

RGBW +3000K

Compatible with major smart home systems.




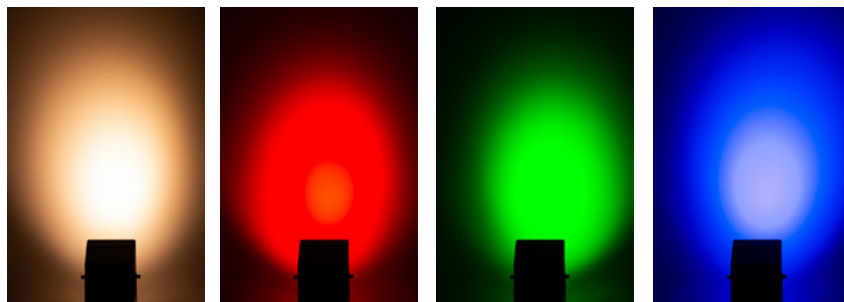
# 30W WIFI + IR SPOT LIGHT

## PRODUCT DATA

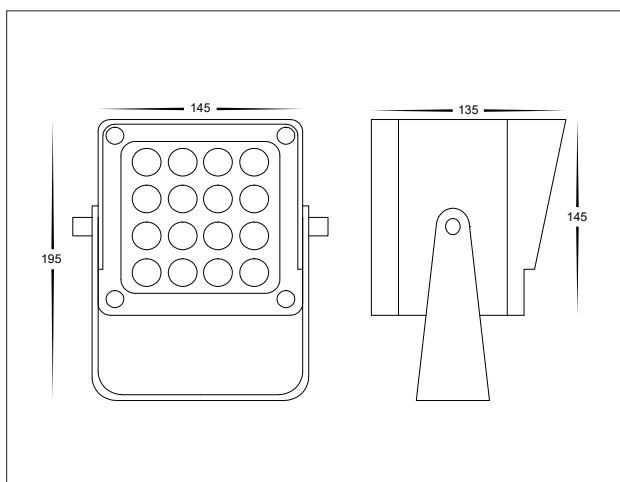
WIFI + IR SPOT LIGHT	
MATERIAL	ALUMINIUM
COLOUR/FINISH	MATT BLACK
COLOUR TEMP.	RGBW (RGB + 3000K)
LUMEN OUTPUT	1100LM (3000K)
INPUT VOLTAGE	240V OR 24V DC (240V MODEL SUPPLIED WITH FLEX & PLUG)
BUILT-IN LED	30W LED
DIMMING	YES - WITH APP OR REMOTE
CRI	80+
BEAM ANGLE	30°
IP RATING	IP65

## PRODUCT ORDERING

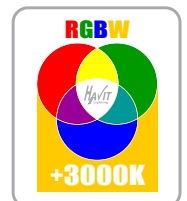
ALUMINIUM BLACK				
	<b>HCP-242302</b>	30W LED	RGBW	1100LM (3000K)
	<b>HCP-242302-24V</b>	30W LED	RGBW	1100LM (3000K)



## OTHER DATA



GARDEN LIGHTS 00



Compatible with major smart home systems.

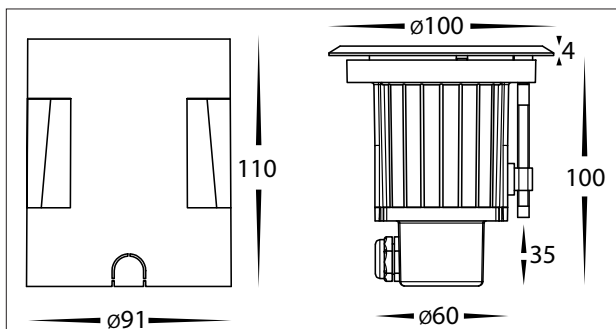
# 3W 316 STAINLESS STEEL ADJUSTABLE INGROUND LIGHTS



## PRODUCT DATA

3W 316 STAINLESS STEEL ADJUSTABLE INGROUND LIGHTS	
MATERIAL	316 STAINLESS STEEL + ALUMINIUM
COLOUR/FINISH	STAINLESS STEEL
COLOUR TEMP.	3000K   4000K   5000K
LUMEN OUTPUT	124LM   130LM   138LM
INPUT VOLTAGE	24V DC
BUILT-IN LED	3W
DIMMING	NO
CRI	RA >80
BEAM ANGLE	6°
TILT	ADJUSTABLE UP TO 5°
IP RATING	IP67
IK RATING	IK10
TRAFFICABLE	1000KG
FACE DIAMETER	100MM
INSTALLATION DEPTH	120MM
CUT OUT (WITH CANISTER)	91MM
CUT OUT (WITHOUT CANISTER)	88MM

## OTHER DATA



## PRODUCT ORDERING

316 STAINLESS STEEL				
	<b>HCP-251033</b>	3W LED	3000K	124LM
	<b>HCP-251034</b>	3W LED	4000K	130LM
	<b>HCP-251035</b>	3W LED	5000K	138LM

Adequate drainage must be allowed when installed. Refer installation instructions at [HavitCommercial.com.au](http://HavitCommercial.com.au)



ADJUSTMENT TOOL  
(SUPPLIED WITH FITTING)

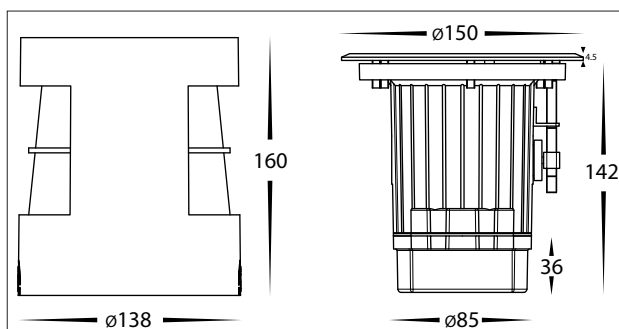
# 4.5W 316 STAINLESS STEEL ADJUSTABLE INGROUND LIGHTS



## PRODUCT DATA

4.5W 316 STAINLESS STEEL ADJUSTABLE INGROUND LIGHTS	
MATERIAL	316 STAINLESS STEEL + ALUMINIUM
COLOUR/FINISH	STAINLESS STEEL
COLOUR TEMP.	3000K   4000K   5000K
LUMEN OUTPUT	282LM   288LM   303LM
INPUT VOLTAGE	24V DC
BUILT-IN LED	4.5W
DIMMING	NO
CRI	RA >80
BEAM ANGLE	30°
TILT	ADJUSTABLE UP TO 15°
IP RATING	IP67
IK RATING	IK10
TRAFFICABLE	1000KG
FACE DIAMETER	150MM
INSTALLATION DEPTH	170MM
CUT OUT (WITH CANISTER)	138MM
CUT OUT (WITHOUT CANISTER)	135MM

## OTHER DATA



## PRODUCT ORDERING

316 STAINLESS STEEL				
	<b>HCP-251043</b>	4.5W LED	3000K	282LM
	<b>HCP-251044</b>	4.5W LED	4000K	288LM
	<b>HCP-251045</b>	4.5W LED	5000K	303LM

Adequate drainage must be allowed when installed. Refer installation instructions at [HavitCommercial.com.au](http://HavitCommercial.com.au)



ADJUSTMENT TOOL (SUPPLIED WITH FITTING)

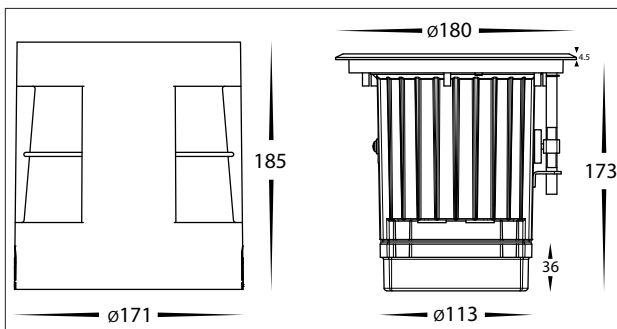
# 13.5W 316 STAINLESS STEEL ADJUSTABLE INGROUND LIGHTS



## PRODUCT DATA

13.5W 316 STAINLESS STEEL ADJUSTABLE INGROUND LIGHTS	
MATERIAL	316 STAINLESS STEEL + ALUMINIUM
COLOUR/FINISH	STAINLESS STEEL
COLOUR TEMP.	3000K   4000K   5000K
LUMEN OUTPUT	824LM   916LM   841LM
INPUT VOLTAGE	24V DC
BUILT-IN LED	13.5W
DIMMING	NO
CRI	RA >80
BEAM ANGLE	30°
TILT	ADJUSTABLE UP TO 15°
IP RATING	IP67
IK RATING	IK10
TRAFFICABLE	1000KG
FACE DIAMETER	180MM
INSTALLATION DEPTH	200MM
CUT OUT (WITH CANISTER)	171MM
CUT OUT (WITHOUT CANISTER)	160MM

## OTHER DATA



## PRODUCT ORDERING

316 STAINLESS STEEL				
	<b>HCP-251133</b>	13.5W LED	3000K	828LM
	<b>HCP-251134</b>	13.5W LED	4000K	916LM
	<b>HCP-251135</b>	13.5W LED	5000K	841LM

Adequate drainage must be allowed when installed. Refer installation instructions at [HavitCommercial.com.au](http://HavitCommercial.com.au)



ADJUSTMENT TOOL  
(SUPPLIED WITH FITTING)

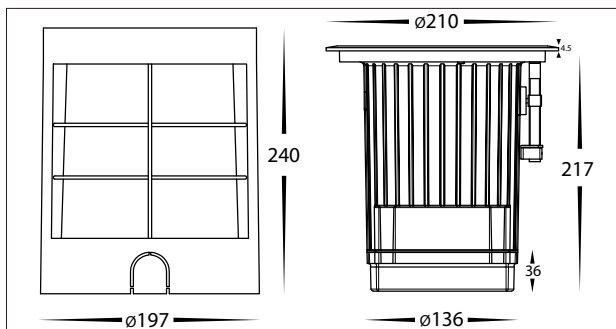
# 18W 316 STAINLESS STEEL ADJUSTABLE INGROUND LIGHTS



## PRODUCT DATA

18W 316 STAINLESS STEEL ADJUSTABLE INGROUND LIGHTS	
MATERIAL	316 STAINLESS STEEL + ALUMINIUM
COLOUR/FINISH	STAINLESS STEEL
COLOUR TEMP.	3000K   4000K   5000K
LUMEN OUTPUT	1162LM   1252LM   1237LM
INPUT VOLTAGE	24V DC
BUILT-IN LED	18W
DIMMING	NO
CRI	RA >80
BEAM ANGLE	30°
TILT	ADJUSTABLE UP TO 15°
IP RATING	IP67
IK RATING	IK10
TRAFFICABLE	1000KG
FACE DIAMETER	210MM
INSTALLATION DEPTH	250MM
CUT OUT (WITH CANISTER)	197MM
CUT OUT (WITHOUT CANISTER)	186MM

## OTHER DATA



## PRODUCT ORDERING

316 STAINLESS STEEL				
	<b>HCP-251183</b>	18W LED	3000K	1162LM
	<b>HCP-251184</b>	18W LED	4000K	1252LM
	<b>HCP-251185</b>	18W LED	5000K	1237LM



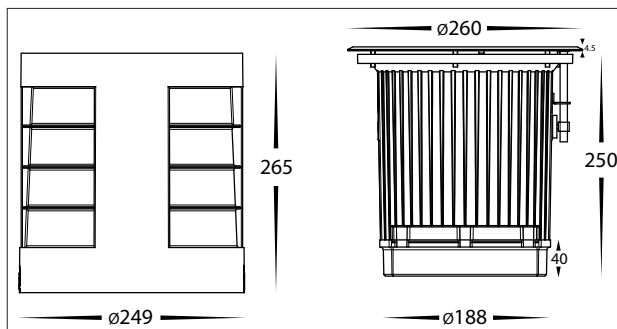
# 27W 316 STAINLESS STEEL ADJUSTABLE INGROUND LIGHTS



## PRODUCT DATA

27W 316 STAINLESS STEEL ADJUSTABLE INGROUND LIGHTS	
MATERIAL	316 STAINLESS STEEL + ALUMINIUM
COLOUR/FINISH	STAINLESS STEEL
COLOUR TEMP.	3000K   4000K   5000K
LUMEN OUTPUT	1743LM   2006LM   1913LM
INPUT VOLTAGE	24V DC
BUILT-IN LED	27W
DIMMING	NO
CRI	RA >80
BEAM ANGLE	30°
TILT	ADJUSTABLE UP TO 15°
IP RATING	IP67
IK RATING	IK10
TRAFFICABLE	1000KG
FACE DIAMETER	260MM
INSTALLATION DEPTH	275MM
CUT OUT (WITH CANISTER)	249MM
CUT OUT (WITHOUT CANISTER)	238MM

## OTHER DATA



## PRODUCT ORDERING

316 STAINLESS STEEL				
	<b>HCP-251273</b>	27W LED	3000K	1743LM
	<b>HCP-251274</b>	27W LED	4000K	2006LM
	<b>HCP-251275</b>	27W LED	5000K	1913LM

Adequate drainage must be allowed when installed. Refer installation instructions at [HavitCommercial.com.au](http://HavitCommercial.com.au)



ADJUSTMENT TOOL  
(SUPPLIED WITH FITTING)



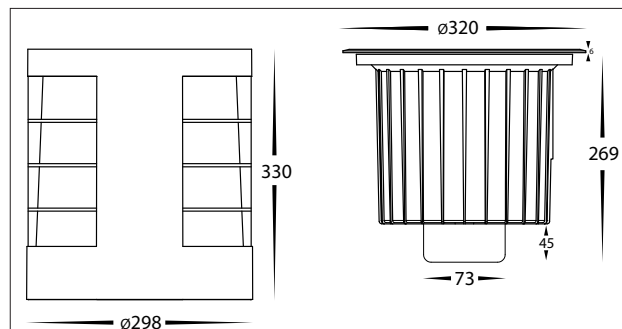
# 48W 316 STAINLESS STEEL ADJUSTABLE INGROUND LIGHTS



## PRODUCT DATA

48W 316 STAINLESS STEEL ADJUSTABLE INGROUND LIGHTS	
MATERIAL	316 STAINLESS STEEL + ALUMINIUM
COLOUR/FINISH	STAINLESS STEEL
COLOUR TEMP.	3000K   4000K   5000K   RGBC
LUMEN OUTPUT	3420LM   3580LM   3710LM   998LM
INPUT VOLTAGE	240V AC
BUILT-IN LED	48W
DIMMING	NO
CRI	RA >80
BEAM ANGLE	30°
TILT	ADJUSTABLE UP TO 15°
IP RATING	IP67
IK RATING	IK10
TRAFFICABLE	1000KG
FACE DIAMETER	320MM
INSTALLATION DEPTH	350MM
CUT OUT (WITH CANISTER)	298MM
CUT OUT (WITHOUT CANISTER)	285MM

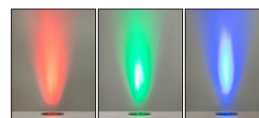
## OTHER DATA



## PRODUCT ORDERING

316 STAINLESS STEEL				
	<b>HCP-251483</b>	48W LED	3000K	3420LM
	<b>HCP-251484</b>	48W LED	4000K	3580LM
	<b>HCP-251485</b>	48W LED	5000K	3710LM
	<b>HCP-251480</b>	48W LED	RGBC (RGB + 5000K)	998LM (5000K)

Adequate drainage must be allowed when installed. Refer installation instructions at [HavitCommercial.com.au](http://HavitCommercial.com.au)




INGROUND LIGHTS

# 600MM BOLLARD LIGHT

## PRODUCT DATA

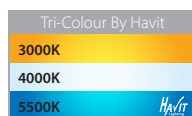
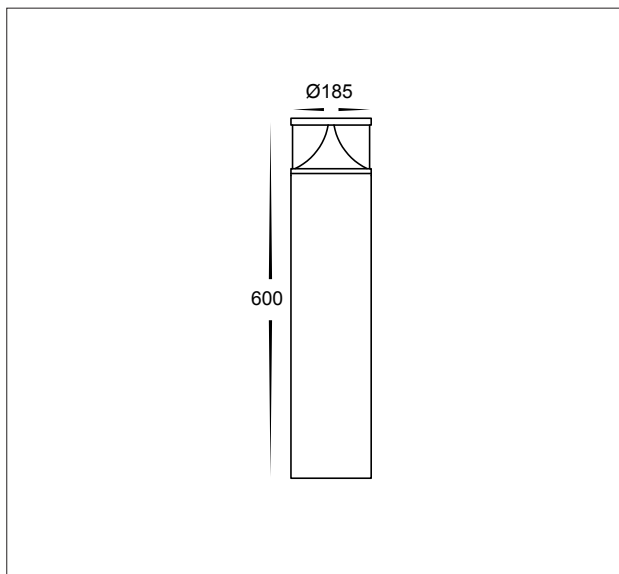
600MM BOLLARD LIGHT	
MATERIAL	ALUMINIUM
COLOUR/FINISH	MATT BLACK
COLOUR TEMP.	3000K   4000K   5500K (TRI-COLOUR)
LUMEN OUTPUT	1292LM   1528LM   1434LM
INPUT VOLTAGE	240V OR 24V DC
BUILT-IN LED	24W
DIMMING	NO
CRI	RA >80
BEAM ANGLE	120°
IP RATING	IP65
IK RATING	IK08

## PRODUCT ORDERING

ALUMINIUM BLACK				
	<b>HCP-262330</b>	24W LED	3000K 4000K 5500K	1292LM 1528LM 1434LM
	<b>HCP-262330-24V</b>	24W LED	3000K 4000K 5500K	1292LM 1528LM 1434LM




## OTHER DATA



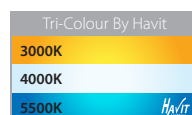
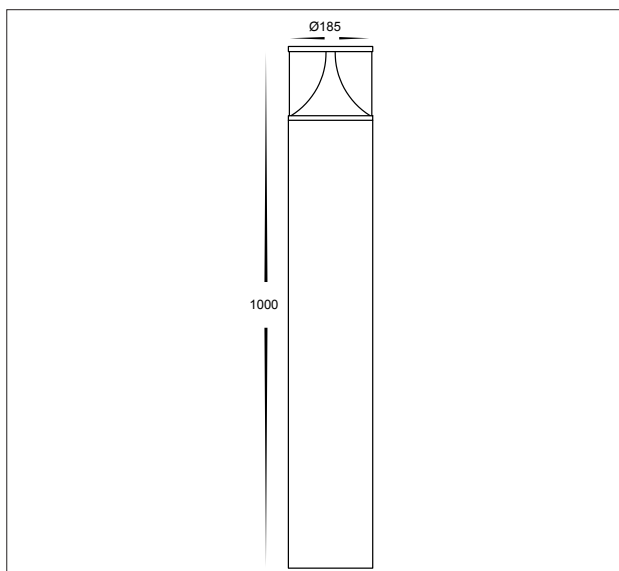
## PRODUCT DATA

1000MM BOLLARD LIGHT	
MATERIAL	ALUMINIUM
COLOUR/FINISH	MATT BLACK
COLOUR TEMP.	3000K   4000K   5500K (TRI-COLOUR)
LUMEN OUTPUT	1292LM   1528LM   1434LM
INPUT VOLTAGE	240V OR 24V DC
BUILT-IN LED	24W
DIMMING	NO
CRI	RA >80
BEAM ANGLE	120°
IP RATING	IP65
IK RATING	IK08

## PRODUCT ORDERING

ALUMINIUM BLACK				
	<b>HCP-262430</b>	24W LED	3000K 4000K 5500K	1292LM 1528LM 1434LM
	<b>HCP-262330-24V</b>	24W LED	3000K 4000K 5500K	1292LM 1528LM 1434LM

## OTHER DATA




# 600MM LOUVRED BOLLARD LIGHT

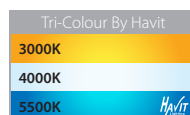
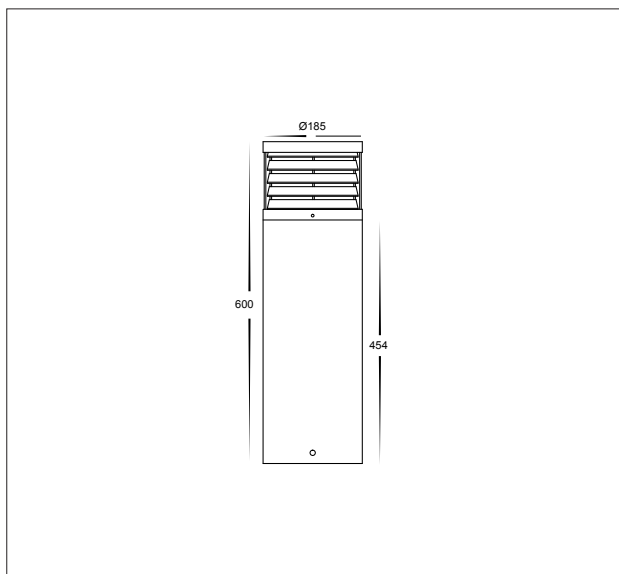
## PRODUCT DATA

600MM BOLLARD LIGHT	
MATERIAL	ALUMINIUM
COLOUR/FINISH	MATT BLACK
COLOUR TEMP.	3000K   4000K   5500K (TRI-COLOUR)
LUMEN OUTPUT	1292LM   1528LM   1434LM
INPUT VOLTAGE	240V OR 24V DC
BUILT-IN LED	24W
DIMMING	NO
CRI	RA >80
BEAM ANGLE	120°
IP RATING	IP65
IK RATING	IK08

## PRODUCT ORDERING

ALUMINIUM BLACK				
	<b>HCP-262340</b>	24W LED	3000K 4000K 5500K	1292LM 1528LM 1434LM
	<b>HCP-262340-24V</b>	24W LED	3000K 4000K 5500K	1292LM 1528LM 1434LM

## OTHER DATA




# 1000MM LOUVRED BOLLARD LIGHT

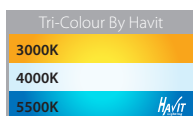
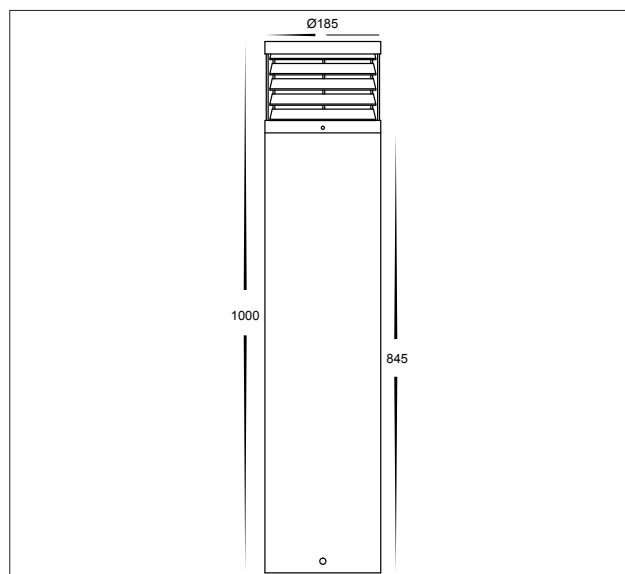
## PRODUCT DATA

1000MM BOLLARD LIGHT	
MATERIAL	ALUMINIUM
COLOUR/FINISH	MATT BLACK
COLOUR TEMP.	3000K   4000K   5500K (TRI-COLOUR)
LUMEN OUTPUT	1292LM   1528LM   1434LM
INPUT VOLTAGE	240V OR 24V DC
BUILT-IN LED	24W
DIMMING	NO
CRI	RA >80
BEAM ANGLE	120°
IP RATING	IP65
IK RATING	IK08

## PRODUCT ORDERING

ALUMINIUM BLACK				
	<b>HCP-262440</b>	24W LED	3000K 4000K 5500K	1292LM 1528LM 1434LM
	<b>HCP-262440-24V</b>	24W LED	3000K 4000K 5500K	1292LM 1528LM 1434LM

## OTHER DATA



# 1.5W ONE WAY DIRECTIONAL DECK LIGHTS



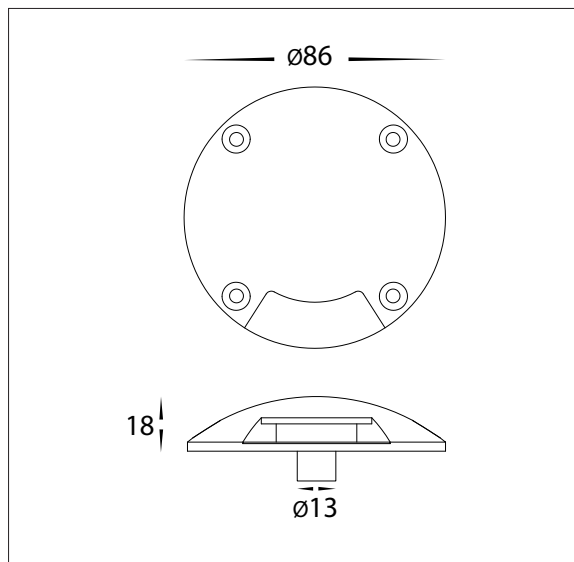
## PRODUCT DATA

ONE-WAY DECK LIGHTS	
MATERIAL	316 STAINLESS STEEL SOLID BRASS
COLOUR/FINISH	STAINLESS STEEL ANTIQUE BRASS MATT TEXTURED BLACK SS
COLOUR TEMP.	3000K   4000K   5000K
LUMEN OUTPUT	80LM   85LM   90LM
INPUT VOLTAGE	24V DC
BUILT-IN LED	1.5W
DIMMING	NO
CRI	RA >90
BEAM ANGLE	120°
IP RATING	IP67
IK RATING	IK10
TRAFFICABLE	500KGS

## PRODUCT ORDERING

STAINLESS STEEL				
	<b>HCP-271123</b>	3000K	80LM	1.5W LED
	<b>HCP-271124</b>	4000K	85LM	
	<b>HCP-271125</b>	5000K	90LM	
ANTIQUE BRASS				
	<b>HCP-276123</b>	3000K	80LM	1.5W LED
	<b>HCP-276124</b>	4000K	85LM	
	<b>HCP-276125</b>	5000K	90LM	
MATT TEXTURED BLACK STAINLESS STEEL				
	<b>HCP-272123</b>	3000K	80LM	1.5W LED
	<b>HCP-272124</b>	4000K	85LM	
	<b>HCP-272125</b>	5000K	90LM	

## OTHER DATA





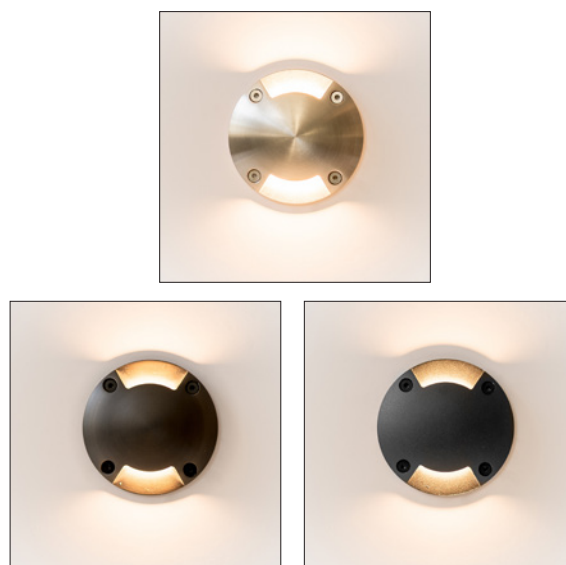
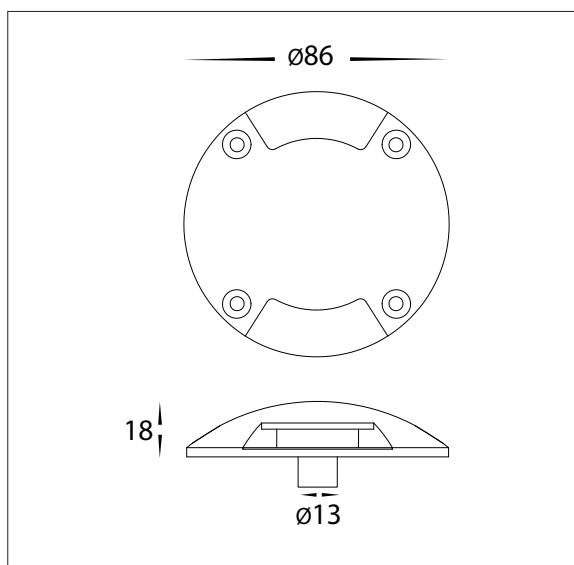
## PRODUCT DATA

TWO-WAY DECK LIGHTS	
MATERIAL	316 STAINLESS STEEL SOLID BRASS
COLOUR/FINISH	STAINLESS STEEL ANTIQUE BRASS MATT TEXTURED BLACK SS
COLOUR TEMP.	3000K   4000K   5000K
LUMEN OUTPUT	2X 60LM   2X 65LM   2X 70LM
INPUT VOLTAGE	24V DC
BUILT-IN LED	1.5W
DIMMING	NO
CRI	RA >90
BEAM ANGLE	120°
IP RATING	IP67
IK RATING	IK10
TRAFFICABLE	500KGS

## PRODUCT ORDERING

STAINLESS STEEL				
	<b>HCP-271223</b>	3000K	2X 60LM	1.5W LED
	<b>HCP-271224</b>	4000K	2X 65LM	
	<b>HCP-271225</b>	5000K	2X 70LM	
ANTIQUE BRASS				
	<b>HCP-276223</b>	3000K	2X 60LM	1.5W LED
	<b>HCP-276224</b>	4000K	2X 65LM	
	<b>HCP-276225</b>	5000K	2X 70LM	
MATT TEXTURED BLACK STAINLESS STEEL				
	<b>HCP-272223</b>	3000K	2X 60LM	1.5W LED
	<b>HCP-272224</b>	4000K	2X 65LM	
	<b>HCP-272225</b>	5000K	2X 70LM	

## OTHER DATA












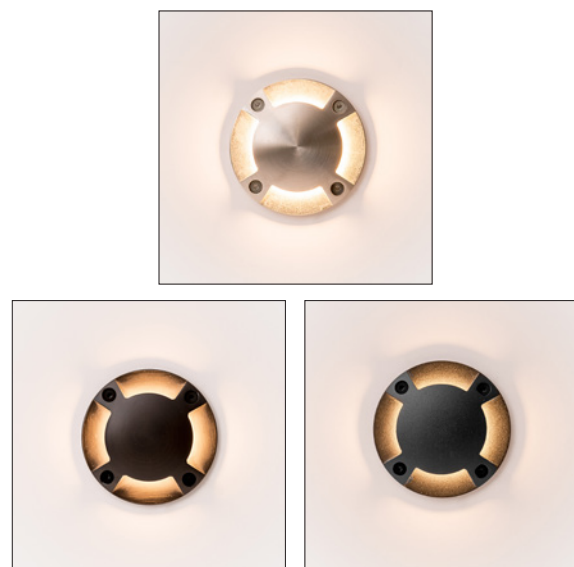
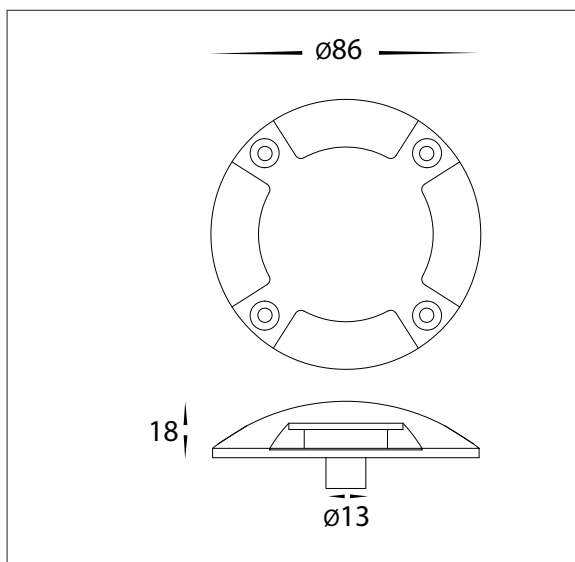
## PRODUCT DATA

FOUR-WAY DECK LIGHTS	
MATERIAL	316 STAINLESS STEEL SOLID BRASS
COLOUR/FINISH	STAINLESS STEEL ANTIQUE BRASS MATT TEXTURED BLACK SS
COLOUR TEMP.	3000K   4000K   5000K
LUMEN OUTPUT	4X 30LM   4X 35LM   4X 35LM
INPUT VOLTAGE	24V DC
BUILT-IN LED	1.5W
DIMMING	NO
CRI	RA >90
BEAM ANGLE	120°
IP RATING	IP67
IK RATING	IK10
TRAFFICABLE	500KGS

## PRODUCT ORDERING

STAINLESS STEEL				
	<b>HCP-271423</b>	3000K	4X 30LM	1.5W LED
	<b>HCP-271424</b>	4000K	4X 35LM	
	<b>HCP-271425</b>	5000K	4X 35LM	
ANTIQUE BRASS				
	<b>HCP-276423</b>	3000K	4X 30LM	1.5W LED
	<b>HCP-276424</b>	4000K	4X 35LM	
	<b>HCP-276425</b>	5000K	4X 35LM	
MATT TEXTURED BLACK STAINLESS STEEL				
	<b>HCP-272423</b>	3000K	4X 30LM	1.5W LED
	<b>HCP-272424</b>	4000K	4X 35LM	
	<b>HCP-272425</b>	5000K	4X 35LM	

## OTHER DATA



# 2.5W 55MM INGROUND LIGHT



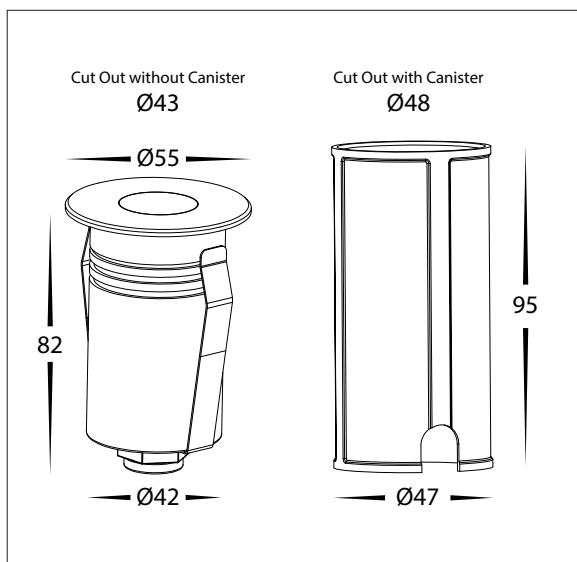
## PRODUCT DATA

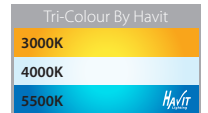
55MM INGROUND LIGHT	
MATERIAL	316 STAINLESS STEEL, SOLID BRASS
COLOUR/FINISH	STAINLESS STEEL, BLACK, BRASS, ANTIQUE BRASS
COLOUR TEMP.	3000K   4000K   5500K (TRI-COLOUR)
LUMEN OUTPUT	175LM   185LM   180LM
INPUT VOLTAGE	24V DC
BUILT-IN LED	2.5W LED
DIMMING	YES
CRI	90+
BEAM ANGLE	40°
IP RATING	IP67
IK RATING	IK10
TRAFFICABLE	500KGS

## PRODUCT ORDERING

316 STAINLESS STEEL				
	<b>HCP-271101</b>	3000K	175LM	2.5W LED
		4000K	185LM	
		5500K	180LM	
316 STAINLESS STEEL BLACK				
	<b>HCP-272101</b>	3000K	175LM	2.5W LED
		4000K	185LM	
		5500K	180LM	
SOLID BRASS				
	<b>HCP-275101</b>	3000K	175LM	2.5W LED
		4000K	185LM	
		5000K	180LM	
ANTIQUE BRASS				
	<b>HCP-276101</b>	3000K	175LM	2.5W LED
		4000K	185LM	
		5500K	180LM	

## OTHER DATA





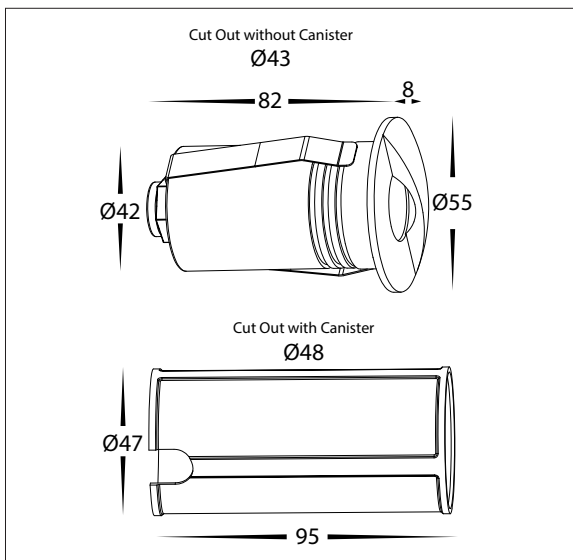
## PRODUCT DATA

55MM WALL LIGHT WITH EYELID	
MATERIAL	316 STAINLESS STEEL, SOLID BRASS
COLOUR/FINISH	STAINLESS STEEL, BLACK, BRASS, ANTIQUE BRASS
COLOUR TEMP.	3000K   4000K   5500K (TRI-COLOUR)
LUMEN OUTPUT	150LM   160LM   155LM
INPUT VOLTAGE	24V DC
BUILT IN LED	2.5W LED
DIMMING	YES
CRI	90+
BEAM ANGLE	40°
IP RATING	IP67
IK RATING	IK10

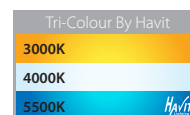
## PRODUCT ORDERING

316 STAINLESS STEEL				
	<b>HCP-271102</b>	3000K	150LM	2.5W LED
		4000K	160LM	
		5500K	155LM	
316 STAINLESS STEEL BLACK				
	<b>HCP-272102</b>	3000K	150LM	2.5W LED
		4000K	160LM	
		5500K	155LM	
SOLID BRASS				
	<b>HCP-275102</b>	3000K	150LM	2.5W LED
		4000K	160LM	
		5000K	155LM	
ANTIQUE BRASS				
	<b>HCP-276102</b>	3000K	150LM	2.5W LED
		4000K	160LM	
		5500K	155LM	

## OTHER DATA



# 2.5W 55MM 1 WAY INGROUND LIGHT



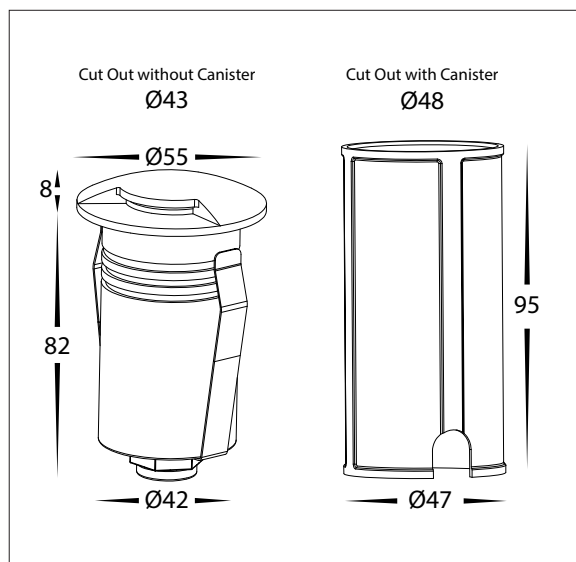
## PRODUCT DATA

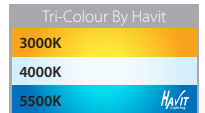
55MM 1 WAY INGROUND LIGHT	
MATERIAL	316 STAINLESS STEEL, SOLID BRASS
COLOUR/FINISH	STAINLESS STEEL, BLACK, BRASS, ANTIQUE BRASS
COLOUR TEMP.	3000K   4000K   5500K (TRI-COLOUR)
LUMEN OUTPUT	50LM   60LM   55LM
INPUT VOLTAGE	24V DC
BUILT IN LED	2.5W LED
DIMMING	YES
CRI	90+
BEAM ANGLE	40°
IP RATING	IP67
IK RATING	IK10
TRAFFICABLE	500KGS

## PRODUCT ORDERING

316 STAINLESS STEEL				
	<b>HCP-271103</b>	3000K	50LM	2.5W LED
		4000K	60LM	
		5500K	55LM	
316 STAINLESS STEEL BLACK				
	<b>HCP-272103</b>	3000K	50LM	2.5W LED
		4000K	60LM	
		5500K	55LM	
SOLID BRASS				
	<b>HCP-275103</b>	3000K	50LM	2.5W LED
		4000K	60LM	
		5000K	55LM	
ANTIQUE BRASS				
	<b>HCP-276103</b>	3000K	50LM	2.5W LED
		4000K	60LM	
		5500K	55LM	

## OTHER DATA





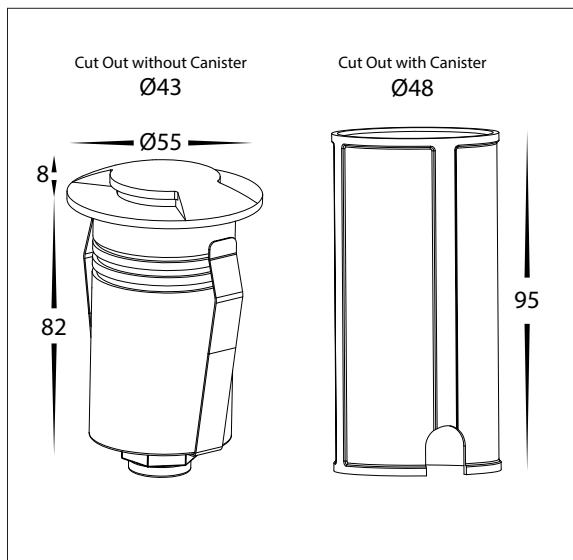
## PRODUCT DATA

55MM 2 WAY INGROUND LIGHT	
MATERIAL	316 STAINLESS STEEL, SOLID BRASS
COLOUR/FINISH	STAINLESS STEEL, BLACK, BRASS, ANTIQUE BRASS
COLOUR TEMP.	3000K   4000K   5500K (TRI-COLOUR)
LUMEN OUTPUT	50LM   60LM   55LM
INPUT VOLTAGE	24V DC
BUILT IN LED	2.5W LED
DIMMING	YES
CRI	90+
BEAM ANGLE	40°
IP RATING	IP67
IK RATING	IK10
TRAFFICABLE	500KGS

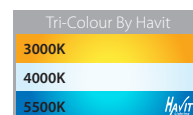
## PRODUCT ORDERING

316 STAINLESS STEEL				
	<b>HCP-271104</b>	3000K	50LM	2.5W LED
		4000K	60LM	
		5500K	55LM	
316 STAINLESS STEEL BLACK				
	<b>HCP-272104</b>	3000K	50LM	2.5W LED
		4000K	60LM	
		5500K	55LM	
SOLID BRASS				
	<b>HCP-275104</b>	3000K	50LM	2.5W LED
		4000K	60LM	
		5000K	55LM	
ANTIQUE BRASS				
	<b>HCP-276104</b>	3000K	50LM	2.5W LED
		4000K	60LM	
		5500K	55LM	

## OTHER DATA





# 2.5W 55MM 3 WAY INGROUND LIGHT



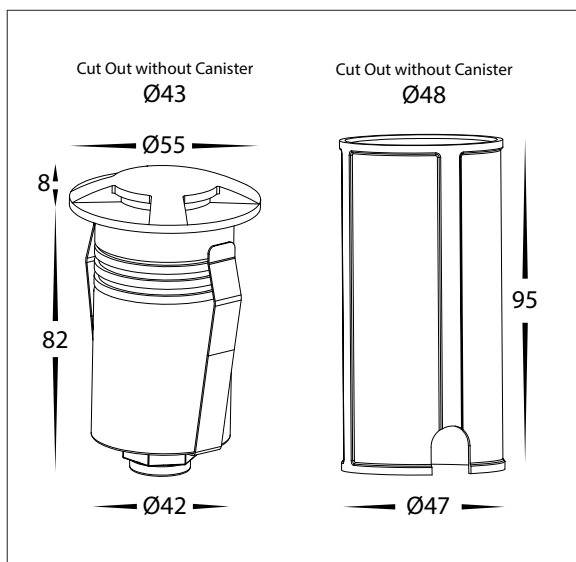
## PRODUCT DATA

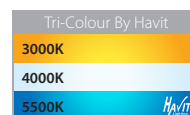
55MM 3 WAY INGROUND LIGHT	
MATERIAL	316 STAINLESS STEEL, SOLID BRASS
COLOUR/FINISH	STAINLESS STEEL, BLACK, BRASS, ANTIQUE BRASS
COLOUR TEMP.	3000K   4000K   5500K (TRI-COLOUR)
LUMEN OUTPUT	50LM   60LM   55LM
INPUT VOLTAGE	24V DC
BUILT IN LED	2.5W LED
DIMMING	YES
CRI	90+
BEAM ANGLE	40°
IP RATING	IP67
IK RATING	IK10
TRAFFICABLE	500KGS

## PRODUCT ORDERING

316 STAINLESS STEEL				
	<b>HCP-271105</b>	3000K	50LM	2.5W LED
		4000K	60LM	
		5500K	55LM	
316 STAINLESS STEEL BLACK				
	<b>HCP-272105</b>	3000K	50LM	2.5W LED
		4000K	60LM	
		5500K	55LM	
SOLID BRASS				
	<b>HCP-275105</b>	3000K	50LM	2.5W LED
		4000K	60LM	
		5000K	55LM	
ANTIQUE BRASS				
	<b>HCP-276105</b>	3000K	50LM	2.5W LED
		4000K	60LM	
		5500K	55LM	

## OTHER DATA





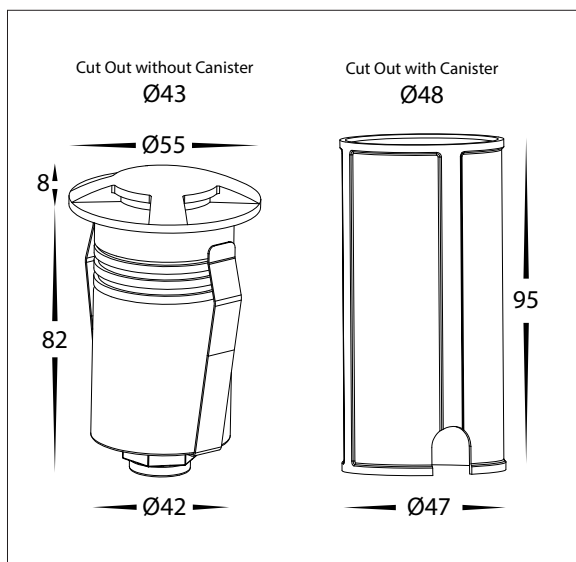
## PRODUCT DATA

55MM 4 WAY INGROUND LIGHT	
MATERIAL	316 STAINLESS STEEL, SOLID BRASS
COLOUR/FINISH	STAINLESS STEEL, BLACK, BRASS, ANTIQUE BRASS
COLOUR TEMP.	3000K   4000K   5500K (TRI-COLOUR)
LUMEN OUTPUT	50LM   60LM   55LM
INPUT VOLTAGE	24V DC
BUILT IN LED	2.5W LED
DIMMING	YES
CRI	90+
BEAM ANGLE	40°
IP RATING	IP67
IK RATING	IK10
TRAFFICABLE	500KGS

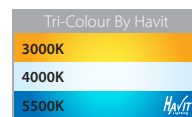
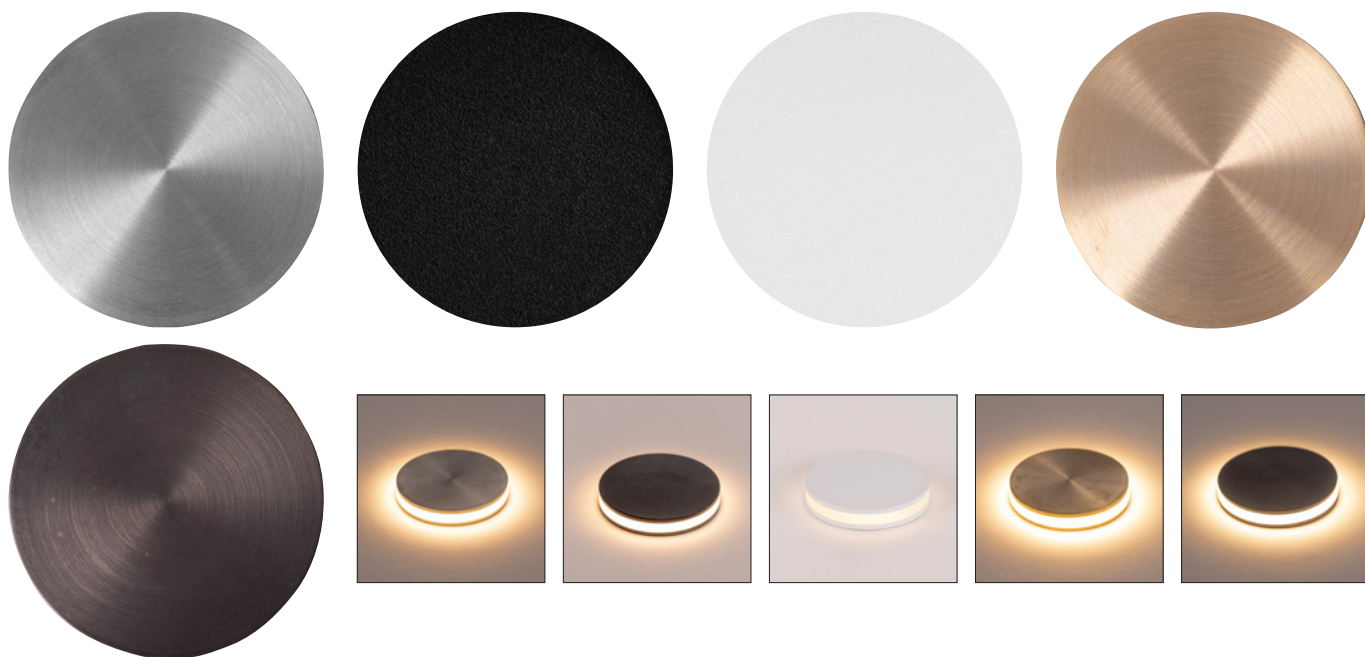
## PRODUCT ORDERING

316 STAINLESS STEEL				
	<b>HCP-271106</b>	3000K	50LM	2.5W LED
		4000K	60LM	
		5500K	55LM	
316 STAINLESS STEEL BLACK				
	<b>HCP-272106</b>	3000K	50LM	2.5W LED
		4000K	60LM	
		5500K	55LM	
SOLID BRASS				
	<b>HCP-275106</b>	3000K	50LM	2.5W LED
		4000K	60LM	
		5000K	55LM	
ANTIQUE BRASS				
	<b>HCP-276106</b>	3000K	50LM	2.5W LED
		4000K	60LM	
		5500K	55LM	

## OTHER DATA



# 2.5W 55MM WALL OR INGROUND LIGHT



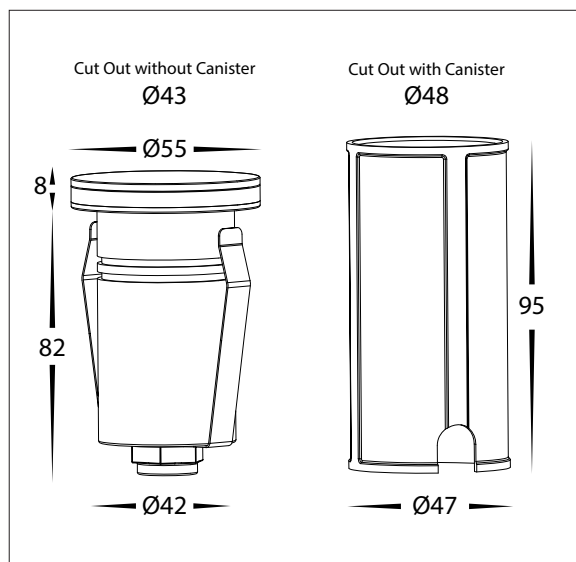
## PRODUCT DATA

55MM WALL OR INGROUND LIGHT	
MATERIAL	316 STAINLESS STEEL, SOLID BRASS
COLOUR/FINISH	STAINLESS STEEL, BLACK, WHITE, BRASS, ANTIQUE BRASS
COLOUR TEMP.	3000K   4000K   5500K (TRI-COLOUR)
LUMEN OUTPUT	50LM   60LM   55LM
INPUT VOLTAGE	24V DC
BUILT IN LED	2.5W LED
DIMMING	YES
CRI	90+
BEAM ANGLE	120°
IP RATING	IP67
IK RATING	IK10

## PRODUCT ORDERING

316 STAINLESS STEEL				
	<b>HCP-271107</b>	3000K	50LM	2.5W LED
		4000K	60LM	
		5500K	30LM	
316 STAINLESS STEEL BLACK				
	<b>HCP-272107</b>	3000K	50LM	2.5W LED
		4000K	60LM	
		5500K	30LM	
316 STAINLESS STEEL WHITE				
	<b>HCP-273107</b>	3000K	25LM	1W LED
		4000K	35LM	
		5500K	30LM	
SOLID BRASS				
	<b>HCP-275107</b>	3000K	50LM	2.5W LED
		4000K	60LM	
		5500K	30LM	
ANTIQU BRASS				
	<b>HCP-276107</b>	3000K	50LM	2.5W LED
		4000K	60LM	
		5500K	30LM	

## OTHER DATA







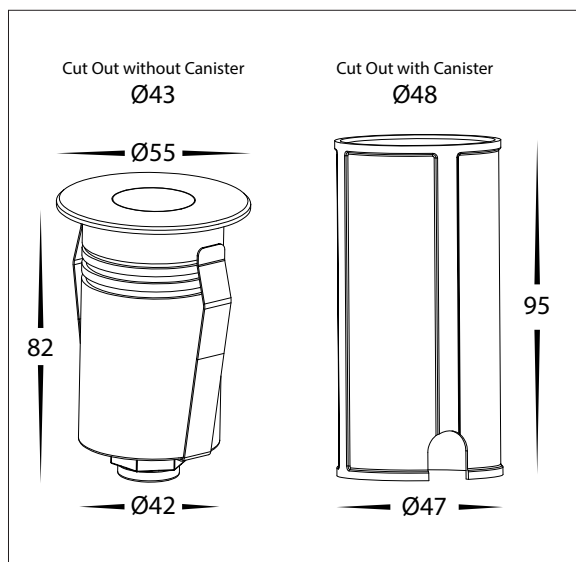
## PRODUCT DATA

55MM RGBW INGROUND LIGHT	
MATERIAL	316 STAINLESS STEEL, SOLID BRASS
COLOUR/FINISH	STAINLESS STEEL, BLACK, BRASS, ANTIQUE BRASS
COLOUR TEMP.	RGBW (RGB + 3000K)
LUMEN OUTPUT	105LM (3000K)
INPUT VOLTAGE	24V DC
BUILT IN LED	2.5W LED
DIMMING	YES - WITH RGBW CONTROLLER
CRI	90+
BEAM ANGLE	40°
IP RATING	IP67
IK RATING	IK10
TRAFFICABLE	500KGS

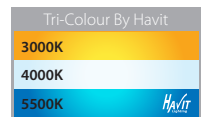
## PRODUCT ORDERING

316 STAINLESS STEEL				
	<b>HCP-271110</b>	RGBW	105LM (3000K)	2.5W LED
316 STAINLESS STEEL BLACK				
	<b>HCP-272110</b>	RGBW	105LM (3000K)	2.5W LED
SOLID BRASS				
	<b>HCP-275110</b>	RGBW	105LM (3000K)	2.5W LED
ANTIQUE BRASS				
	<b>HCP-276110</b>	RGBW	105LM (3000K)	2.5W LED

## OTHER DATA



# 1W 25MM INGROUND LIGHT



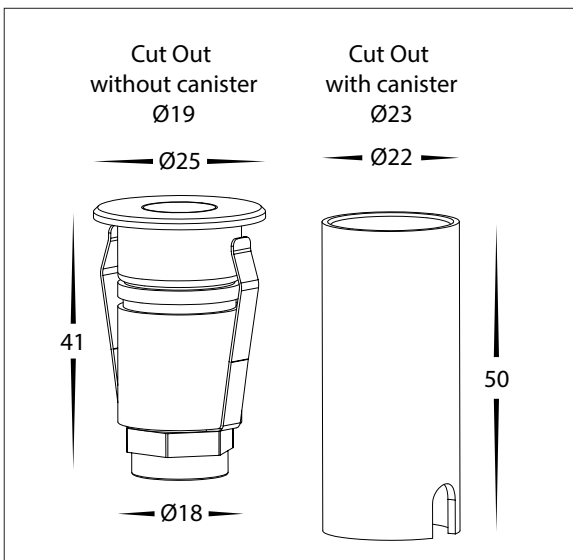
## PRODUCT DATA

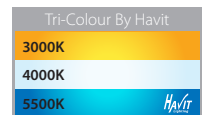
25MM INGROUND LIGHT	
MATERIAL	316 STAINLESS STEEL, SOLID BRASS
COLOUR/FINISH	STAINLESS STEEL, BLACK, BRASS, ANTIQUE BRASS
COLOUR TEMP.	3000K   4000K   5500K (TRI-COLOUR)
LUMEN OUTPUT	75LM   85LM   80LM
INPUT VOLTAGE	24V DC
BUILT-IN LED	1W LED
DIMMING	YES
CRI	90+
BEAM ANGLE	36°
IP RATING	IP67
IK RATING	IK10
TRAFFICABLE	500KGS

## PRODUCT ORDERING

316 STAINLESS STEEL				
	<b>HCP-271201</b>	3000K	75LM	1W LED
		4000K	85LM	
		5500K	80LM	
316 STAINLESS STEEL BLACK				
	<b>HCP-272201</b>	3000K	75LM	1W LED
		4000K	85LM	
		5500K	80LM	
SOLID BRASS				
	<b>HCP-275201</b>	3000K	75LM	1W LED
		4000K	85LM	
		5000K	80LM	
ANTIQUE BRASS				
	<b>HCP-276201</b>	3000K	75LM	1W LED
		4000K	85LM	
		5500K	80LM	

## OTHER DATA





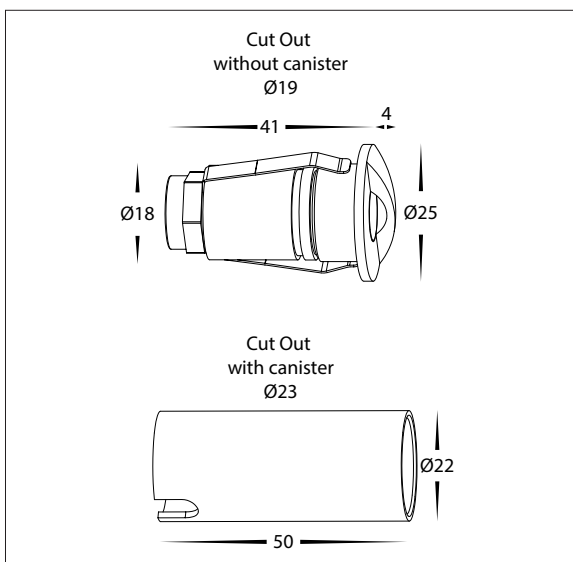
## PRODUCT DATA

25MM WALL LIGHT WITH EYELID	
MATERIAL	316 STAINLESS STEEL, SOLID BRASS
COLOUR/FINISH	STAINLESS STEEL, BLACK, BRASS, ANTIQUE BRASS
COLOUR TEMP.	3000K   4000K   5500K (TRI-COLOUR)
LUMEN OUTPUT	50LM   60LM   55LM
INPUT VOLTAGE	24V DC
BUILT IN LED	1W LED
DIMMING	YES
CRI	90+
BEAM ANGLE	36°
IP RATING	IP67
IK RATING	IK10

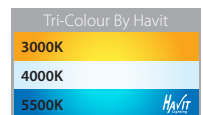
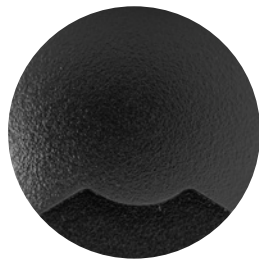
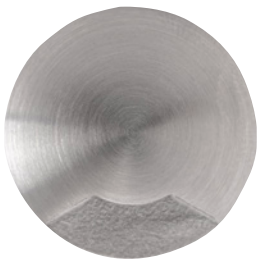
## PRODUCT ORDERING

316 STAINLESS STEEL				
	<b>HCP-271202</b>	3000K	50LM	1W LED
		4000K	60LM	
		5500K	55LM	
316 STAINLESS STEEL BLACK				
	<b>HCP-272202</b>	3000K	50LM	1W LED
		4000K	60LM	
		5500K	55LM	
SOLID BRASS				
	<b>HCP-275202</b>	3000K	50LM	1W LED
		4000K	60LM	
		5000K	55LM	
ANTIQUE BRASS				
	<b>HCP-276202</b>	3000K	50LM	1W LED
		4000K	60LM	
		5500K	55LM	

## OTHER DATA



# 1W 25MM 1 WAY INGROUND LIGHT



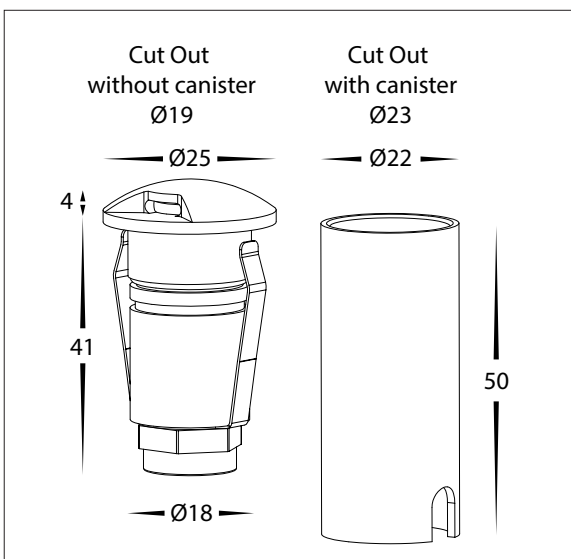
## PRODUCT DATA

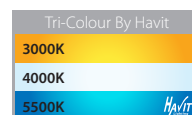
25MM 1 WAY INGROUND LIGHT	
MATERIAL	316 STAINLESS STEEL, SOLID BRASS
COLOUR/FINISH	STAINLESS STEEL, BLACK, BRASS, ANTIQUE BRASS
COLOUR TEMP.	3000K   4000K   5500K (TRI-COLOUR)
LUMEN OUTPUT	25LM   35LM   30LM
INPUT VOLTAGE	24V DC
BUILT-IN LED	1W LED
DIMMING	YES
CRI	90+
BEAM ANGLE	36°
IP RATING	IP67
IK RATING	IK10
TRAFFICABLE	500KGS

## PRODUCT ORDERING

316 STAINLESS STEEL				
	<b>HCP-271203</b>	3000K	25LM	1W LED
		4000K	35LM	
		5500K	30LM	
316 STAINLESS STEEL BLACK				
	<b>HCP-272203</b>	3000K	25LM	1W LED
		4000K	35LM	
		5500K	30LM	
SOLID BRASS				
	<b>HCP-275203</b>	3000K	25LM	1W LED
		4000K	35LM	
		5000K	30LM	
ANTIQUE BRASS				
	<b>HCP-276203</b>	3000K	25LM	1W LED
		4000K	35LM	
		5500K	30LM	

## OTHER DATA





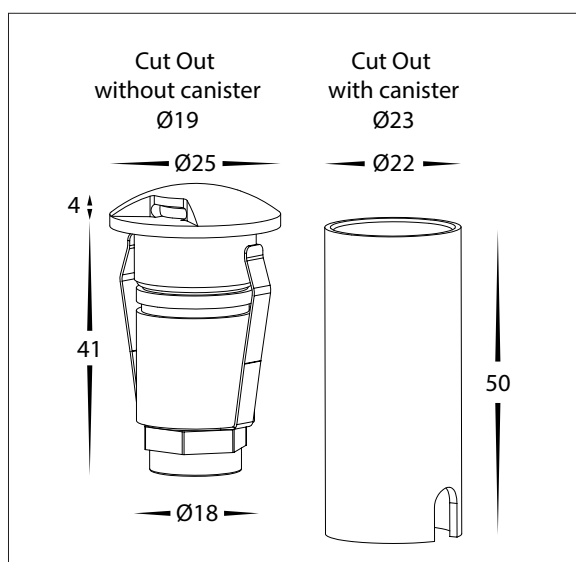
## PRODUCT DATA

25MM 2 WAY INGROUND LIGHT	
MATERIAL	316 STAINLESS STEEL, SOLID BRASS
COLOUR/FINISH	STAINLESS STEEL, BLACK, BRASS, ANTIQUE BRASS
COLOUR TEMP.	3000K   4000K   5500K (TRI-COLOUR)
LUMEN OUTPUT	25LM   35LM   30LM
INPUT VOLTAGE	24V DC
BUILT IN LED	1W LED
DIMMING	YES
CRI	90+
BEAM ANGLE	36°
IP RATING	IP67
IK RATING	IK10
TRAFFICABLE	500KGS

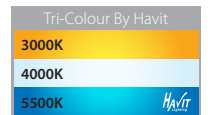
## PRODUCT ORDERING

316 STAINLESS STEEL				
	<b>HCP-271204</b>	3000K	25LM	1W LED
		4000K	35LM	
		5500K	30LM	
316 STAINLESS STEEL BLACK				
	<b>HCP-272204</b>	3000K	25LM	1W LED
		4000K	35LM	
		5500K	30LM	
SOLID BRASS				
	<b>HCP-275204</b>	3000K	25LM	1W LED
		4000K	35LM	
		5000K	30LM	
ANTIQUE BRASS				
	<b>HCP-276204</b>	3000K	25LM	1W LED
		4000K	35LM	
		5500K	30LM	

## OTHER DATA



# 1W 25MM 3 WAY INGROUND LIGHT



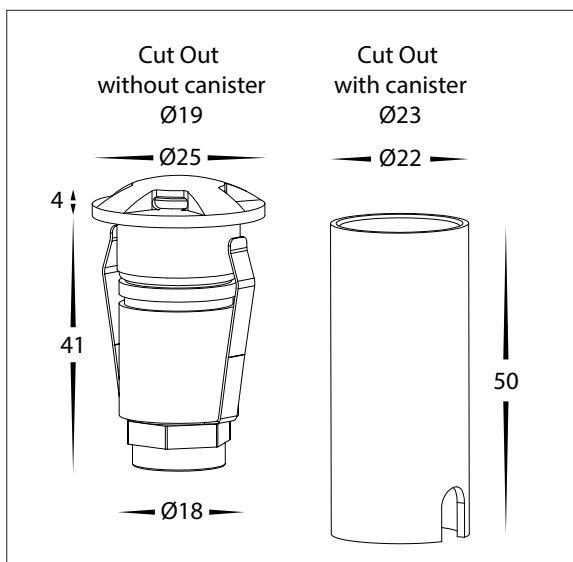
## PRODUCT DATA

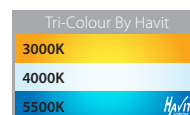
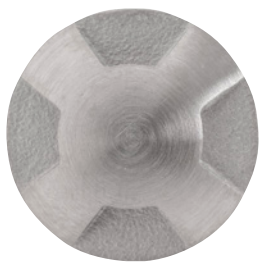
25MM 3 WAY INGROUND LIGHT	
MATERIAL	316 STAINLESS STEEL, SOLID BRASS
COLOUR/FINISH	STAINLESS STEEL, BLACK, BRASS, ANTIQUE BRASS
COLOUR TEMP.	3000K   4000K   5500K (TRI-COLOUR)
LUMEN OUTPUT	25LM   35LM   30LM
INPUT VOLTAGE	24V DC
BUILT-IN LED	1W LED
DIMMING	YES
CRI	90+
BEAM ANGLE	36°
IP RATING	IP67
IK RATING	IK10
TRAFFICABLE	500KGS

## PRODUCT ORDERING

316 STAINLESS STEEL				
	<b>HCP-271205</b>	3000K	25LM	1W LED
		4000K	35LM	
		5500K	30LM	
316 STAINLESS STEEL BLACK				
	<b>HCP-272205</b>	3000K	25LM	1W LED
		4000K	35LM	
		5500K	30LM	
SOLID BRASS				
	<b>HCP-275205</b>	3000K	25LM	1W LED
		4000K	35LM	
		5000K	30LM	
ANTIQUE BRASS				
	<b>HCP-276205</b>	3000K	25LM	1W LED
		4000K	35LM	
		5500K	30LM	

## OTHER DATA





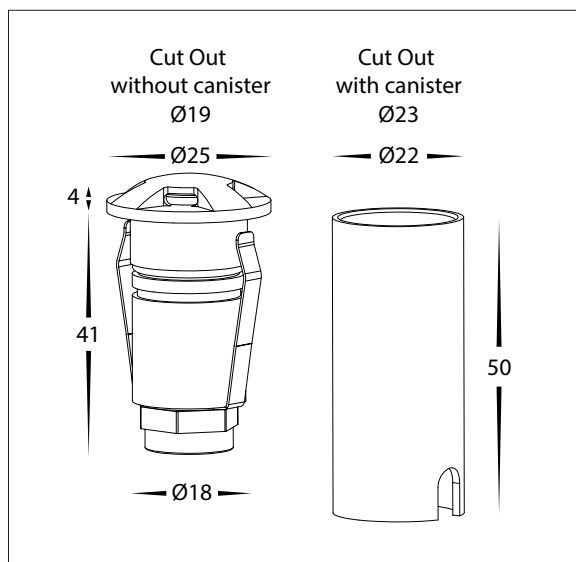
## PRODUCT DATA

25MM 4 WAY INGROUND LIGHT	
MATERIAL	316 STAINLESS STEEL, SOLID BRASS
COLOUR/FINISH	STAINLESS STEEL, BLACK, BRASS, ANTIQUE BRASS
COLOUR TEMP.	3000K   4000K   5500K (TRI-COLOUR)
LUMEN OUTPUT	25LM   35LM   30LM
INPUT VOLTAGE	24V DC
BUILT IN LED	1W LED
DIMMING	YES
CRI	90+
BEAM ANGLE	36°
IP RATING	IP67
IK RATING	IK10
TRAFFICABLE	500KGS

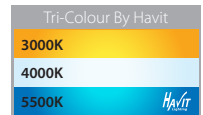
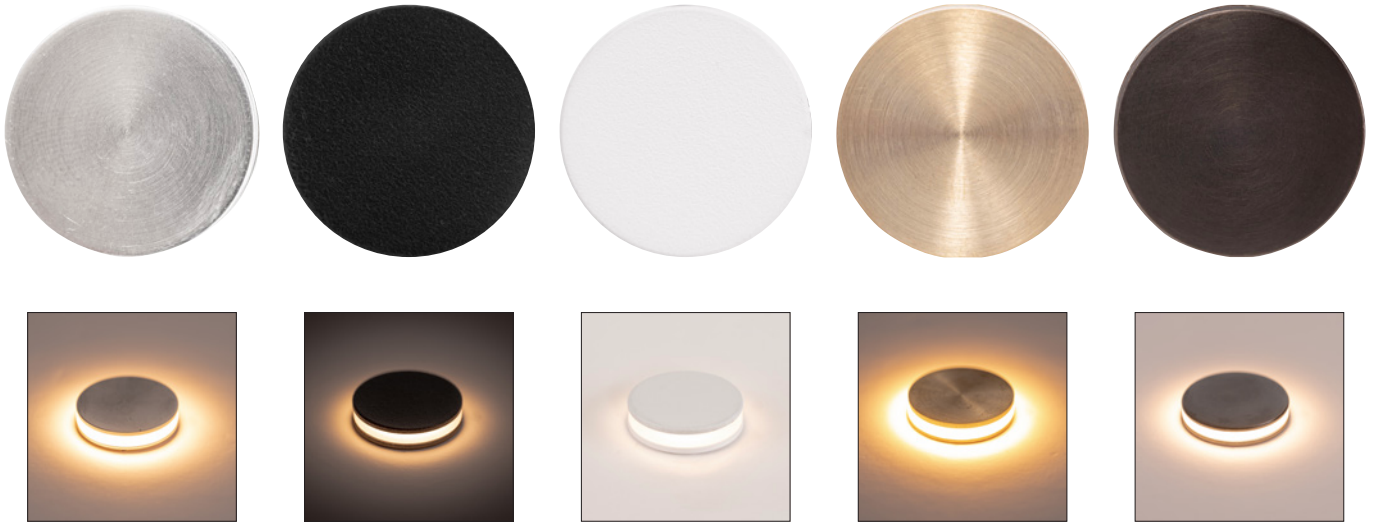
## PRODUCT ORDERING

316 STAINLESS STEEL				
	<b>HCP-271206</b>	3000K	25LM	1W LED
		4000K	35LM	
		5500K	30LM	
316 STAINLESS STEEL BLACK				
	<b>HCP-272206</b>	3000K	25LM	1W LED
		4000K	35LM	
		5500K	30LM	
SOLID BRASS				
	<b>HCP-275206</b>	3000K	25LM	1W LED
		4000K	35LM	
		5000K	30LM	
ANTIQUE BRASS				
	<b>HCP-276206</b>	3000K	25LM	1W LED
		4000K	35LM	
		5500K	30LM	

## OTHER DATA



# 1W 25MM INGROUND OR WALL LIGHT



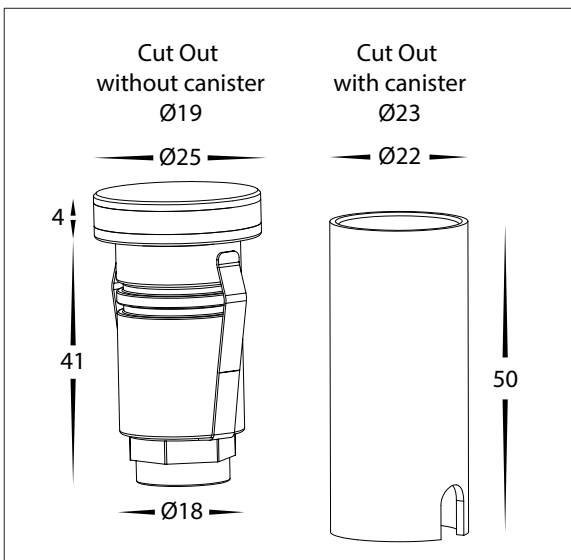
## PRODUCT DATA

25MM INGROUND OR WALL LIGHT	
MATERIAL	316 STAINLESS STEEL, SOLID BRASS
COLOUR/FINISH	STAINLESS STEEL, BLACK, WHITE, BRASS, ANTIQUE BRASS
COLOUR TEMP.	3000K   4000K   5500K (TRI-COLOUR)
LUMEN OUTPUT	25LM   35LM   30LM
INPUT VOLTAGE	24V DC
BUILT-IN LED	1W LED
DIMMING	YES
CRI	90+
BEAM ANGLE	120°
IP RATING	IP67
IK RATING	IK10
TRAFFICABLE	500KGS

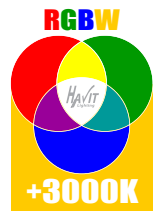
## PRODUCT ORDERING

316 STAINLESS STEEL				
	<b>HCP-271207</b>	3000K	25LM	1W LED
		4000K	35LM	
		5500K	30LM	
316 STAINLESS STEEL BLACK				
	<b>HCP-272207</b>	3000K	25LM	1W LED
		4000K	35LM	
		5500K	30LM	
316 STAINLESS STEEL WHITE				
	<b>HCP-273207</b>	3000K	25LM	1W LED
		4000K	35LM	
		5500K	30LM	
SOLID BRASS				
	<b>HCP-275207</b>	3000K	25LM	1W LED
		4000K	35LM	
		5500K	30LM	
ANTIQU BRASS				
	<b>HCP-276207</b>	3000K	25LM	1W LED
		4000K	35LM	
		5500K	30LM	

## OTHER DATA







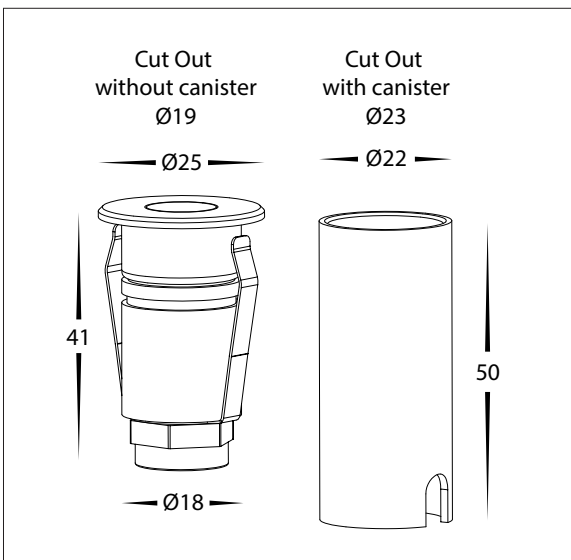
## PRODUCT DATA

25MM RGBW INGROUND LIGHT	
MATERIAL	316 STAINLESS STEEL, SOLID BRASS
COLOUR/FINISH	STAINLESS STEEL, BLACK, BRASS, ANTIQUE BRASS
COLOUR TEMP.	RGBW (RGB + 3000K)
LUMEN OUTPUT	20LM (3000K)
INPUT VOLTAGE	24V DC
BUILT IN LED	1W LED
DIMMING	YES - WITH RGBW CONTROLLER
CRI	90+
BEAM ANGLE	40°
IP RATING	IP67
IK RATING	IK10
TRAFFICABLE	500KGS

## PRODUCT ORDERING

316 STAINLESS STEEL				
	<b>HCP-271210</b>	RGBW	20LM (3000K)	1W LED
316 STAINLESS STEEL BLACK				
	<b>HCP-272210</b>	RGBW	20LM (3000K)	1W LED
SOLID BRASS				
	<b>HCP-275210</b>	RGBW	20LM (3000K)	1W LED
ANTIQUE BRASS				
	<b>HCP-276210</b>	RGBW	20LM (3000K)	1W LED

## OTHER DATA



# 9.6W MICRO IP20 LED STRIP



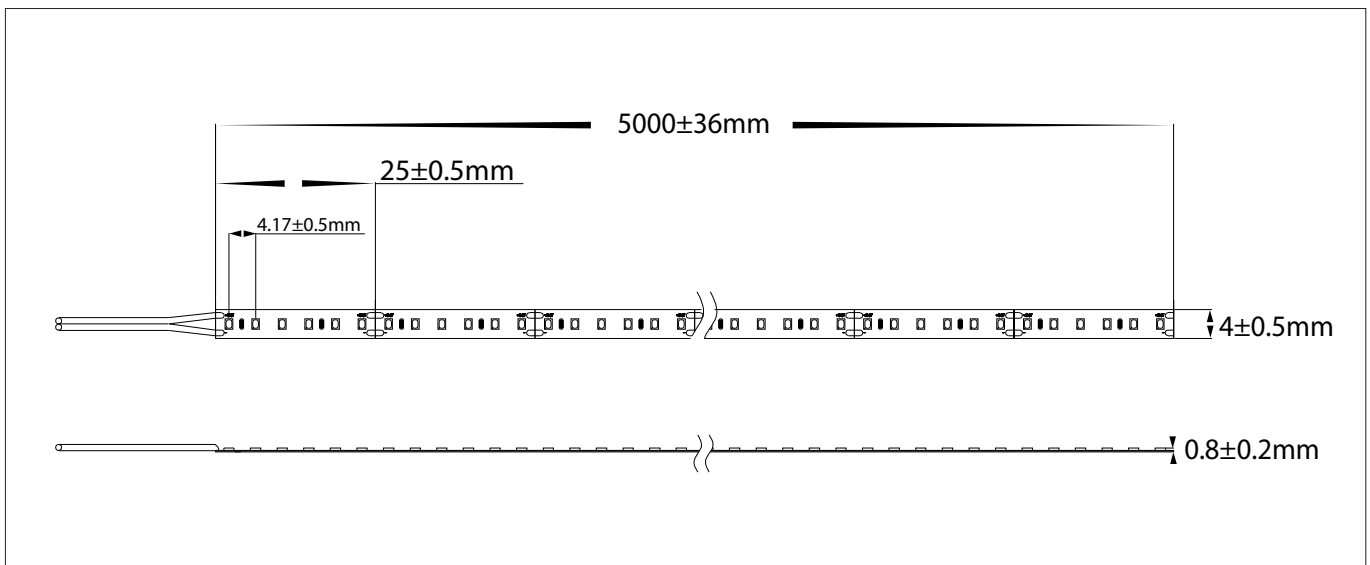
## PRODUCT DATA

9.6W MICRO IP20 LED STRIP	
LED CHIP TYPE	2216
SIZE	4MM X 2MM
PCB	3OZ
LED CHIPS / METRE	240
CUT INCREMENTS	25MM
COLOUR TEMP.	2700K   3000K   4000K   5000K
LUMEN OUTPUT	835LM   845LM   870LM   875LM
INPUT VOLTAGE	24V DC
WIRING	PARALLEL
MOUNTING	ALUMINIUM PROFILE OR HEAT SINK
MAXIMUM LENGTH	5,000MM
REQUIREMENTS	24V DC LED DRIVER
DIMMING	0-1/10V, DALI, DMX, RF & WIFI
CRI	RA>90
BEAM ANGLE	120°
IP RATING	IP20

## PRODUCT ORDERING

240 LED STRIP			
	<b>HCP-3125962</b>	2700K	835LM
	<b>HCP-3125963</b>	3000K	845LM
	<b>HCP-3125964</b>	4000K	870LM
	<b>HCP-3125965</b>	5000K	875LM

## OTHER DATA



# 14.4W MICRO IP20 LED STRIP



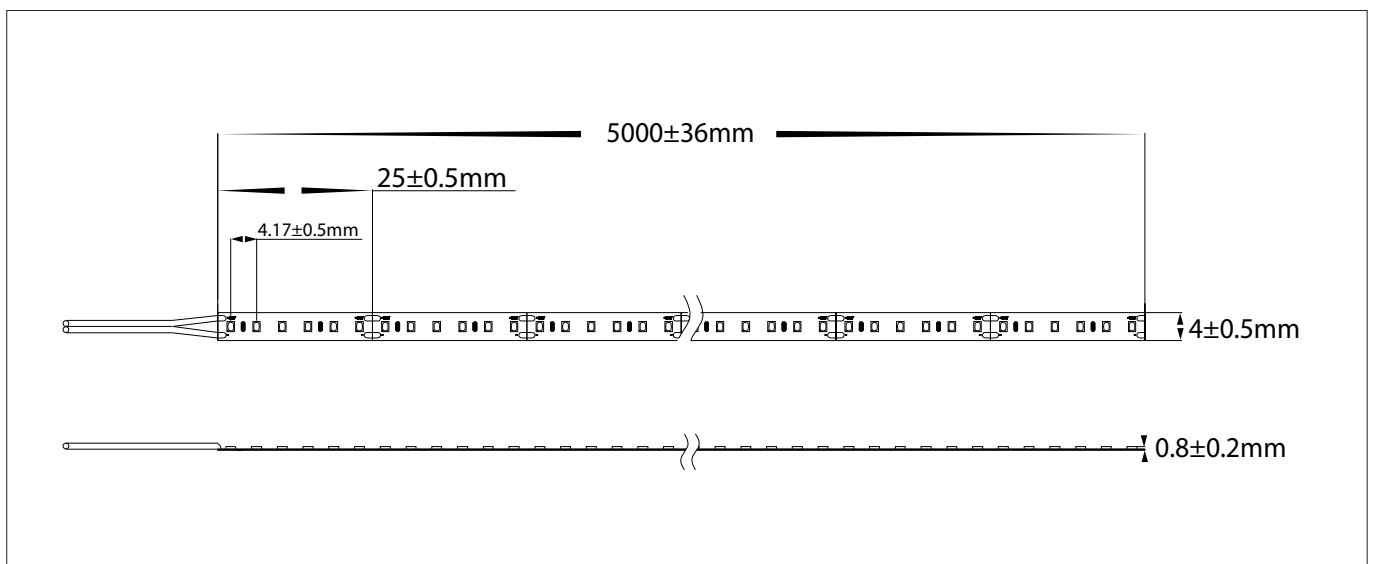
## PRODUCT DATA

14.4W MICRO IP20 LED STRIP	
LED CHIP TYPE	2216
SIZE	4MM X 2MM
PCB	3OZ
LED CHIPS / METRE	240
CUT INCREMENTS	25MM
COLOUR TEMP.	2700K   3000K   4000K   5000K
LUMEN OUTPUT	1135LM   1150LM   1175LM   1200LM
INPUT VOLTAGE	24V DC
WIRING	PARALLEL
MOUNTING	ALUMINIUM PROFILE OR HEAT SINK
MAXIMUM LENGTH	5,000MM
REQUIREMENTS	24V DC LED DRIVER
DIMMING	0-1/10V, DALI, DMX, RF & WIFI
CRI	RA>90
BEAM ANGLE	120°
IP RATING	IP20

## PRODUCT ORDERING

240 LED STRIP			
	<b>HCP-3125142</b>	2700K	1135LM
	<b>HCP-3125143</b>	3000K	1150LM
	<b>HCP-3125144</b>	4000K	1175LM
	<b>HCP-3125145</b>	5000K	1200LM

## OTHER DATA



# 4.8W SUPER EFFICIENCY IP20 LED STRIP



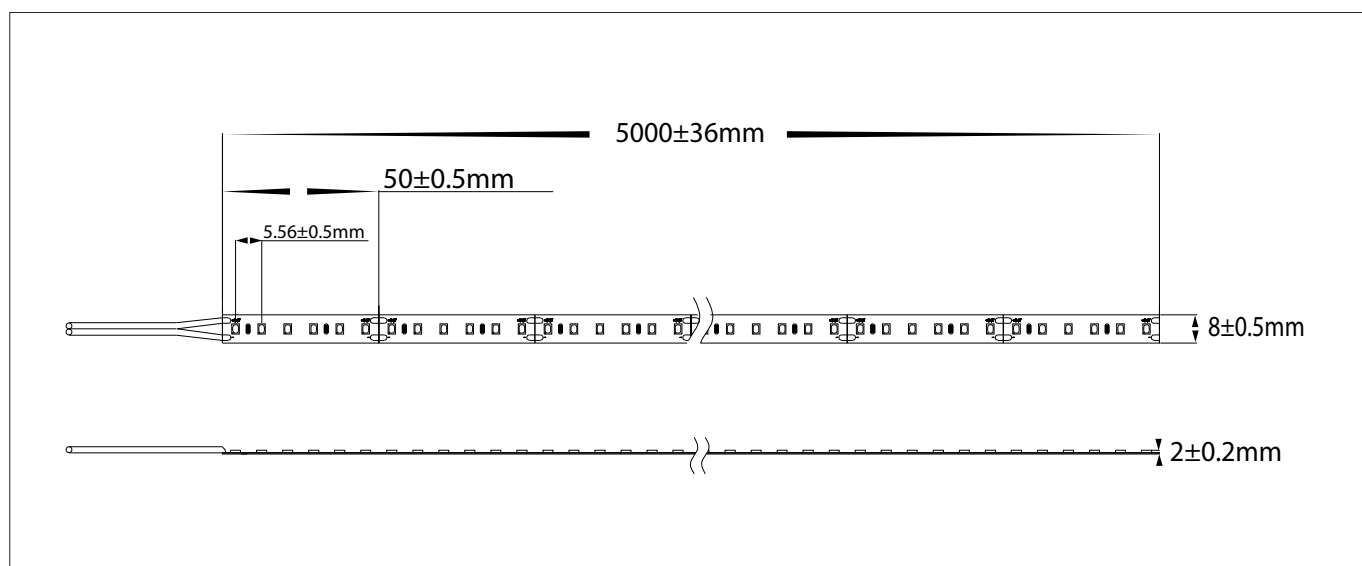
## PRODUCT DATA

4.8W SUPER EFFICIENCY IP20 LED STRIP	
LED CHIP TYPE	2835
SIZE	8MM X 2MM
PCB	30Z
LED CHIPS / METRE	180
CUT INCREMENTS	50MM
COLOUR TEMP.	2700K   3000K   4000K   5000K
LUMEN OUTPUT	875LM   896LM   980LM   919LM
INPUT VOLTAGE	24V DC
WIRING	PARALLEL
MOUNTING	ALUMINIUM PROFILE OR HEAT SINK
MAXIMUM LENGTH	5,000MM
REQUIREMENTS	24V DC LED DRIVER
DIMMING	0-1/10V, DALI, DMX, RF & WIFI
CRI	RA>90
BEAM ANGLE	120°
IP RATING	IP20

## PRODUCT ORDERING

180 LED STRIP			
	<b>HCP-3225482</b>	2700K	875LM
	<b>HCP-3225483</b>	3000K	896LM
	<b>HCP-3225484</b>	4000K	980LM
	<b>HCP-3225485</b>	5000K	919LM

## OTHER DATA



# 9.6W SUPER EFFICIENCY IP20 LED STRIP



12

LED STRIP

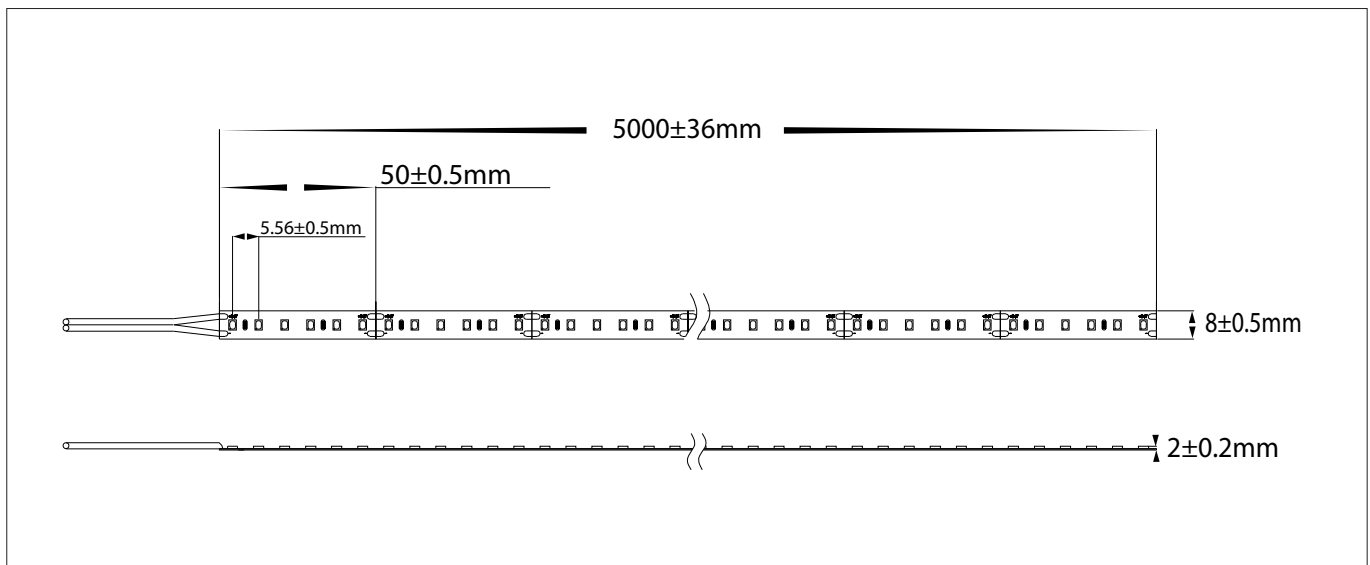
## PRODUCT DATA

9.6W SUPER EFFICIENCY IP20 LED STRIP	
LED CHIP TYPE	2835
SIZE	8MM X 2MM
PCB	3OZ
LED CHIPS / METRE	180
CUT INCREMENTS	50MM
COLOUR TEMP.	2700K   3000K   4000K   5000K
LUMEN OUTPUT	1652LM   1671LM   1634LM   1733LM
INPUT VOLTAGE	24V DC
WIRING	PARALLEL
MOUNTING	ALUMINIUM PROFILE OR HEAT SINK
MAXIMUM LENGTH	5,000MM
REQUIREMENTS	24V DC LED DRIVER
DIMMING	0-1/10V, DALI, DMX, RF & WIFI
CRI	RA>90
BEAM ANGLE	120°
IP RATING	IP20

## PRODUCT ORDERING

180 LED STRIP			
	<b>HCP-3225962</b>	2700K	1652LM
	<b>HCP-3225963</b>	3000K	1671LM
	<b>HCP-3225964</b>	4000K	1634LM
	<b>HCP-3225965</b>	5000K	1733LM

## OTHER DATA




# 4.8W IP20 LED STRIP LIGHT



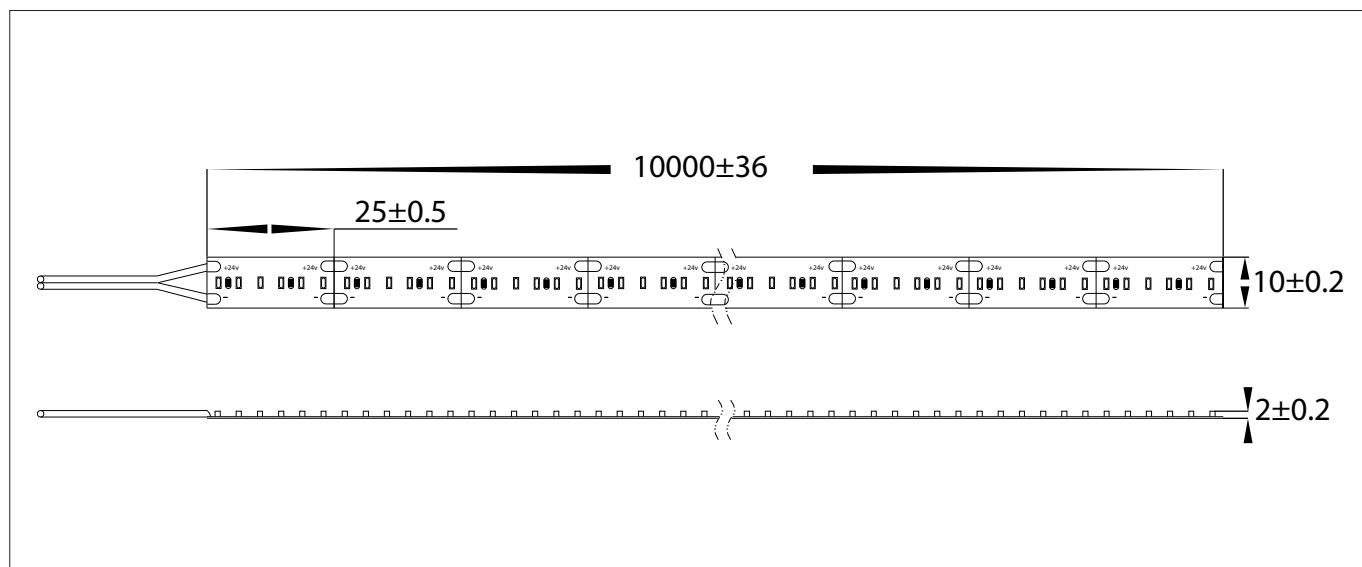
## PRODUCT DATA

4.8w IP20 LED STRIP LIGHT	
LED CHIP TYPE	2110
SIZE	10MM X 2MM
PCB	3OZ
LED CHIPS / METRE	240 LED
CUT INCREMENTS	EVERY 25MM
COLOUR TEMP.	2700K   3000K   4000K   5000K
LUMEN OUTPUT	340LM   345LM   360LM   400LM
INPUT VOLTAGE	24V DC
WIRING	PARALLEL
MOUNTING	ALUMINIUM PROFILE OR HEAT SINK
MAXIMUM LENGTH	10,000MM
REQUIREMENTS	24V DC LED DRIVER
DIMMING	0-1/10V, DALI, DMX, RF
CRI	RA >90
BEAM ANGLE	120°
IP RATING	IP20

## PRODUCT ORDERING

240 LED STRIP			
	<b>HCP-3325482</b>	2700K	340LM
	<b>HCP-3325483</b>	3000K	345LM
	<b>HCP-3325484</b>	4000K	360LM
	<b>HCP-3325485</b>	5000K	400LM

## OTHER DATA



# 9.6W IP20 LED STRIP LIGHT

12

LED STRIP



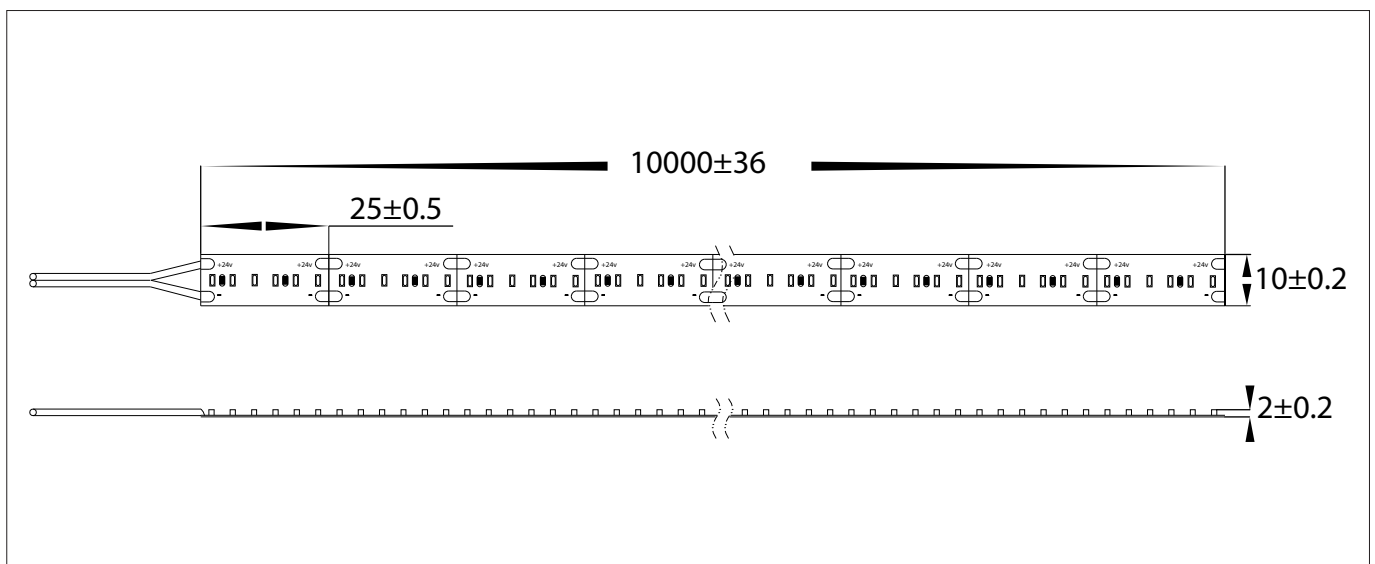
## PRODUCT DATA

9.6w IP20 LED STRIP LIGHT	
LED CHIP TYPE	2110
SIZE	10MM X 2MM
PCB	3OZ
LED CHIPS / METRE	240 LED
CUT INCREMENTS	EVERY 25MM
COLOUR TEMP.	2700K   3000K   4000K   5000K
LUMEN OUTPUT	630LM   650LM   690LM   728LM
INPUT VOLTAGE	24V DC
WIRING	PARALLEL
MOUNTING	ALUMINIUM PROFILE OR HEAT SINK
MAXIMUM LENGTH	10,000MM
REQUIREMENTS	24V DC LED DRIVER
DIMMING	0-1/10V, DALI, DMX, RF
CRI	RA >90
BEAM ANGLE	120°
IP RATING	IP20

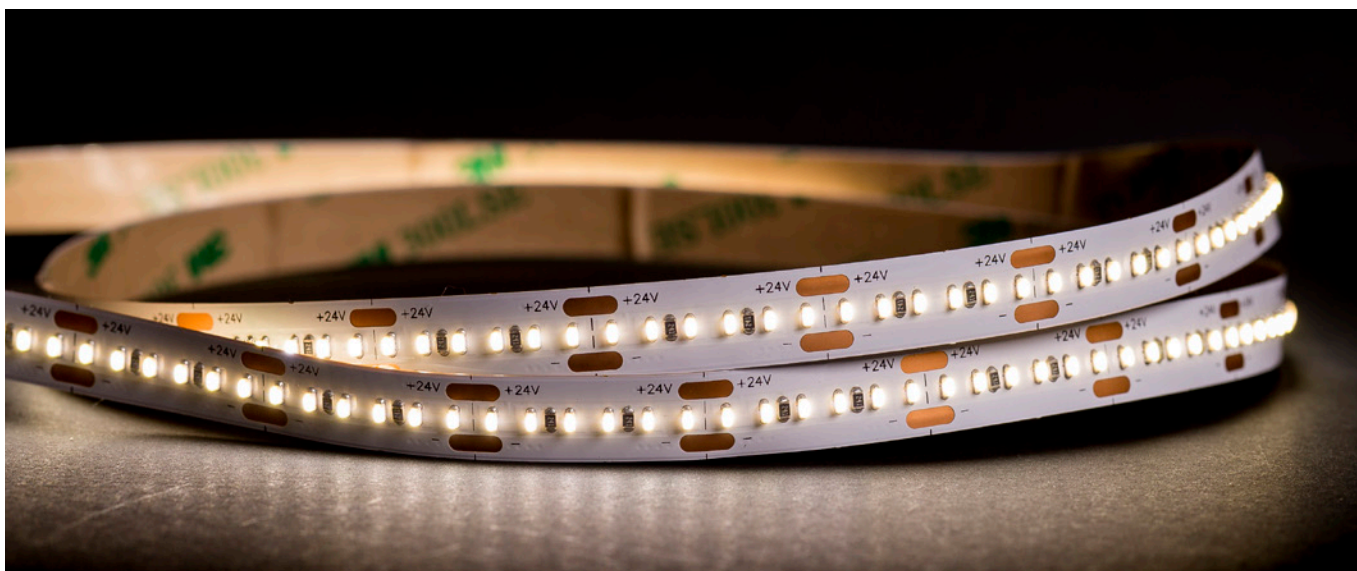
## PRODUCT ORDERING

240 LED STRIP			
	<b>HCP-3325962</b>	2700K	630LM
	<b>HCP-3325963</b>	3000K	650LM
	<b>HCP-3325964</b>	4000K	690LM
	<b>HCP-3325965</b>	5000K	728LM

## OTHER DATA



# 14.4W IP20 LED STRIP LIGHT



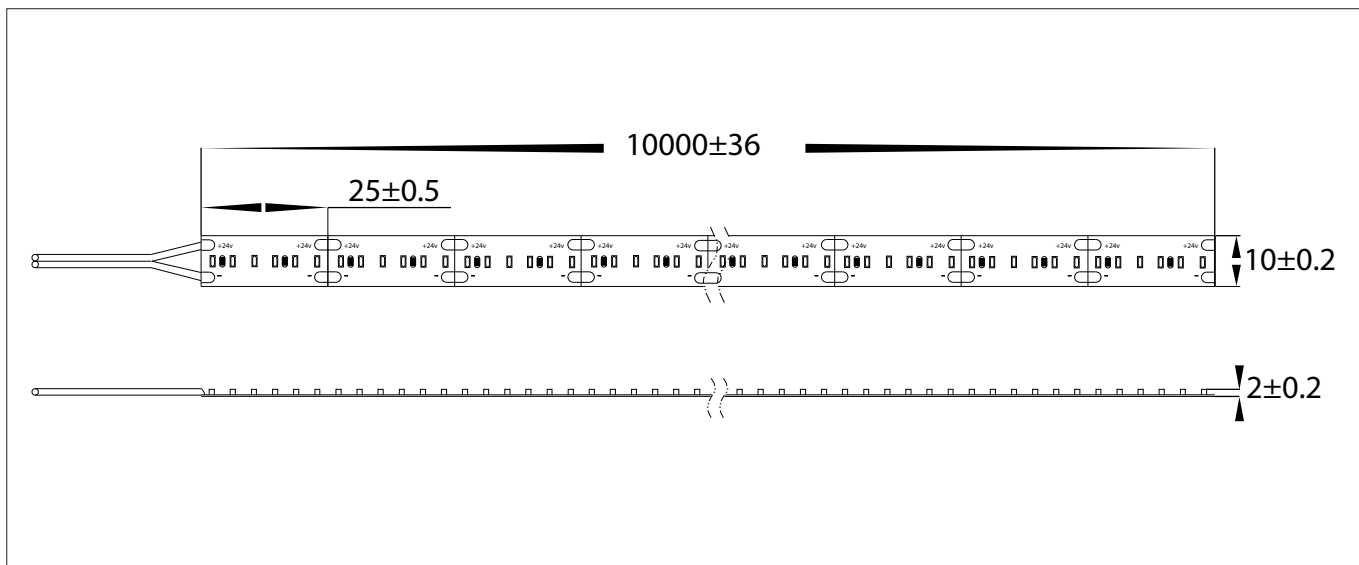
## PRODUCT DATA

14.4w IP20 LED STRIP LIGHT	
LED CHIP TYPE	2110
SIZE	10MM X 2MM
PCB	3OZ
LED CHIPS / METRE	240 LED
CUT INCREMENTS	EVERY 25MM
COLOUR TEMP.	2700K   3000K   4000K   5000K
LUMEN OUTPUT	950LM   990LM   1020LM   1100LM
INPUT VOLTAGE	24V DC
WIRING	PARALLEL
MOUNTING	ALUMINIUM PROFILE OR HEAT SINK
MAXIMUM LENGTH	10,000MM
REQUIREMENTS	24V DC LED DRIVER
DIMMING	0-1/10V, DALI, DMX, RF
CRI	RA >90
BEAM ANGLE	120°
IP RATING	IP20

## PRODUCT ORDERING

240 LED STRIP			
	<b>HCP-3325142</b>	2700K	950LM
	<b>HCP-3325143</b>	3000K	990LM
	<b>HCP-3325144</b>	4000K	1020LM
	<b>HCP-3325145</b>	5000K	1100LM

## OTHER DATA

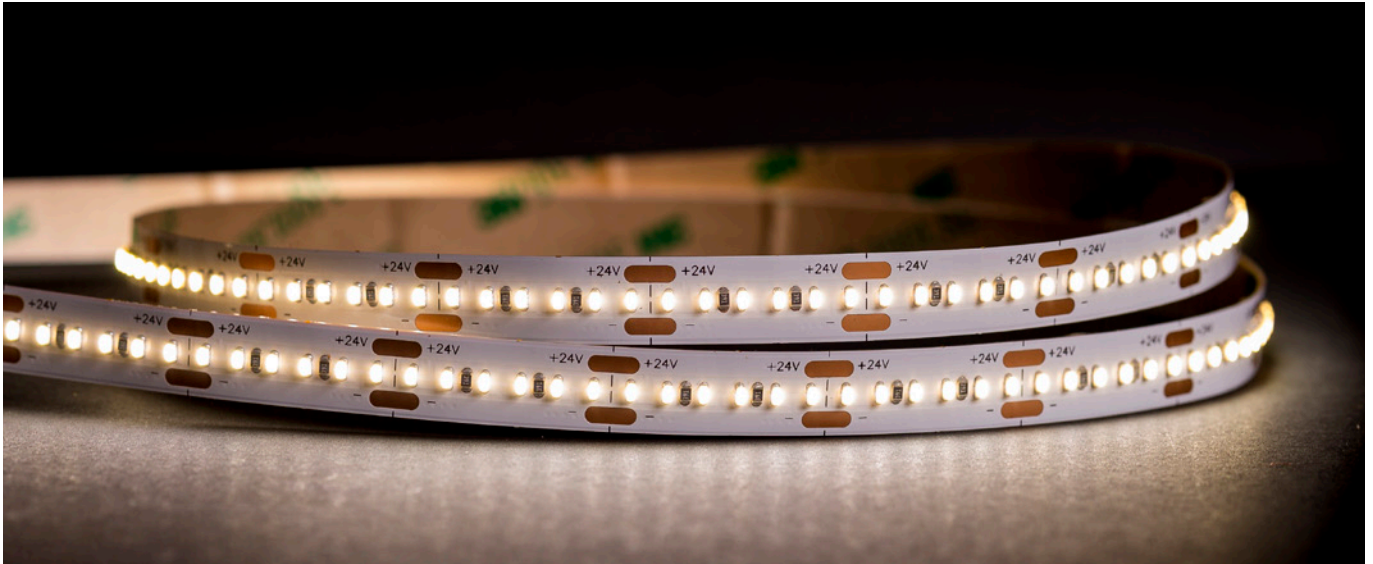




# 19.2W IP20 LED STRIP LIGHT

12

LED STRIP



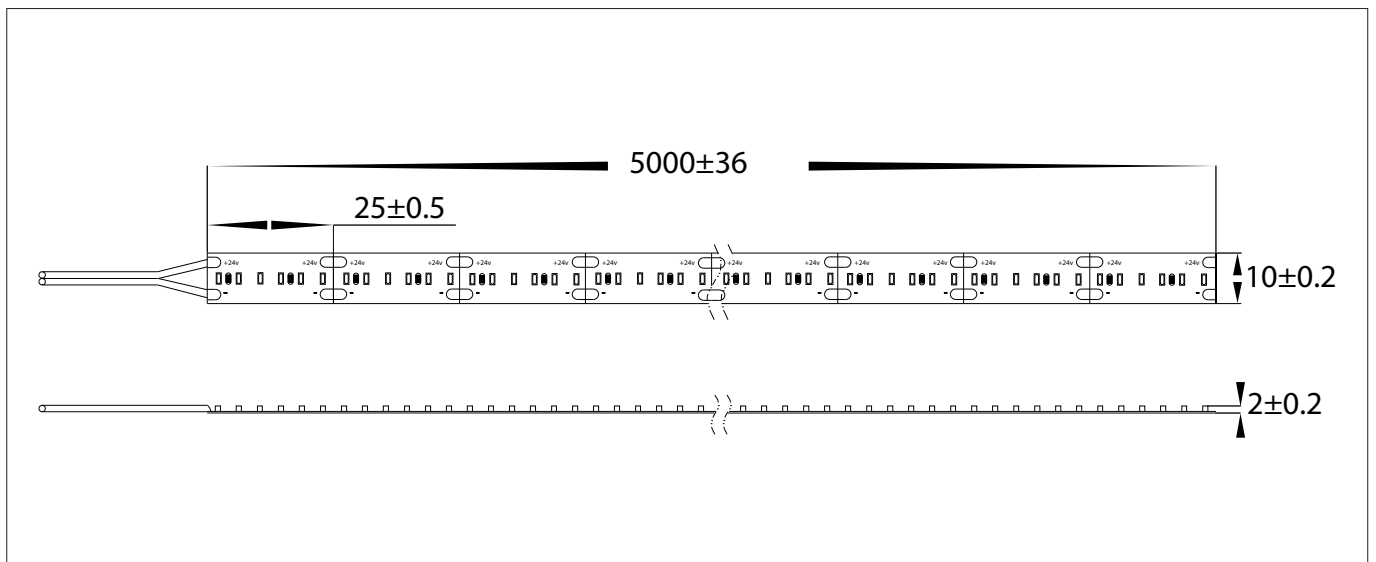
## PRODUCT DATA

19.2w IP20 LED STRIP LIGHT	
LED CHIP TYPE	2110
SIZE	10MM X 2MM
PCB	3OZ
LED CHIPS / METRE	240 LED
CUT INCREMENTS	EVERY 25MM
COLOUR TEMP.	2700K   3000K   4000K   5000K
LUMEN OUTPUT	1200LM   1250LM   1320LM   1450LM
INPUT VOLTAGE	24V DC
WIRING	PARALLEL
MOUNTING	ALUMINIUM PROFILE OR HEAT SINK
MAXIMUM LENGTH	5,000MM
REQUIREMENTS	24V DC LED DRIVER
DIMMING	0-1/10V, DALI, DMX, RF
CRI	RA >90
BEAM ANGLE	120°
IP RATING	IP20

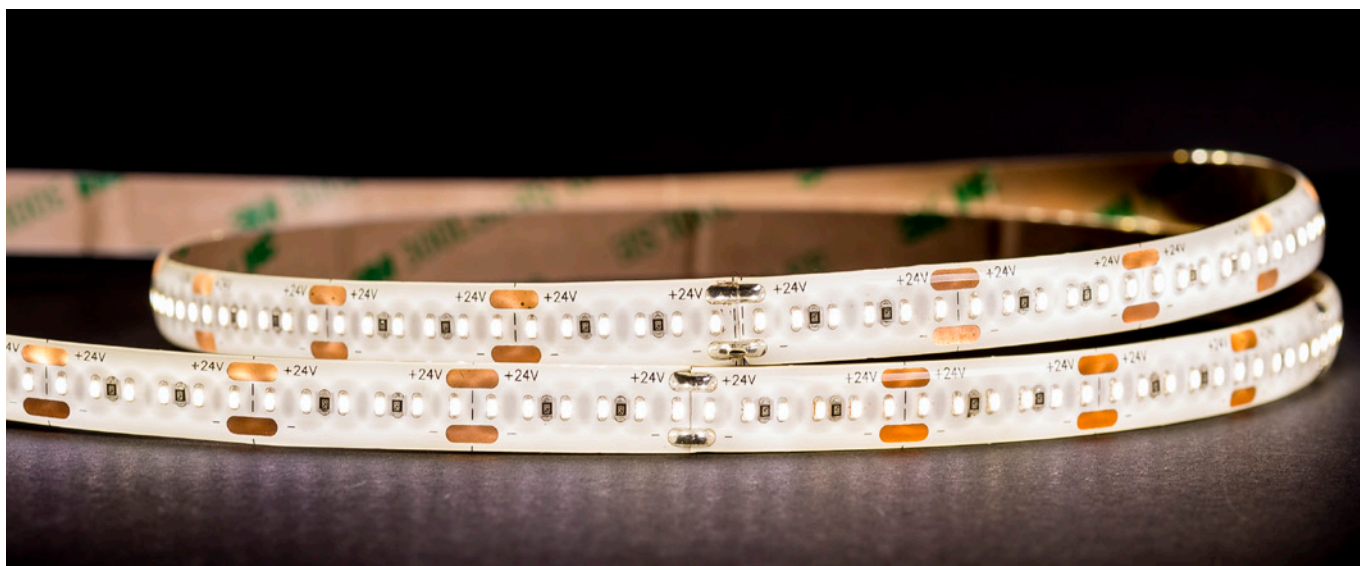
## PRODUCT ORDERING

240 LED STRIP			
	<b>HCP-3325192</b>	2700K	1220LM
	<b>HCP-3325193</b>	3000K	1250LM
	<b>HCP-3325194</b>	4000K	1320LM
	<b>HCP-3325195</b>	5000K	1450LM

## OTHER DATA



# 4.8W IP54 LED STRIP LIGHT



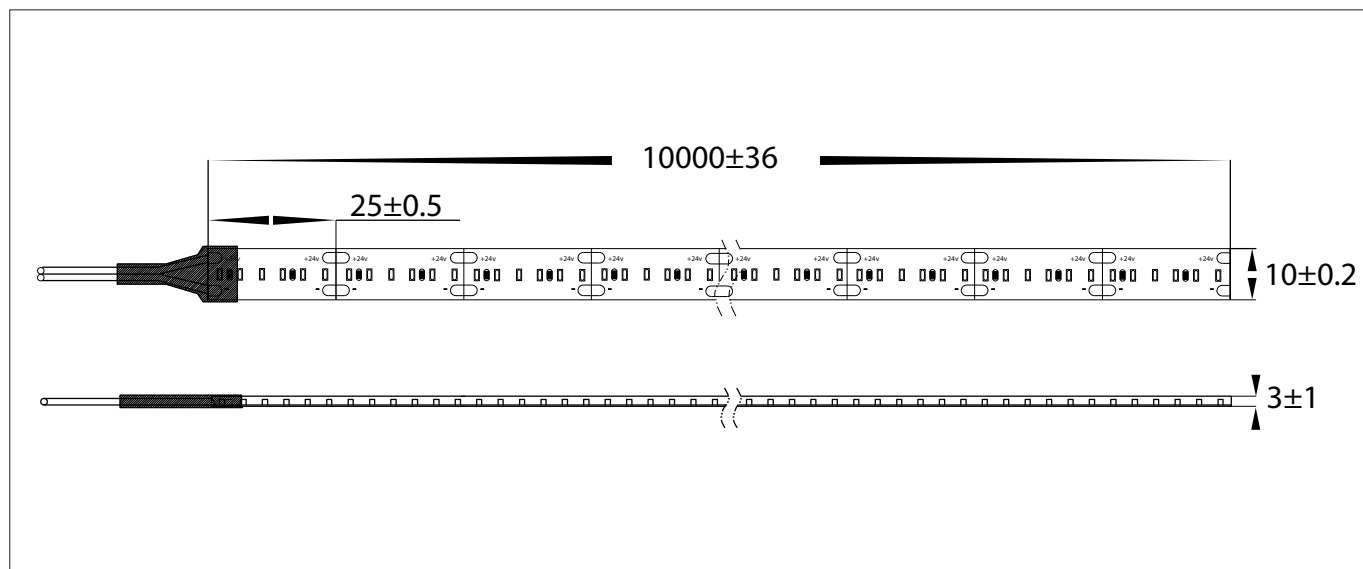
## PRODUCT DATA

4.8w IP54 LED STRIP LIGHT	
LED CHIP TYPE	2110
SIZE	10MM X 3MM
PCB	3OZ
LED CHIPS / METRE	240 LED
CUT INCREMENTS	EVERY 25MM
COLOUR TEMP.	2700K   3000K   4000K   5000K
LUMEN OUTPUT	329LM   330LM   360LM   362LM
INPUT VOLTAGE	24V DC
WIRING	PARALLEL
MOUNTING	ALUMINIUM PROFILE OR HEAT SINK
MAXIMUM LENGTH	10,000MM
REQUIREMENTS	24V DC LED DRIVER
DIMMING	0-1/10V, DALI, DMX, RF
CRI	RA >90
BEAM ANGLE	120°
IP RATING	IP54

## PRODUCT ORDERING

240 LED STRIP			
	<b>HCP-3355482</b>	2700K	329LM
	<b>HCP-3355483</b>	3000K	330LM
	<b>HCP-3355484</b>	4000K	360LM
	<b>HCP-3355485</b>	5000K	362LM

## OTHER DATA



# 9.6W IP54 LED STRIP LIGHT

12

LED STRIP



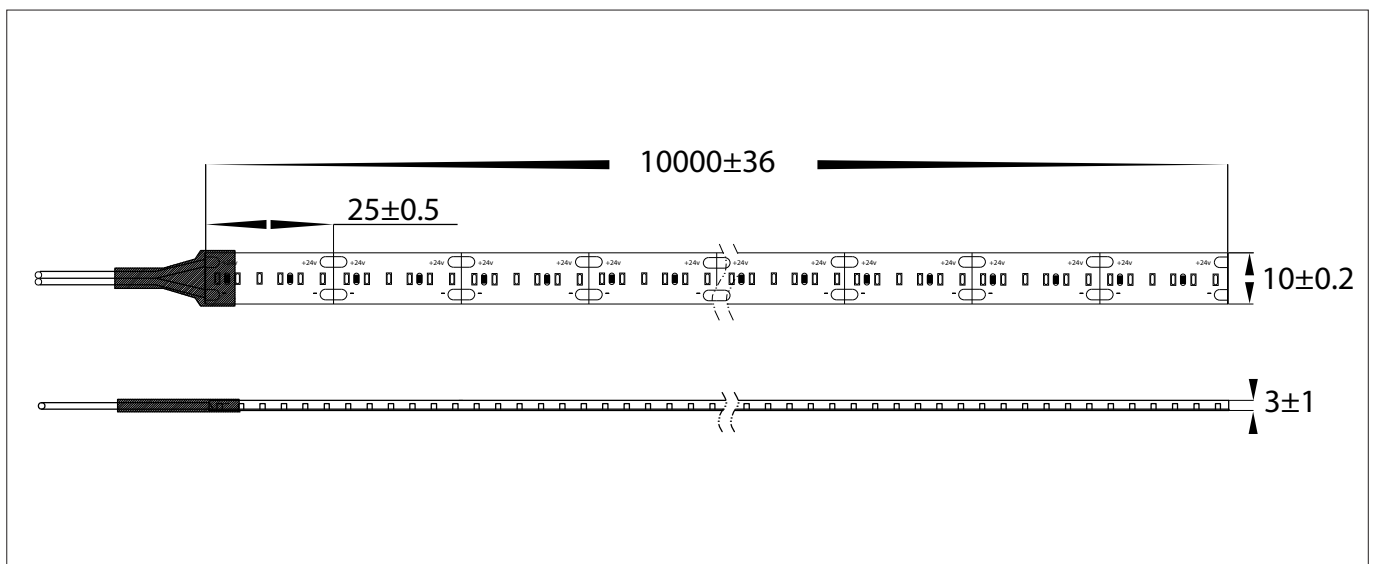
## PRODUCT DATA

9.6w IP54 LED STRIP LIGHT	
LED CHIP TYPE	2110
SIZE	10MM X 3MM
PCB	3OZ
LED CHIPS / METRE	240 LED
CUT INCREMENTS	EVERY 25MM
COLOUR TEMP.	2700K   3000K   4000K   5000K
LUMEN OUTPUT	610LM   630LM   690LM   728LM
INPUT VOLTAGE	24V DC
WIRING	PARALLEL
MOUNTING	ALUMINIUM PROFILE OR HEAT SINK
MAXIMUM LENGTH	10,000MM
REQUIREMENTS	24V DC LED DRIVER
DIMMING	0-1/10V, DALI, DMX, RF
CRI	RA >90
BEAM ANGLE	120°
IP RATING	IP54

## PRODUCT ORDERING

240 LED STRIP			
	<b>HCP-3355962</b>	2700K	610LM
	<b>HCP-3355963</b>	3000K	630LM
	<b>HCP-3355964</b>	4000K	690LM
	<b>HCP-3355965</b>	5000K	728LM

## OTHER DATA



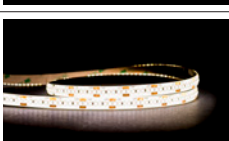
# 14.4W IP54 LED STRIP LIGHT



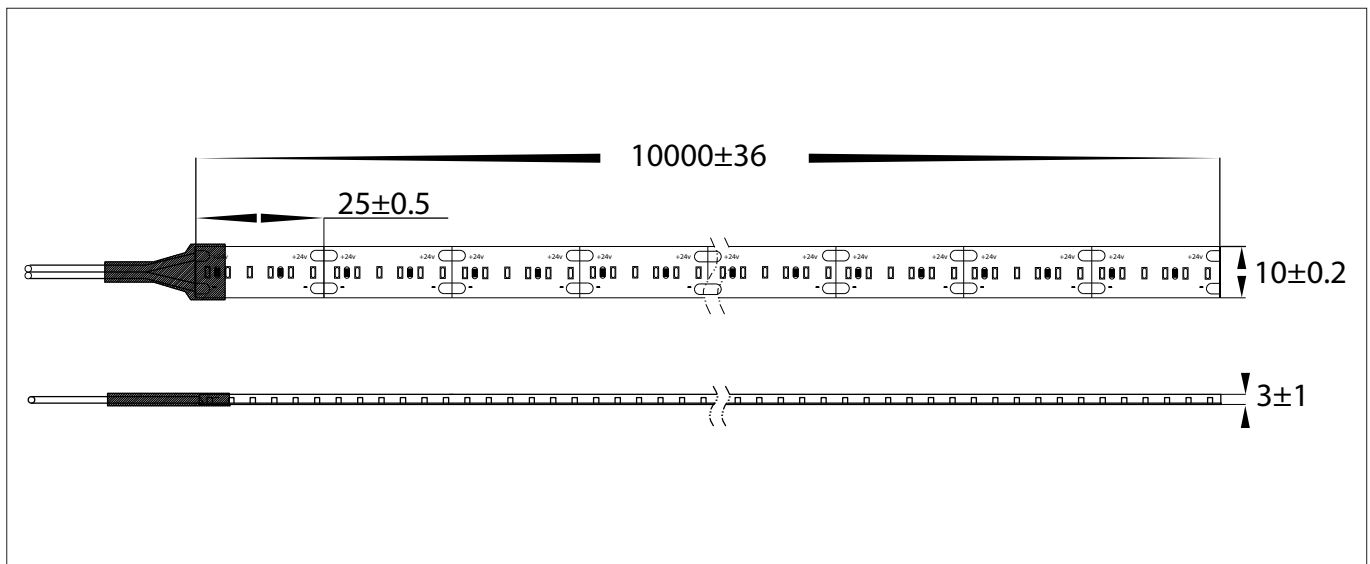
## PRODUCT DATA

14.4w IP54 LED STRIP LIGHT	
LED CHIP TYPE	2110
SIZE	10MM X 3MM
PCB	3OZ
LED CHIPS / METRE	240 LED
CUT INCREMENTS	EVERY 25MM
COLOUR TEMP.	2700K   3000K   4000K   5000K
LUMEN OUTPUT	909LM   967LM   978LM   1040LM
INPUT VOLTAGE	24V DC
WIRING	PARALLEL
MOUNTING	ALUMINIUM PROFILE OR HEAT SINK
MAXIMUM LENGTH	10,000MM
REQUIREMENTS	24V DC LED DRIVER
DIMMING	0-1/10V, DALI, DMX, RF
CRI	RA >90
BEAM ANGLE	120°
IP RATING	IP54

## PRODUCT ORDERING

240 LED STRIP			
	<b>HCP-3355142</b>	2700K	909LM
	<b>HCP-3355143</b>	3000K	967LM
	<b>HCP-3355144</b>	4000K	978LM
	<b>HCP-3355145</b>	5000K	1040LM

## OTHER DATA




# 19.2W IP54 LED STRIP LIGHT



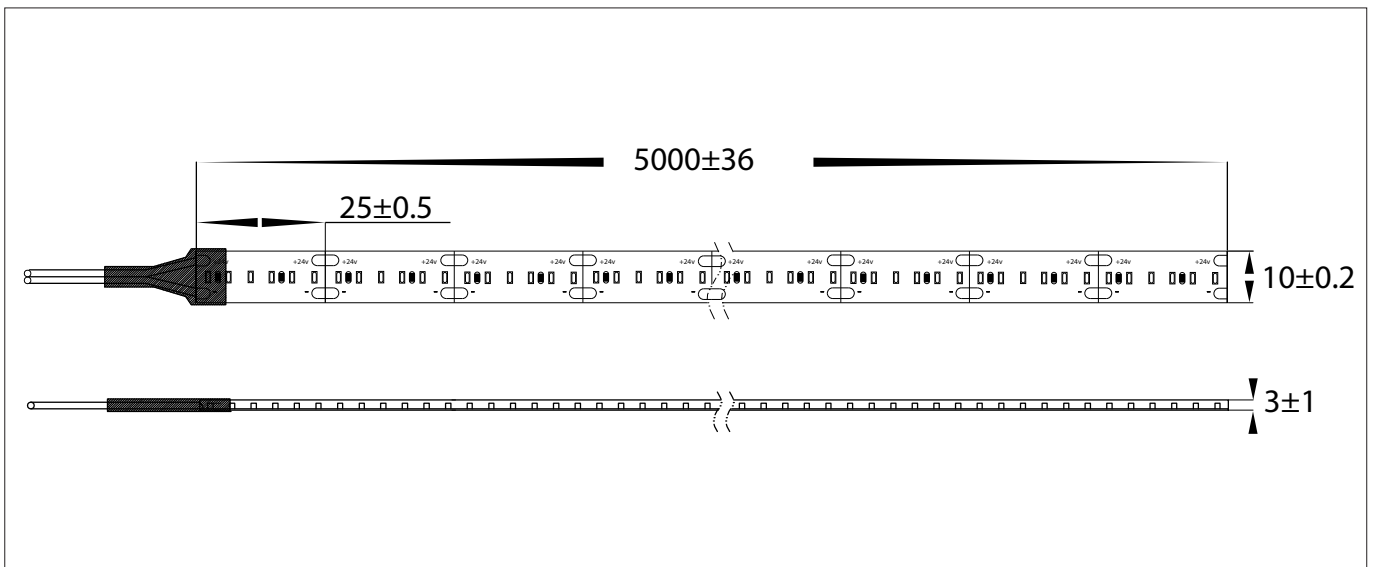
## PRODUCT DATA

19.2w IP54 LED STRIP LIGHT	
LED CHIP TYPE	2110
SIZE	10MM X 3MM
PCB	3OZ
LED CHIPS / METRE	240 LED
CUT INCREMENTS	EVERY 25MM
COLOUR TEMP.	2700K   3000K   4000K   5000K
LUMEN OUTPUT	1250LM   1278LM   1362LM   1438LM
INPUT VOLTAGE	24V DC
WIRING	PARALLEL
MOUNTING	ALUMINIUM PROFILE OR HEAT SINK
MAXIMUM LENGTH	5.000MM
REQUIREMENTS	24V DC LED DRIVER
DIMMING	0-1/10V, DALI, DMX, RF
CRI	RA >90
BEAM ANGLE	120°
IP RATING	IP54

## PRODUCT ORDERING

240 LED STRIP			
	<b>HCP-3355192</b>	2700K	1250LM
	<b>HCP-3355193</b>	3000K	1278LM
	<b>HCP-3355194</b>	4000K	1362LM
	<b>HCP-3355195</b>	5000K	1438LM

## OTHER DATA



# 4.8W IP67 LED STRIP LIGHT



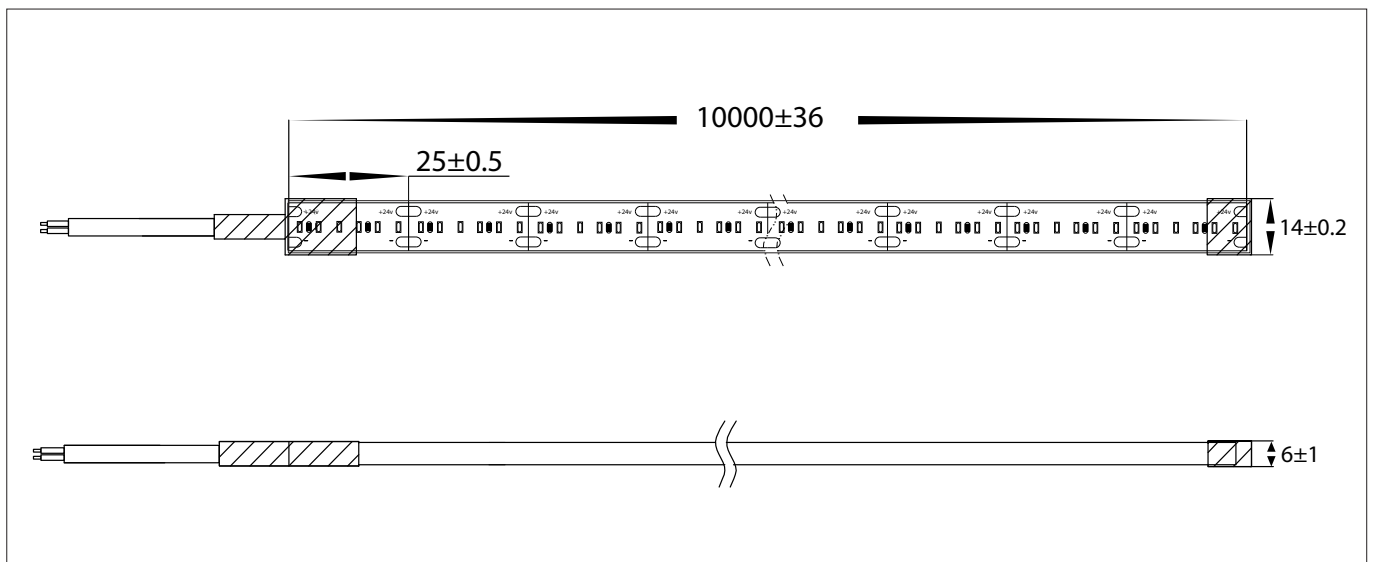
## PRODUCT DATA

4.8w IP67 LED STRIP LIGHT	
LED CHIP TYPE	2110
SIZE	14MM X 6MM
PCB	3OZ
LED CHIPS / METRE	240 LED
CUT INCREMENTS	EVERY 25MM
COLOUR TEMP.	2700K   3000K   4000K   5000K
LUMEN OUTPUT	270LM   305LM   329LM   342LM
INPUT VOLTAGE	24V DC
WIRING	PARALLEL
MOUNTING	ALUMINIUM PROFILE OR HEAT SINK
MAXIMUM LENGTH	10,000MM
REQUIREMENTS	24V DC LED DRIVER
DIMMING	0-1/10V, DALI, DMX, RF
CRI	RA >90
BEAM ANGLE	120°
IP RATING	IP67

## PRODUCT ORDERING

240 LED STRIP			
	<b>HCP-3365482</b>	2700K	270LM
	<b>HCP-3365483</b>	3000K	305LM
	<b>HCP-3365484</b>	4000K	329LM
	<b>HCP-3365485</b>	5000K	342LM

## OTHER DATA



# 9.6W IP67 LED STRIP LIGHT



12

LED STRIP

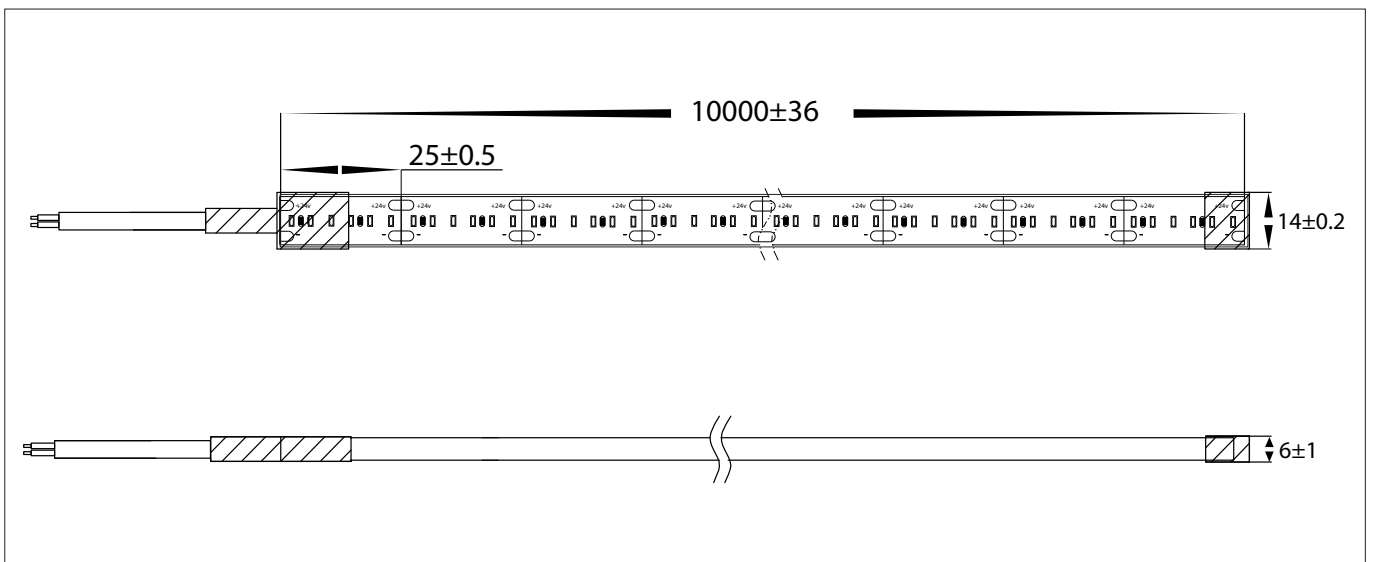
## PRODUCT DATA

9.6w IP67 LED STRIP LIGHT	
LED CHIP TYPE	2110
SIZE	14MM X 6MM
PCB	3OZ
LED CHIPS / METRE	240 LED
CUT INCREMENTS	EVERY 25MM
COLOUR TEMP.	2700K   3000K   4000K   5000K
LUMEN OUTPUT	558LM   599LM   629LM   625LM
INPUT VOLTAGE	24V DC
WIRING	PARALLEL
MOUNTING	ALUMINIUM PROFILE OR HEAT SINK
MAXIMUM LENGTH	10,000MM
REQUIREMENTS	24V DC LED DRIVER
DIMMING	0-1/10V, DALI, DMX, RF
CRI	RA >90
BEAM ANGLE	120°
IP RATING	IP67

## PRODUCT ORDERING

240 LED STRIP			
	<b>HCP-3365962</b>	2700K	558LM
	<b>HCP-3365963</b>	3000K	599LM
	<b>HCP-3365964</b>	4000K	629LM
	<b>HCP-3365965</b>	5000K	625LM

## OTHER DATA



# 14.4W IP67 LED STRIP LIGHT



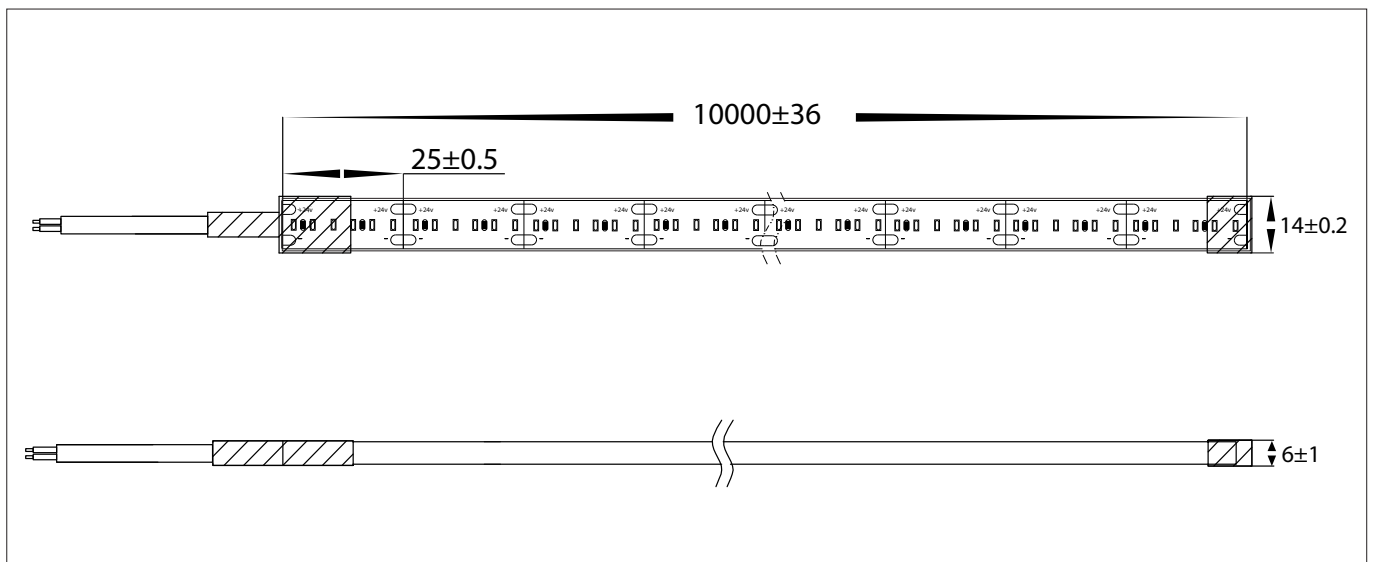
## PRODUCT DATA

14.4w IP67 LED STRIP LIGHT	
LED CHIP TYPE	2110
SIZE	14MM X 6MM
PCB	3OZ
LED CHIPS / METRE	240 LED
CUT INCREMENTS	EVERY 25MM
COLOUR TEMP.	2700K   3000K   4000K   5000K
LUMEN OUTPUT	810LM   883LM   904LM   933LM
INPUT VOLTAGE	24V DC
WIRING	PARALLEL
MOUNTING	ALUMINIUM PROFILE OR HEAT SINK
MAXIMUM LENGTH	10,000MM
REQUIREMENTS	24V DC LED DRIVER
DIMMING	0-1/10V, DALI, DMX, RF
CRI	RA >90
BEAM ANGLE	120°
IP RATING	IP67

## PRODUCT ORDERING

240 LED STRIP			
	<b>HCP-3365142</b>	2700K	810LM
	<b>HCP-3365143</b>	3000K	883LM
	<b>HCP-3365144</b>	4000K	904LM
	<b>HCP-3365145</b>	5000K	933LM

## OTHER DATA





# 19.2W IP67 LED STRIP LIGHT

12

LED STRIP



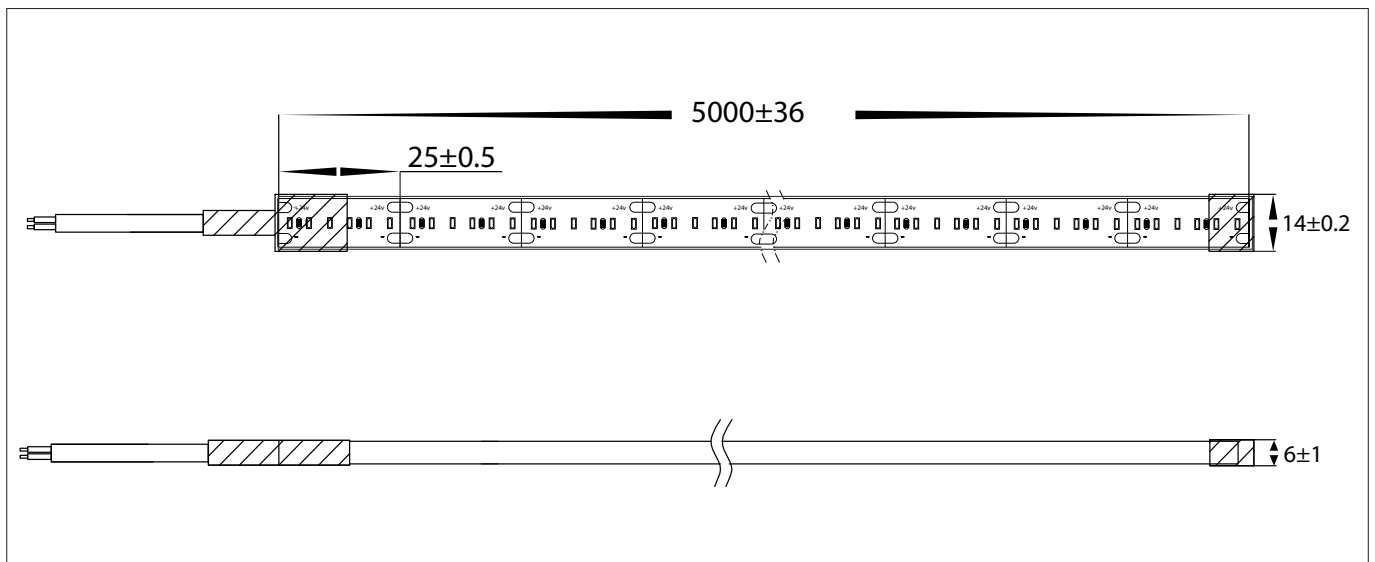
## PRODUCT DATA

19.2w IP67 LED STRIP LIGHT	
LED CHIP TYPE	2110
SIZE	14MM X 6MM
PCB	3OZ
LED CHIPS / METRE	240 LED
CUT INCREMENTS	EVERY 25MM
COLOUR TEMP.	2700K   3000K   4000K   5000K
LUMEN OUTPUT	1150LM   1268LM   1328LM   1384LM
INPUT VOLTAGE	24V DC
WIRING	PARALLEL
MOUNTING	ALUMINIUM PROFILE OR HEAT SINK
MAXIMUM LENGTH	5,000MM
REQUIREMENTS	24V DC LED DRIVER
DIMMING	0-1/10V, DALI, DMX, RF
CRI	RA >90
BEAM ANGLE	120°
IP RATING	IP67

## PRODUCT ORDERING

240 LED STRIP			
	<b>HCP-3365192</b>	2700K	1150LM
	<b>HCP-3365193</b>	3000K	1268LM
	<b>HCP-3365194</b>	4000K	1328LM
	<b>HCP-3365195</b>	5000K	1384LM

## OTHER DATA



# HIGH DENSITY 19.2W IP20 LED STRIP LIGHT



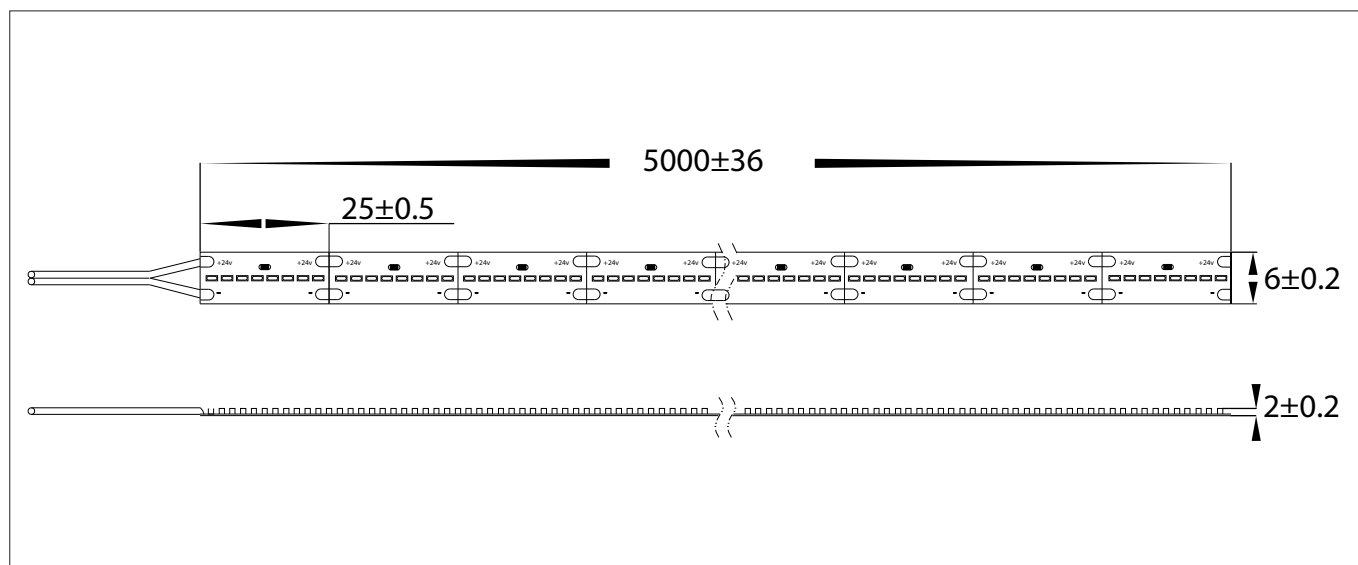
## PRODUCT DATA

HIGH DENSITY 19.2w IP20 LED STRIP LIGHT	
LED CHIP TYPE	2110
SIZE	6MM X 2MM
PCB	3OZ
LED CHIPS / METRE	320 LED
CUT INCREMENTS	EVERY 25MM
COLOUR TEMP.	2700K   3000K   4000K   5000K
LUMEN OUTPUT	1750LM   1767LM   1837LM   1858LM
INPUT VOLTAGE	24V DC
WIRING	PARALLEL
MOUNTING	ALUMINIUM PROFILE OR HEAT SINK
MAXIMUM LENGTH	5,000MM
REQUIREMENTS	24V DC LED DRIVER
DIMMING	0-1/10V, DALI, DMX, RF
CRI	RA >90
BEAM ANGLE	120°
IP RATING	IP20

## PRODUCT ORDERING

320 LED STRIP			
	<b>HCP-3326192</b>	2700K	1750LM
	<b>HCP-3326193</b>	3000K	1767LM
	<b>HCP-3326194</b>	4000K	1837LM
	<b>HCP-3326195</b>	5000K	1858LM

## OTHER DATA



# HIGH DENSITY 20W IP20 LED STRIP LIGHT






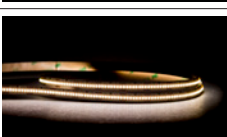
12

LED STRIP

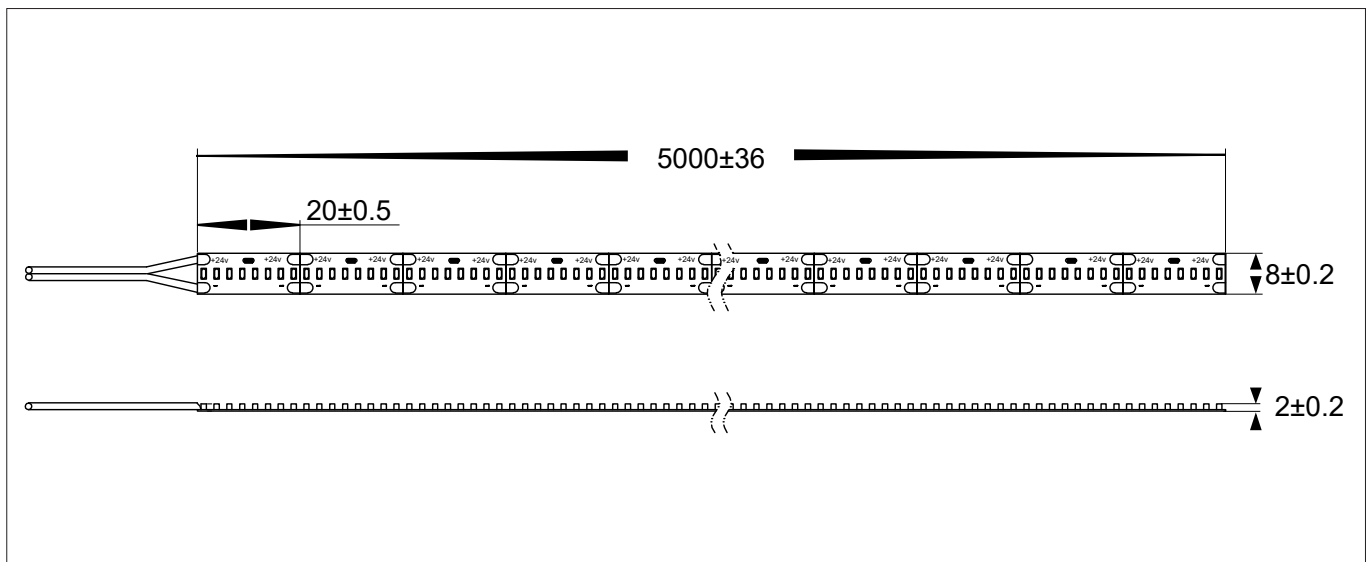
## PRODUCT DATA

HIGH DENSITY 20w IP20 LED STRIP LIGHT	
LED CHIP TYPE	2110
SIZE	8MM X 2MM
PCB	3OZ
LED CHIPS / METRE	400 LED
CUT INCREMENTS	EVERY 20MM
COLOUR TEMP.	2700K   3000K   4000K   5000K
LUMEN OUTPUT	1717LM   1865LM   2089LM   2097LM
INPUT VOLTAGE	24V DC
WIRING	PARALLEL
MOUNTING	ALUMINIUM PROFILE OR HEAT SINK
MAXIMUM LENGTH	5,000MM
REQUIREMENTS	24V DC LED DRIVER
DIMMING	0-1/10V, DALI, DMX, RF
CRI	RA >90
BEAM ANGLE	120°
IP RATING	IP20

## PRODUCT ORDERING

400 LED STRIP			
	<b>HCP-3327202</b>	2700K	1717LM
	<b>HCP-3327203</b>	3000K	1865LM
	<b>HCP-3327204</b>	4000K	2089LM
	<b>HCP-3327205</b>	5000K	2097LM

## OTHER DATA



# HIGH DENSITY 24W IP20 LED STRIP LIGHT



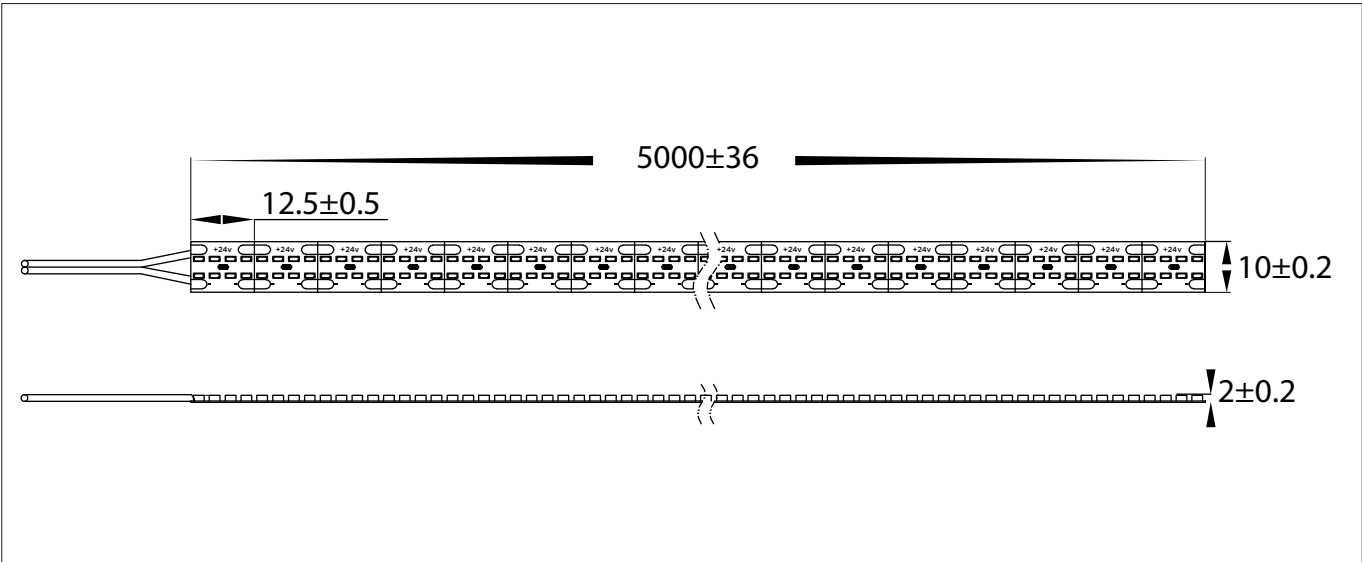
## PRODUCT DATA

HIGH DENSITY 24w IP20 LED STRIP LIGHT	
LED CHIP TYPE	2110
SIZE	10MM X 2MM
PCB	3OZ
LED CHIPS / METRE	640 LED
CUT INCREMENTS	EVERY 12.5MM
COLOUR TEMP.	2700K   3000K   4000K   5000K
LUMEN OUTPUT	2214LM   2327LM   2491LM   2384LM
INPUT VOLTAGE	24V DC
WIRING	PARALLEL
MOUNTING	ALUMINIUM PROFILE OR HEAT SINK
MAXIMUM LENGTH	5,000MM
REQUIREMENTS	24V DC LED DRIVER
DIMMING	0-1/10V, DALI, DMX, RF
CRI	RA >90
BEAM ANGLE	120°
IP RATING	IP20

## PRODUCT ORDERING

640 LED STRIP			
	<b>HCP-3328242</b>	2700K	2214LM
	<b>HCP-3328243</b>	3000K	2327LM
	<b>HCP-3328244</b>	4000K	2491LM
	<b>HCP-3328245</b>	5000K	2384LM

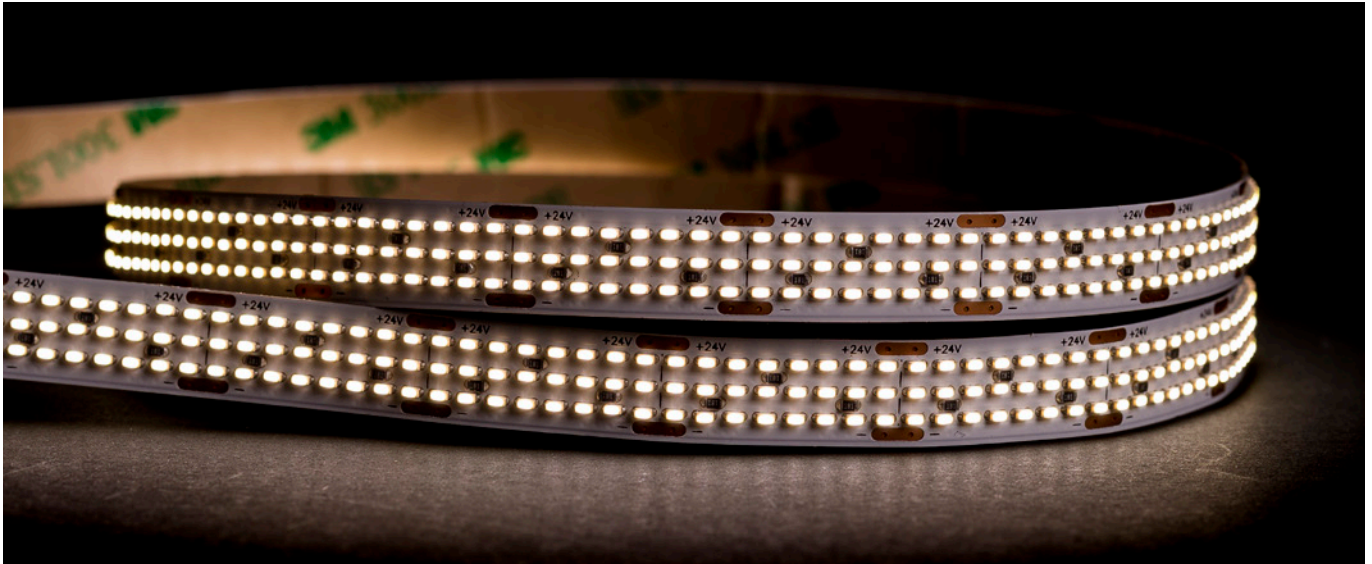
## OTHER DATA



# HIGH DENSITY 28.8W IP20 LED STRIP LIGHT

12

LED STRIP



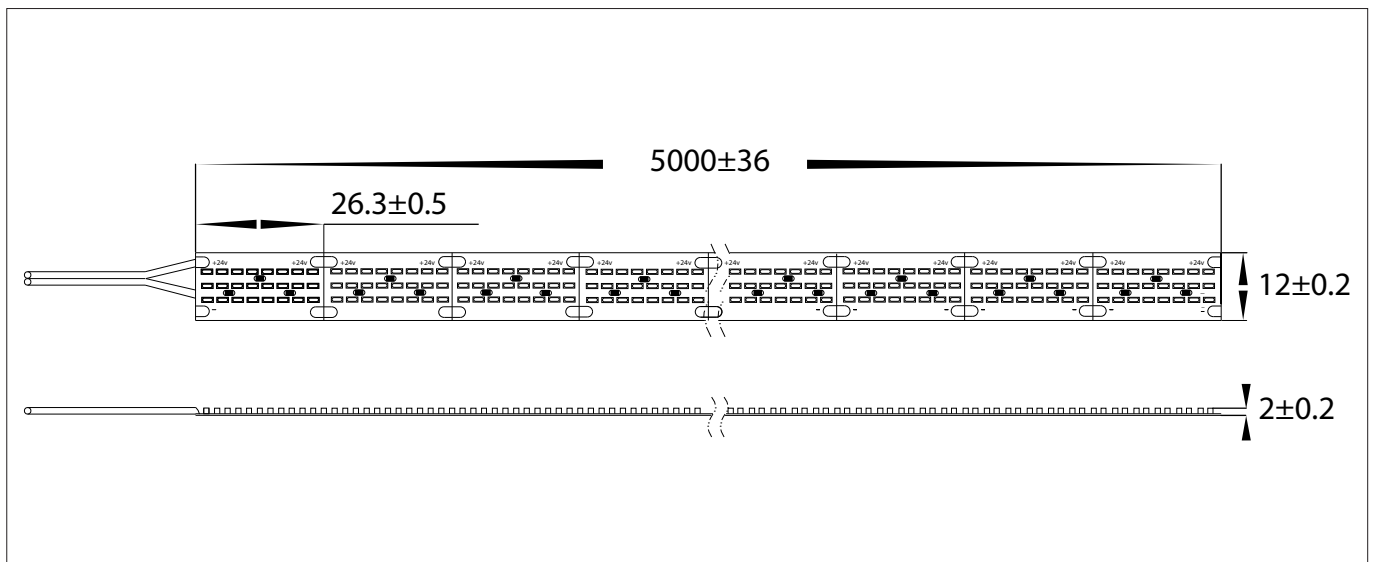
## PRODUCT DATA

HIGH DENSITY 28.8w IP20 LED STRIP LIGHT	
LED CHIP TYPE	2110
SIZE	12MM X 2MM
PCB	3OZ
LED CHIPS / METRE	912 LED
CUT INCREMENTS	EVERY 26MM
COLOUR TEMP.	2700K   3000K   4000K   5000K
LUMEN OUTPUT	2727LM   2837LM   2999LM   3031LM
INPUT VOLTAGE	24V DC
WIRING	PARALLEL
MOUNTING	ALUMINIUM PROFILE OR HEAT SINK
MAXIMUM LENGTH	5,000MM
REQUIREMENTS	24V DC LED DRIVER
DIMMING	0-1/10V, DALI, DMX, RF
CRI	RA >90
BEAM ANGLE	120°
IP RATING	IP20

## PRODUCT ORDERING

912 LED STRIP			
	<b>HCP-3329282</b>	2700K	2727LM
	<b>HCP-3329283</b>	3000K	2837LM
	<b>HCP-3329284</b>	4000K	2999LM
	<b>HCP-3329285</b>	5000K	3031LM

## OTHER DATA



# 14.4W IP54 BENDABLE LED STRIP



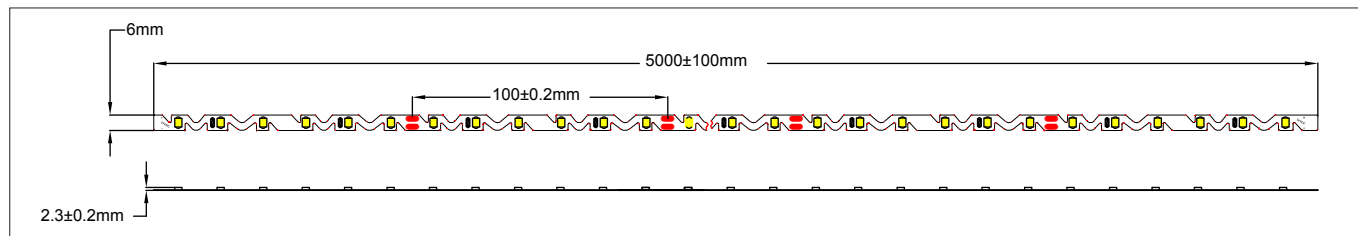
## PRODUCT DATA

14.4w IP54 BENDABLE LED STRIP	
LED CHIP TYPE	2835
SIZE	6MM X 3MM
PCB	3OZ
LED CHIPS / METRE	60 LED
CUT INCREMENTS	EVERY 100MM
COLOUR TEMP.	2700K   3000K   4000K   5000K
LUMEN OUTPUT	909M   967LM   978LM   1040LM
INPUT VOLTAGE	24V DC
WIRING	PARALLEL
MOUNTING	ALUMINIUM PROFILE OR HEAT SINK
MAXIMUM LENGTH	5,000MM
REQUIREMENTS	24V DC LED DRIVER
DIMMING	0-1/10V, DALI, DMX, RF
CRI	RA >90
BEAM ANGLE	120°
IP RATING	IP54

## PRODUCT ORDERING

LED STRIP			
	<b>HCP-3251142</b>	2700K	909LM
	<b>HCP-3251143</b>	3000K	967LM
	<b>HCP-3251144</b>	4000K	978LM
	<b>HCP-3251145</b>	5000K	1040LM

## OTHER DATA





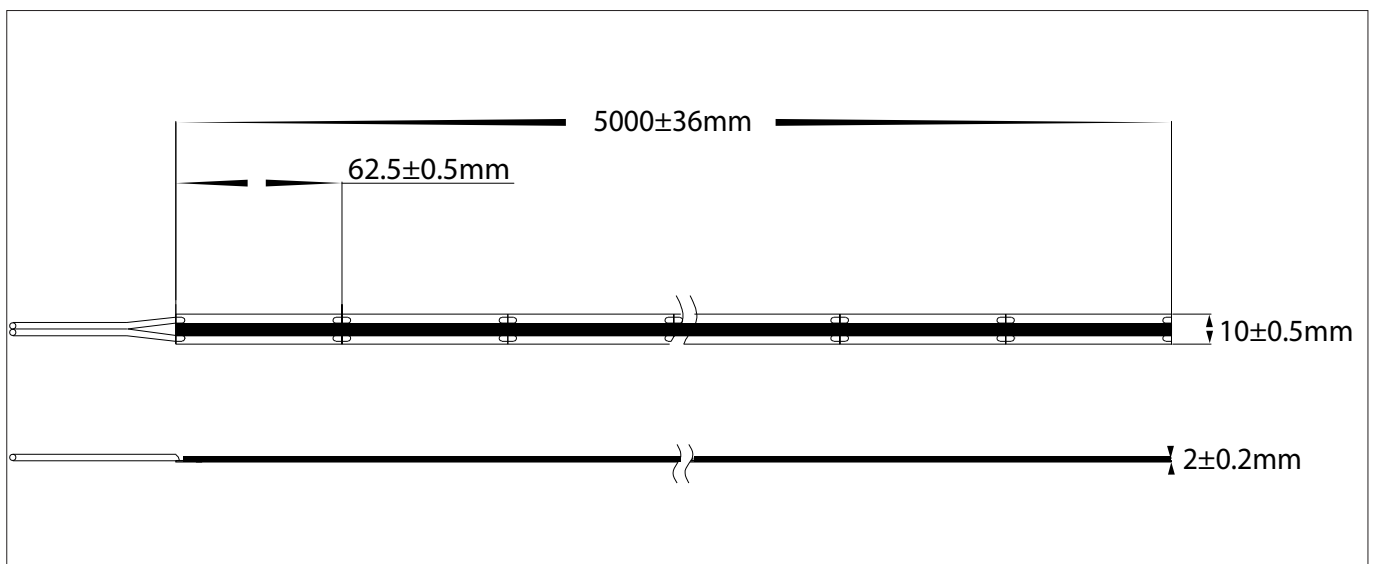
## PRODUCT DATA

11W IP20 COB LED STRIP	
LED CHIP TYPE	COB
SIZE	10MM X 2MM
PCB	3OZ
LED CHIPS / METRE	512 LED
CUT INCREMENTS	62.5MM
COLOUR TEMP	2700K   3000K   4000K   5000K
LUMEN OUTPUT	892LM   908LM   1005LM   1028LM
INPUT VOLTAGE	24V DC
WIRING	PARALLEL
MOUNTING	ALUMINIUM HEAT SINK OR PROFILE
MAXIMUM LENGTH	5,000MM
REQUIREMENTS	24V DC LED DRIVER
DIMMING	TRIAC, 0-1/10V, DALI, DMX, RF, WIFI
CRI	RA>90
BEAM ANGLE	120°
IP RATING	IP20

## PRODUCT ORDERING

512 LED STRIP			
	<b>HCP-3221112</b>	2700K	892LM
	<b>HCP-3221113</b>	3000K	908LM
	<b>HCP-3221114</b>	4000K	1005LM
	<b>HCP-3221115</b>	5000K	1028LM

## OTHER DATA




# 20W DIM TO WARM IP20 LED STRIP



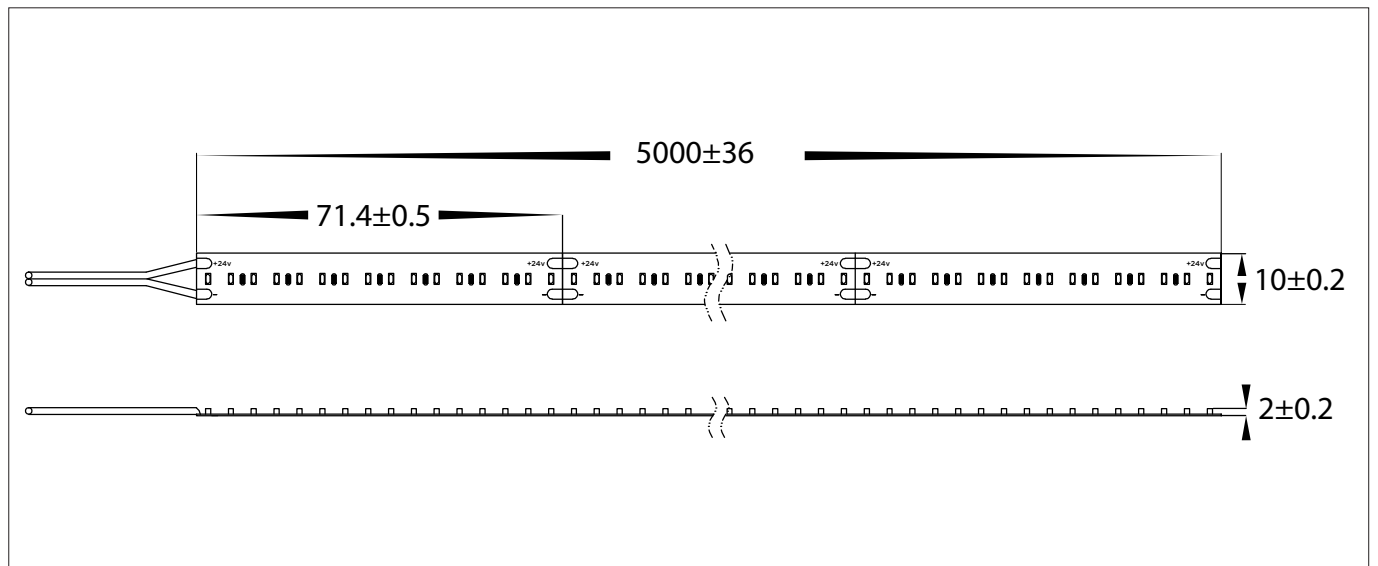
## PRODUCT DATA

20W DIM TO WARM IP20 LED STRIP	
LED CHIP TYPE	2110
SIZE	10MM X 2MM
PCB	30Z
LED CHIPS / METRE	224 LED
CUT INCREMENTS	EVERY 72MM
COLOUR TEMP.	1800K + 2700K
LUMEN OUTPUT	1000LM
INPUT VOLTAGE	24V DC
WIRING	PARALLEL
MOUNTING	ALUMINIUM PROFILE OR HEAT SINK
MAXIMUM LENGTH	5,000MM
REQUIREMENTS	24V DC LED DRIVER + DIMMER
DIMMING	0-1/10V
CRI	RA >90
BEAM ANGLE	120°
IP RATING	IP20

## PRODUCT ORDERING

224 LED STRIP			
	<b>HCP-3324200</b>	1800K + 2700K	1000LM

## OTHER DATA

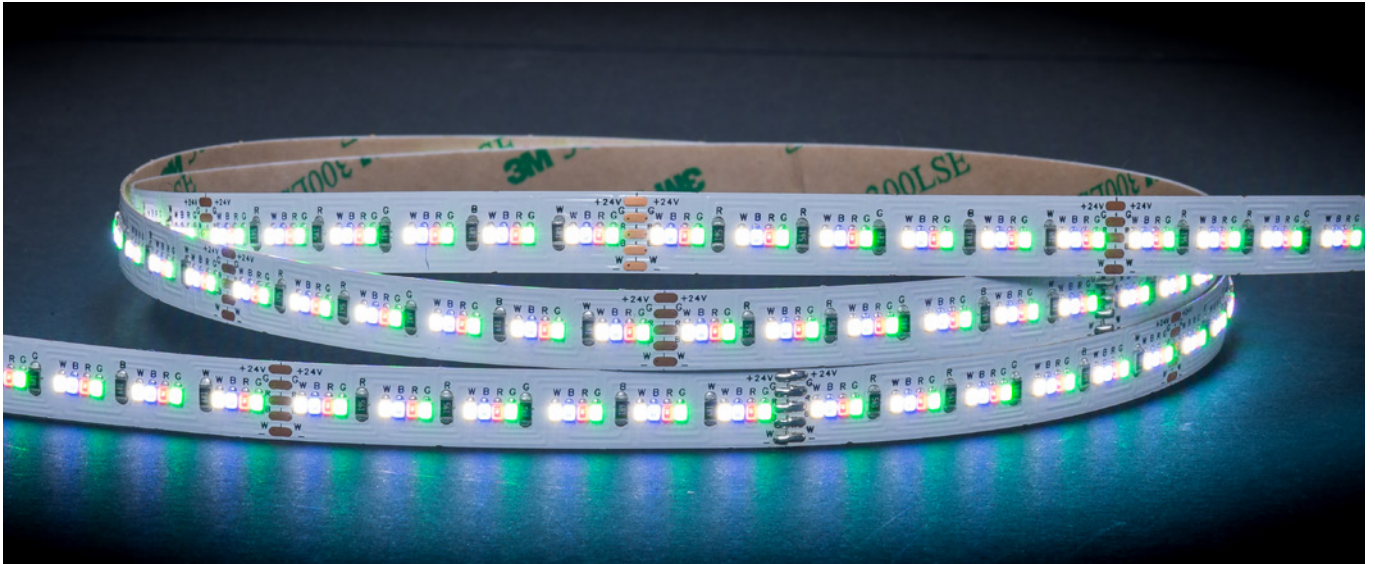




# 16W RGB+3000K & RGB+5000K IP20 LED STRIP

12

LED STRIP



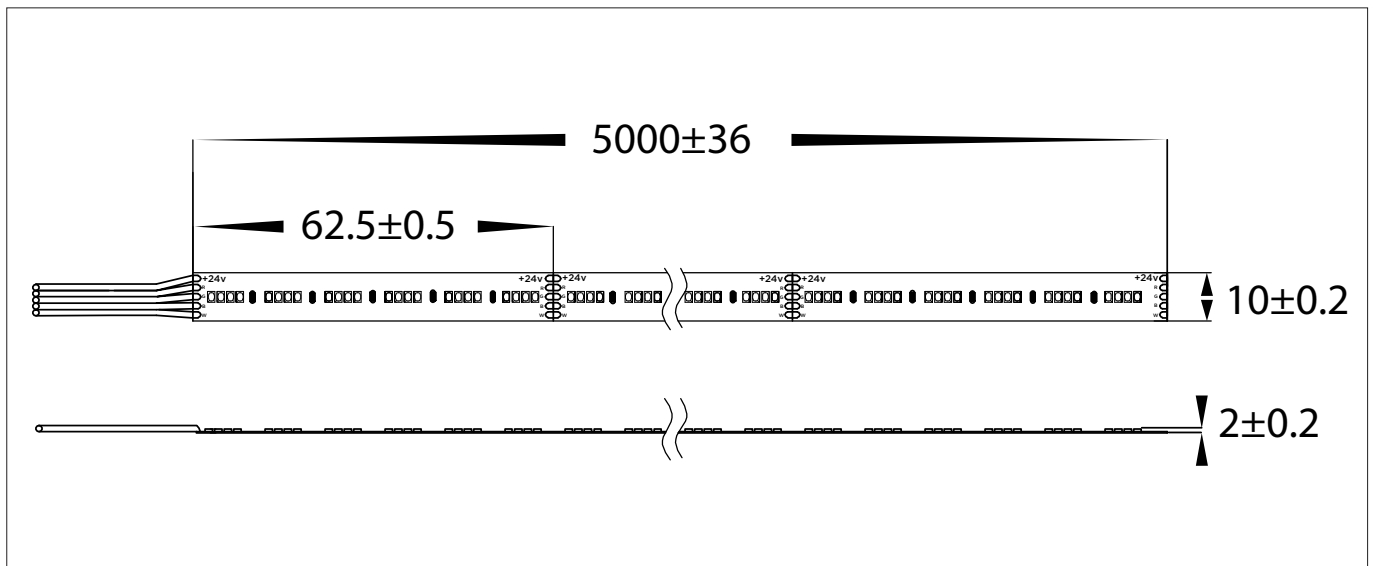
## PRODUCT DATA

16W RGBC + RGBW IP20 LED STRIP	
LED CHIP TYPE	2110
SIZE	10MM X 2MM
PCB	30Z
LED CHIPS / METRE	384 LED
CUT INCREMENTS	EVERY 62MM
COLOUR TEMP.	RGB + 5000K   RGB + 3000K
LUMEN OUTPUT	750LM   700LM
INPUT VOLTAGE	24V DC
WIRING	PARALLEL
MOUNTING	ALUMINIUM PROFILE OR HEAT SINK
MAXIMUM LENGTH	5,000MM
REQUIREMENTS	24V DC LED DRIVER + CONTROLLER
DIMMING	0-1/10V, DALI, DMX, RF
CRI	RA >90
BEAM ANGLE	120°
IP RATING	IP20

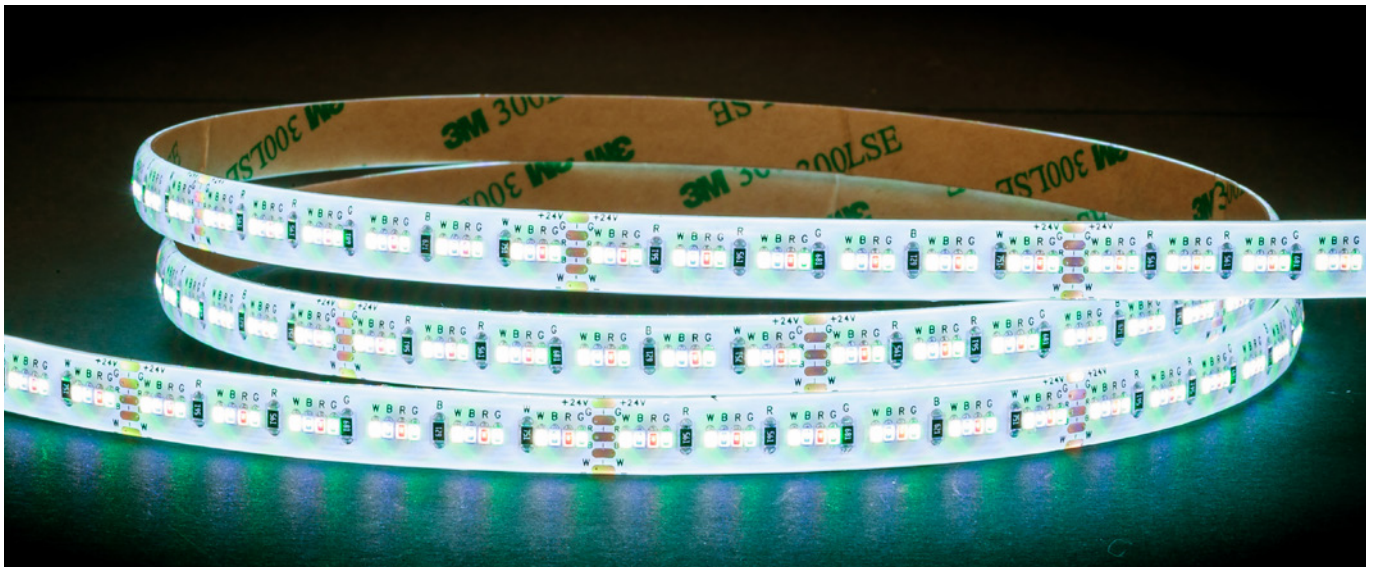
## PRODUCT ORDERING

384 LED STRIP			
	<b>HCP-3426150</b>	RGB + 5000K	750LM
	<b>HCP-3426151</b>	RGB + 3000K	700LM

## OTHER DATA



# 16W RGB+3000K & RGB+5000K IP54 LED STRIP



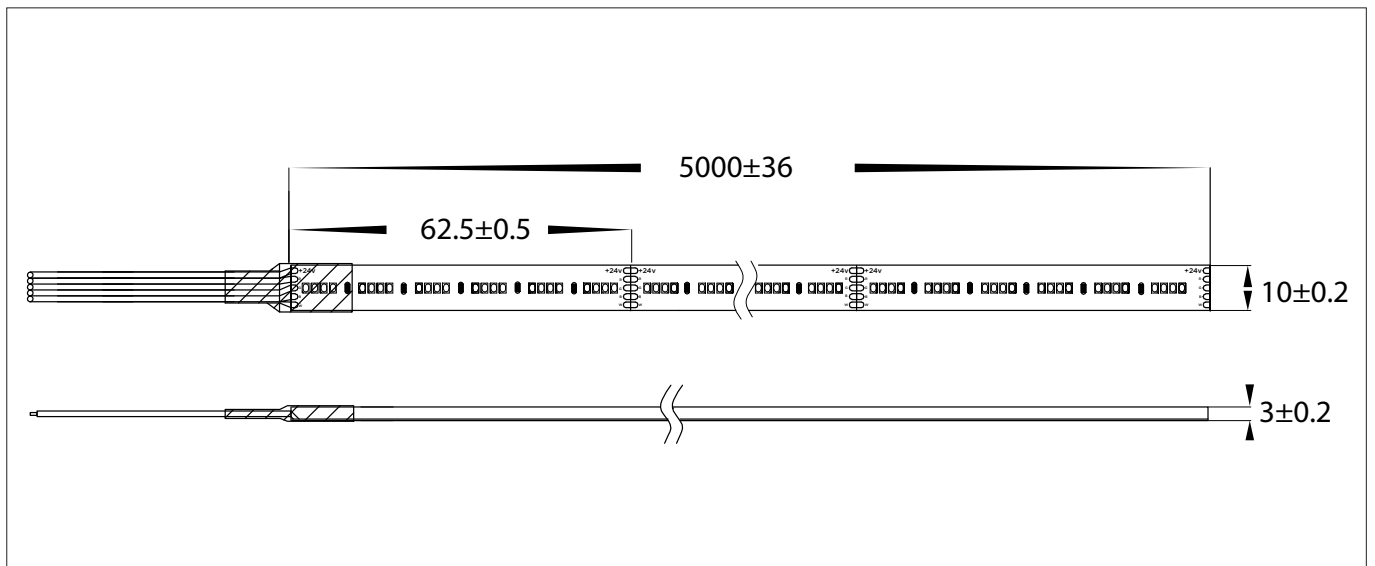
## PRODUCT DATA

16W RGBC + RGBW IP54 LED STRIP	
LED CHIP TYPE	2216
SIZE	10MM X 3MM
PCB	3OZ
LED CHIPS / METRE	384 LED
CUT INCREMENTS	EVERY 62.5MM
COLOUR TEMP.	RGB + 5000K   RGB + 3000K
LUMEN OUTPUT	750LM   700LM
INPUT VOLTAGE	24V DC
WIRING	PARALLEL
MOUNTING	ALUMINIUM PROFILE OR HEAT SINK
MAXIMUM LENGTH	5,000MM
REQUIREMENTS	24V DC LED DRIVER + CONTROLLER
DIMMING	0-1/10V, DALI, DMX & RF
CRI	RA >90
BEAM ANGLE	120°
IP RATING	IP54

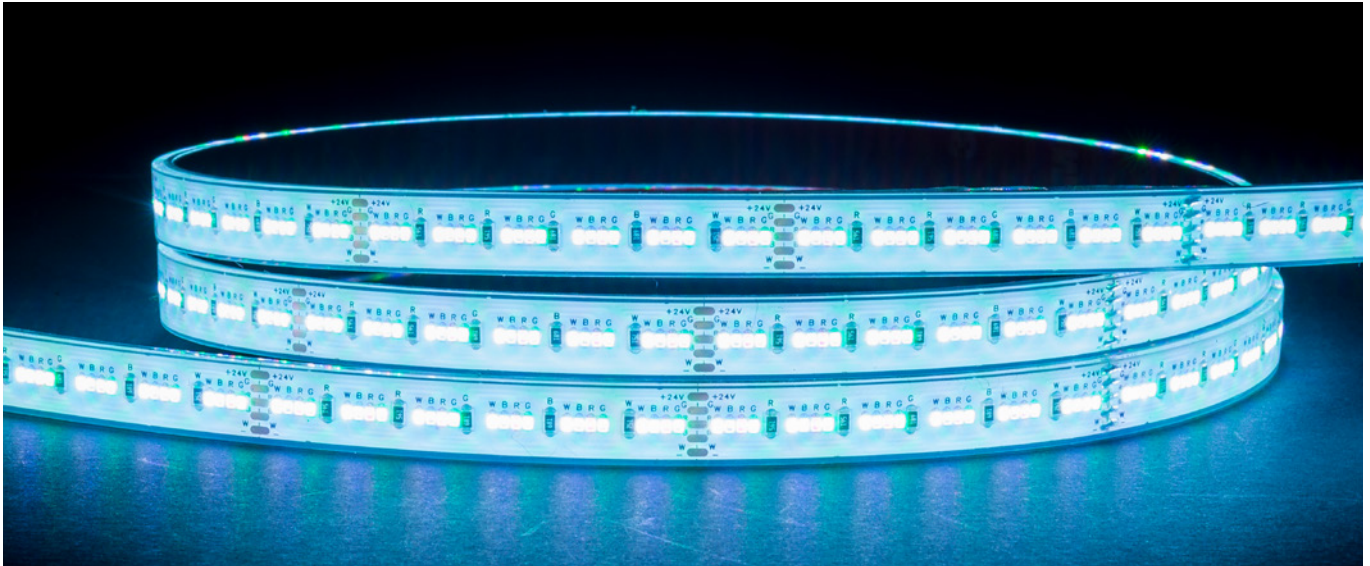
## PRODUCT ORDERING

384 LED STRIP			
	<b>HCP-3456150</b>	RGB + 5000K	750LM
	<b>HCP-3456151</b>	RGB + 3000K	700LM

## OTHER DATA



# 16W RGB+3000K & RGB+5000K IP67 LED STRIP



12

LED STRIP

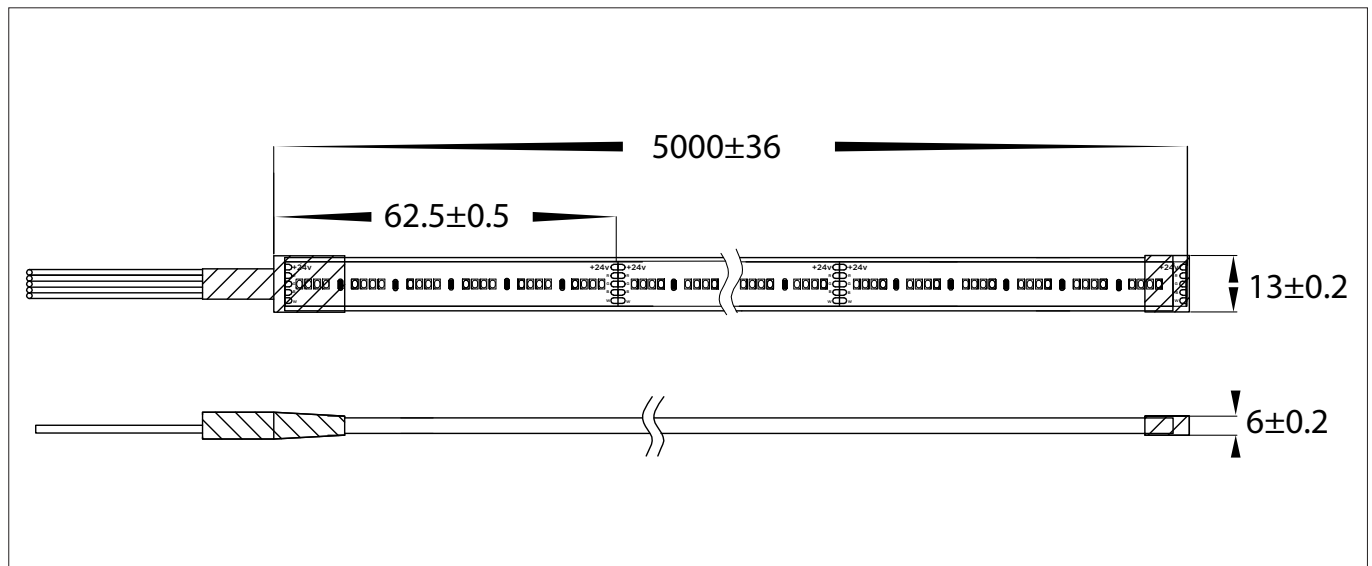
## PRODUCT DATA

16W RGBC + RGBW IP67 LED STRIP	
LED CHIP TYPE	2216
SIZE	13MM X 6MM
PCB	3OZ
LED CHIPS / METRE	384 LED
CUT INCREMENTS	EVERY 62.5MM
COLOUR TEMP.	RGB + 5000K   RGB + 3000K
LUMEN OUTPUT	750LM   700LM
INPUT VOLTAGE	24V DC
WIRING	PARALLEL
MOUNTING	ALUMINIUM PROFILE OR HEAT SINK
MAXIMUM LENGTH	5,000MM
REQUIREMENTS	24V DC LED DRIVER + CONTROLLER
DIMMING	0-1/10V, DALI, DMX & RF
CRI	RA >90
BEAM ANGLE	120°
IP RATING	IP67

## PRODUCT ORDERING

384 LED STRIP			
	<b>HCP-3466150</b>	RGB + 5000K	750LM
	<b>HCP-3466151</b>	RGB + 3000K	700LM

## OTHER DATA



# 20W RGB+3000K & RGB+5000K IP20 LED STRIP



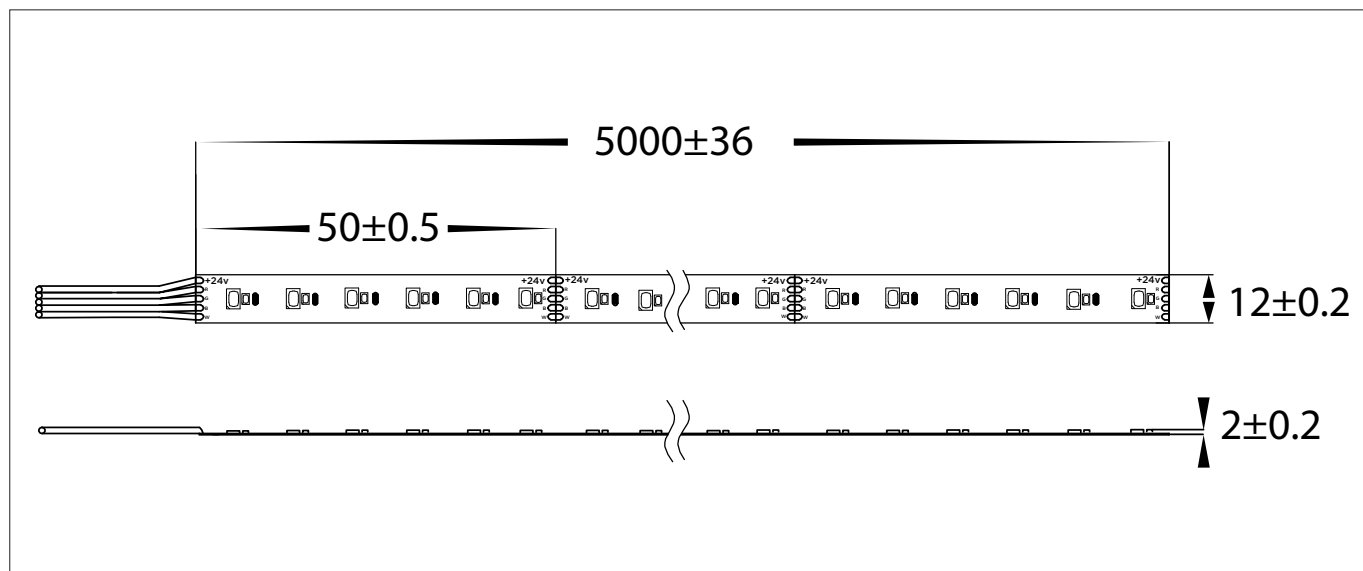
## PRODUCT DATA

20W RGBC + RGBW IP20 LED STRIP	
LED CHIP TYPE	2835 + 2216
SIZE	12MM X 2MM
PCB	3OZ
LED CHIPS / METRE	240
CUT INCREMENTS	50MM
COLOUR TEMP.	RGB + 5000K   RGB + 3000K
LUMEN OUTPUT	950LM   950LM
INPUT VOLTAGE	24V DC
WIRING	PARALLEL
MOUNTING	ALUMINIUM PROFILE OR HEAT SINK
MAXIMUM LENGTH	5,000MM
REQUIREMENTS	24V DC LED DRIVER + CONTROLLER
DIMMING	0-1/10V, DALI, DMX, RF & WIFI
CRI	RA>90
BEAM ANGLE	120°
IP RATING	IP20

## PRODUCT ORDERING

240 LED STRIP			
	<b>HCP-3426250</b>	RGB + 5000K	950LM
	<b>HCP-3426251</b>	RGB + 3000K	950LM

## OTHER DATA



# 20W RGB+3000K & RGB+5000K IP54 LED STRIP



12

LED STRIP

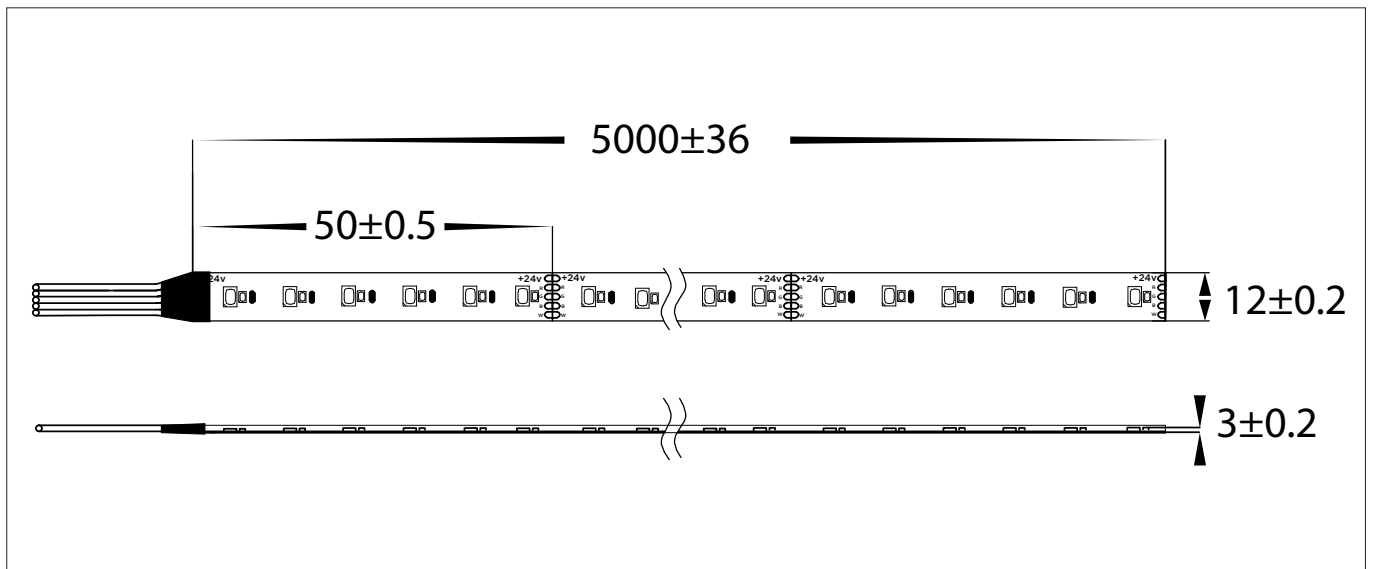
## PRODUCT DATA

20W RGBC + RGBW IP54 LED STRIP	
LED CHIP TYPE	2835 + 2216
SIZE	12MM X 3MM
PCB	30Z
LED CHIPS / METRE	240
CUT INCREMENTS	50MM
COLOUR TEMP.	RGB + 5000K   RGB + 3000K
LUMEN OUTPUT	950LM   950LM
INPUT VOLTAGE	24V DC
WIRING	PARALLEL
MOUNTING	ALUMINIUM PROFILE OR HEAT SINK
MAXIMUM LENGTH	5,000MM
REQUIREMENTS	24V DC LED DRIVER + CONTROLLER
DIMMING	0-1/10V, DALI, DMX, RF & WIFI
CRI	RA>90
BEAM ANGLE	120°
IP RATING	IP54

## PRODUCT ORDERING

240 LED STRIP			
	<b>HCP-3456250</b>	RGB + 5000K	950LM
	<b>HCP-3456251</b>	RGB + 3000K	950LM

## OTHER DATA



# 20W RGB+3000K & RGB+5000K IP67 LED STRIP



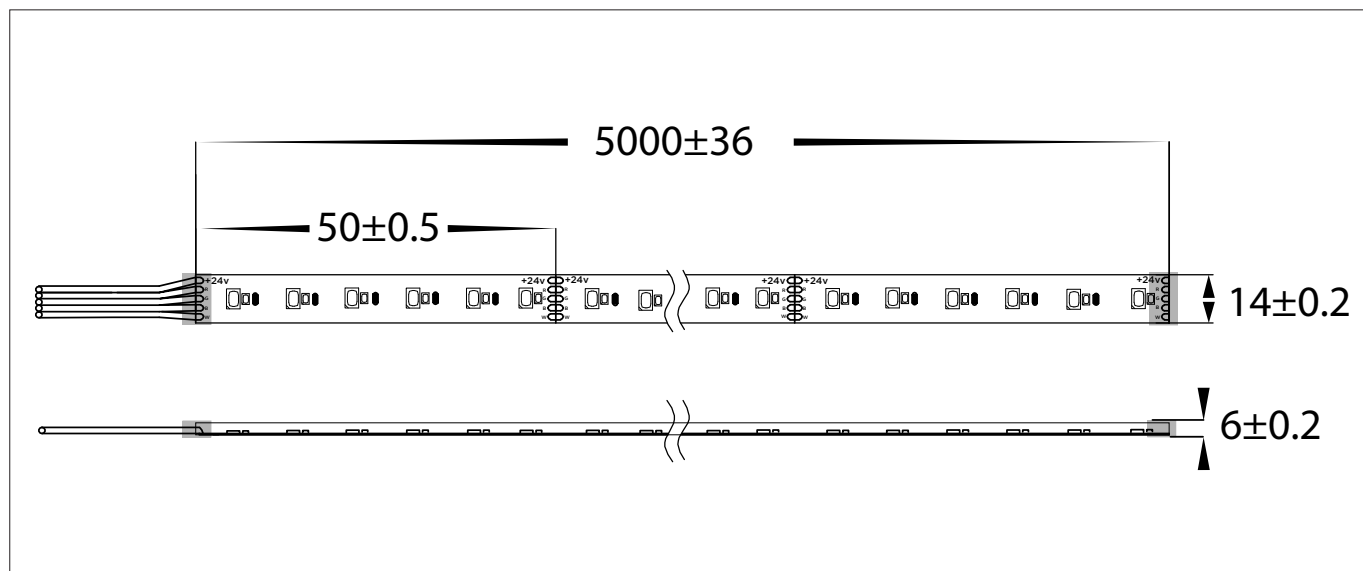
## PRODUCT DATA

20W RGBC + RGBW IP67 LED STRIP	
LED CHIP TYPE	2835 + 2216
SIZE	14MM X 6MM
PCB	3OZ
LED CHIPS / METRE	240
CUT INCREMENTS	50MM
COLOUR TEMP.	RGB + 5000K   RGB + 3000K
LUMEN OUTPUT	950LM   950LM
INPUT VOLTAGE	24V DC
WIRING	PARALLEL
MOUNTING	ALUMINIUM PROFILE OR HEAT SINK
MAXIMUM LENGTH	5,000MM
REQUIREMENTS	24V DC LED DRIVER + CONTROLLER
DIMMING	0-1/10V, DALI, DMX, RF & WIFI
CRI	RA>90
BEAM ANGLE	120°
IP RATING	IP67

## PRODUCT ORDERING

240 LED STRIP			
	<b>HCP-3466250</b>	RGB + 5000K	950LM
	<b>HCP-3466251</b>	RGB + 3000K	950LM

## OTHER DATA





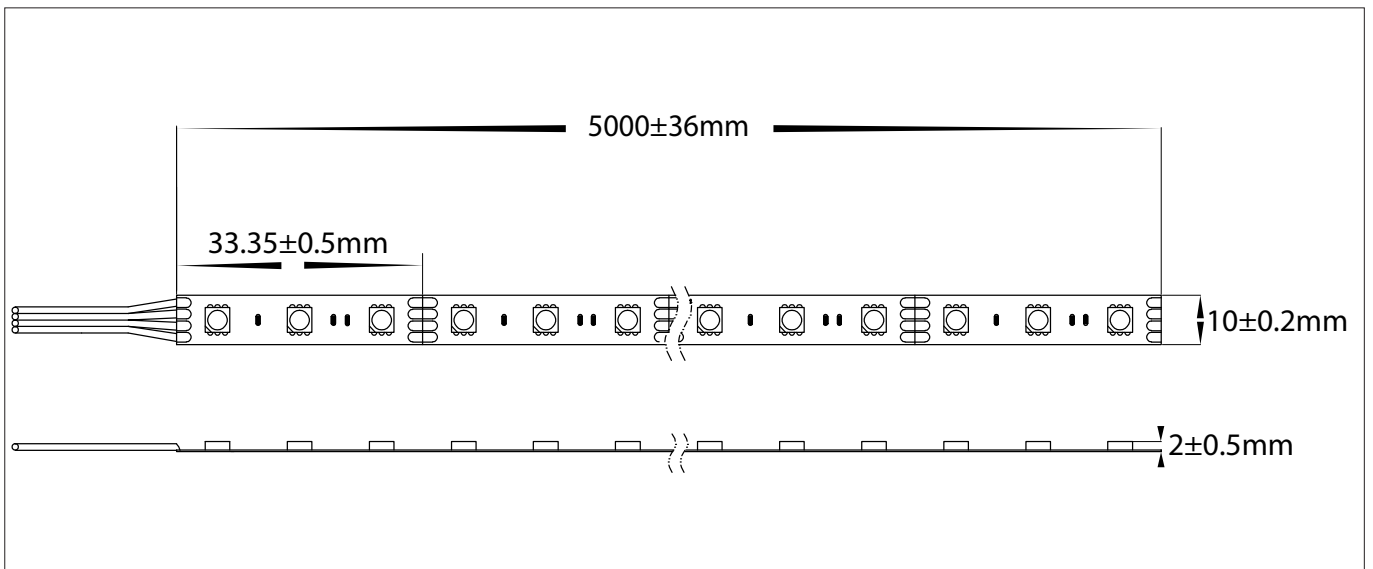
## PRODUCT DATA

12W RGB IP20 LED STRIP	
LED CHIP TYPE	2835
SIZE	10MM X 2MM
PCB	30Z
LED CHIPS / METRE	180
CUT INCREMENTS	33.35MM
COLOUR TEMP.	RGB
LUMEN OUTPUT	500LM
INPUT VOLTAGE	24V DC
WIRING	PARALLEL
MOUNTING	ALUMINIUM PROFILE OR HEAT SINK
MAXIMUM LENGTH	5,000MM
REQUIREMENTS	24V DC LED DRIVER + CONTROLLER
DIMMING	0-1/10V, DALI, DMX, RF & WIFI
CRI	RA>90
BEAM ANGLE	120°
IP RATING	IP20

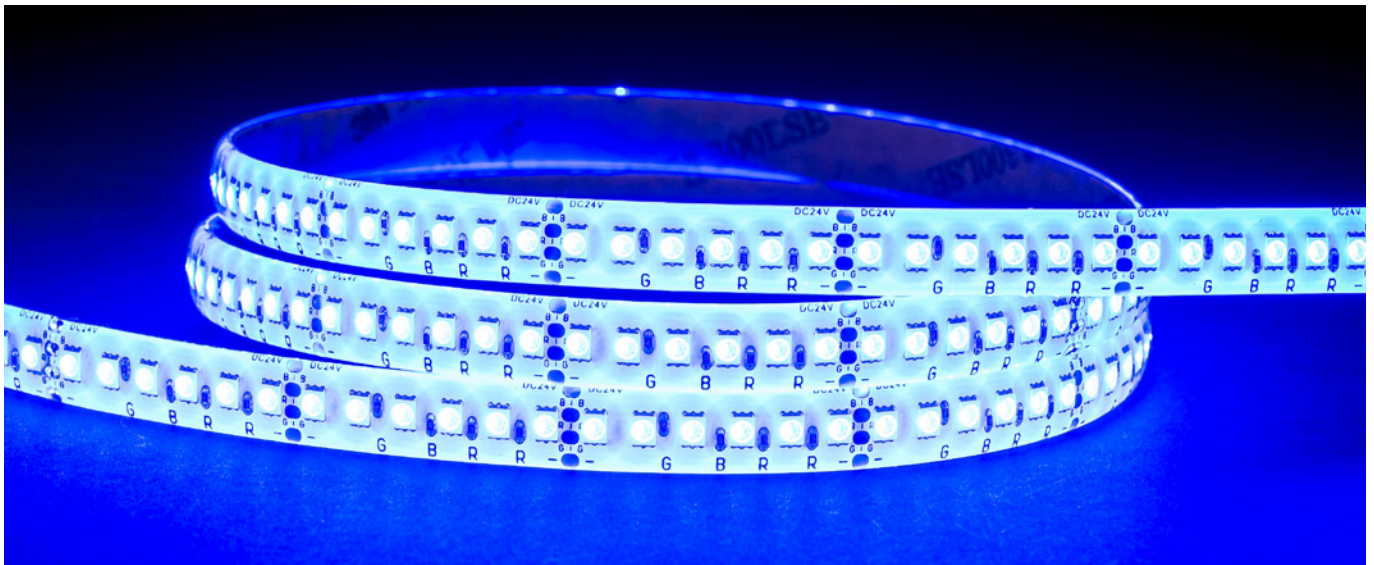
## PRODUCT ORDERING

180 LED STRIP			
	<b>HCP-3426350</b>	RGB	500LM

## OTHER DATA



# 12W RGB IP54 LED STRIP



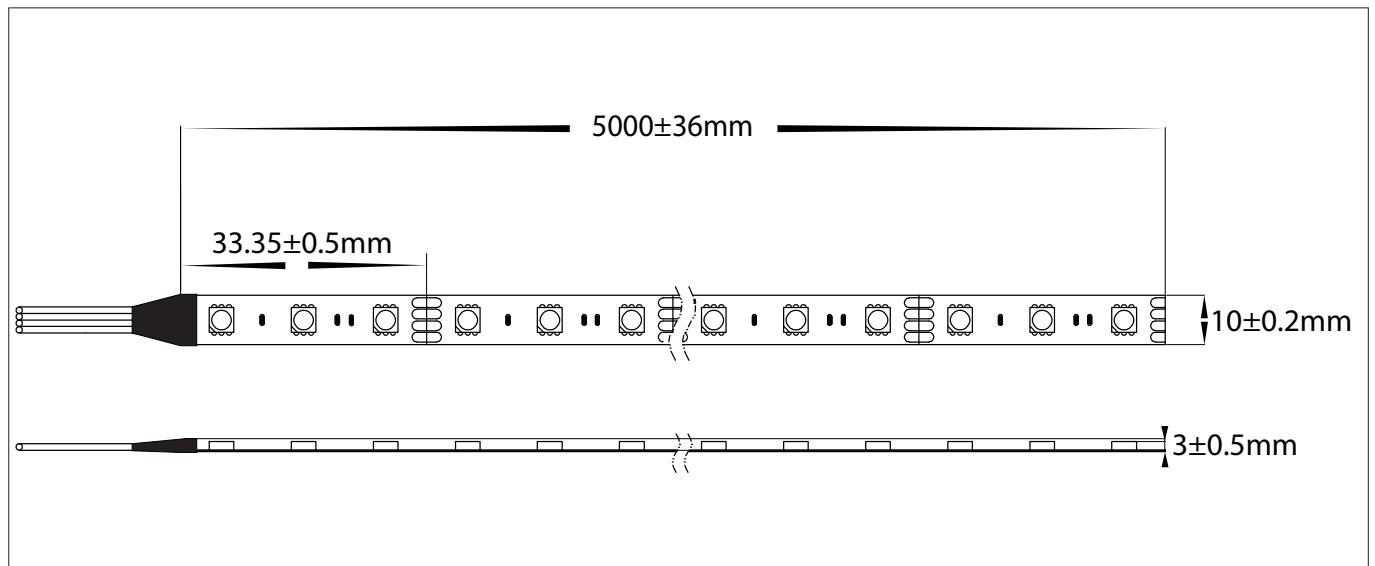
## PRODUCT DATA

12W RGB IP54 LED STRIP	
LED CHIP TYPE	2835
SIZE	10MM X 3MM
PCB	3OZ
LED CHIPS / METRE	180
CUT INCREMENTS	33.35MM
COLOUR TEMP.	RGB
LUMEN OUTPUT	500LM
INPUT VOLTAGE	24V DC
WIRING	PARALLEL
MOUNTING	ALUMINIUM PROFILE OR HEAT SINK
MAXIMUM LENGTH	5,000MM
REQUIREMENTS	24V DC LED DRIVER + CONTROLLER
DIMMING	0-1/10V, DALI, DMX, RF & WIFI
CRI	RA>90
BEAM ANGLE	120°
IP RATING	IP54

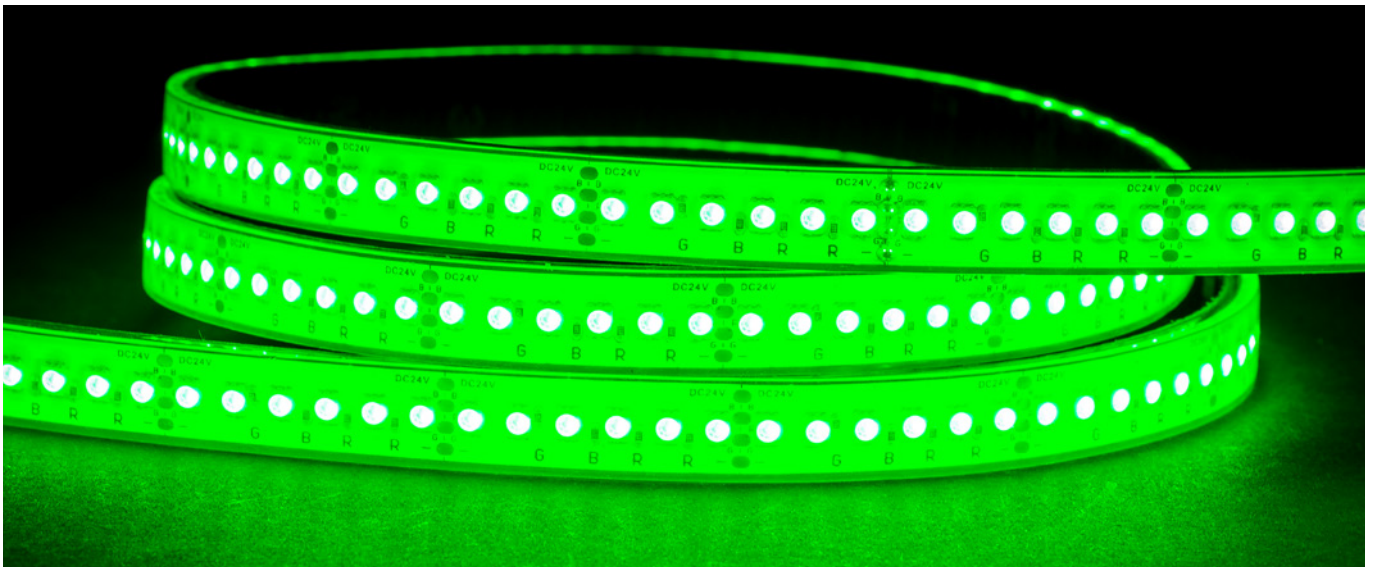
## PRODUCT ORDERING

180 LED STRIP			
	<b>HCP-3456350</b>	RGB	500LM

## OTHER DATA







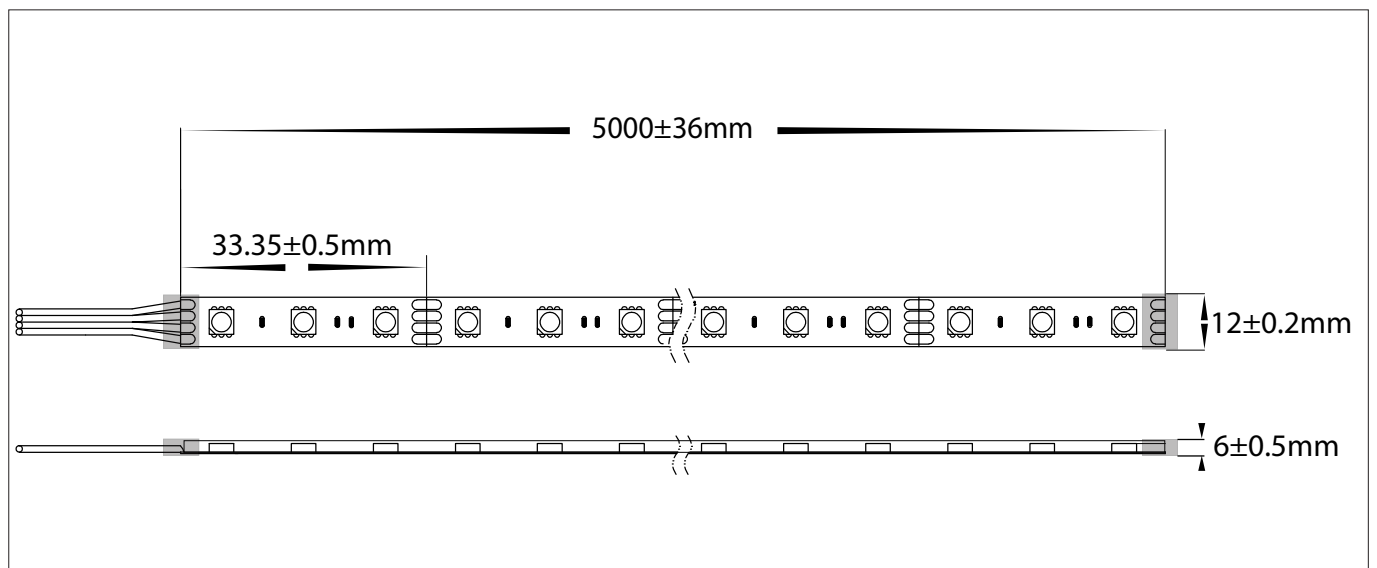
## PRODUCT DATA

12W RGB IP67 LED STRIP	
LED CHIP TYPE	2835
SIZE	12MM X 6MM
PCB	3OZ
LED CHIPS / METRE	180
CUT INCREMENTS	33.35MM
COLOUR TEMP.	RGB
LUMEN OUTPUT	500LM
INPUT VOLTAGE	24V DC
WIRING	PARALLEL
MOUNTING	ALUMINIUM PROFILE OR HEAT SINK
MAXIMUM LENGTH	5,000MM
REQUIREMENTS	24V DC LED DRIVER + CONTROLLER
DIMMING	0-1/10V, DALI, DMX, RF & WIFI
CRI	RA>90
BEAM ANGLE	120°
IP RATING	IP67

## PRODUCT ORDERING

180 LED STRIP			
	<b>HCP-3466350</b>	RGB	500LM

## OTHER DATA



# SQUARE IP67 HAVIFLEX LED STRIP



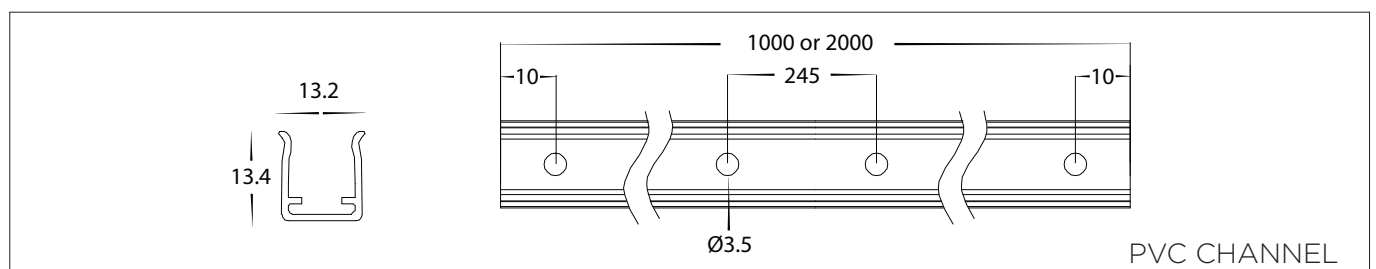
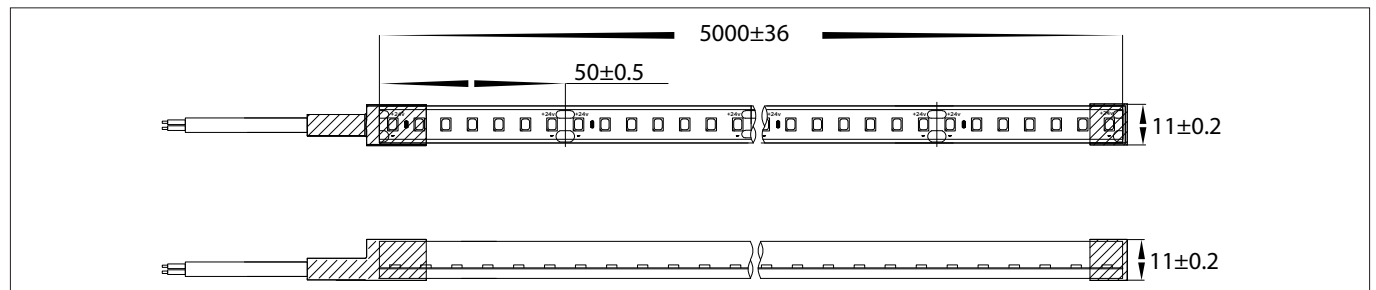
## PRODUCT DATA

14.4w IP67 HAVIFLEX LED STRIP	
LED CHIP TYPE	2835
SIZE	11MM X 11MM
PCB	3OZ
LED CHIPS / METRE	140 LED
CUT INCREMENTS	EVERY 50MM
COLOUR TEMP.	3000K   4000K   5000K
LUMEN OUTPUT	765LM   768LM   823LM
INPUT VOLTAGE	24V DC
WIRING	PARALLEL
MOUNTING	MOUNTING CLIPS (4 SUPPLIED PER METRE)
MAXIMUM LENGTH	5,000MM
REQUIREMENTS	24V DC LED DRIVER
DIMMING	0-1/10V, DALI, DMX, RF
CRI	RA >90
BEAM ANGLE	120°
IP RATING	IP67

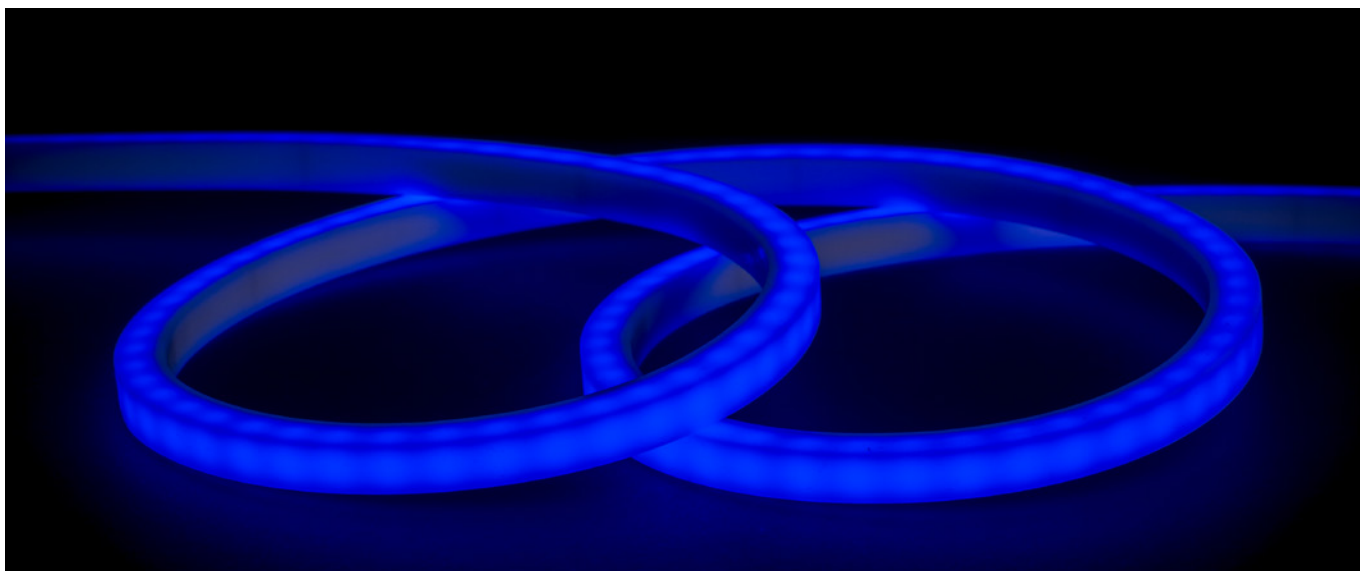
## PRODUCT ORDERING

HAVIFLEX STRIP			
	<b>HCP-3663143</b>	3000K	765LM
	<b>HCP-3663144</b>	4000K	768LM
	<b>HCP-3663145</b>	5000K	823LM
PVC CHANNEL			
	<b>HCP-NEON-PVCCHANNEL</b>	1 METRE	
	<b>HCP-NEON-PVCCHANNEL-2M</b>	2 METRE	

## OTHER DATA




# SQUARE RGB IP67 HAVIFLEX LED STRIP



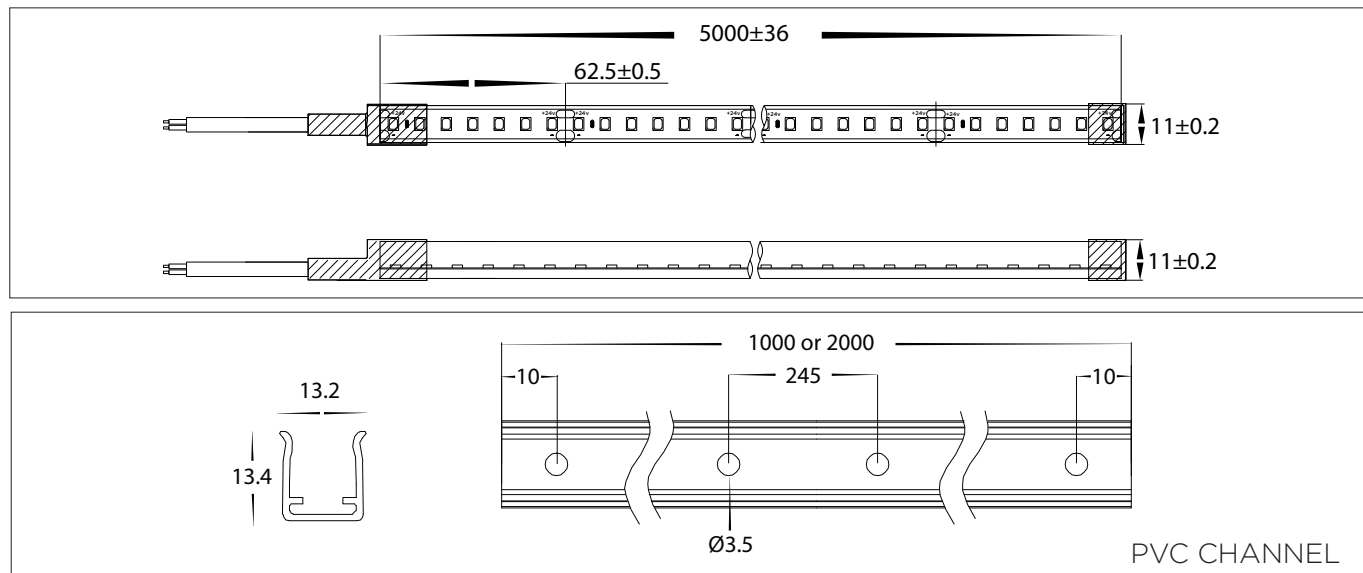
## PRODUCT DATA

14.4w IP67 HAVIFLEX LED STRIP	
LED CHIP TYPE	2216
SIZE	11MM X 11MM
PCB	30Z
LED CHIPS / METRE	336 LED
CUT INCREMENTS	EVERY 62.5MM
COLOUR TEMP.	RGB
LUMEN OUTPUT	765LM
INPUT VOLTAGE	24V DC
WIRING	PARALLEL
MOUNTING	MOUNTING CLIPS (4 SUPPLIED PER METRE)
MAXIMUM LENGTH	5,000MM
REQUIREMENTS	24V DC LED + CONTROLLER
DIMMING	0-1/10V, DALI, DMX, RF
CRI	RA >90
BEAM ANGLE	120°
IP RATING	IP67

## PRODUCT ORDERING

HAVIFLEX STRIP			
	<b>HCP-3663140</b>	RGB	765LM
PVC CHANNEL			
	<b>HCP-NEON-PVCCHANNEL</b>		1 METRE
	<b>HCP-NEON-PVCCHANNEL-2M</b>		2 METRE

## OTHER DATA



# CURVED IP67 HAVIFLEX LED STRIP



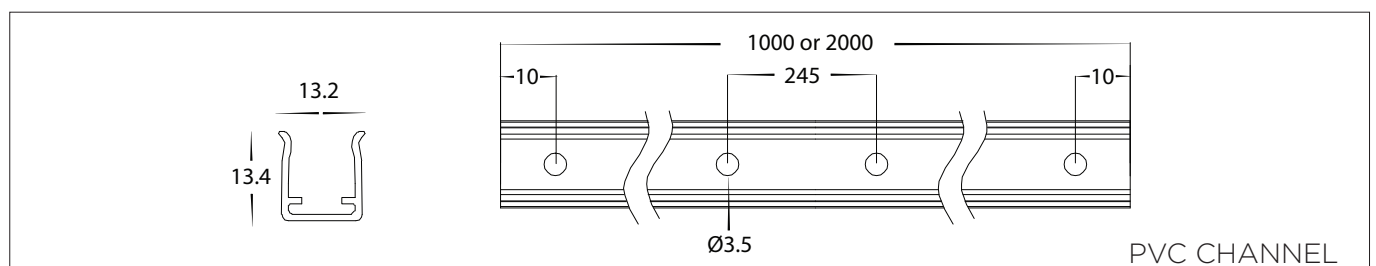
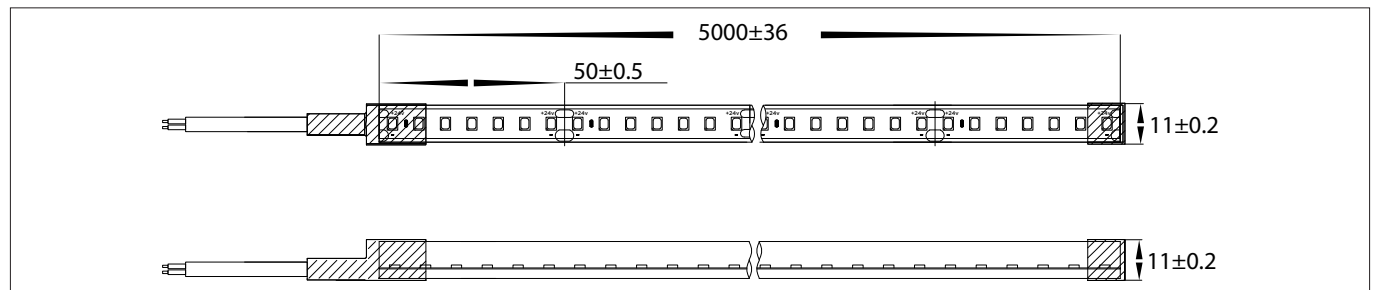
## PRODUCT DATA

14.4w IP67 HAVIFLEX LED STRIP	
LED CHIP TYPE	2835
SIZE	11MM X 11MM
PCB	3OZ
LED CHIPS / METRE	140 LED
CUT INCREMENTS	EVERY 50MM
COLOUR TEMP.	3000K   4000K   5000K
LUMEN OUTPUT	765LM   768LM   823LM
INPUT VOLTAGE	24V DC
WIRING	PARALLEL
MOUNTING	MOUNTING CLIPS (4 SUPPLIED PER METRE)
MAXIMUM LENGTH	5,000MM
REQUIREMENTS	24V DC LED DRIVER
DIMMING	0-1/10V, DALI, DMX, RF
CRI	RA >90
BEAM ANGLE	120°
IP RATING	IP67

## PRODUCT ORDERING

HAVIFLEX STRIP			
	<b>HCP-3763143</b>	3000K	765LM
	<b>HCP-3763144</b>	4000K	768LM
	<b>HCP-3763145</b>	5000K	823LM
PVC CHANNEL			
	<b>HCP-NEON-PVCCHANNEL</b>	1 METRE	
	<b>HCP-NEON-PVCCHANNEL-2M</b>	2 METRE	

## OTHER DATA



# CURVED RGB IP67 HAVIFLEX LED STRIP

12

LED STRIP



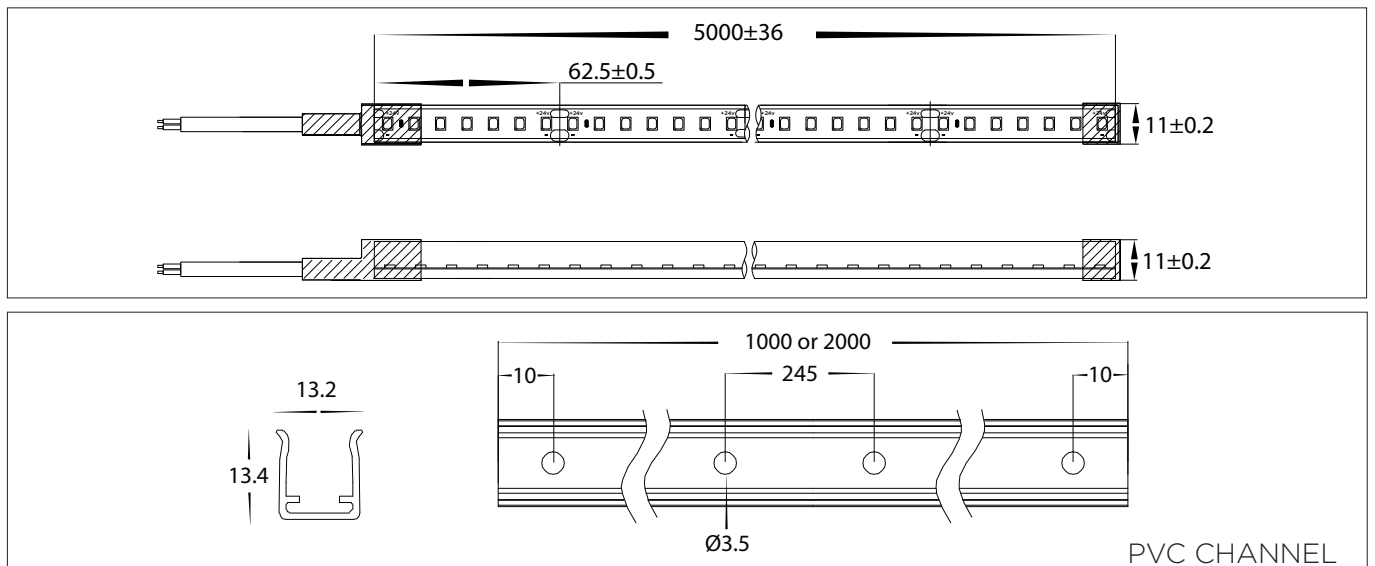
## PRODUCT DATA

14.4w IP67 HAVIFLEX LED STRIP	
LED CHIP TYPE	2216
SIZE	11MM X 11MM
PCB	30Z
LED CHIPS / METRE	336 LED
CUT INCREMENTS	EVERY 62MM
COLOUR TEMP.	RGB
LUMEN OUTPUT	765LM
INPUT VOLTAGE	24V DC
WIRING	PARALLEL
MOUNTING	MOUNTING CLIPS (4 SUPPLIED PER METRE)
MAXIMUM LENGTH	5,000MM
REQUIREMENTS	24V DC LED + CONTROLLER
DIMMING	0-1/10V, DALI, DMX, RF
CRI	RA >90
BEAM ANGLE	120°
IP RATING	IP67

## PRODUCT ORDERING

HAVIFLEX STRIP			
	<b>HCP-3763140</b>	RGB	765LM
PVC CHANNEL			
	<b>HCP-NEON-PVCCHANNEL</b>		1 METRE
	<b>HCP-NEON-PVCCHANNEL-2M</b>		2 METRE

## OTHER DATA







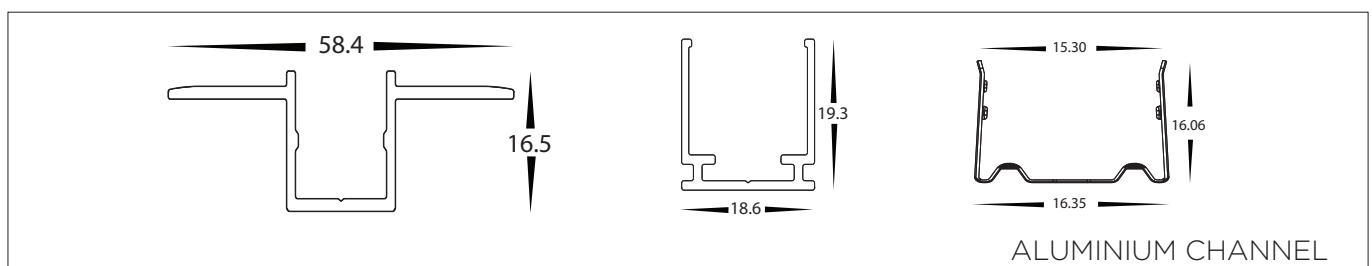
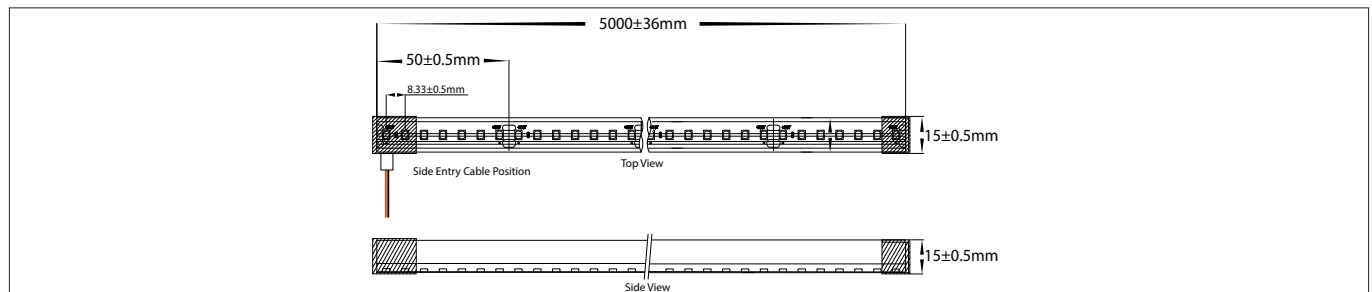
## PRODUCT DATA

8W HAVIFLEX LED STRIP	
LED CHIP TYPE	2835
SIZE	15MM X 15MM
PCB	3OZ
LED CHIPS / METRE	120 LED
CUT INCREMENTS	EVERY 50MM
COLOUR TEMP	2700K   3000K   4000K   5000K
LUMEN OUTPUT	535LM   560LM   580LM   595LM
INPUT VOLTAGE	24V DC
WIRING	PARALLEL
MOUNTING	MOUNTING CLIPS OR PROFILE
MAXIMUM LENGTH	5,000MM
REQUIREMENTS	24V DC LED DRIVER
DIMMING	TRIAC, 0-1/10V, DALI, DMX, RF, WIFI
CRI	RA>90
BEAM ANGLE	120°
IP RATING	IP67

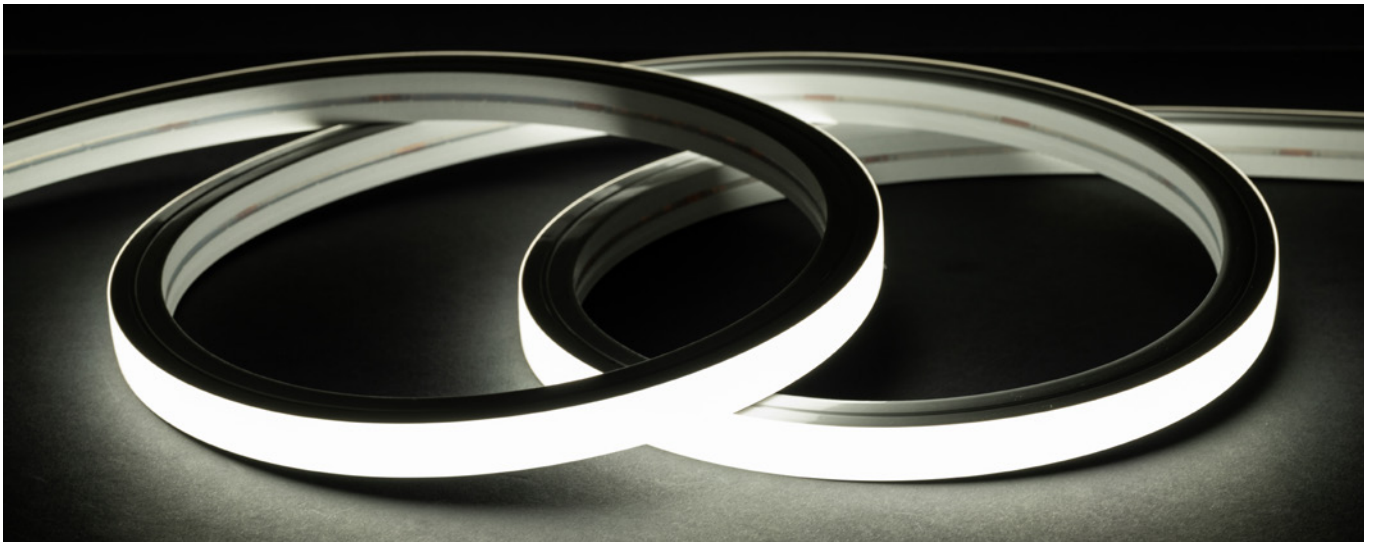
## PRODUCT ORDERING

HAVIFLEX STRIP			
	<b>HCP-3764082</b>	2700K	535LM
	<b>HCP-3764083</b>	3000K	560LM
	<b>HCP-3764084</b>	4000K	580LM
	<b>HCP-3764085</b>	5000K	595LM
ACCESSORIES			
	<b>HCP-3764-AC</b> (1000MM LENGTHS)	ALUMINIUM CHANNEL	
	<b>HCP-3764-RAC</b> (1000MM LENGTHS)	RECESSED ALUMINIUM CHANNEL	
	<b>HCP-3764-MC</b>	MOUNTING CLIPS	
	<b>HCP-3764-BC</b> (2x 500MM LENGTHS)	BENDABLE CHANNEL	

## OTHER DATA



# 15W RGBCW TOP BEND IP67 HAVIFLEX LED STRIP



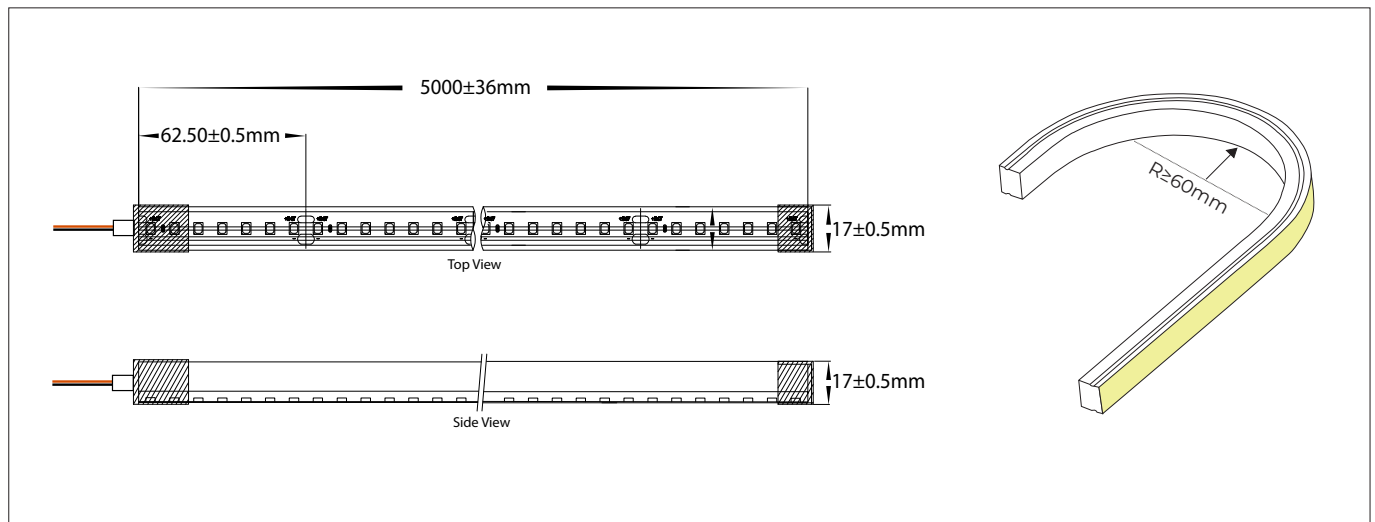
## PRODUCT DATA

15W RGBCW TOP BEND IP67 HAVIFLEX LED STRIP	
LED CHIP TYPE	5050
SIZE	17MM X 17MM
PCB	3OZ
LED CHIPS / METRE	96
CUT INCREMENTS	62.5MM
COLOUR TEMP.	RGBCW (RGB + 5500K + 3000K)
LUMEN OUTPUT	200LM - 3000K   250LM - 5500K
INPUT VOLTAGE	24V DC
WIRING	PARALLEL
MOUNTING	ALUMINIUM CHANNEL OR MOUNTING CLIPS
MAXIMUM LENGTH	5,000MM
REQUIREMENTS	24V DC LED DRIVER + RGBCW CONTROLLER
DIMMING	0-1/10V, DALI, DMX, RF & WIFI
CRI	RA>90
BEAM ANGLE	120°
IP RATING	IP67

## PRODUCT ORDERING

HAVIFLEX STRIP					
	<b>HCP-3761500</b>	RGBCW (RGB + 5500K + 3000K)	200LM - 3000K		
			250LM - 5500K		
			ACCESSORIES		
				<b>HCP-3761500-AC</b>	ALUMINIUM CHANNEL (1000MM LENGTHS)
				<b>HCP-3761500-BC</b>	BENDABLE CHANNEL (1000MM LENGTHS)

## OTHER DATA





# 15W RGBCW SIDE BEND IP67 HAVIFLEX LED STRIP



12

LED STRIP

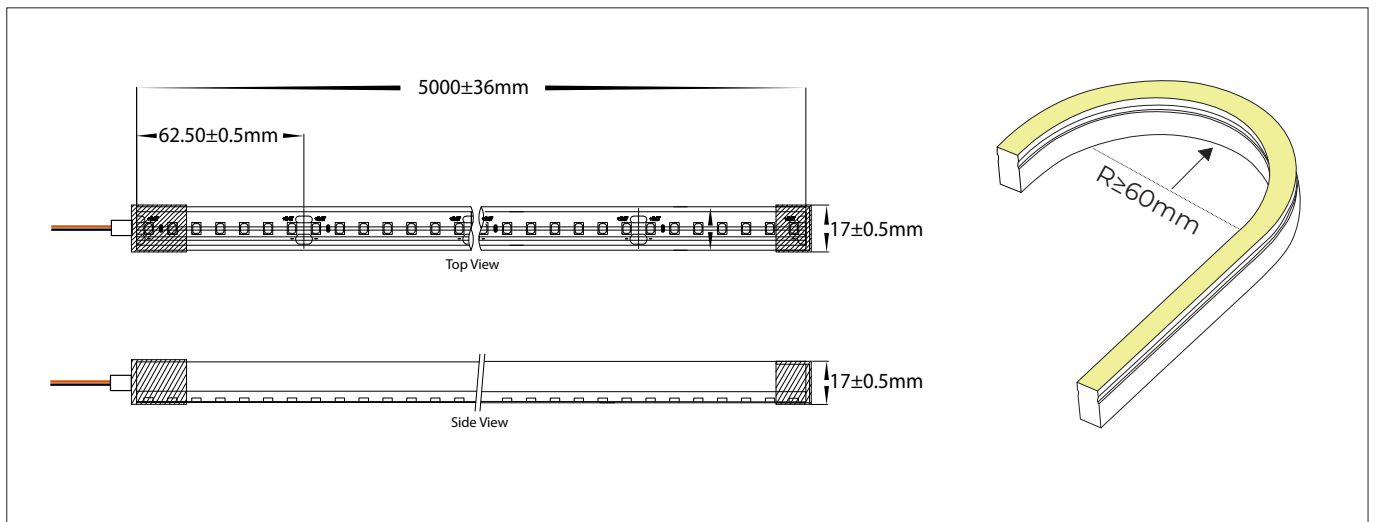
## PRODUCT DATA

15W RGBCW SIDE BEND IP67 HAVIFLEX LED STRIP	
LED CHIP TYPE	5050
SIZE	17MM X 17MM
PCB	3OZ
LED CHIPS / METRE	96
CUT INCREMENTS	62.5MM
COLOUR TEMP.	RGBCW (RGB + 5500K + 3000K)
LUMEN OUTPUT	200LM - 3000K   250LM - 5500K
INPUT VOLTAGE	24V DC
WIRING	PARALLEL
MOUNTING	ALUMINIUM CHANNEL OR MOUNTING CLIPS
MAXIMUM LENGTH	5,000MM
REQUIREMENTS	24V DC LED DRIVER + RGBCW CONTROLLER
DIMMING	0-1/10V, DALI, DMX, RF & WIFI
CRI	RA>90
BEAM ANGLE	120°
IP RATING	IP67

## PRODUCT ORDERING

HAVIFLEX STRIP			
	<b>HCP-3771500</b>	RGBCW (RGB + 5500K + 3000K)	200LM - 3000K 250LM - 5500K
ACCESSORIES			
	<b>HCP-3771500-AC</b>	ALUMINIUM CHANNEL (1000MM LENGTHS)	
	<b>HCP-3771500-BC</b>	BENDABLE CHANNEL (1000MM LENGTHS)	

## OTHER DATA



# 18W IP67 WALL WASHER LED STRIP



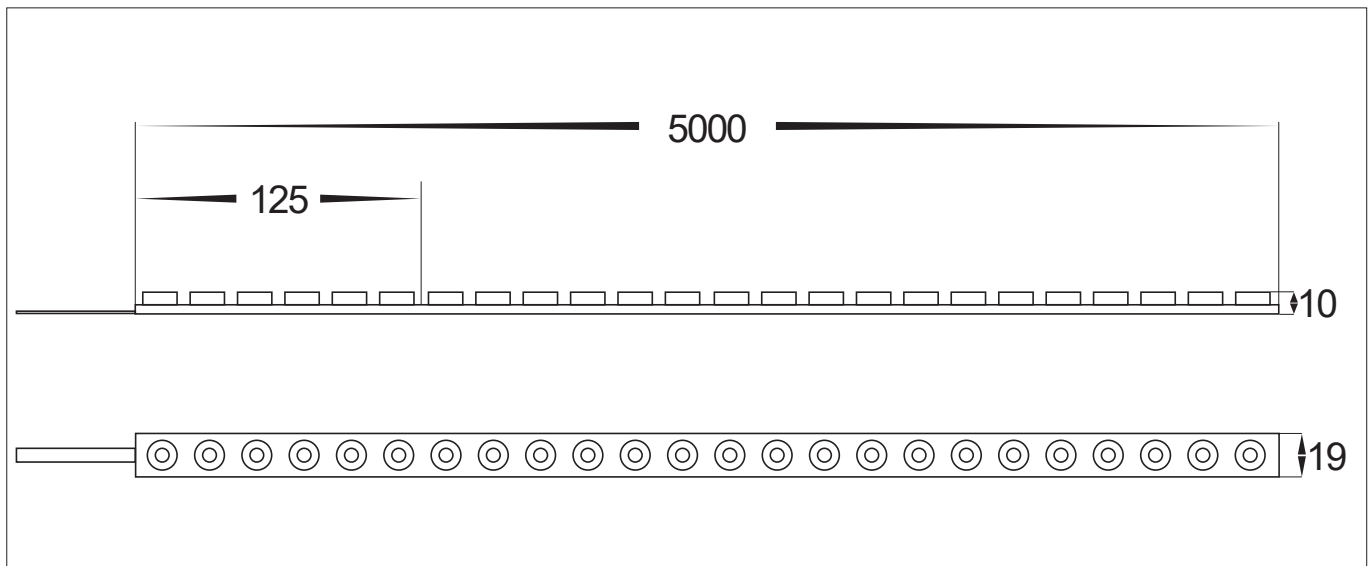
## PRODUCT DATA

18W IP67 WALL WASHER LED STRIP	
LED CHIP TYPE	2835
SIZE	19MM X 10MM
PCB	3OZ
LED CHIPS / METRE	48 LED
CUT INCREMENTS	EVERY 125MM
COLOUR TEMP	2700K   3000K   4000K   6500K
LUMEN OUTPUT	1265LM   1385LM   1430LM   1459LM
INPUT VOLTAGE	24V DC
WIRING	PARALLEL
MOUNTING	ALUMINIUM HEAT SINK
MAXIMUM LENGTH	5,000MM
REQUIREMENTS	24V DC LED DRIVER
DIMMING	TRIAC, 0-1/10V, DALI, DMX, RF, WIFI
CRI	RA>90
BEAM ANGLE	45°
IP RATING	IP67

## PRODUCT ORDERING

48LED WALL WASHER LED STRIP			
	<b>HCP-3564182</b>	2700K	1265LM
	<b>HCP-3564183</b>	3000K	1385LM
	<b>HCP-3564184</b>	4000K	1430LM
	<b>HCP-3564186</b>	6500K	1459LM

## OTHER DATA



# 8W IP67 WALL WASHER LED STRIP

12


LED STRIP



## PRODUCT DATA

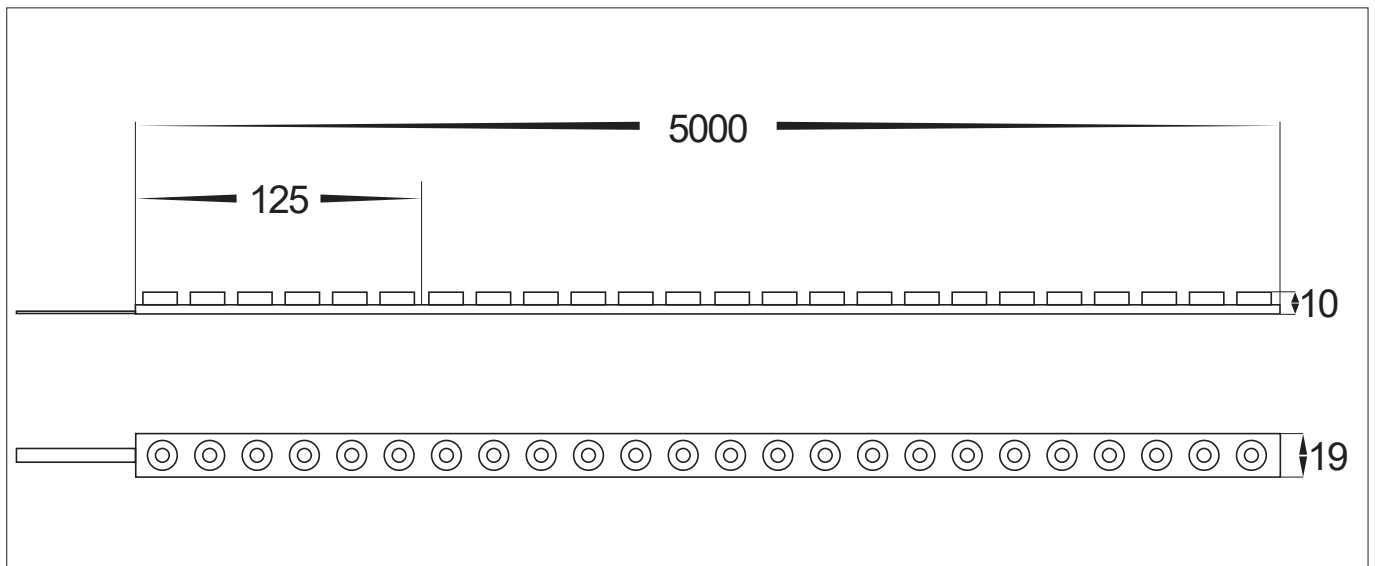
8W IP67 WALL WASHER LED STRIP	
LED CHIP TYPE	5050
SIZE	19MM X 10MM
PCB	3OZ
LED CHIPS / METRE	48 LED
CUT INCREMENTS	EVERY 125MM
COLOUR TEMP	RGBC   RGBW
LUMEN OUTPUT	318LM   324LM
INPUT VOLTAGE	24V DC
WIRING	PARALLEL
MOUNTING	ALUMINIUM HEAT SINK
MAXIMUM LENGTH	5,000MM
REQUIREMENTS	24V DC LED DRIVER + CONTROLLER
DIMMING	0-1/10V, DALI, DMX, RF, WIFI
CRI	RA>90
BEAM ANGLE	45°
IP RATING	IP67

## PRODUCT ORDERING

48LED WALL WASHER LED STRIP			
	<b>HCP-3564080</b>	RGBC (RGB + 6500K)	318LM
	<b>HCP-3564081</b>	RGBW (RGB + 3000K)	324LM



## OTHER DATA



# 14.4W RGB CHASING IP20 LED STRIP



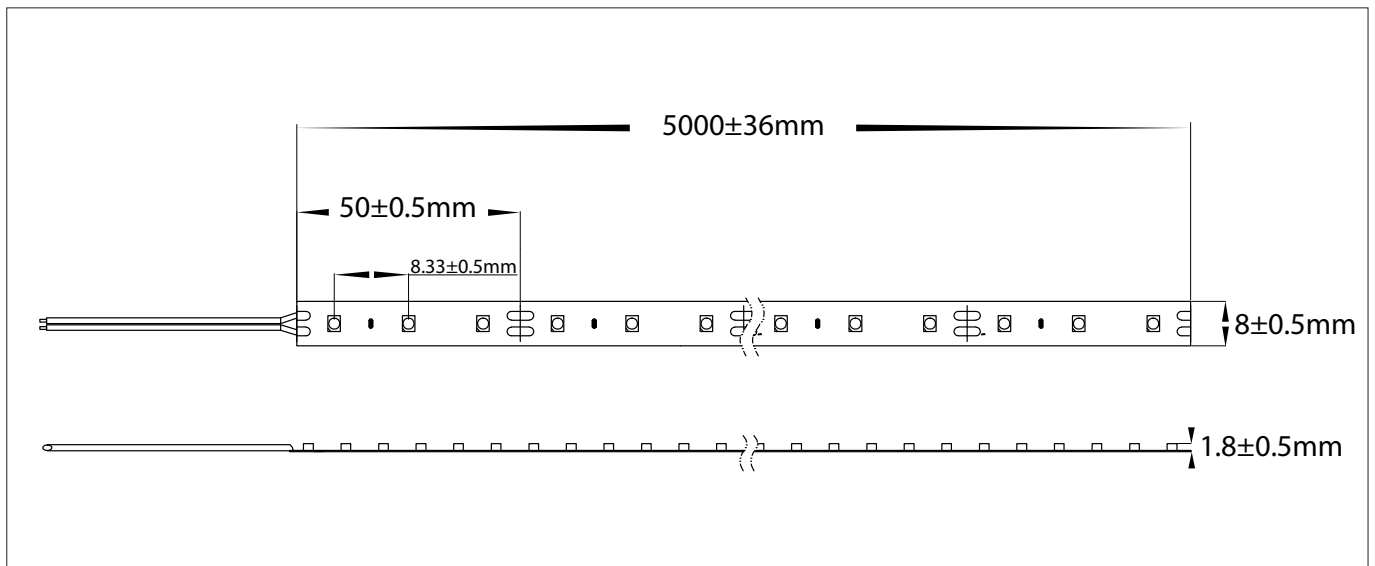
## PRODUCT DATA

14.4W RGB CHASING IP20 LED STRIP	
LED CHIP TYPE	2835
SIZE	8MM X 2MM
PCB	3OZ
LED CHIPS / METRE	120
CUT INCREMENTS	50MM
COLOUR TEMP.	RGB
LUMEN OUTPUT	525LM
INPUT VOLTAGE	24V DC
WIRING	PARALLEL
MOUNTING	ALUMINIUM PROFILE OR HEAT SINK
MAXIMUM LENGTH	5,000MM
REQUIREMENTS	24V DC LED DRIVER + RGB SPI CONTROLLER
DIMMING	RF
CRI	RA>90
BEAM ANGLE	120°
IP RATING	IP20

## PRODUCT ORDERING

120 LED CHASING LED STRIP			
	<b>HCP-3820140</b>	RGB	525LM

## OTHER DATA



# 9.6W CHASING IP20 LED STRIP



12  
LED STRIP

## PRODUCT DATA

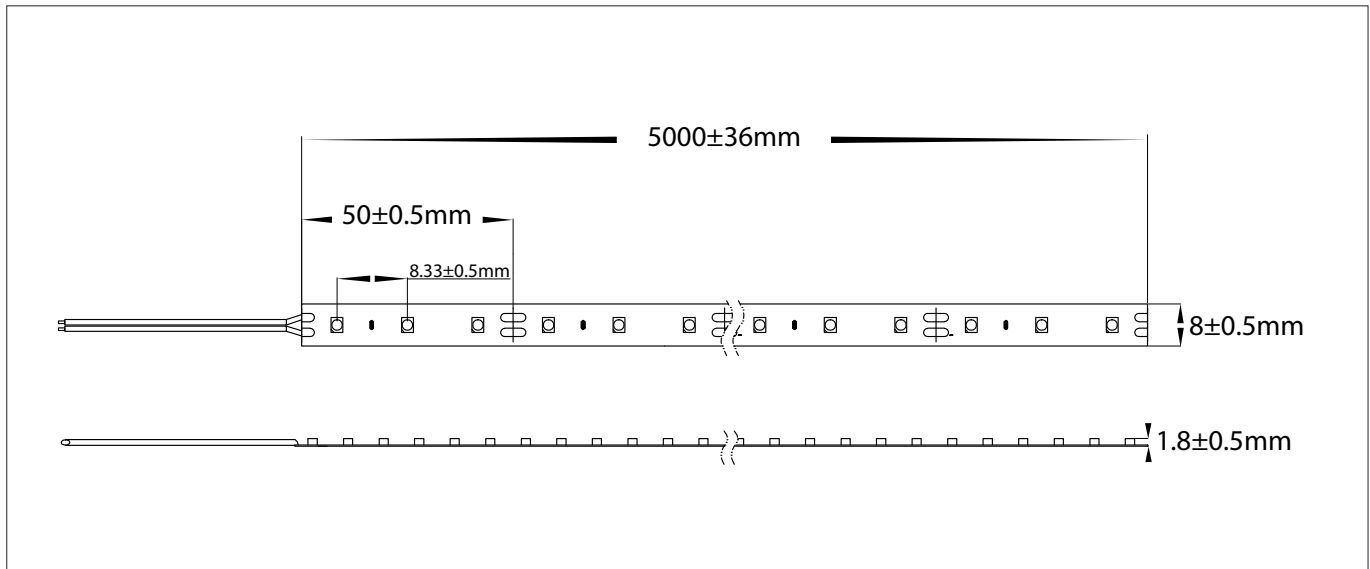
9.6W CHASING IP20 LED STRIP	
LED CHIP TYPE	2835
SIZE	8MM X 2MM
PCB	30Z
LED CHIPS / METRE	120
CUT INCREMENTS	50MM
COLOUR TEMP.	3000K   4000K
LUMEN OUTPUT	950LM   980LM
INPUT VOLTAGE	24V DC
WIRING	PARALLEL
MOUNTING	ALUMINIUM PROFILE OR HEAT SINK
MAXIMUM LENGTH	5,000MM
REQUIREMENTS	24V DC LED DRIVER + SPI CONTROLLER
DIMMING	RF
CRI	RA>90
BEAM ANGLE	120°
IP RATING	IP20

## PRODUCT ORDERING

120 LED CHASING LED STRIP			
	<b>HCP-3820963</b>	3000K	950LM
	<b>HCP-3820964</b>	4000K	980LM



## OTHER DATA



# 5W IP65 240V LED STRIP



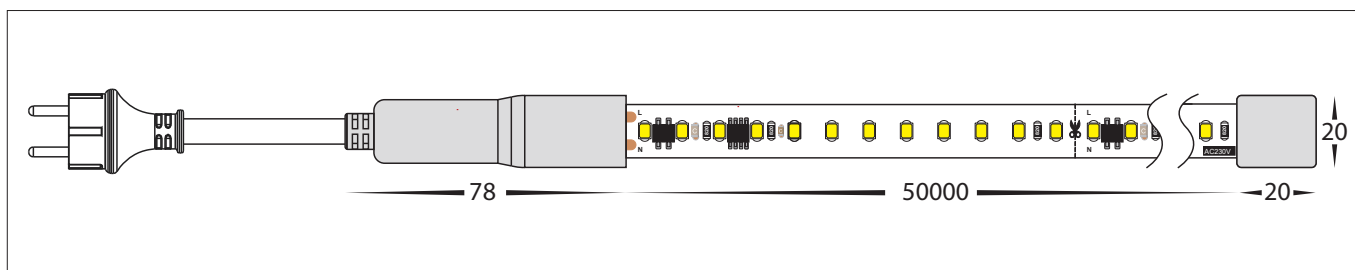
## PRODUCT DATA

5W IP65 240V LED STRIP	
LED CHIP TYPE	2835
SIZE	20MM X 11MM
PCB	3OZ
LED CHIPS / METRE	240
CUT INCREMENTS	100MM
COLOUR TEMP.	3000K   4000K   6000K
LUMEN OUTPUT	480LM   490LM   500LM
INPUT VOLTAGE	240V AC
MOUNTING	MOUNTING CLIPS OR PC CHANNEL
MAXIMUM LENGTH	50000MM
DIMMING	TRIAC
CRI	RA>90
BEAM ANGLE	120°
IP RATING	IP65

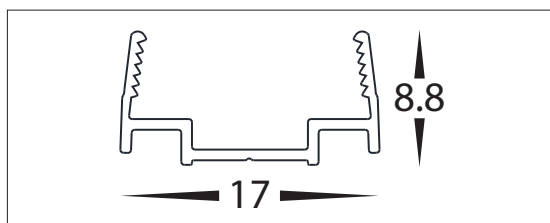
## PRODUCT ORDERING

240 LED STRIP			
	<b>HCP-3865053</b>	3000K	480LM
	<b>HCP-3865054</b>	4000K	490LM
	<b>HCP-3865056</b>	6000K	500LM
ACCESSORIES			
	<b>HCP-3865-CHANNEL</b>	CHANNEL TO SUIT 1000MM LENGTHS ONLY	
	<b>HCP-3865-SJ</b>	STRAIGHT JOINER	
	<b>HCP-3865-LC</b>	L SHAPE CONNECTOR	
	<b>HCP-3865-JC</b>	JOINING CABLE - CABLE LENGTH 150MM	
	<b>HCP-3865-PC</b>	POWER CONNECTOR	

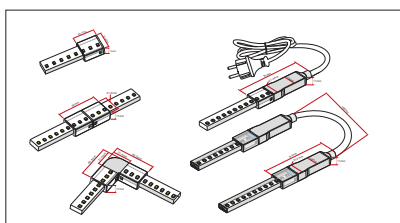
## OTHER DATA



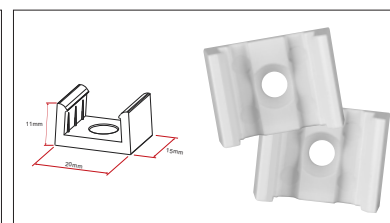
## PC CHANNEL



## CONNECTORS AND CABLE



## MOUNTING CLIPS





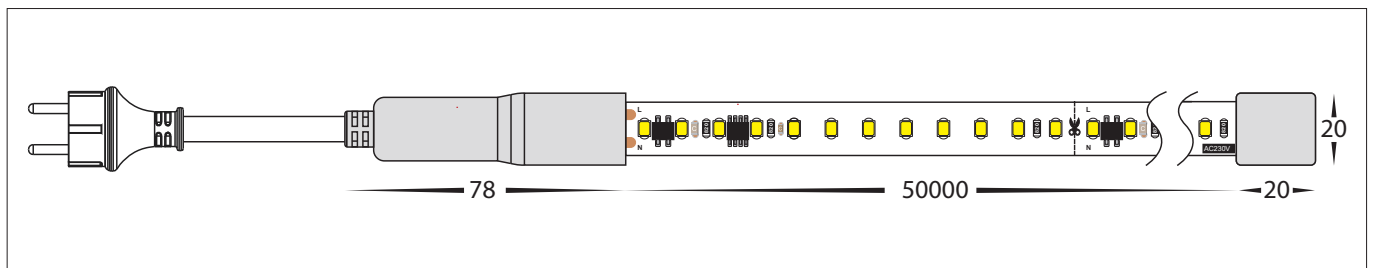
## PRODUCT DATA

12W IP65 240V LED STRIP	
LED CHIP TYPE	2835
SIZE	20MM X 11MM
PCB	3OZ
LED CHIPS / METRE	240
CUT INCREMENTS	100MM
COLOUR TEMP.	3000K   4000K   6000K
LUMEN OUTPUT	1000LM   1290LM   1160LM
INPUT VOLTAGE	240V AC
MOUNTING	MOUNTING CLIPS OR PC CHANNEL
MAXIMUM LENGTH	50000MM
DIMMING	TRIAC
CRI	RA>90
BEAM ANGLE	150°
IP RATING	IP65

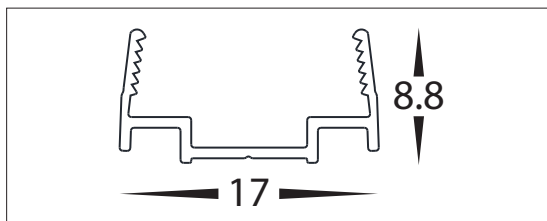
## PRODUCT ORDERING

240 LED STRIP			
	<b>HCP-3865123</b>	3000K	1000LM
	<b>HCP-3865124</b>	4000K	1290LM
	<b>HCP-3865126</b>	6000K	1160LM
ACCESSORIES			
	<b>HCP-3865-CHANNEL</b>	CHANNEL TO SUIT 1000MM LENGTHS ONLY	
	<b>HCP-3865-SJ</b>	STRAIGHT JOINER	
	<b>HCP-3865-LC</b>	L SHAPE CONNECTOR	
	<b>HCP-3865-JC</b>	JOINING CABLE - CABLE LENGTH 150MM	
	<b>HCP-3865-PC</b>	POWER CONNECTOR	

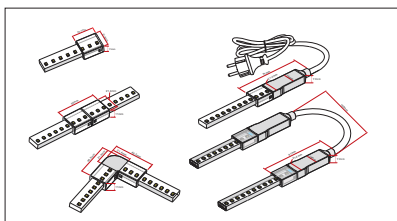
## OTHER DATA



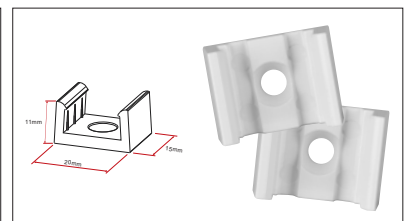
## PC CHANNEL



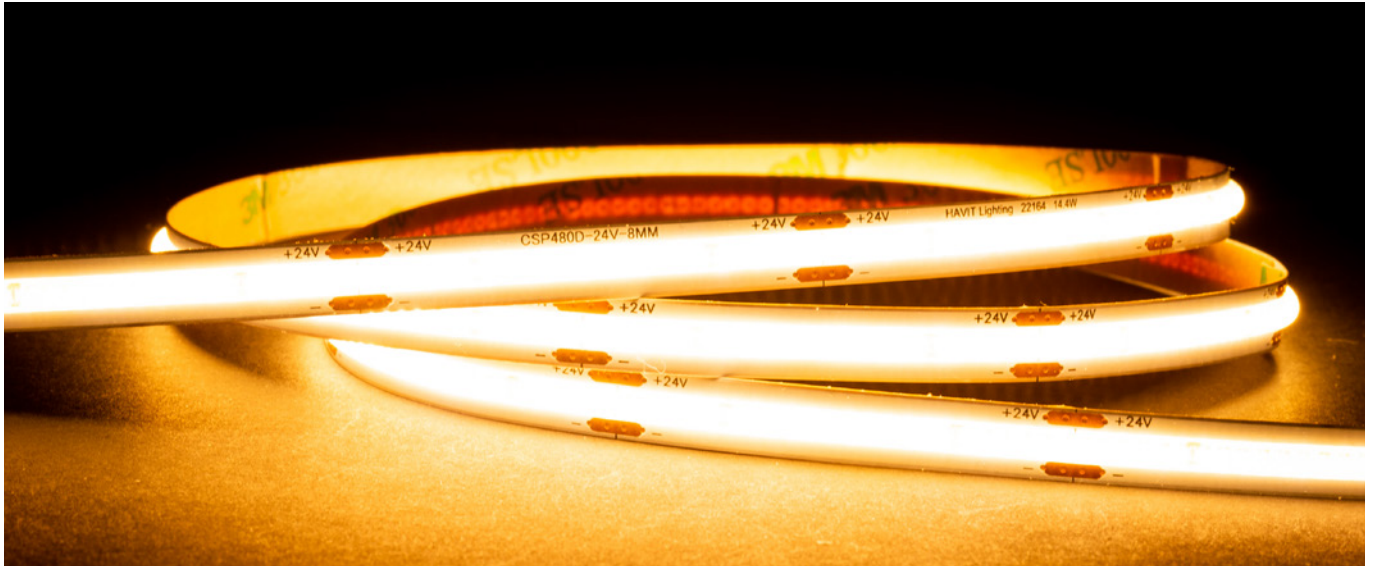
## CONNECTORS AND CABLE



## MOUNTING CLIPS



# 4.8W CSP IP20 LED STRIP



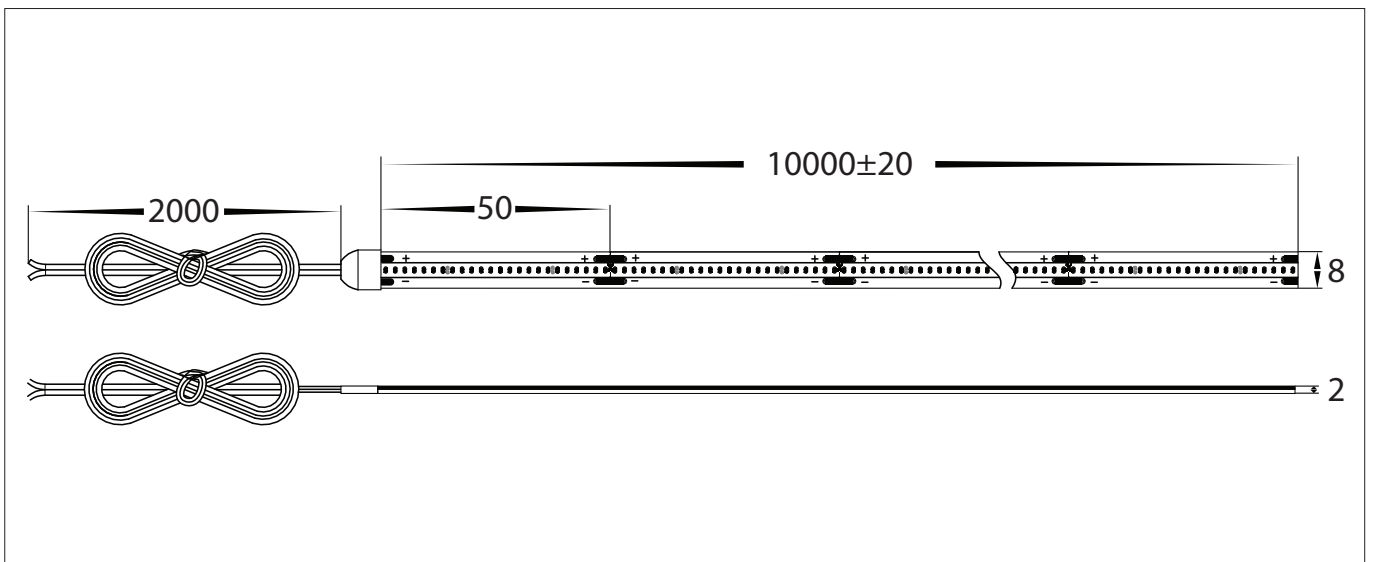
## PRODUCT DATA

4.8W CSP IP20 LED STRIP	
LED CHIP TYPE	CSP
SIZE	8MM X 2MM
PCB	3OZ
LED CHIPS / METRE	480
CUT INCREMENTS	50MM
COLOUR TEMP.	2700K   3000K   4000K   5000K
LUMEN OUTPUT	360LM   380LM   382LM   363LM
INPUT VOLTAGE	24V DC
WIRING	PARALLEL
MOUNTING	ALUMINIUM PROFILE OR HEAT SINK
MAXIMUM LENGTH	10,000MM
REQUIREMENTS	24V DC LED DRIVER
DIMMING	0-1/10V, DALI, DMX, RF & WIFI
CRI	RA>90
BEAM ANGLE	120°
IP RATING	IP20

## PRODUCT ORDERING

480 LED STRIP			
	<b>HCP-3925482</b>	2700K	360LM
	<b>HCP-3925483</b>	3000K	380LM
	<b>HCP-3925484</b>	4000K	382LM
	<b>HCP-3925485</b>	5000K	363LM

## OTHER DATA







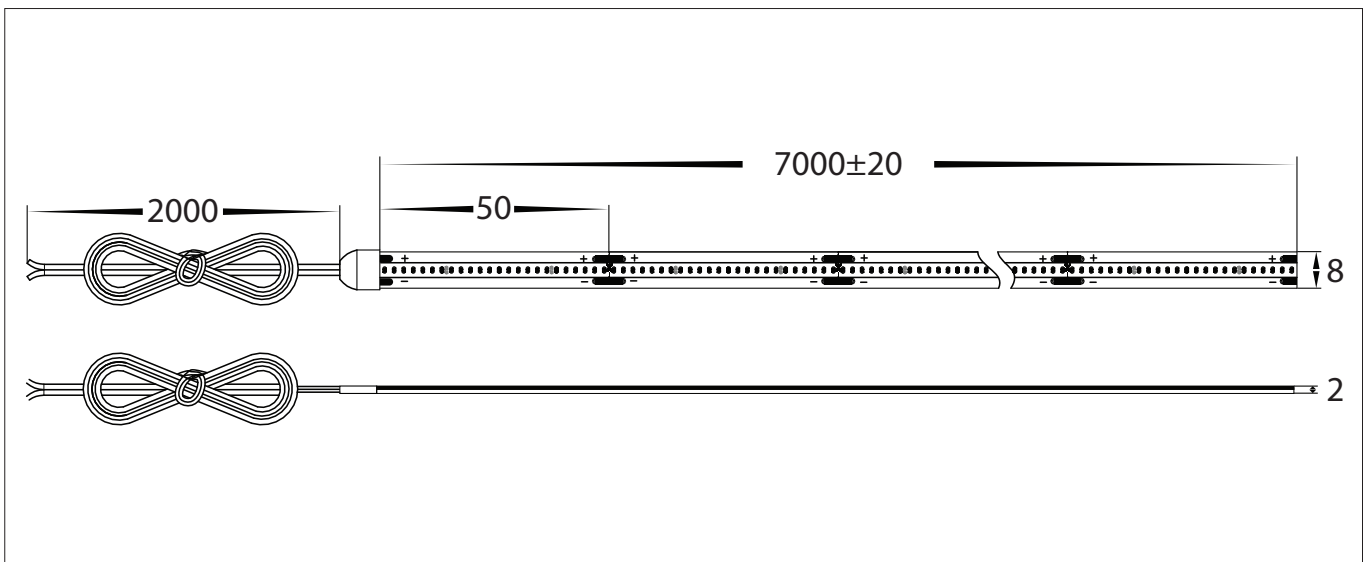
## PRODUCT DATA

9.6W CSP IP20 LED STRIP	
LED CHIP TYPE	CSP
SIZE	8MM X 2MM
PCB	3OZ
LED CHIPS / METRE	480
CUT INCREMENTS	50MM
COLOUR TEMP.	2700K   3000K   4000K   5000K
LUMEN OUTPUT	635LM   644LM   679LM   641LM
INPUT VOLTAGE	24V DC
WIRING	PARALLEL
MOUNTING	ALUMINIUM PROFILE OR HEAT SINK
MAXIMUM LENGTH	7,000MM
REQUIREMENTS	24V DC LED DRIVER
DIMMING	0-1/10V, DALI, DMX, RF & WIFI
CRI	RA>90
BEAM ANGLE	120°
IP RATING	IP20

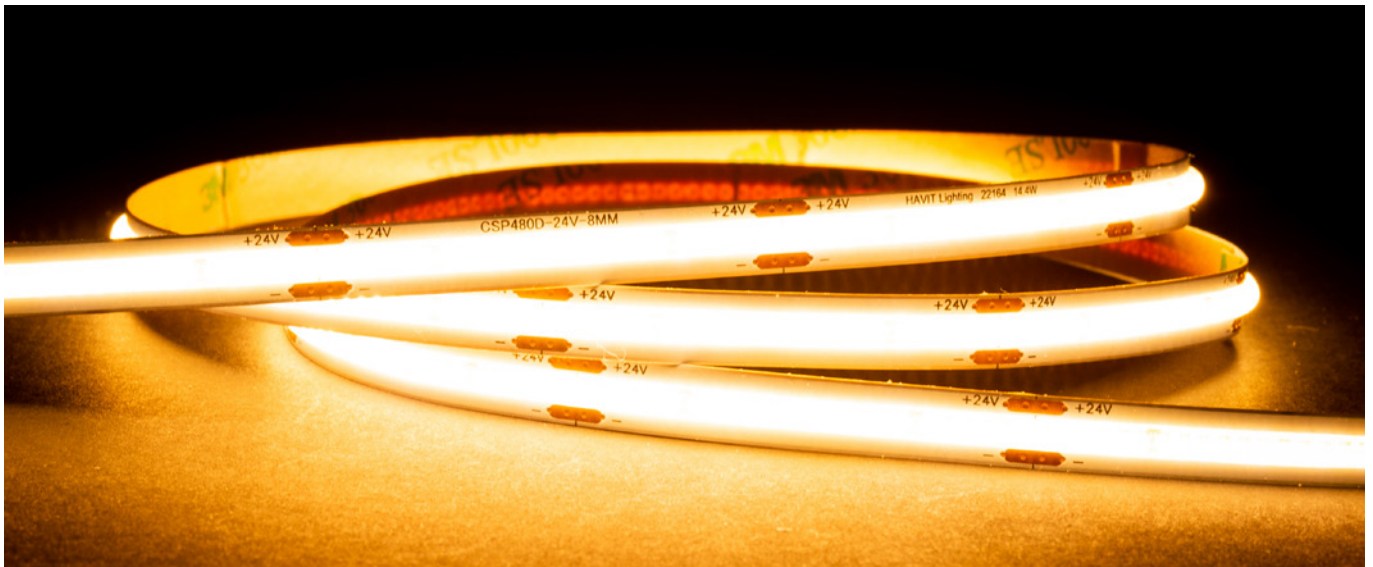
## PRODUCT ORDERING

480 LED STRIP			
	<b>HCP-3925962</b>	2700K	635LM
	<b>HCP-3925963</b>	3000K	644LM
	<b>HCP-3925964</b>	4000K	679LM
	<b>HCP-3925965</b>	5000K	641LM

## OTHER DATA



# 14.4W CSP IP20 LED STRIP



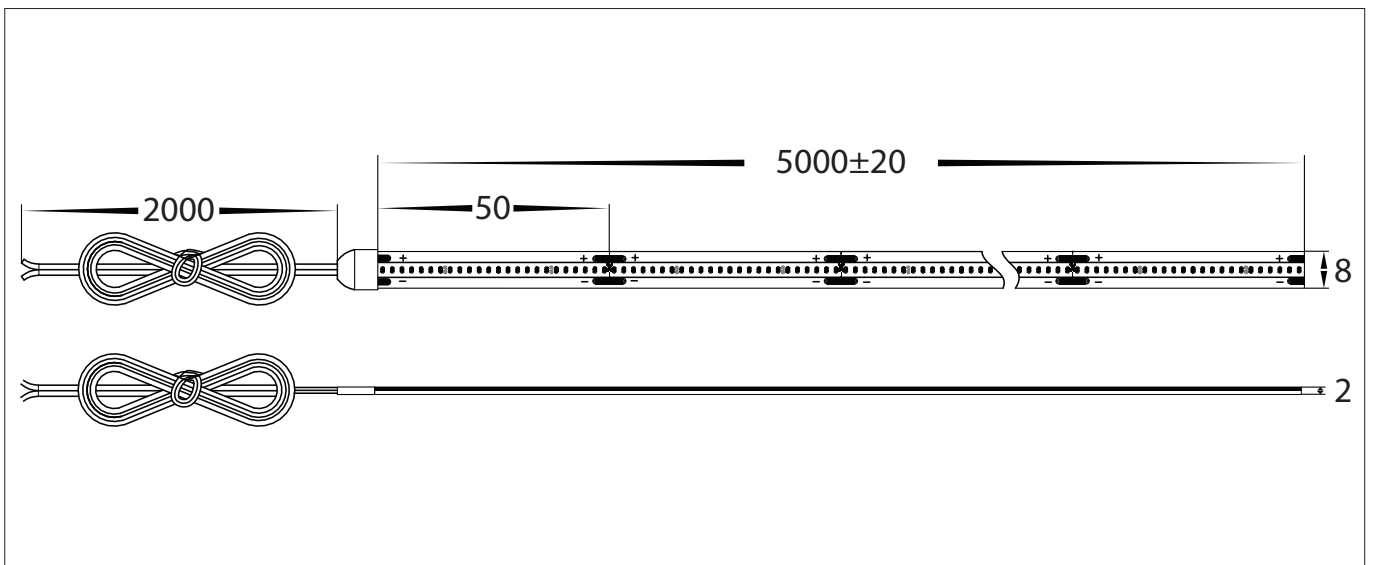
## PRODUCT DATA

14.4W CSP IP20 LED STRIP	
LED CHIP TYPE	CSP
SIZE	8MM X 2MM
PCB	3OZ
LED CHIPS / METRE	480
CUT INCREMENTS	50MM
COLOUR TEMP.	2700K   3000K   4000K   5000K
LUMEN OUTPUT	920LM   924LM   900LM   930LM
INPUT VOLTAGE	24V DC
WIRING	PARALLEL
MOUNTING	ALUMINIUM PROFILE OR HEAT SINK
MAXIMUM LENGTH	5,000MM
REQUIREMENTS	24V DC LED DRIVER
DIMMING	0-1/10V, DALI, DMX, RF & WIFI
CRI	RA>90
BEAM ANGLE	120°
IP RATING	IP20

## PRODUCT ORDERING

480 LED STRIP			
	<b>HCP-3925142</b>	2700K	920LM
	<b>HCP-3925143</b>	3000K	924LM
	<b>HCP-3925144</b>	4000K	900LM
	<b>HCP-3925145</b>	5000K	930LM

## OTHER DATA



# 19.2W CSP IP20 LED STRIP

12





LED STRIP



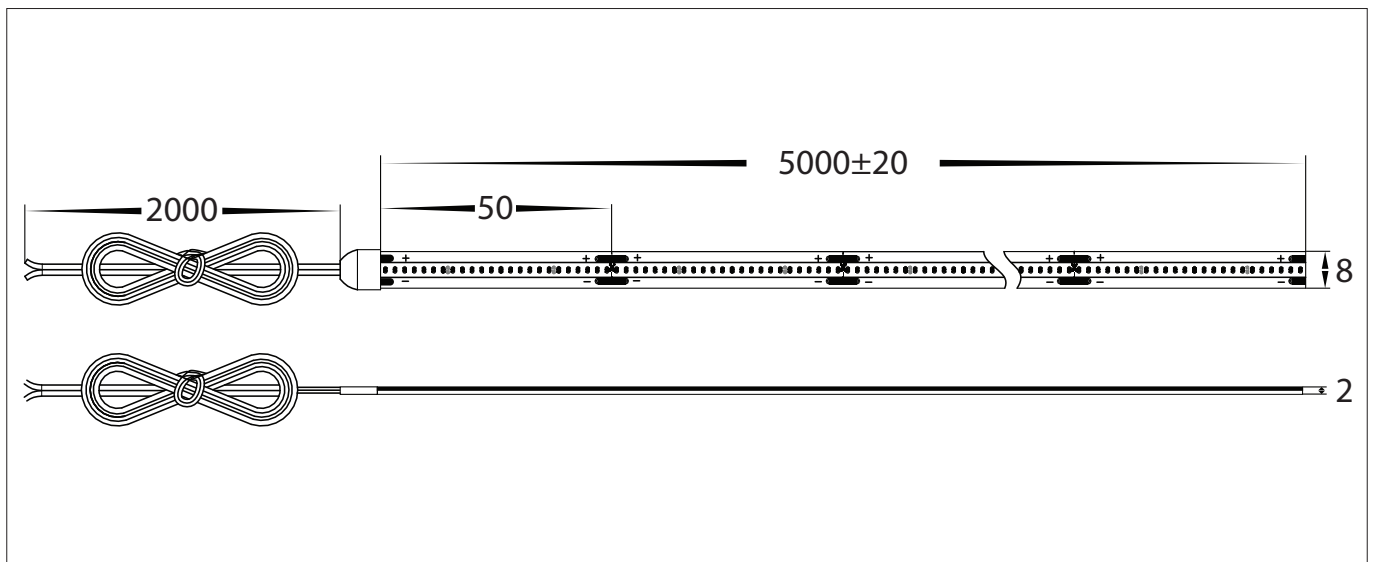
## PRODUCT DATA

19.2W CSP IP20 LED STRIP	
LED CHIP TYPE	CSP
SIZE	8MM X 2MM
PCB	3OZ
LED CHIPS / METRE	480
CUT INCREMENTS	50MM
COLOUR TEMP.	2700K   3000K   4000K   5000K
LUMEN OUTPUT	1140LM   1152LM   1155LM   1090LM
INPUT VOLTAGE	24V DC
WIRING	PARALLEL
MOUNTING	ALUMINIUM PROFILE OR HEAT SINK
MAXIMUM LENGTH	5,000MM
REQUIREMENTS	24V DC LED DRIVER
DIMMING	0-1/10V, DALI, DMX, RF & WIFI
CRI	RA>90
BEAM ANGLE	120°
IP RATING	IP20

## PRODUCT ORDERING

480 LED STRIP			
	<b>HCP-3925192</b>	2700K	1140LM
	<b>HCP-3925193</b>	3000K	1152LM
	<b>HCP-3925194</b>	4000K	1155LM
	<b>HCP-3925195</b>	5000K	1090LM

## OTHER DATA



# 4.8W CSP IP54 LED STRIP



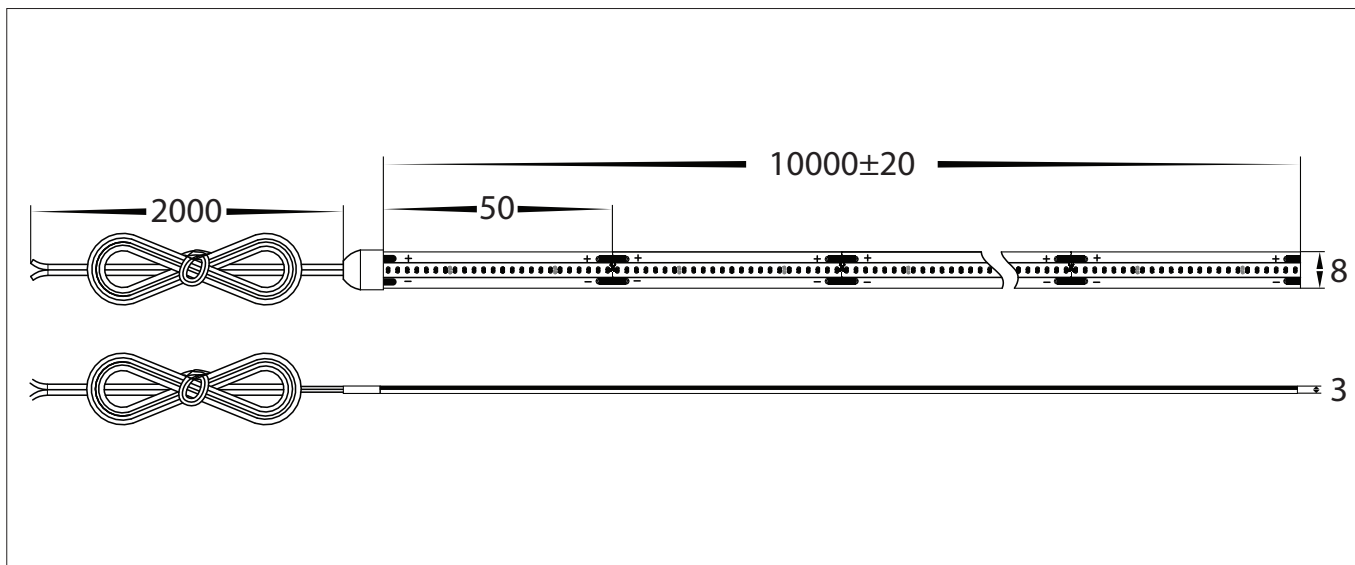
## PRODUCT DATA

4.8W CSP IP54 LED STRIP	
LED CHIP TYPE	CSP
SIZE	8MM X 3MM
PCB	3OZ
LED CHIPS / METRE	480
CUT INCREMENTS	50MM
COLOUR TEMP.	2700K   3000K   4000K   5000K
LUMEN OUTPUT	360LM   389LM   380LM   400LM
INPUT VOLTAGE	24V DC
WIRING	PARALLEL
MOUNTING	ALUMINIUM PROFILE OR HEAT SINK
MAXIMUM LENGTH	10,000MM
REQUIREMENTS	24V DC LED DRIVER
DIMMING	0-1/10V, DALI, DMX, RF & WIFI
CRI	RA>90
BEAM ANGLE	120°
IP RATING	IP54

## PRODUCT ORDERING

480 LED STRIP			
	<b>HCP-3955482</b>	2700K	360LM
	<b>HCP-3955483</b>	3000K	389LM
	<b>HCP-3955484</b>	4000K	380LM
	<b>HCP-3955485</b>	5000K	400LM

## OTHER DATA





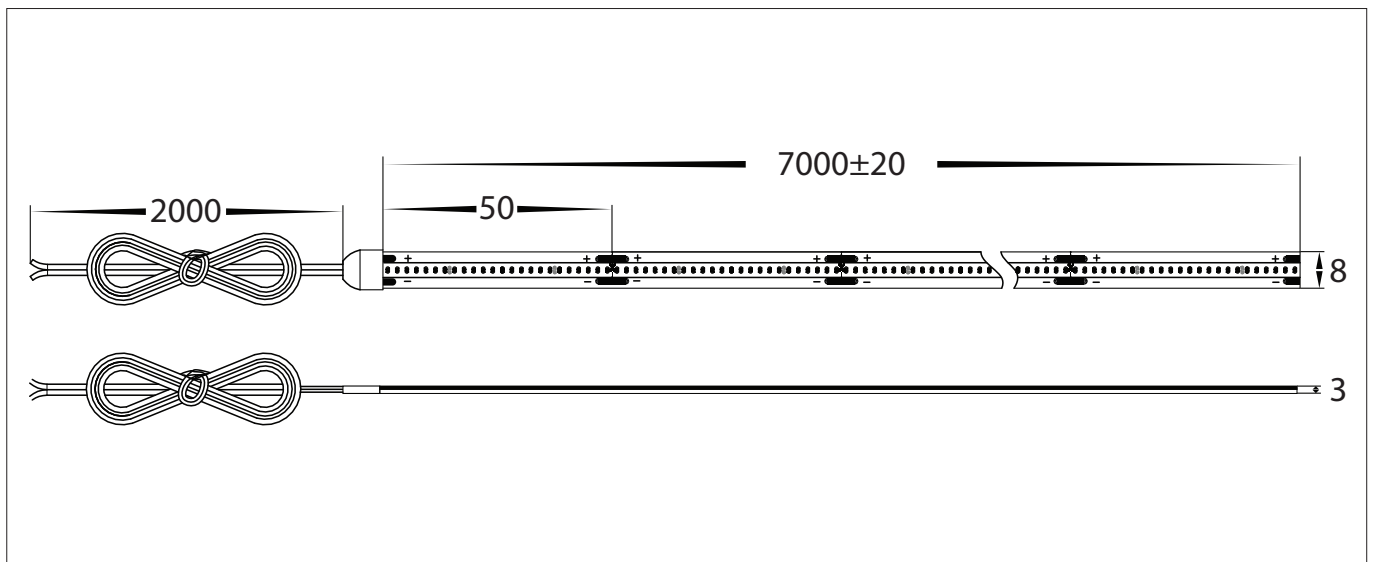
## PRODUCT DATA

9.6W CSP IP54 LED STRIP	
LED CHIP TYPE	CSP
SIZE	8MM X 3MM
PCB	3OZ
LED CHIPS / METRE	480
CUT INCREMENTS	50MM
COLOUR TEMP.	2700K   3000K   4000K   5000K
LUMEN OUTPUT	770LM   776LM   798LM   673LM
INPUT VOLTAGE	24V DC
WIRING	PARALLEL
MOUNTING	ALUMINIUM PROFILE OR HEAT SINK
MAXIMUM LENGTH	7,000MM
REQUIREMENTS	24V DC LED DRIVER
DIMMING	0-1/10V, DALI, DMX, RF & WIFI
CRI	RA>90
BEAM ANGLE	120°
IP RATING	IP54

## PRODUCT ORDERING

480 LED STRIP			
	<b>HCP-3955962</b>	2700K	770LM
	<b>HCP-3955963</b>	3000K	776LM
	<b>HCP-3955964</b>	4000K	798LM
	<b>HCP-3955965</b>	5000K	673LM

## OTHER DATA



# 14.4W CSP IP54 LED STRIP



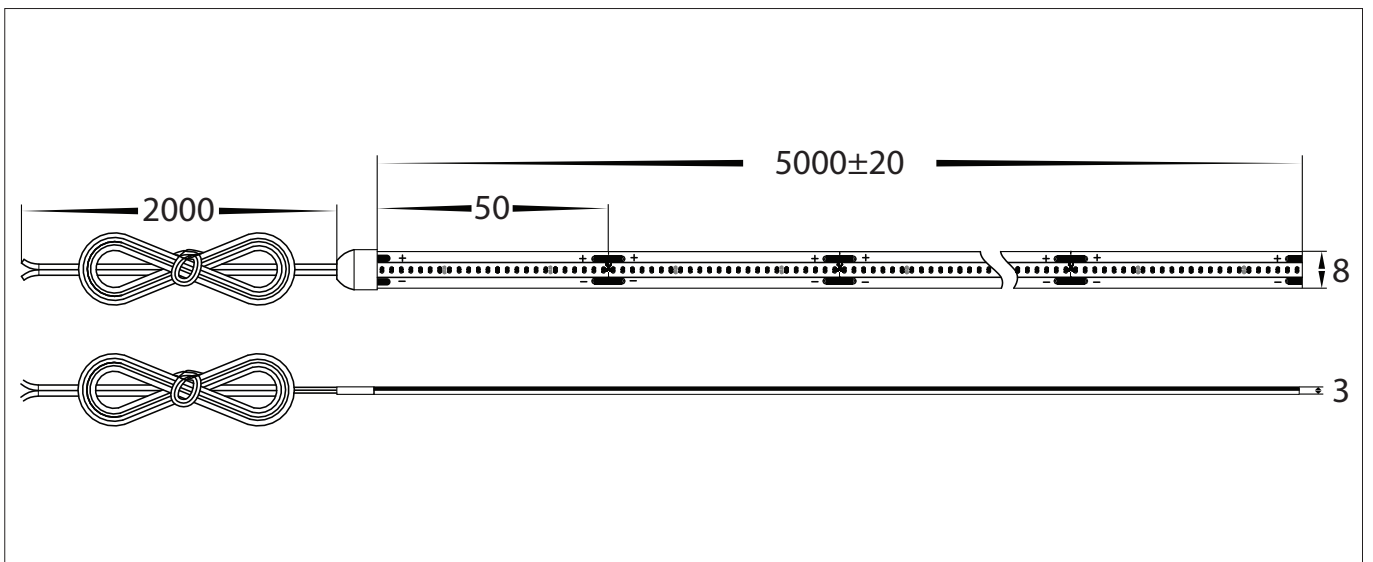
## PRODUCT DATA

14.4W CSP IP54 LED STRIP	
LED CHIP TYPE	CSP
SIZE	8MM X 3MM
PCB	3OZ
LED CHIPS / METRE	480
CUT INCREMENTS	50MM
COLOUR TEMP.	2700K   3000K   4000K   5000K
LUMEN OUTPUT	1025LM   1037LM   960LM   990LM
INPUT VOLTAGE	24V DC
WIRING	PARALLEL
MOUNTING	ALUMINIUM PROFILE OR HEAT SINK
MAXIMUM LENGTH	5,000MM
REQUIREMENTS	24V DC LED DRIVER
DIMMING	0-1/10V, DALI, DMX, RF & WIFI
CRI	RA>90
BEAM ANGLE	120°
IP RATING	IP54

## PRODUCT ORDERING

480 LED STRIP			
	<b>HCP-3955142</b>	2700K	1025LM
	<b>HCP-3955143</b>	3000K	1037LM
	<b>HCP-3955144</b>	4000K	960LM
	<b>HCP-3955145</b>	5000K	990LM

## OTHER DATA



# 19.2W CSP IP54 LED STRIP

12

LED STRIP



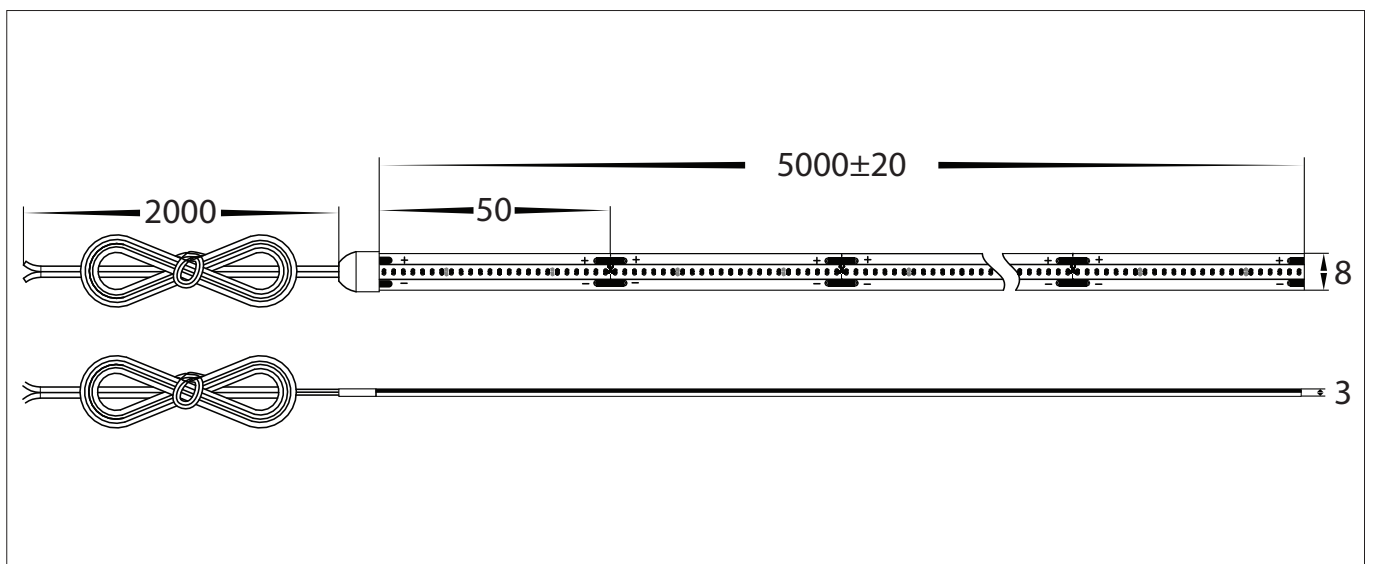
## PRODUCT DATA

19.2W CSP IP54 LED STRIP	
LED CHIP TYPE	CSP
SIZE	8MM X 3MM
PCB	3OZ
LED CHIPS / METRE	480
CUT INCREMENTS	50MM
COLOUR TEMP.	2700K   3000K   4000K   5000K
LUMEN OUTPUT	1185LM   1191LM   1298LM   1277LM
INPUT VOLTAGE	24V DC
WIRING	PARALLEL
MOUNTING	ALUMINIUM PROFILE OR HEAT SINK
MAXIMUM LENGTH	5,000MM
REQUIREMENTS	24V DC LED DRIVER
DIMMING	0-1/10V, DALI, DMX, RF & WIFI
CRI	RA>90
BEAM ANGLE	120°
IP RATING	IP54

## PRODUCT ORDERING

480 LED STRIP			
	<b>HCP-3955192</b>	2700K	1185LM
	<b>HCP-3955193</b>	3000K	1191LM
	<b>HCP-3955194</b>	4000K	1298LM
	<b>HCP-3955195</b>	5000K	1277LM

## OTHER DATA



# 4.8W CSP IP67 LED STRIP



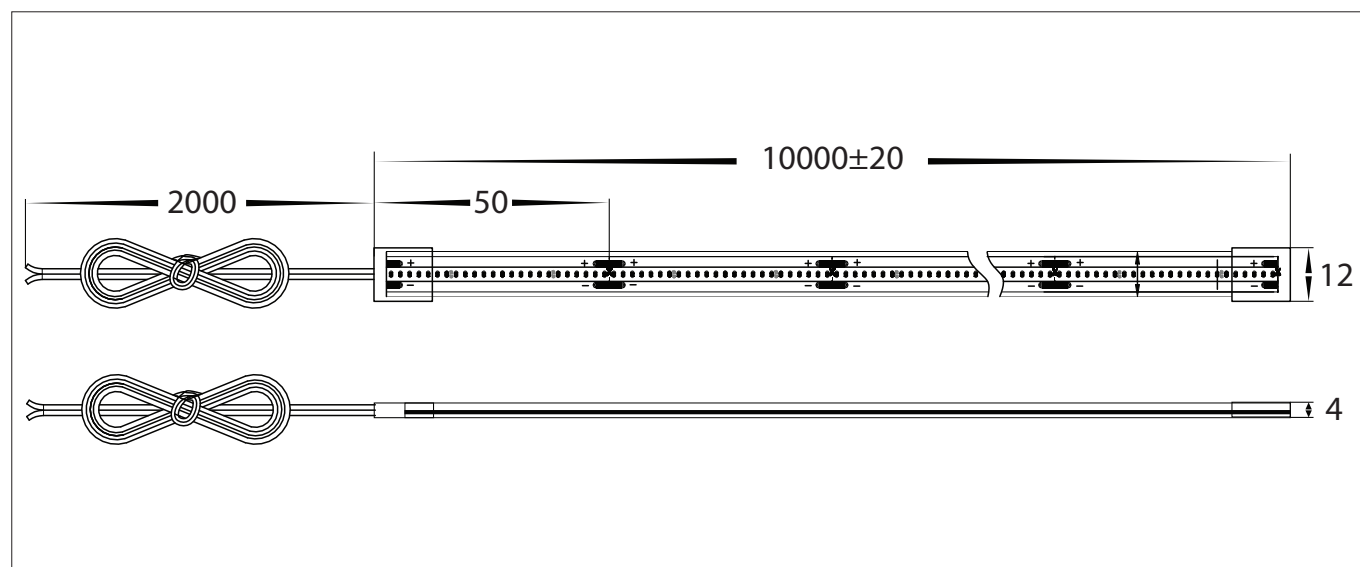
## PRODUCT DATA

4.8W CSP IP67 LED STRIP	
LED CHIP TYPE	CSP
SIZE	12MM X 4MM
PCB	3OZ
LED CHIPS / METRE	480
CUT INCREMENTS	50MM
COLOUR TEMP.	2700K   3000K   4000K   5000K
LUMEN OUTPUT	355LM   375LM   365LM   365LM
INPUT VOLTAGE	24V DC
WIRING	PARALLEL
MOUNTING	ALUMINIUM PROFILE OR HEAT SINK
MAXIMUM LENGTH	10,000MM
REQUIREMENTS	24V DC LED DRIVER
DIMMING	0-1/10V, DALI, DMX, RF & WIFI
CRI	RA>90
BEAM ANGLE	120°
IP RATING	IP67

## PRODUCT ORDERING

480 LED STRIP			
	<b>HCP-3965482</b>	2700K	355LM
	<b>HCP-3965483</b>	3000K	375LM
	<b>HCP-3965484</b>	4000K	365LM
	<b>HCP-3965485</b>	5000K	365LM

## OTHER DATA







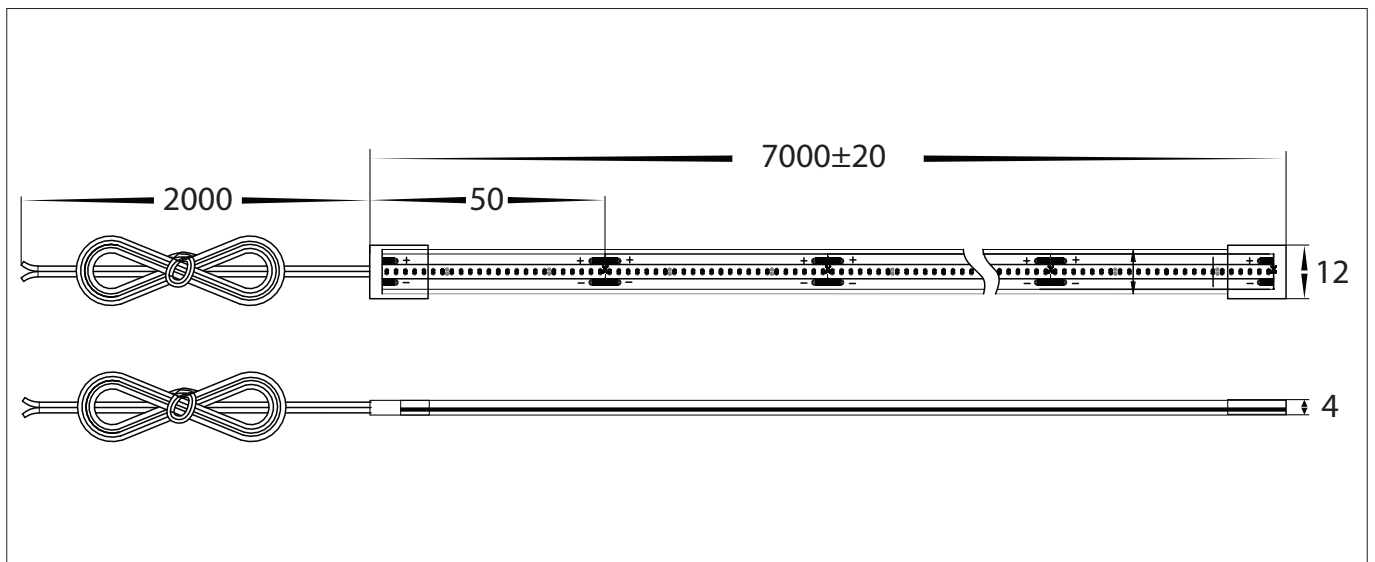
## PRODUCT DATA

9.6W CSP IP67 LED STRIP	
LED CHIP TYPE	CSP
SIZE	12MM X 4MM
PCB	3OZ
LED CHIPS / METRE	480
CUT INCREMENTS	50MM
COLOUR TEMP.	2700K   3000K   4000K   5000K
LUMEN OUTPUT	662LM   674LM   742LM   740LM
INPUT VOLTAGE	24V DC
WIRING	PARALLEL
MOUNTING	ALUMINIUM PROFILE OR HEAT SINK
MAXIMUM LENGTH	7,000MM
REQUIREMENTS	24V DC LED DRIVER
DIMMING	0-1/10V, DALI, DMX, RF & WIFI
CRI	RA>90
BEAM ANGLE	120°
IP RATING	IP67

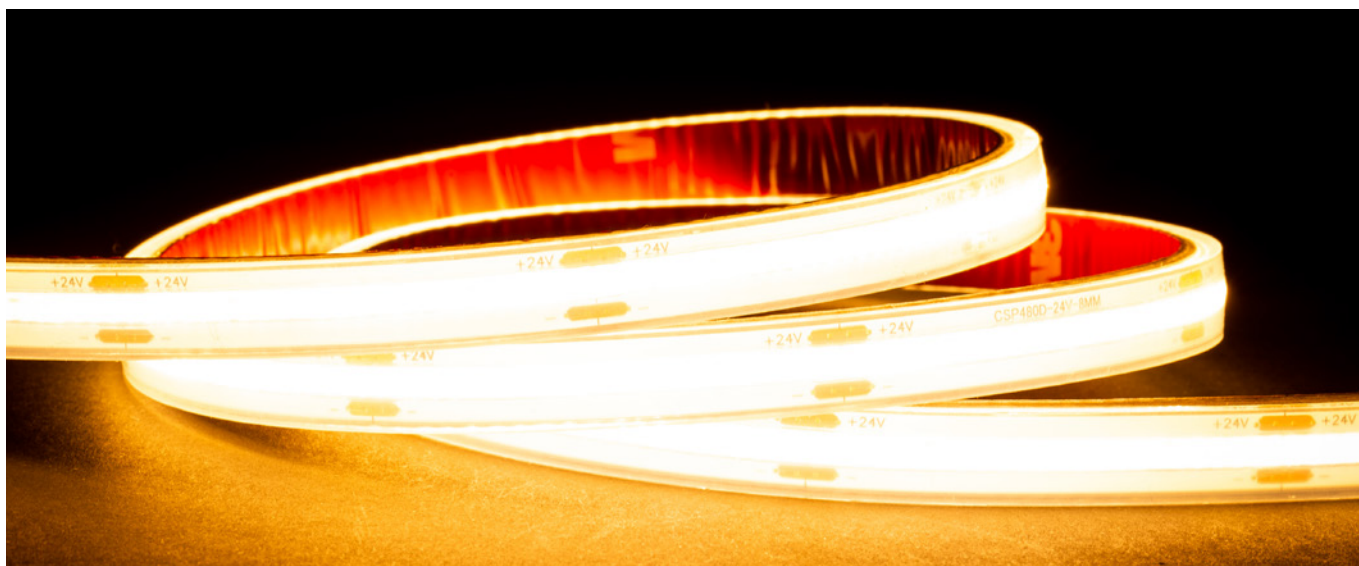
## PRODUCT ORDERING

480 LED STRIP			
	<b>HCP-3965962</b>	2700K	662LM
	<b>HCP-3965963</b>	3000K	674LM
	<b>HCP-3965964</b>	4000K	742LM
	<b>HCP-3965965</b>	5000K	740LM

## OTHER DATA



# 14.4W CSP IP67 LED STRIP



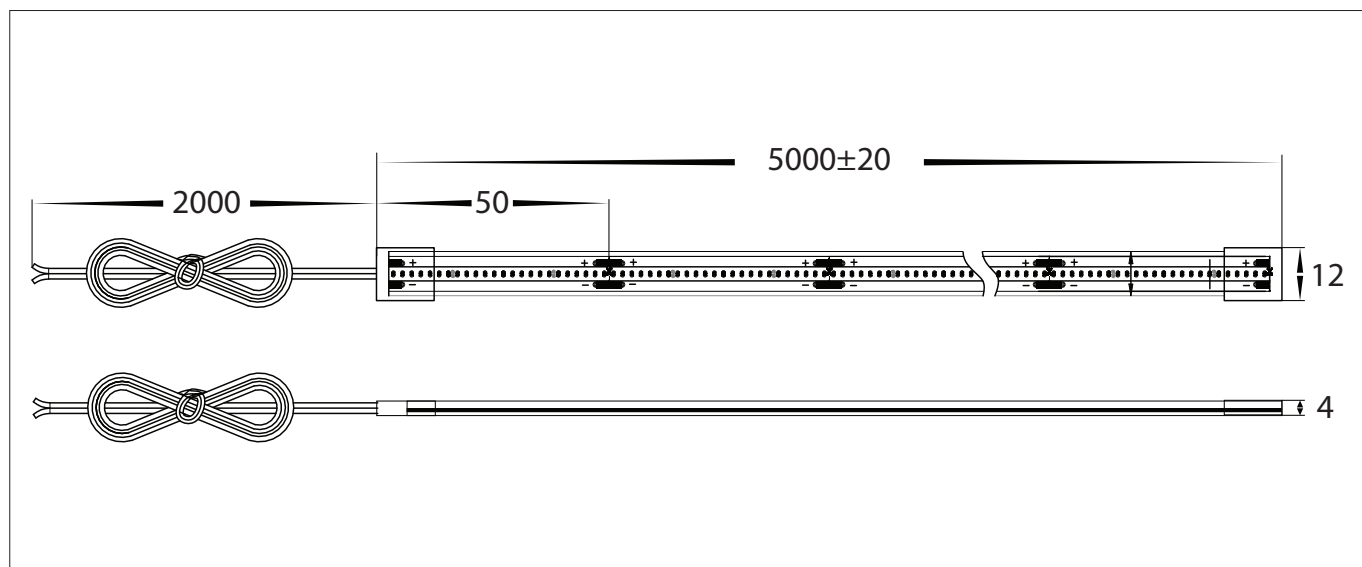
## PRODUCT DATA

14.4W CSP IP67 LED STRIP	
LED CHIP TYPE	CSP
SIZE	12MM X 4MM
PCB	3OZ
LED CHIPS / METRE	480
CUT INCREMENTS	50MM
COLOUR TEMP.	2700K   3000K   4000K   5000K
LUMEN OUTPUT	1055LM   1076LM   1074LM   974LM
INPUT VOLTAGE	24V DC
WIRING	PARALLEL
MOUNTING	ALUMINIUM PROFILE OR HEAT SINK
MAXIMUM LENGTH	5,000MM
REQUIREMENTS	24V DC LED DRIVER
DIMMING	0-1/10V, DALI, DMX, RF & WIFI
CRI	RA>90
BEAM ANGLE	120°
IP RATING	IP67

## PRODUCT ORDERING

480 LED STRIP			
	<b>HCP-3965142</b>	2700K	1055LM
	<b>HCP-3965143</b>	3000K	1076LM
	<b>HCP-3965144</b>	4000K	1074LM
	<b>HCP-3965145</b>	5000K	974LM

## OTHER DATA





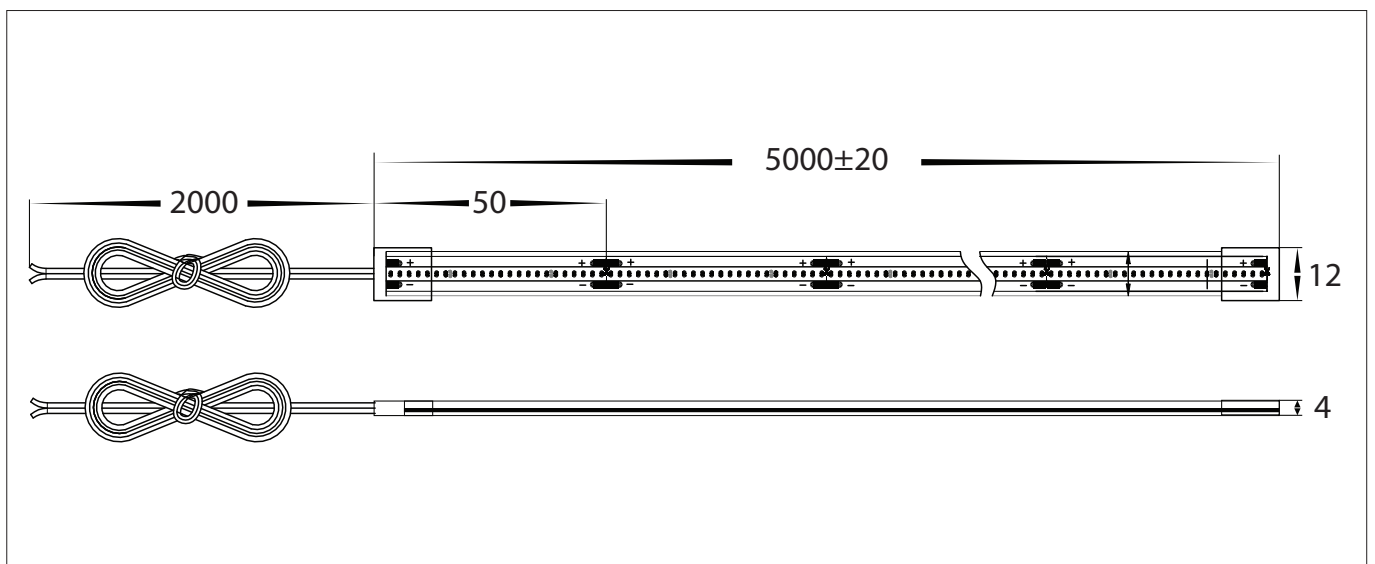
## PRODUCT DATA

19.2W CSP IP67 LED STRIP	
LED CHIP TYPE	CSP
SIZE	12MM X 4MM
PCB	3OZ
LED CHIPS / METRE	480
CUT INCREMENTS	50MM
COLOUR TEMP.	2700K   3000K   4000K   5000K
LUMEN OUTPUT	1327LM   1342LM   1303LM   1200LM
INPUT VOLTAGE	24V DC
WIRING	PARALLEL
MOUNTING	ALUMINIUM PROFILE OR HEAT SINK
MAXIMUM LENGTH	5,000MM
REQUIREMENTS	24V DC LED DRIVER
DIMMING	0-1/10V, DALI, DMX, RF & WIFI
CRI	RA>90
BEAM ANGLE	120°
IP RATING	IP67

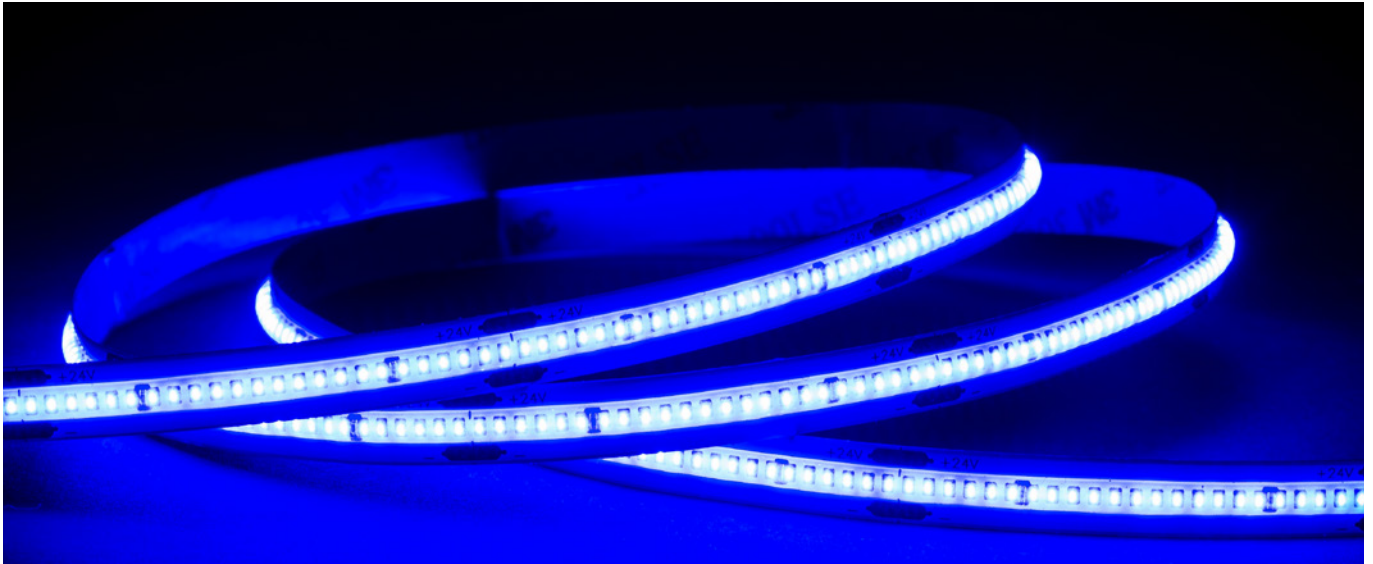
## PRODUCT ORDERING

480 LED STRIP			
	<b>HCP-3965192</b>	2700K	1327LM
	<b>HCP-3965193</b>	3000K	1342LM
	<b>HCP-3965194</b>	4000K	1303LM
	<b>HCP-3965195</b>	5000K	1200LM

## OTHER DATA



# 9.6W CSP COLOURED LED STRIP



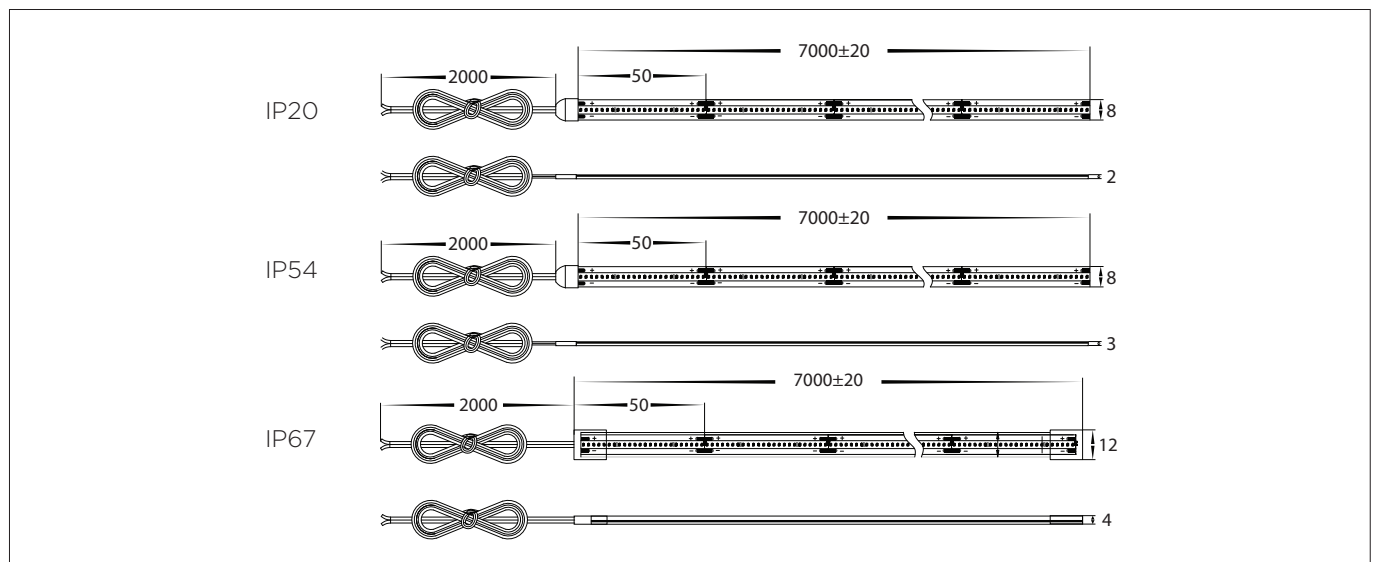
## PRODUCT DATA

9.6W CSP COLOURED LED STRIP	
LED CHIP TYPE	CSP
SIZE	8MM X 2MM   8MM X 3MM   12MM X 4MM
PCB	3OZ
LED CHIPS / METRE	480
CUT INCREMENTS	50MM
COLOUR TEMP.	RED   GREEN   BLUE
LUMEN OUTPUT	158LM   184LM   141LM
INPUT VOLTAGE	24V DC
WIRING	PARALLEL
MOUNTING	ALUMINIUM PROFILE OR HEAT SINK
MAXIMUM LENGTH	7,000MM
REQUIREMENTS	24V DC LED DRIVER
DIMMING	0-1/10V, DALI, DMX, RF & WIFI
CRI	RA>90
BEAM ANGLE	120°
IP RATING	IP20   IP54   IP67

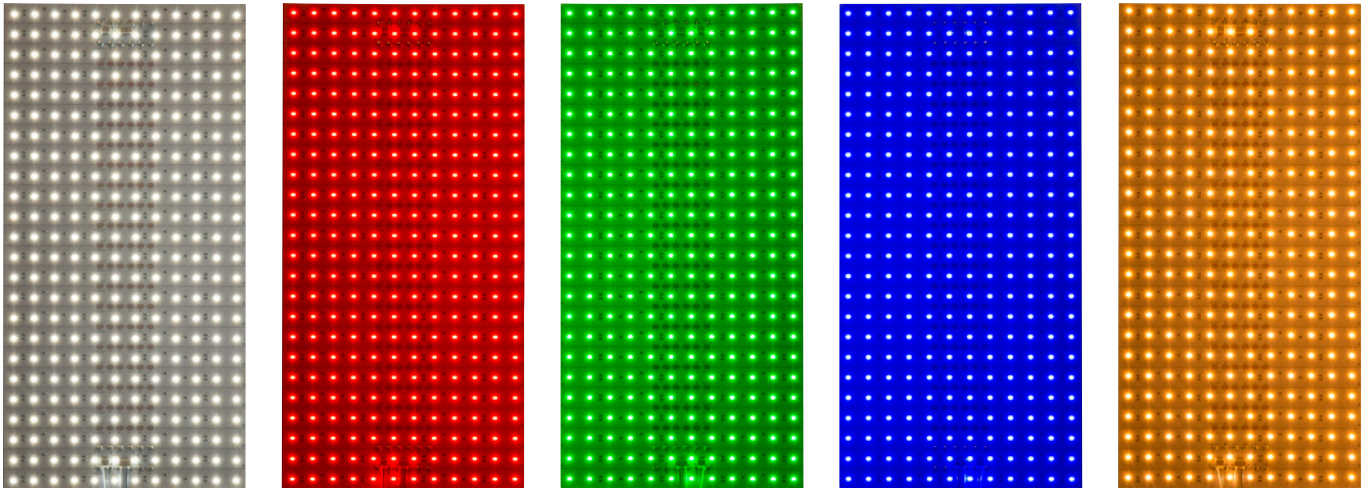
## PRODUCT ORDERING

IP20 PRODUCT ORDERING			
	<b>HCP-3925967</b>	RED	158LM
	<b>HCP-3925968</b>	GREEN	184LM
	<b>HCP-3925969</b>	BLUE	141LM
IP54 PRODUCT ORDERING			
	<b>HCP-3955969</b>	BLUE	141LM
IP67 PRODUCT ORDERING			
	<b>HCP-3965969</b>	BLUE	141LM

## OTHER DATA




# 110W RGBCW LED SHEETS



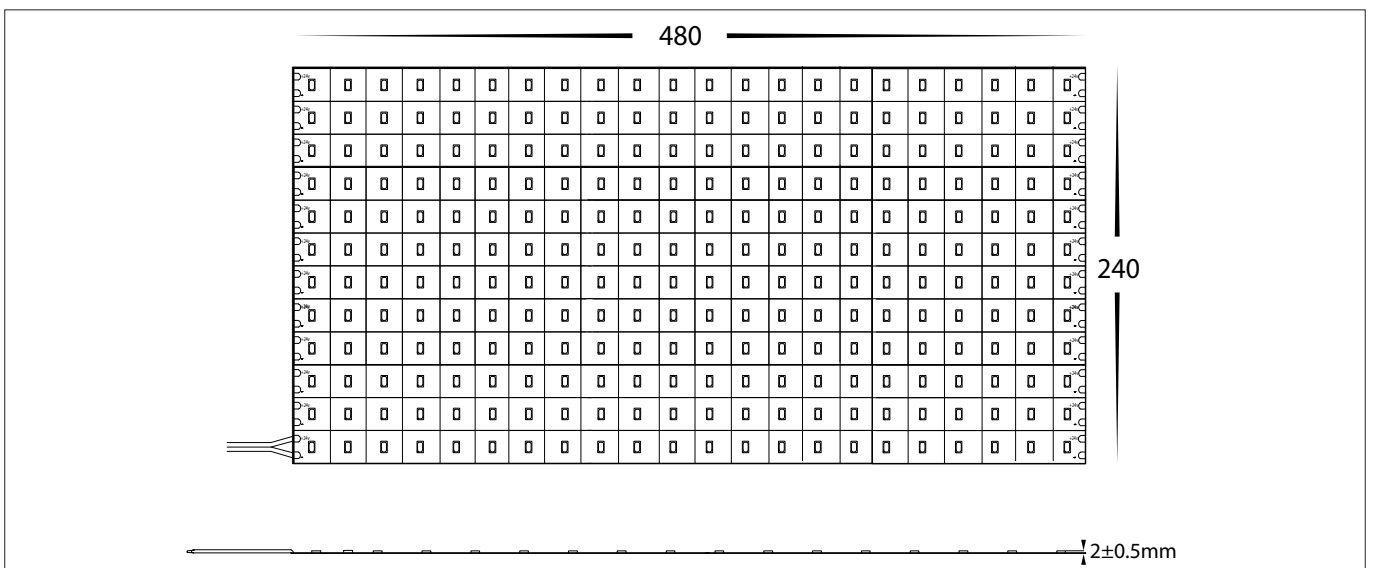
## PRODUCT DATA

110W RGBCW LED SHEET	
LED CHIP TYPE	2835
SIZE	480MM X 240MM
PCB	30Z
LED CHIPS / METRE	288 LED
CUT INCREMENTS	EVERY 12 LED
COLOUR TEMP	RGBCW
LUMEN OUTPUT	5134LM
INPUT VOLTAGE	24V DC
WIRING	PARALLEL
MOUNTING	ALUMINIUM HEAT SINK
MAXIMUM SHEETS	2
REQUIREMENTS	24V DC LED DRIVER + CONTROLLER
DIMMING	RF, WIFI
CRI	RA>90
BEAM ANGLE	120°
IP RATING	IP20

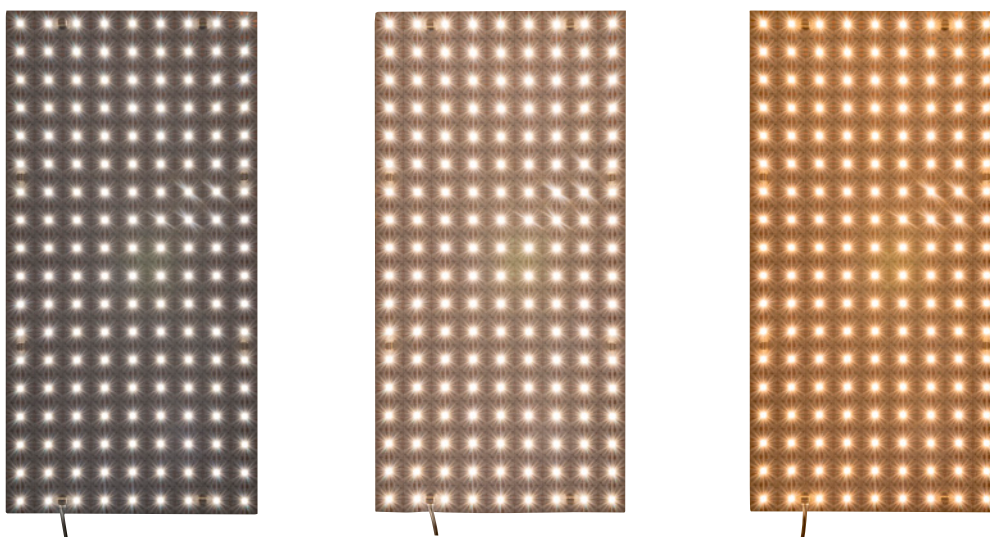
## PRODUCT ORDERING

110W LED SHEETS			
	<b>HCP-3825150</b>	RGBCW	5134LM

## OTHER DATA



# 36W LED SHEETS



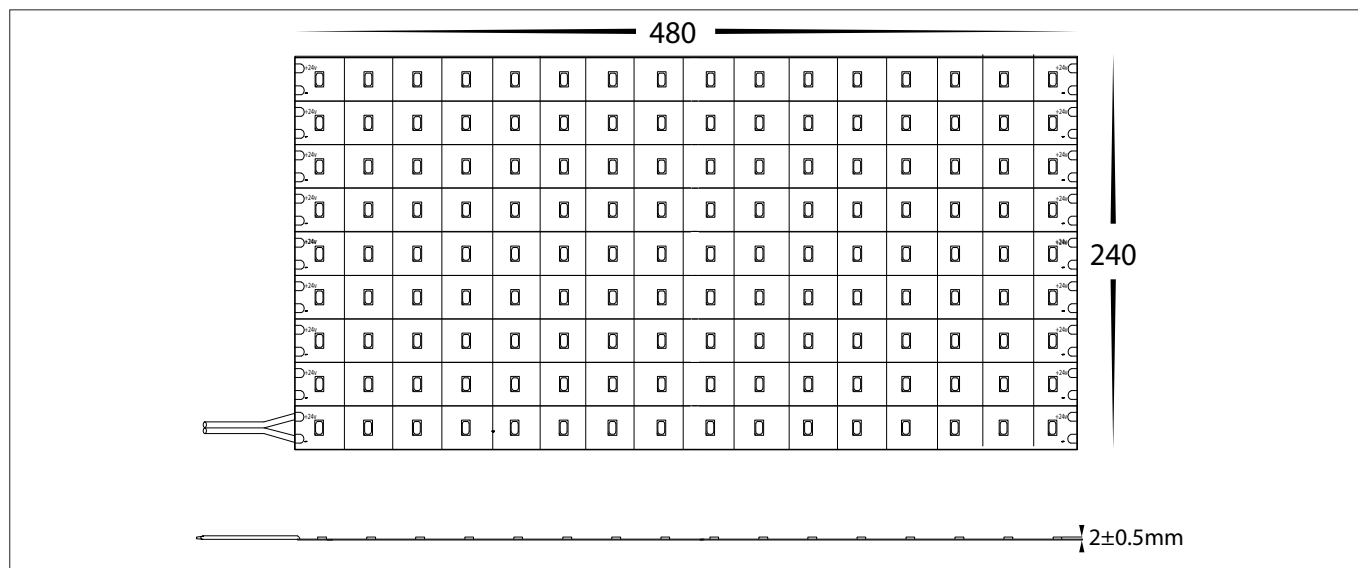
## PRODUCT DATA

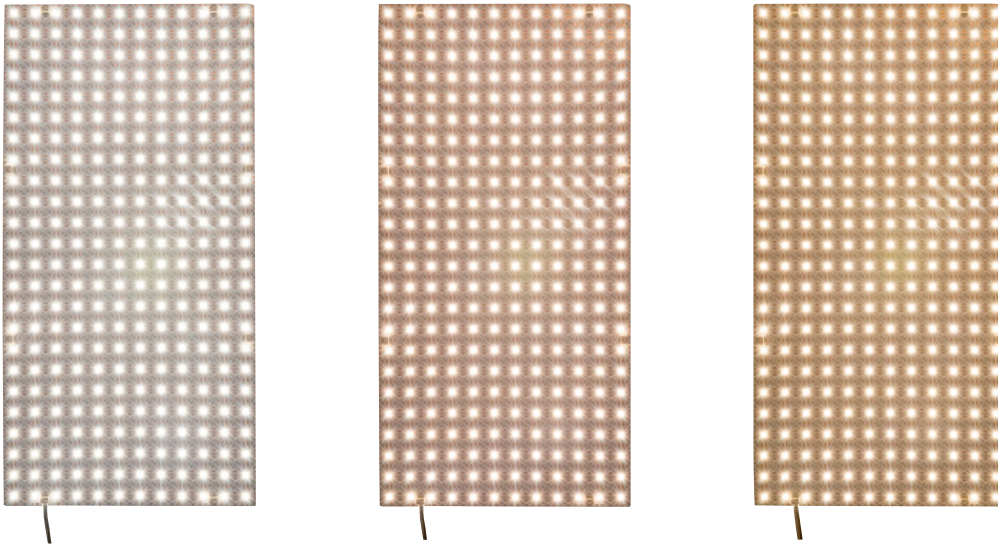
36W LED SHEETS	
LED CHIP TYPE	2835
SIZE	480MM X 240MM
PCB	3OZ
LED CHIPS	168
CUT INCREMENTS	EVERY 1 LED
COLOUR TEMP	3000K   4000K   5000K
LUMEN OUTPUT	3273LM   3416LM   3615LM
INPUT VOLTAGE	24V DC
WIRING	PARALLEL
MOUNTING	ALUMINIUM
MAXIMUM SHEETS	7
REQUIREMENTS	24V DC LED DRIVER
DIMMING	0-1/10V, DALI, DMX, RF
CRI	>90
BEAM ANGLE	120°
IP RATING	IP20

## PRODUCT ORDERING

36W LED SHEETS			
	<b>HCP-3825363</b>	3000K	3273LM
	<b>HCP-3825364</b>	4000K	3416LM
	<b>HCP-3825365</b>	5000K	3615LM

## OTHER DATA





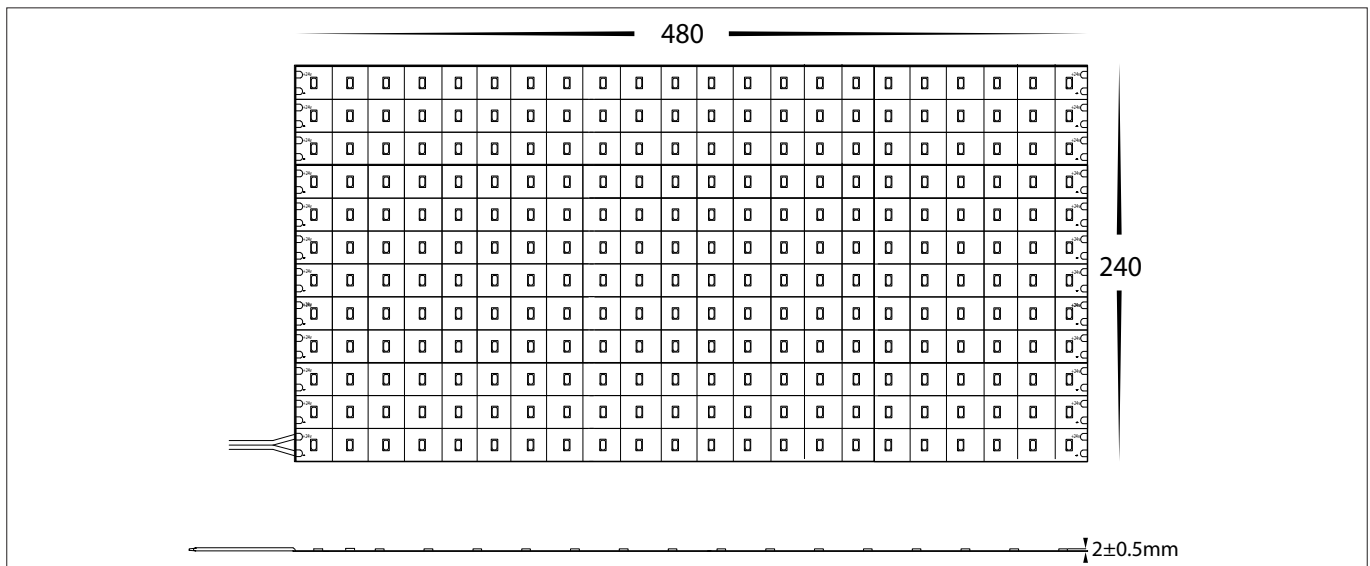
## PRODUCT DATA

60W LED SHEETS	
LED CHIP TYPE	2835
SIZE	480MM X 240MM
PCB	3OZ
LED CHIPS	288
CUT INCREMENTS	EVERY 1 LED
COLOUR TEMP	3000K   4000K   5000K
LUMEN OUTPUT	5134LM   5438LM   5507LM
INPUT VOLTAGE	24V DC
WIRING	PARALLEL
MOUNTING	ALUMINIUM
MAXIMUM SHEETS	4
REQUIREMENTS	24V DC LED DRIVER
DIMMING	0-1/10V, DALI, DMX, RF
CRI	>90
BEAM ANGLE	120°
IP RATING	IP20

## PRODUCT ORDERING

60W LED SHEETS			
	<b>HCP-3825603</b>	3000K	5134LM
	<b>HCP-3825604</b>	4000K	5438LM
	<b>HCP-3825605</b>	5000K	5507LM

## OTHER DATA







# 7MM X 7MM SURFACE MOUNTED ALUMINIUM PROFILE



## PRODUCT DATA

7MM X 7MM	
MATERIAL	ALUMINIUM
COLOUR/FINISH	SILVER
AVAILABLE LENGTHS	UP TO 3000MM CONTINUOUS
LED STRIP TYPE	4MM (W) X 2MM (H)
DIFFUSER TYPE	PC STANDARD
IP RATING	IP20

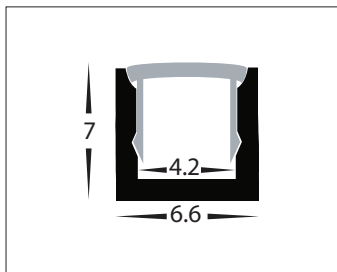
*Powder Coating Available\**



## PRODUCT ORDERING

ALUMINIUM SILVER		
	<b>HV9693-0607</b>	CUSTOM CUT LENGTH. SUPPLIED WITH ALUMINIUM, DIFFUSER, 2X MOUNTING CLIPS PER METRE + 2X END CAPS PER LENGTH
	<b>HV9693-0607-3M</b>	3M LENGTH INCLUDES ALUMINIUM, DIFFUSER + 6X END CAPS & 6X MOUNTING CLIPS

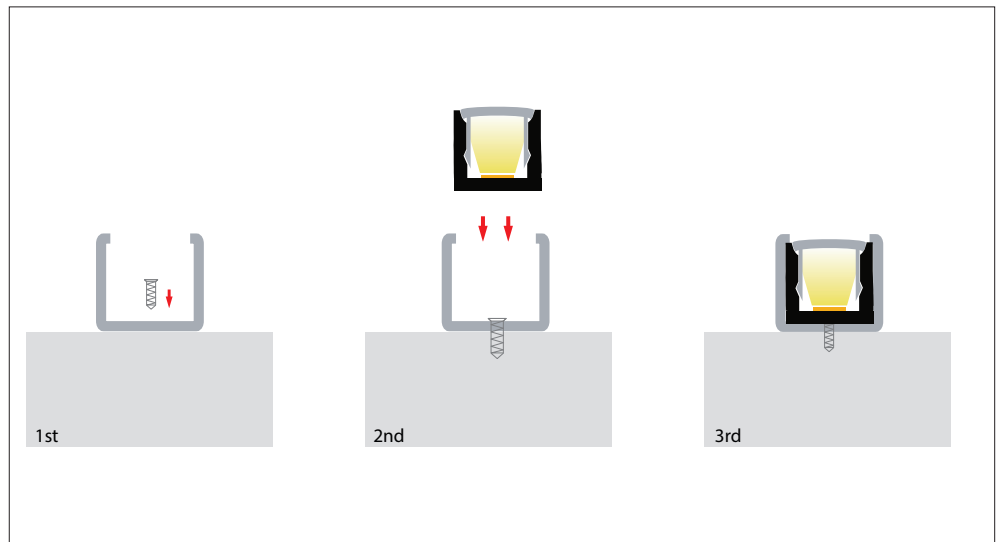
## MEASUREMENTS



## MOUNTING CLIPS



## SAMPLE INSTALLATION METHOD



**14**  
ALUMINIUM PROFILE

# 9MM X 15MM SURFACE MOUNTED ALUMINIUM PROFILE



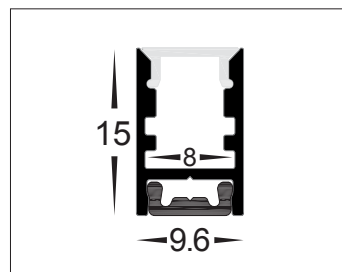
## PRODUCT DATA

9MM X 15MM	
MATERIAL	ALUMINIUM
COLOUR/FINISH	SILVER
AVAILABLE LENGTHS	UP TO 3000MM CONTINUOUS
LED STRIP TYPE	UP TO 6MM (W) X 2MM (H)
DIFFUSER TYPE	PC STANDARD
IP RATING	IP20

## PRODUCT ORDERING

ALUMINIUM SILVER		
	<b>HCP-4110915</b>	CUSTOM CUT LENGTH: SUPPLIED WITH 2X END CAPS PER LENGTH
	<b>HCP-4110915-3M</b>	3 METRE LENGTH: SUPPLIED WITH 6X END CAPS

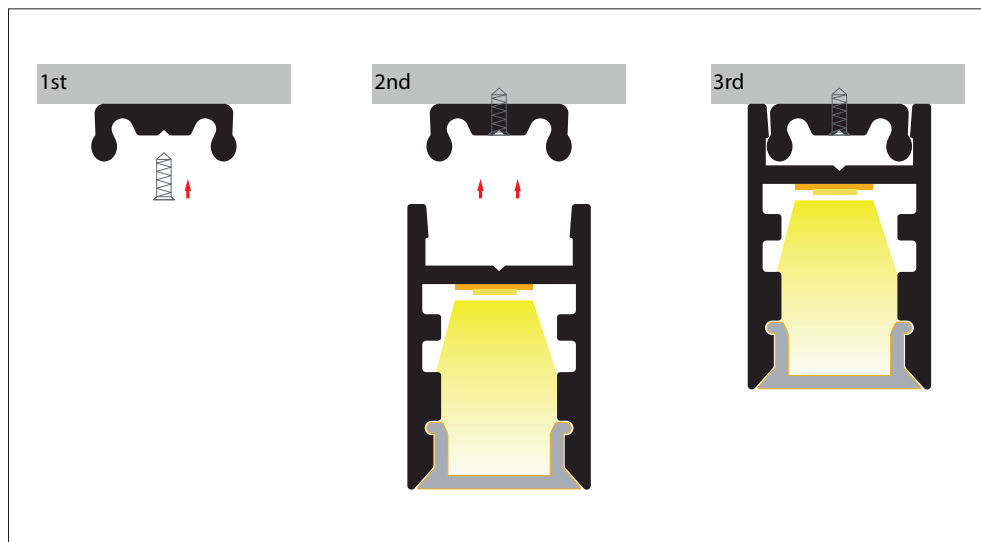
## MEASUREMENTS



## MOUNTING CLIPS

Supplied with Aluminium Mounting Bar

## SAMPLE INSTALLATION METHOD



# 10MM X 7MM SURFACE MOUNTED ALUMINIUM PROFILE



## PRODUCT DATA

10MM X 7MM	
MATERIAL	ALUMINIUM
COLOUR/FINISH	SILVER
AVAILABLE LENGTHS	UP TO 3000MM CONTINUOUS
LED STRIP TYPE	UP TO 6MM (W) X 2MM (H)
DIFFUSER TYPE	PC STANDARD
IP RATING	IP20

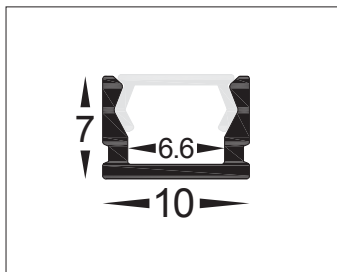
*Powder Coating Available\**



## PRODUCT ORDERING

ALUMINIUM SILVER		
	<b>HCP-4111007</b>	CUSTOM CUT LENGTH: SUPPLIED WITH 2X MOUNTING CLIPS PER METRE + 2X END CAPS PER LENGTH
	<b>HCP-4111007-3M</b>	3 METRE LENGTH: SUPPLIED WITH 6X MOUNTING CLIPS + 6X END CAPS

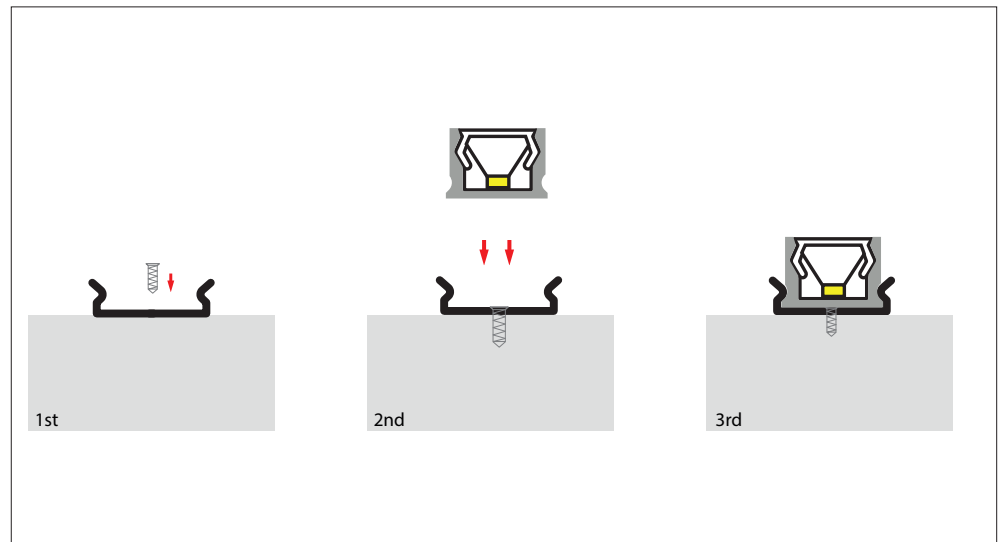
## MEASUREMENTS



## MOUNTING CLIPS



## SAMPLE INSTALLATION METHOD



# 15MM X 6MM SURFACE MOUNTED ALUMINIUM PROFILE

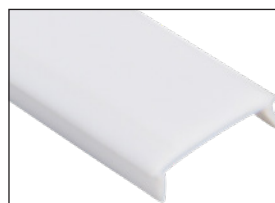


Powder Coating Available\*



## PRODUCT DATA

15MM X 6MM	
MATERIAL	ALUMINIUM
COLOUR/FINISH	SILVER
AVAILABLE LENGTHS	UP TO 3000MM CONTINUOUS
LED STRIP TYPE	UP TO 10MM (W) X 3MM (H)
DIFFUSER TYPE	PC STANDARD
IP RATING	IP20

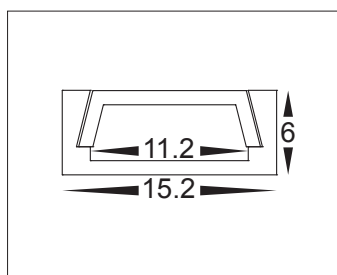


**HCP-4681506-LD:**  
Diffuser available for continuous run of up to 20 metres

## PRODUCT ORDERING

ALUMINIUM SILVER		
	<b>HCP-4111506</b>	CUSTOM CUT LENGTH: SUPPLIED WITH 2X MOUNTING CLIPS PER METRE + 2X END CAPS PER LENGTH
	<b>HCP-4111506-3M</b>	3 METRE LENGTH: SUPPLIED WITH 6X MOUNTING CLIPS + 6X END CAPS

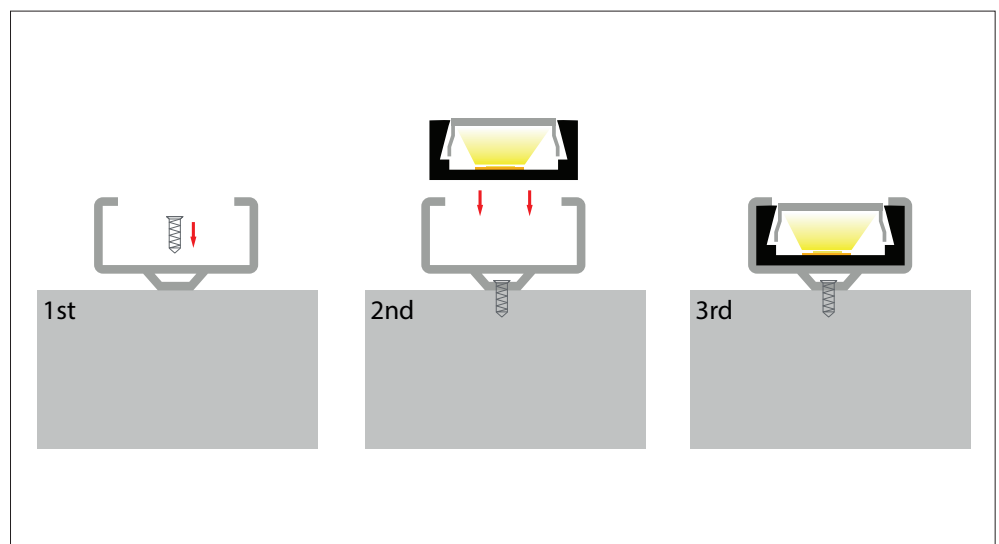
## MEASUREMENTS



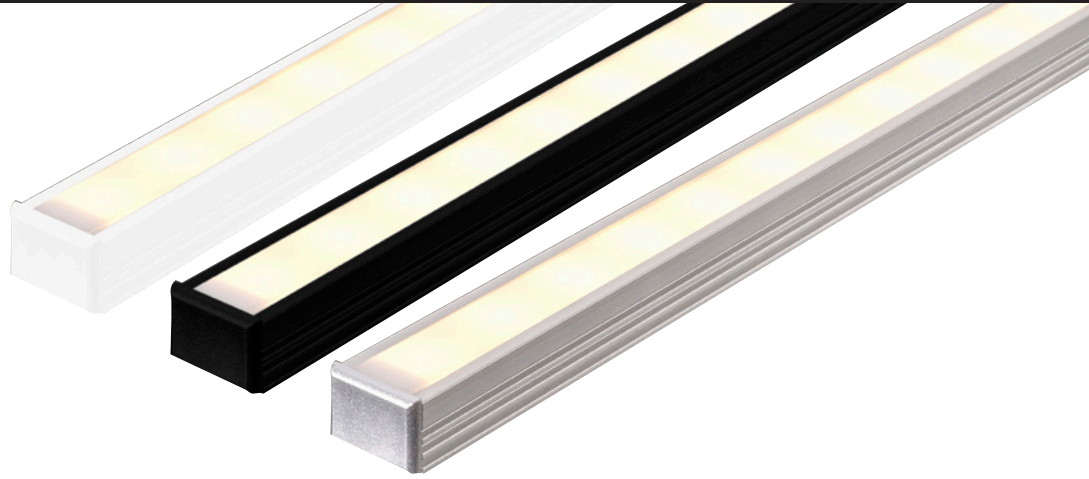
## MOUNTING CLIPS



## SAMPLE INSTALLATION METHOD

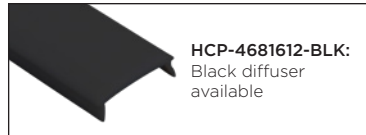


# 16MM X 12MM SURFACE MOUNTED ALUMINIUM PROFILE





## PRODUCT DATA

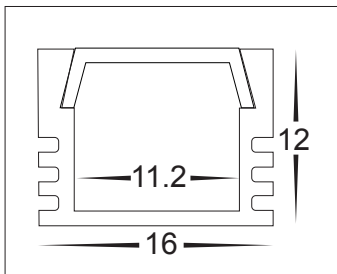
16MM X 12MM	
MATERIAL	ALUMINIUM
COLOUR/FINISH	SILVER, MATT BLACK OR MATT WHITE
AVAILABLE LENGTHS	UP TO 3000MM CONTINUOUS
LED STRIP TYPE	UP TO 10MM (W) X 3MM (H)
DIFFUSER TYPE	PC STANDARD
IP RATING	IP20



## PRODUCT ORDERING

ALUMINIUM SILVER		
	<b>HCP-4111612</b>	CUSTOM CUT LENGTH: SUPPLIED WITH 2X MOUNTING CLIPS PER METRE + 2X END CAPS PER LENGTH
	<b>HCP-4111612-3M</b>	3 METRE LENGTH: SUPPLIED WITH 6X MOUNTING CLIPS + 6X END CAPS
ALUMINIUM BLACK		
	<b>HCP-4121612</b>	CUSTOM CUT LENGTH: SUPPLIED WITH 2X MOUNTING CLIPS PER METRE + 2X END CAPS PER LENGTH
	<b>HCP-4121612-3M</b>	3 METRE LENGTH: SUPPLIED WITH 6X MOUNTING CLIPS + 6X END CAPS
ALUMINIUM WHITE		
	<b>HCP-4131612</b>	CUSTOM CUT LENGTH: SUPPLIED WITH 2X MOUNTING CLIPS PER METRE + 2X END CAPS PER LENGTH
	<b>HCP-4131612-3M</b>	3 METRE LENGTH: SUPPLIED WITH 6X MOUNTING CLIPS + 6X END CAPS

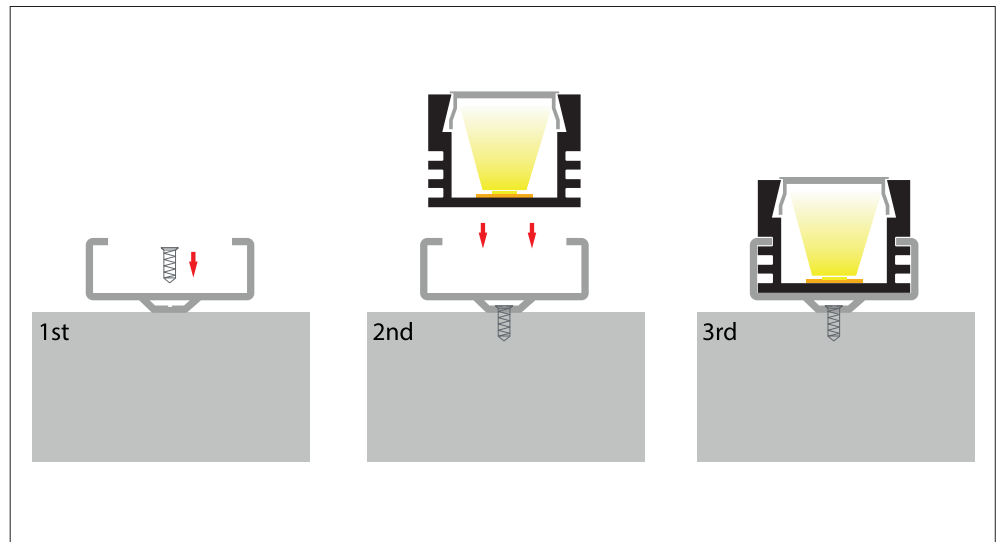
## MEASUREMENTS



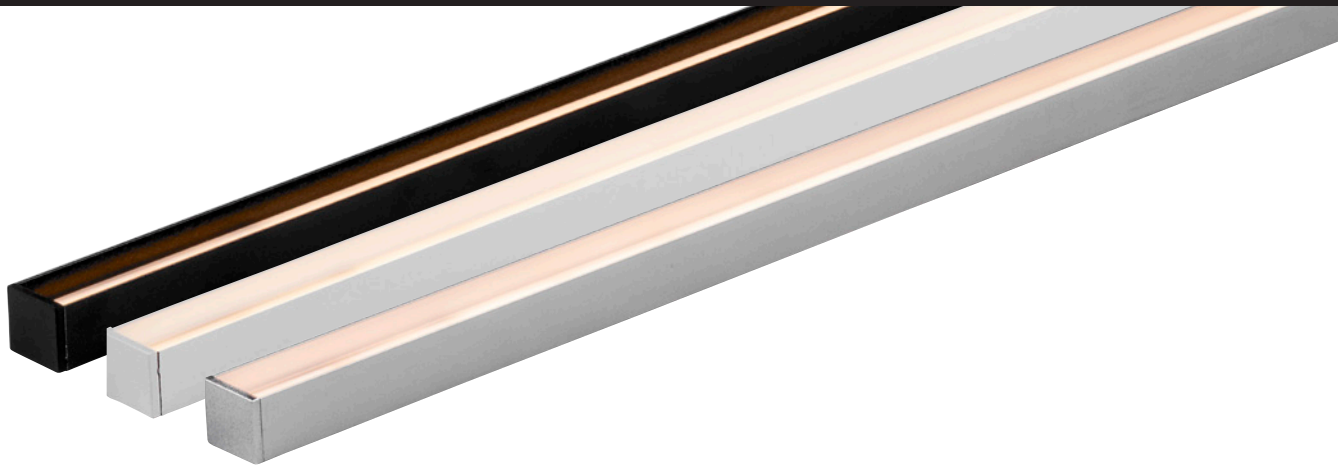
## MOUNTING CLIPS



## SAMPLE INSTALLATION METHOD

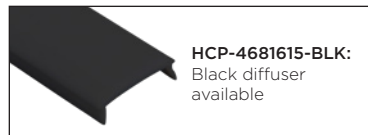


# 16MM X 15MM SURFACE MOUNTED PROFILE



## PRODUCT DATA

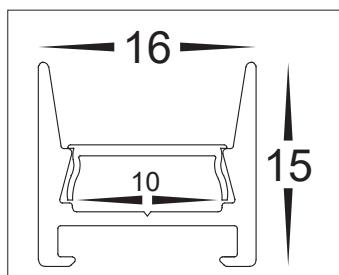
16MM X 15MM	
MATERIAL	ALUMINIUM
COLOUR/FINISH	SILVER, MATT BLACK OR MATT WHITE
AVAILABLE LENGTHS	UP TO 3000MM CONTINUOUS
LED STRIP TYPE	UP TO 10MM (W) X 3MM (W)
DIFFUSER TYPE	PC STANDARD
IP RATING	IP20



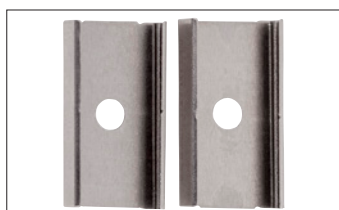
## PRODUCT ORDERING

ALUMINIUM SILVER		
	<b>HCP-4111615</b>	CUSTOM CUT LENGTH: SUPPLIED WITH 2X END CAPS PER LENGTH
	<b>HCP-4111615-3M</b>	3 METRE LENGTH: SUPPLIED WITH 6X END CAPS
ALUMINIUM BLACK		
	<b>HCP-4121615</b>	CUSTOM CUT LENGTH: SUPPLIED WITH 2X END CAPS PER LENGTH
	<b>HCP-4121615-3M</b>	3 METRE LENGTH: SUPPLIED WITH 6X END CAPS
ALUMINIUM WHITE		
	<b>HCP-4131615</b>	CUSTOM CUT LENGTH: SUPPLIED WITH 2X END CAPS PER LENGTH
	<b>HCP-4131615-3M</b>	3 METRE LENGTH: SUPPLIED WITH 6X END CAPS

## MEASUREMENTS

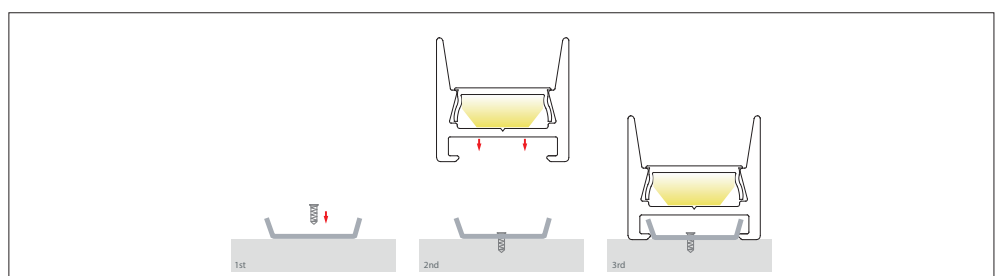


## MOUNTING CLIPS

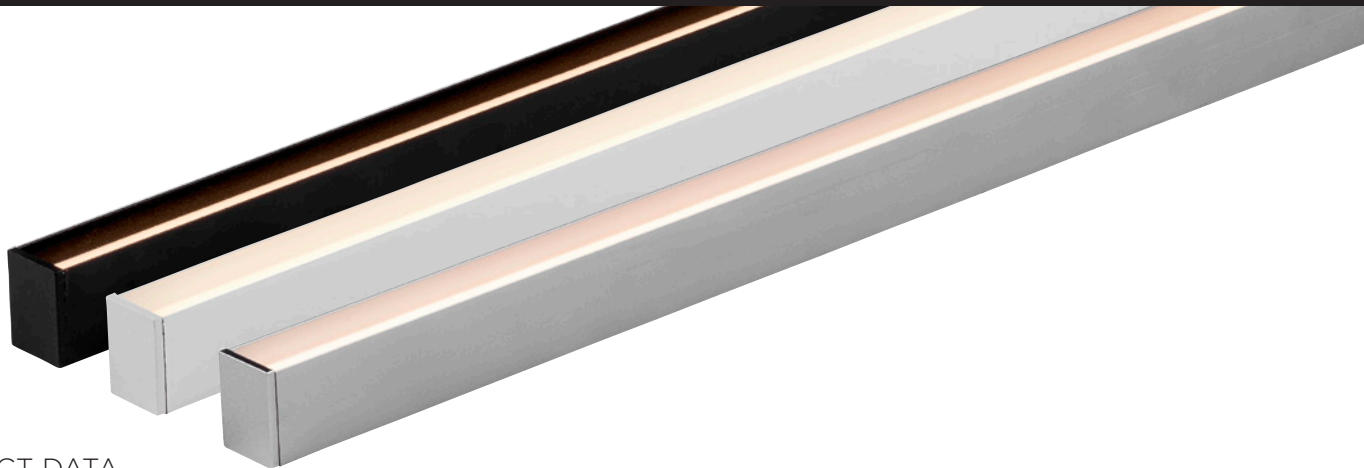


JOINERS + MOUNTING CLIPS		
	<b>HCP-4501615-JOINER</b>	STRAIGHT JOINER
	<b>HCP-4501615-LJOINER</b>	L SHAPE JOINER
	<b>HCP-4501615-VJOINER</b>	VERTICAL L SHAPE JOINER
	<b>HCP-4501615-MGC</b>	2X MAGNETIC MOUNTING CLIPS

## SAMPLE INSTALLATION METHOD



# 16MM X 22MM SURFACE MOUNTED PROFILE



## PRODUCT DATA

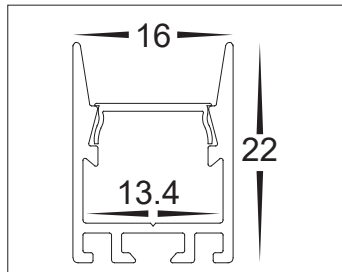
16MM X 22MM	
MATERIAL	ALUMINIUM
COLOUR/FINISH	SILVER, MATT BLACK OR MATT WHITE
AVAILABLE LENGTHS	UP TO 3000MM CONTINUOUS
LED STRIP TYPE	UP TO 13MM (W) X 3MM (W)
DIFFUSER TYPE	PC STANDARD
IP RATING	IP20



## PRODUCT ORDERING

ALUMINIUM SILVER		
	<b>HCP-4111622</b>	CUSTOM CUT LENGTH: SUPPLIED WITH 2X END CAPS PER LENGTH
	<b>HCP-4111622-3M</b>	3 METRE LENGTH: SUPPLIED WITH 6X END CAPS
ALUMINIUM BLACK		
	<b>HCP-4121622</b>	CUSTOM CUT LENGTH: SUPPLIED WITH 2X END CAPS PER LENGTH
	<b>HCP-4121622-3M</b>	3 METRE LENGTH: SUPPLIED WITH 6X END CAPS
ALUMINIUM WHITE		
	<b>HCP-4131622</b>	CUSTOM CUT LENGTH: SUPPLIED WITH 2X END CAPS PER LENGTH
	<b>HCP-4131622-3M</b>	3 METRE LENGTH: SUPPLIED WITH 6X END CAPS

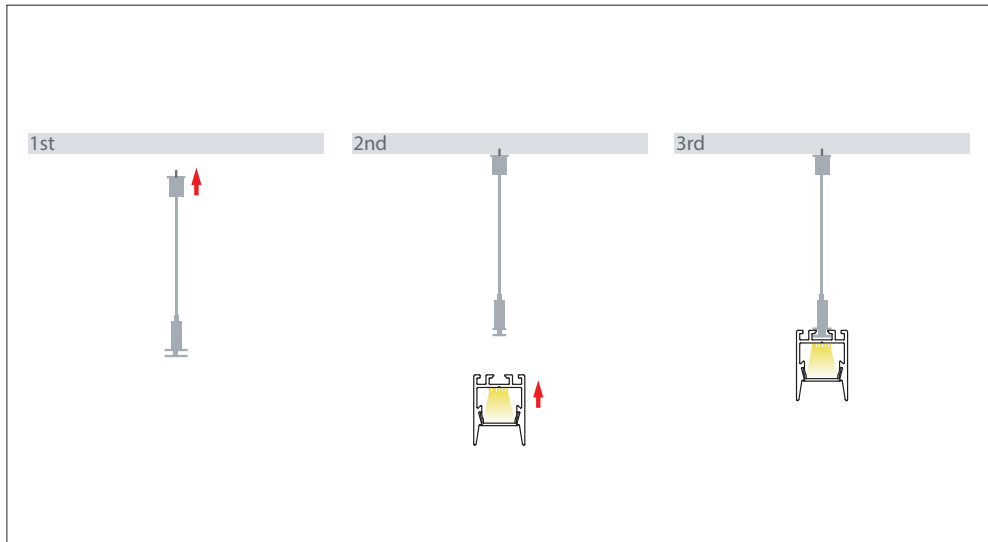
## MEASUREMENTS



## SUSPENSION KIT



## SAMPLE INSTALLATION METHOD



14  
ALUMINIUM PROFILE

# 18MM X 9MM SURFACE MOUNTED ALUMINIUM PROFILE






## PRODUCT DATA

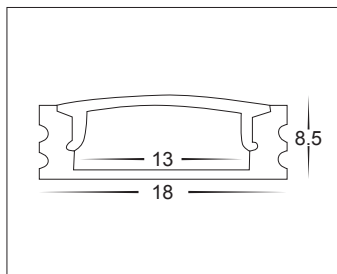
18MM X 9MM	
MATERIAL	ALUMINIUM
COLOUR/FINISH	SILVER, MATT BLACK OR MATT WHITE
AVAILABLE LENGTHS	UP TO 3000MM CONTINUOUS
LED STRIP TYPE	UP TO 12MM (W) X 3MM (H)
DIFFUSER TYPE	PC STANDARD
IP RATING	IP20



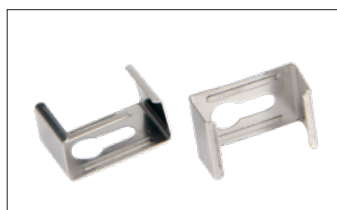
## PRODUCT ORDERING

ALUMINIUM SILVER		
	<b>HCP-4111707</b>	CUSTOM CUT LENGTH: SUPPLIED WITH 2X MOUNTING CLIPS PER METRE + 2X END CAPS PER LENGTH
	<b>HCP-4111707-3M</b>	3 METRE LENGTH: SUPPLIED WITH 6X MOUNTING CLIPS + 6X END CAPS
ALUMINIUM BLACK		
	<b>HCP-4121707</b>	CUSTOM CUT LENGTH: SUPPLIED WITH 2X MOUNTING CLIPS PER METRE + 2X END CAPS PER LENGTH
	<b>HCP-4121707-3M</b>	3 METRE LENGTH: SUPPLIED WITH 6X MOUNTING CLIPS + 6X END CAPS
ALUMINIUM WHITE		
	<b>HCP-4131707</b>	CUSTOM CUT LENGTH: SUPPLIED WITH 2X MOUNTING CLIPS PER METRE + 2X END CAPS PER LENGTH
	<b>HCP-4131707-3M</b>	3 METRE LENGTH: SUPPLIED WITH 6X MOUNTING CLIPS + 6X END CAPS

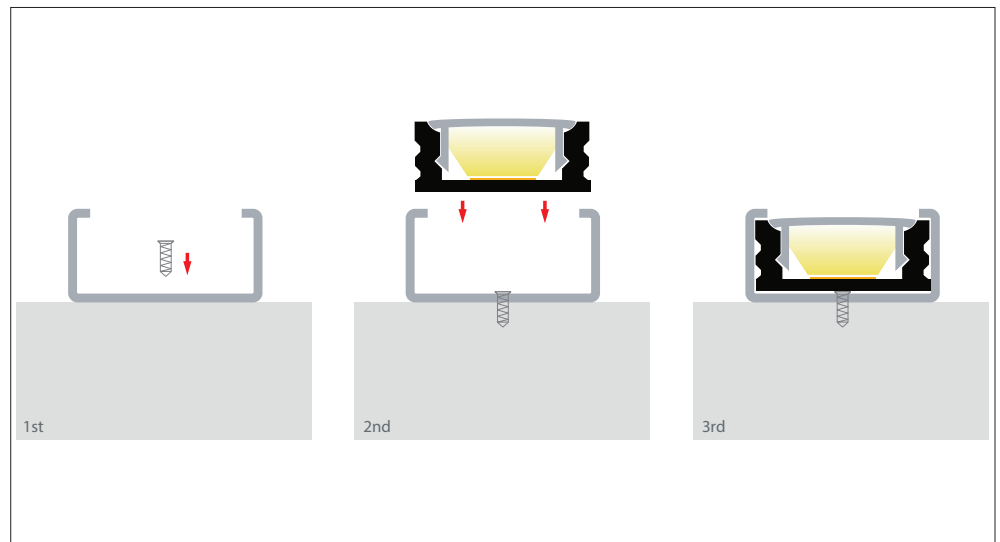
## MEASUREMENTS



## MOUNTING CLIPS

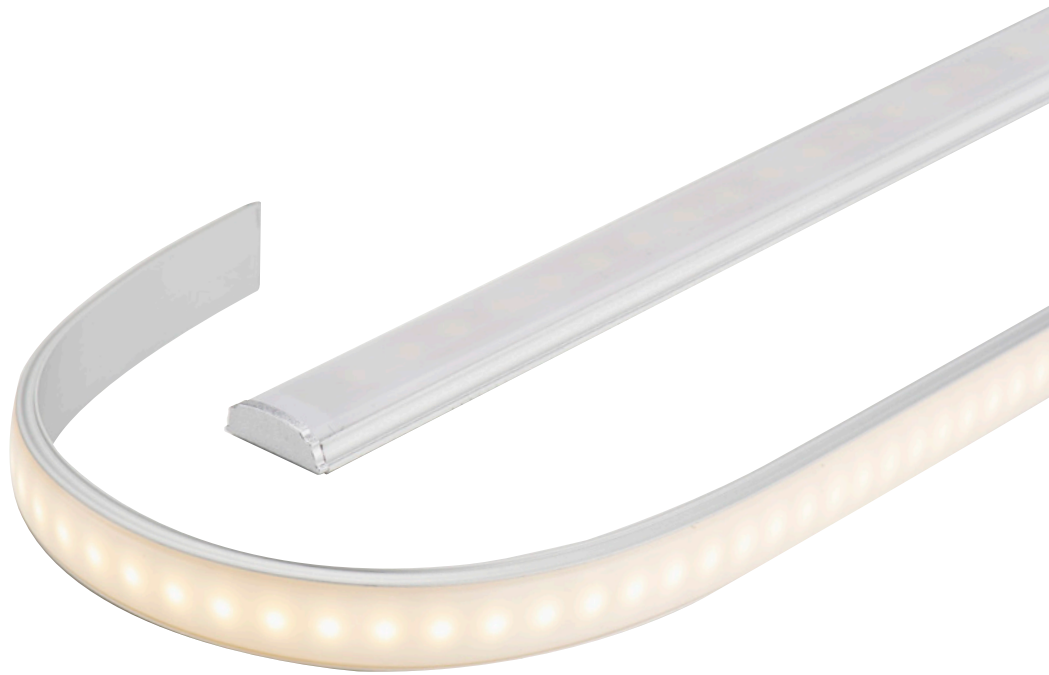


## SAMPLE INSTALLATION METHOD



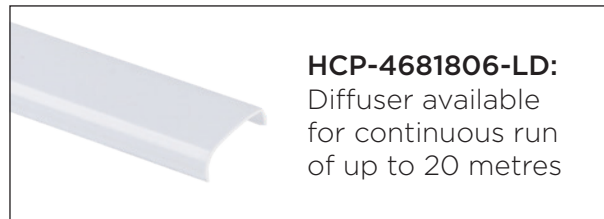


# 18MM X 6MM BENDABLE ALUMINIUM PROFILE



## PRODUCT DATA

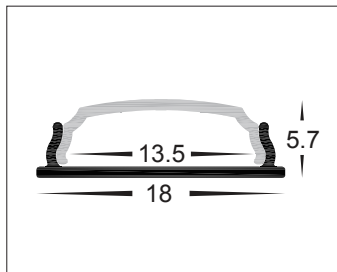
18MM X 6MM	
MATERIAL	ALUMINIUM
COLOUR/FINISH	SILVER
AVAILABLE LENGTHS	UP TO 3000MM CONTINUOUS
LED STRIP TYPE	UP TO 12MM (W) X 3MM (H)
DIFFUSER TYPE	PC STANDARD
IP RATING	IP20



## PRODUCT ORDERING

ALUMINIUM SILVER		
	<b>HCP-4111806</b>	CUSTOM CUT LENGTH: SUPPLIED WITH 2X MOUNTING CLIPS PER METRE + 2X END CAPS PER LENGTH
	<b>HCP-4111806-3M</b>	3 METRE LENGTH: SUPPLIED WITH 6X MOUNTING CLIPS + 6X END CAPS

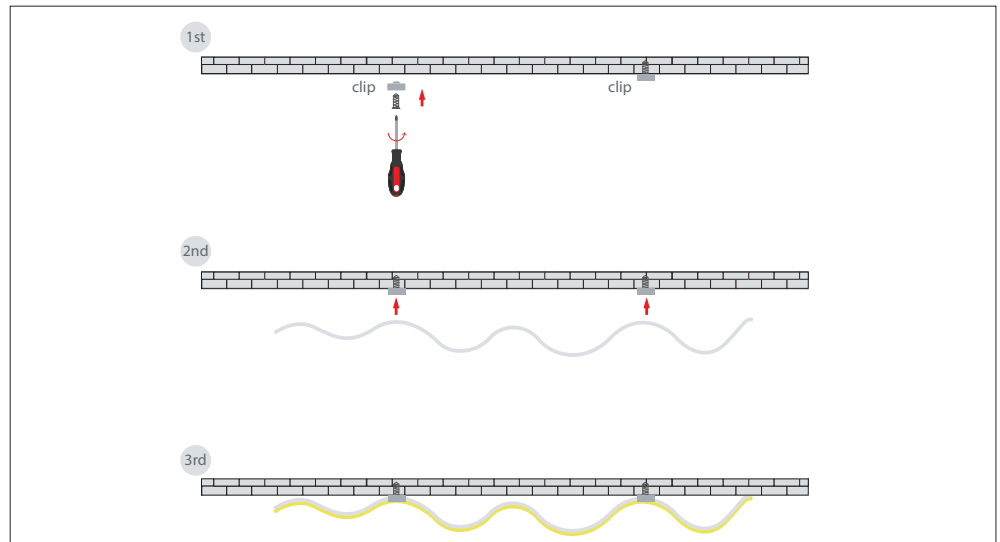
## MEASUREMENTS



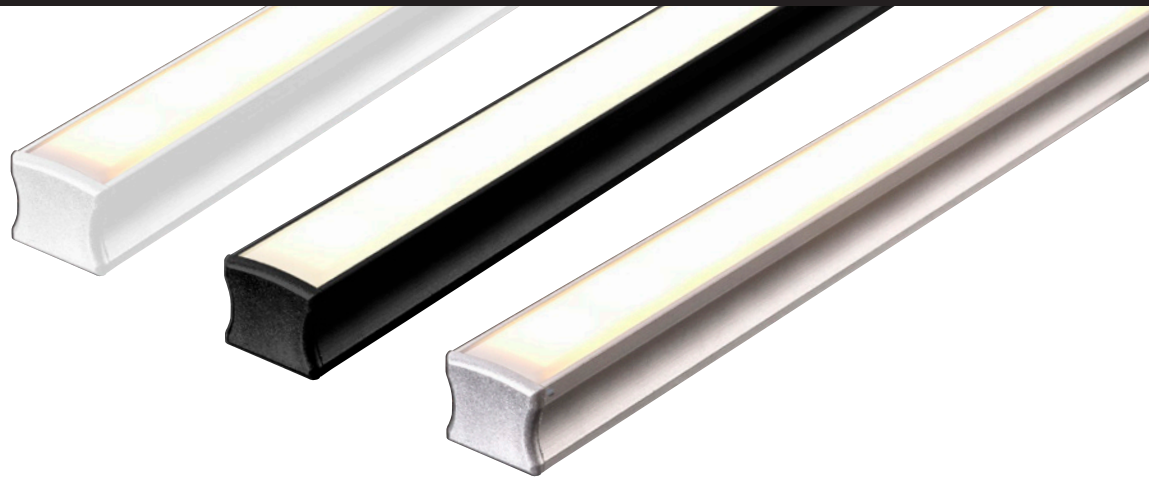
## MOUNTING CLIPS



## SAMPLE INSTALLATION METHOD



# 18MM X 16MM SURFACE MOUNTED ALUMINIUM PROFILE






## PRODUCT DATA

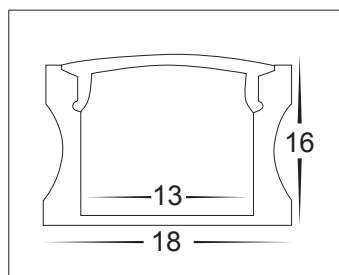
18MM X 16MM	
MATERIAL	ALUMINIUM
COLOUR/FINISH	SILVER, MATT BLACK OR MATT WHITE
AVAILABLE LENGTHS	UP TO 3000MM CONTINUOUS
LED STRIP TYPE	UP TO 12MM (W) X 3MM (H)
DIFFUSER TYPE	PC STANDARD
IP RATING	IP20



## PRODUCT ORDERING

ALUMINIUM SILVER		
	<b>HCP-4111815</b>	CUSTOM CUT LENGTH: SUPPLIED WITH 2X MOUNTING CLIPS PER METRE + 2X END CAPS PER LENGTH
	<b>HCP-4111815-3M</b>	3 METRE LENGTH: SUPPLIED WITH 6X MOUNTING CLIPS + 6X END CAPS
ALUMINIUM BLACK		
	<b>HCP-4121815</b>	CUSTOM CUT LENGTH: SUPPLIED WITH 2X MOUNTING CLIPS PER METRE + 2X END CAPS PER LENGTH
	<b>HCP-4121815-3M</b>	3 METRE LENGTH: SUPPLIED WITH 6X MOUNTING CLIPS + 6X END CAPS
ALUMINIUM WHITE		
	<b>HCP-4131815</b>	CUSTOM CUT LENGTH: SUPPLIED WITH 2X MOUNTING CLIPS PER METRE + 2X END CAPS PER LENGTH
	<b>HCP-4131815-3M</b>	3 METRE LENGTH: SUPPLIED WITH 6X MOUNTING CLIPS + 6X END CAPS

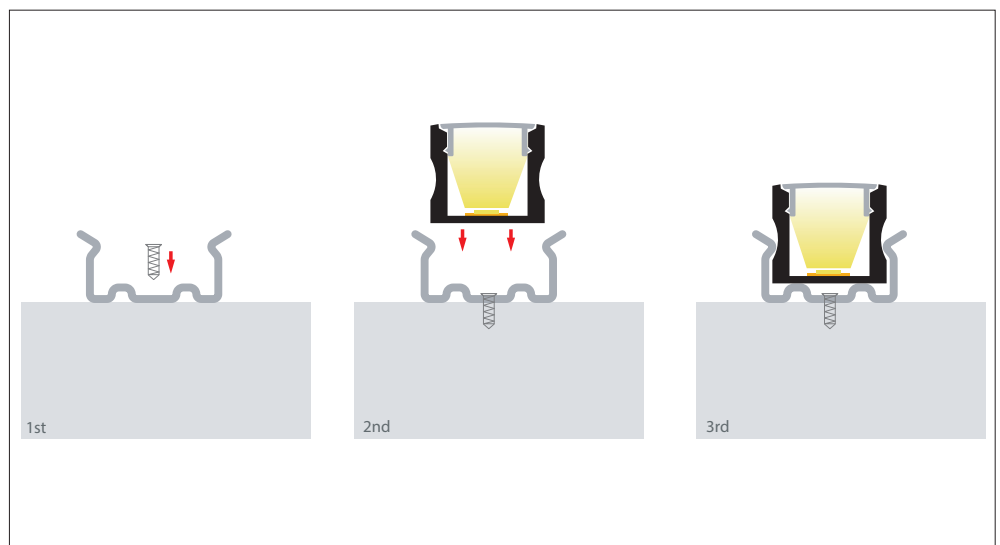
## MEASUREMENTS



## MOUNTING CLIPS



## SAMPLE INSTALLATION METHOD



# 20MM X 14MM SURFACE MOUNTED ALUMINIUM PROFILE



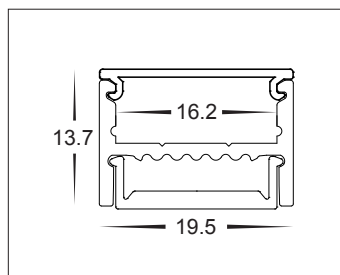
## PRODUCT DATA

20MM X 14MM	
MATERIAL	ALUMINIUM
COLOUR/FINISH	SILVER
AVAILABLE LENGTHS	UP TO 3000MM CONTINUOUS
LED STRIP TYPE	UP TO 16MM (W) X 3MM (H)
DIFFUSER TYPE	PC STANDARD
IP RATING	IP20

## PRODUCT ORDERING

ALUMINIUM SILVER		
	<b>HCP-4111922</b>	CUSTOM CUT LENGTH: SUPPLIED WITH 2X END CAPS PER LENGTH
	<b>HCP-4111922-3M</b>	3 METRE LENGTH: SUPPLIED WITH 6X END CAPS

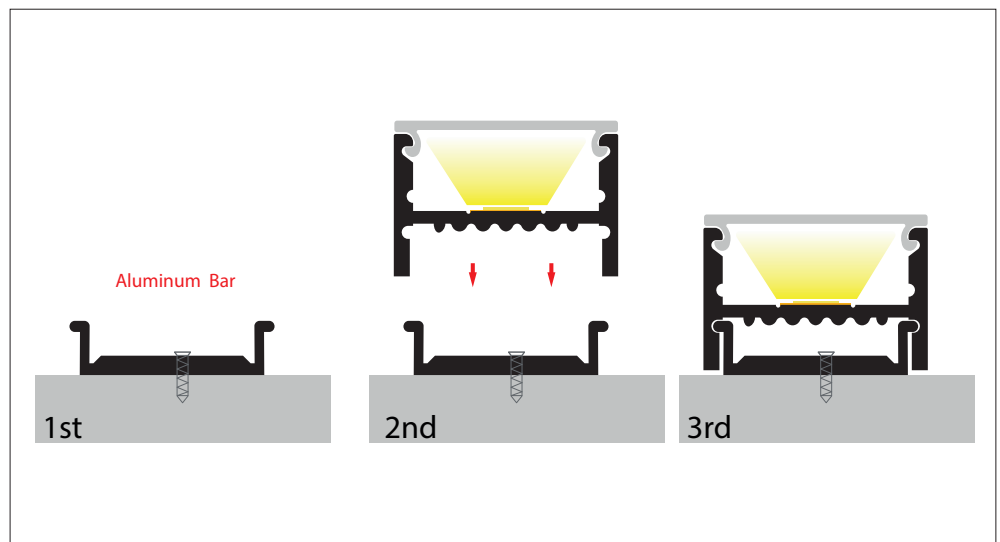
## MEASUREMENTS



## MOUNTING CLIPS

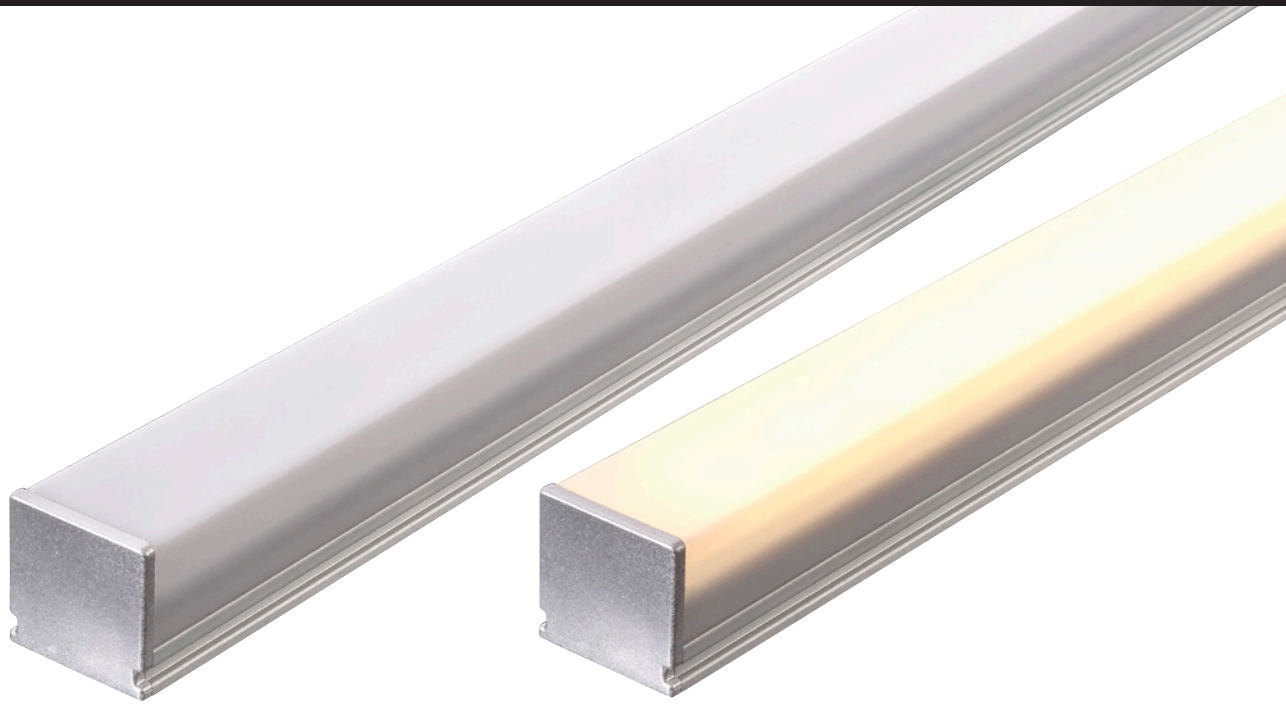
Supplied with Aluminium Mounting Bar

## SAMPLE INSTALLATION METHOD



14  
ALUMINIUM PROFILE

# 21MM X 21MM SURFACE MOUNTED ALUMINIUM PROFILE



## PRODUCT DATA

21MM X 21MM	
MATERIAL	ALUMINIUM
COLOUR/FINISH	SILVER
AVAILABLE LENGTHS	UP TO 3000MM CONTINUOUS
LED STRIP TYPE	UP TO 16MM (W) X 6MM (H)
DIFFUSER TYPE	PC STANDARD
IP RATING	IP20

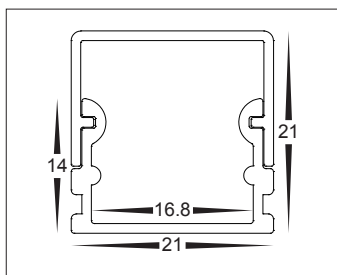
*Powder Coating Available\**



## PRODUCT ORDERING

ALUMINIUM SILVER		
	<b>HCP-4112114</b>	CUSTOM CUT LENGTH: SUPPLIED WITH 2X MOUNTING CLIPS PER METRE + 2X END CAPS PER LENGTH
	<b>HCP-4112114-3M</b>	3 METRE LENGTH: SUPPLIED WITH 6X MOUNTING CLIPS + 6X END CAPS

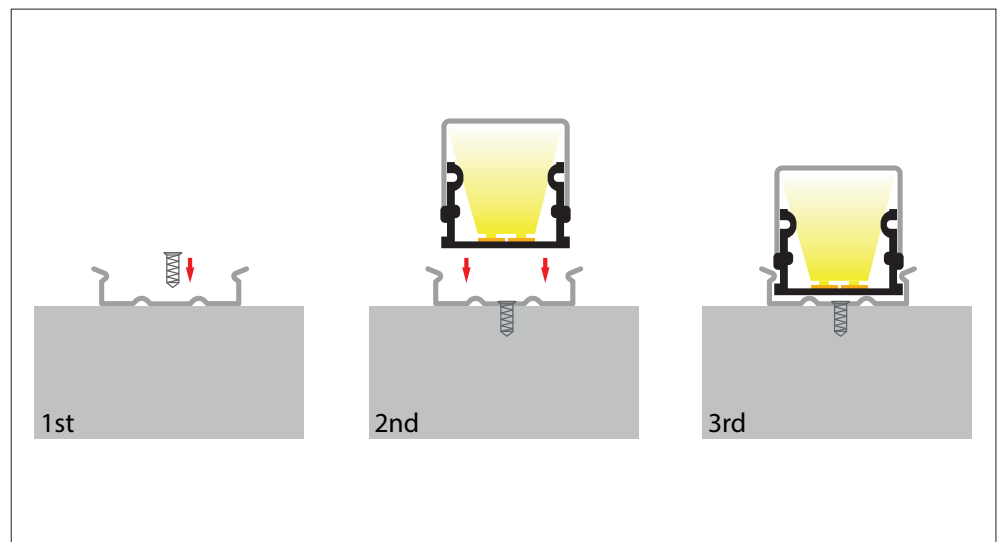
## MEASUREMENTS



## MOUNTING CLIPS



## SAMPLE INSTALLATION METHOD



# 20MM X 23MM SURFACE MOUNTED ALUMINIUM PROFILE



## PRODUCT DATA

20MM X 23MM	
MATERIAL	ALUMINIUM
COLOUR/FINISH	SILVER
AVAILABLE LENGTHS	UP TO 3000MM CONTINUOUS
LED STRIP TYPE	UP TO 16MM (W) X 6MM (H)
DIFFUSER TYPE	PC STANDARD
IP RATING	IP20

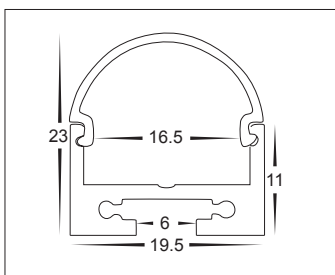
Powder Coating Available\*



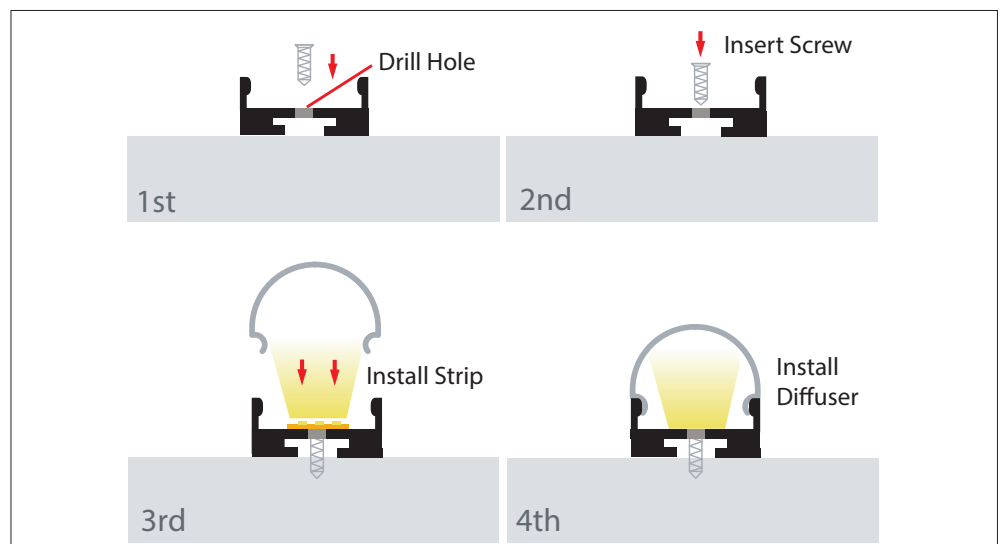
## PRODUCT ORDERING

ALUMINIUM SILVER		
	<b>HCP-4112119</b>	CUSTOM CUT LENGTH: SUPPLIED WITH 2X END CAPS PER LENGTH
	<b>HCP-4112119-3M</b>	3 METRE LENGTH: SUPPLIED WITH 6X END CAPS

## MEASUREMENTS



## SAMPLE INSTALLATION METHOD

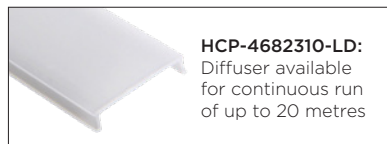
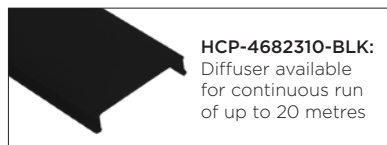


# 23MM X 10MM SURFACE MOUNTED ALUMINIUM PROFILE



## PRODUCT DATA

23MM X 10MM	
MATERIAL	ALUMINIUM
COLOUR/FINISH	SILVER OR MATT BLACK
AVAILABLE LENGTHS	UP TO 3000MM CONTINUOUS
LED STRIP TYPE	UP TO 20MM (W) X 4MM (H)
DIFFUSER TYPE	PC STANDARD
IP RATING	IP20



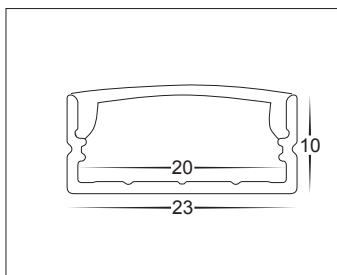
Powder Coating Available\*



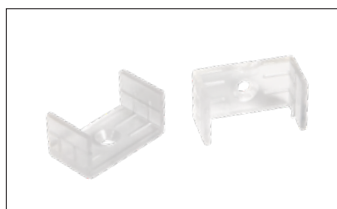
## PRODUCT ORDERING

ALUMINIUM SILVER		
	<b>HCP-4112310</b>	CUSTOM CUT LENGTH: SUPPLIED WITH 2X MOUNTING CLIPS PER METRE + 2X END CAPS PER LENGTH
	<b>HCP-4112310-3M</b>	3 METRE LENGTH: SUPPLIED WITH 6X MOUNTING CLIPS + 6X END CAPS
ALUMINIUM BLACK		
	<b>HCP-4122310</b>	CUSTOM CUT LENGTH: SUPPLIED WITH 2X MOUNTING CLIPS PER METRE + 2X END CAPS PER LENGTH
	<b>HCP-4122310-3M</b>	3 METRE LENGTH: SUPPLIED WITH 6X MOUNTING CLIPS + 6X END CAPS

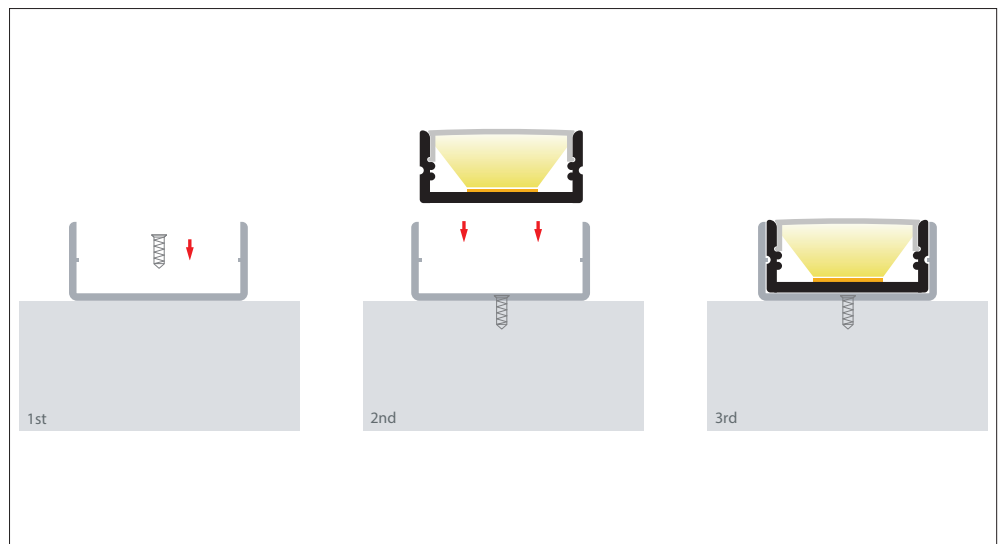
## MEASUREMENTS



## MOUNTING CLIPS



## SAMPLE INSTALLATION METHOD



\*Colour will vary from colour shown, additional charges will apply.

# 23MM X 28MM SURFACE MOUNTED ALUMINIUM PROFILE



Powder Coating Available\*



## PRODUCT DATA

23MM X 28MM	
MATERIAL	ALUMINIUM
COLOUR/FINISH	SILVER
AVAILABLE LENGTHS	UP TO 3000MM CONTINUOUS
LED STRIP TYPE	UP TO 19MM (W) X 6MM (H)
DIFFUSER TYPE	PC STANDARD
IP RATING	IP20

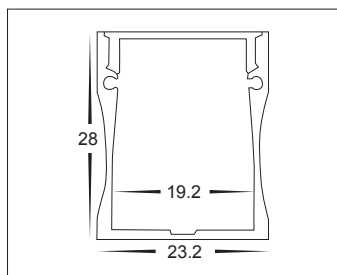


**HCP-4682320-LD:**  
Diffuser available for continuous run of up to 20 metres

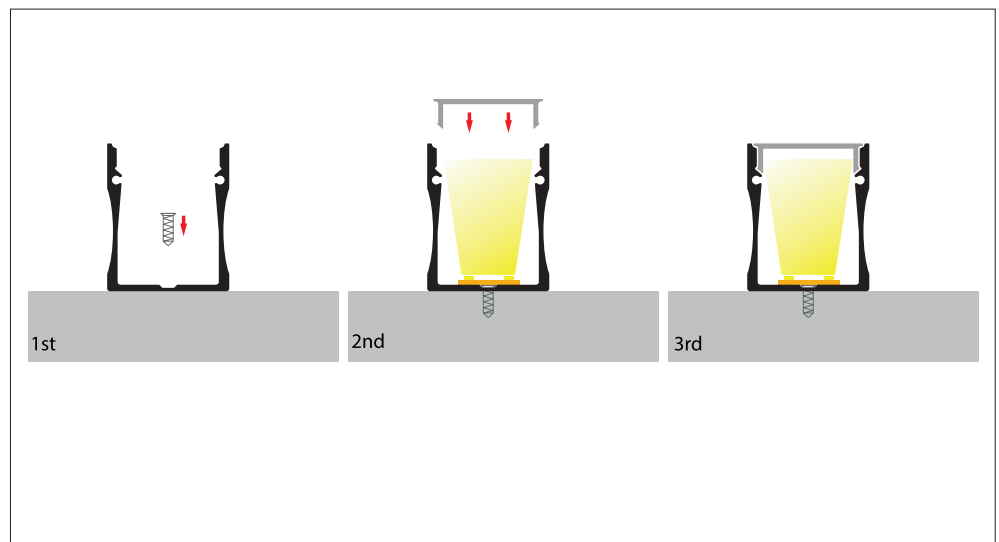
## PRODUCT ORDERING

ALUMINIUM SILVER		
	<b>HCP-4112320</b>	CUSTOM CUT LENGTH: SUPPLIED WITH 2X END CAPS PER LENGTH
	<b>HCP-4112320-3M</b>	3 METRE LENGTH: SUPPLIED WITH 6X END CAPS

## MEASUREMENTS



## SAMPLE INSTALLATION METHOD



\*Colour will vary from colour shown, additional charges will apply.

# 26MM X 23MM SURFACE MOUNTED ALUMINIUM PROFILE



## PRODUCT DATA

26MM X 23MM	
MATERIAL	ALUMINIUM
COLOUR/FINISH	SILVER
AVAILABLE LENGTHS	UP TO 3000MM CONTINUOUS
LED STRIP TYPE	UP TO 16MM (W) X 6MM (H)
DIFFUSER TYPE	PC STANDARD
IP RATING	IP20

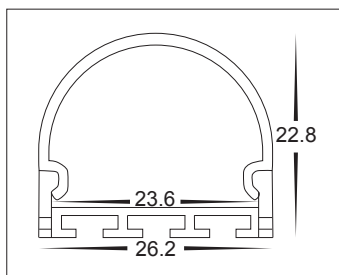
Powder Coating Available\*



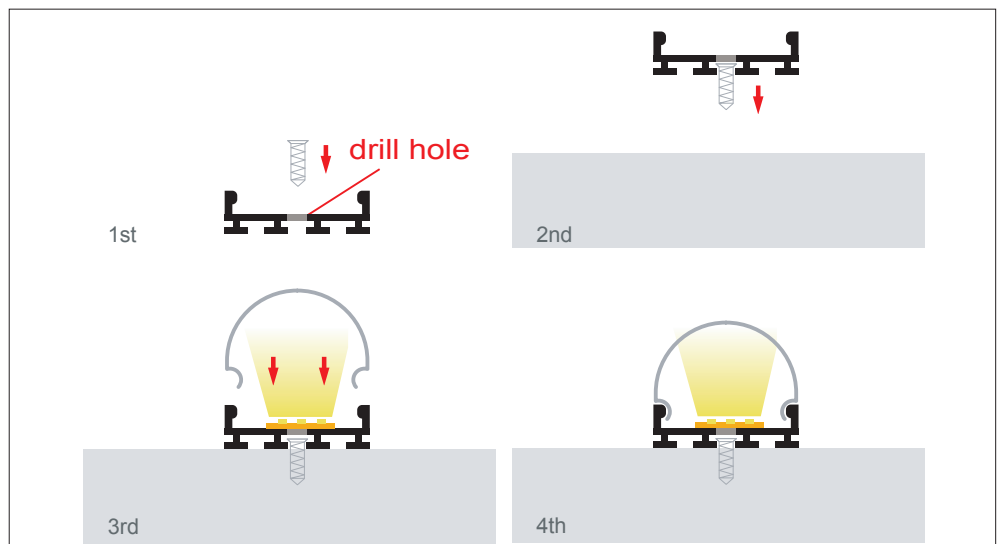
## PRODUCT ORDERING

ALUMINIUM SILVER		
	<b>HCP-4112618</b>	CUSTOM CUT LENGTH: SUPPLIED WITH 2X END CAPS PER LENGTH
	<b>HCP-4112618-3M</b>	3 METRE LENGTH: SUPPLIED WITH 6X END CAPS

## MEASUREMENTS



## SAMPLE INSTALLATION METHOD





# 45MM X 12MM SURFACE MOUNTED ALUMINIUM PROFILE



Powder Coating Available\*



## PRODUCT DATA

45MM X 12MM	
MATERIAL	ALUMINIUM
COLOUR/FINISH	SILVER
AVAILABLE LENGTHS	UP TO 3000MM CONTINUOUS
LED STRIP TYPE	UP TO 35MM (W) X 3MM (H)
DIFFUSER TYPE	PC STANDARD
IP RATING	IP20

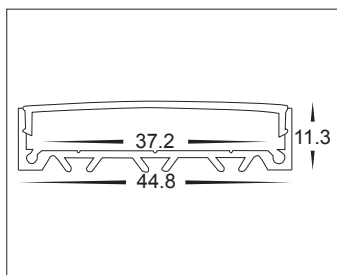


**HCP-4684511-LD:**  
Diffuser available for continuous run of up to 20 metres

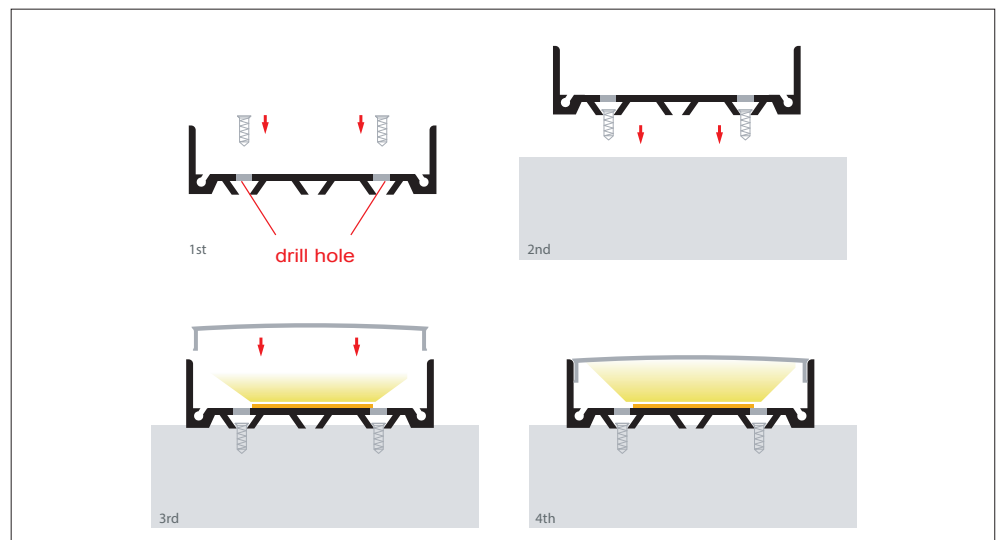
## PRODUCT ORDERING

ALUMINIUM SILVER		
	<b>HCP-4114511</b>	CUSTOM CUT LENGTH: SUPPLIED WITH 2X END CAPS PER LENGTH
	<b>HCP-4114511-3M</b>	3 METRE LENGTH: SUPPLIED WITH 6X END CAPS

## MEASUREMENTS



## SAMPLE INSTALLATION METHOD



# 80MM X 35MM SURFACE MOUNTED ALUMINIUM PROFILE



Powder Coating Available\*



## PRODUCT DATA

80MM X 35MM	
MATERIAL	ALUMINIUM
COLOUR/FINISH	SILVER
AVAILABLE LENGTHS	UP TO 3000MM CONTINUOUS
LED STRIP TYPE	UP TO 40MM (W) X 6MM (H)
DIFFUSER TYPE	PC STANDARD
IP RATING	IP20

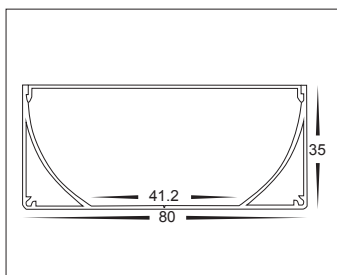


**HCP-4688035-LD:**  
Diffuser available for continuous run of up to 20 metres

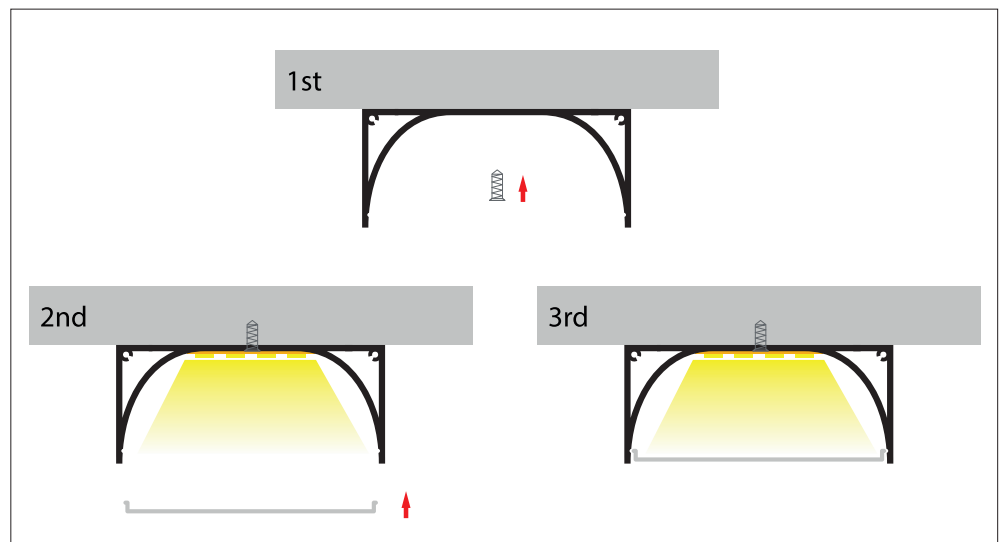
## PRODUCT ORDERING

ALUMINIUM SILVER		
	<b>HCP-4118035</b>	CUSTOM CUT LENGTH: SUPPLIED WITH 2X END CAPS PER LENGTH
	<b>HCP-4118035-3M</b>	3 METRE LENGTH: SUPPLIED WITH 6X END CAPS

## MEASUREMENTS



## SAMPLE INSTALLATION METHOD



\*Colour will vary from colour shown, additional charges will apply.

# 19MM X 8MM FOOT TRAFFICABLE ALUMINIUM PROFILE



## PRODUCT DATA

19MM X 8MM	
MATERIAL	ALUMINIUM
COLOUR/FINISH	SILVER
AVAILABLE LENGTHS	UP TO 3000MM CONTINUOUS
LED STRIP TYPE	UP TO 10MM (W) X 3MM (H)
DIFFUSER TYPE	PC STANDARD
IP RATING	IP20

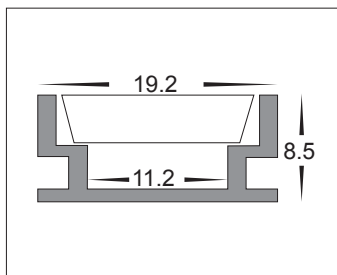
Powder Coating Available\*



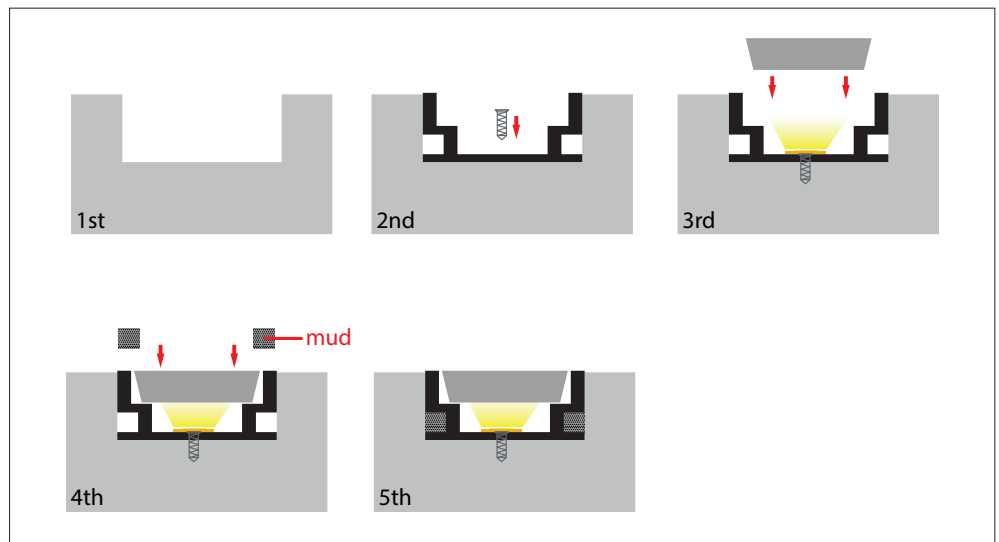
## PRODUCT ORDERING

ALUMINIUM SILVER		
	<b>HCP-4111908</b>	CUSTOM CUT LENGTH: SUPPLIED WITH 2X END CAPS PER LENGTH
	<b>HCP-4111908-3M</b>	3 METRE LENGTH: SUPPLIED WITH 6X END CAPS

## MEASUREMENTS



## SAMPLE INSTALLATION METHOD



# 26MM X 26MM FOOT TRAFFICABLE ALUMINIUM PROFILE



## PRODUCT DATA

26MM X 26MM	
MATERIAL	ALUMINIUM
COLOUR/FINISH	SILVER
AVAILABLE LENGTHS	UP TO 3000MM CONTINUOUS
LED STRIP TYPE	UP TO 12MM (W) X 3MM (H)
DIFFUSER TYPE	PC STANDARD
IP RATING	IP20

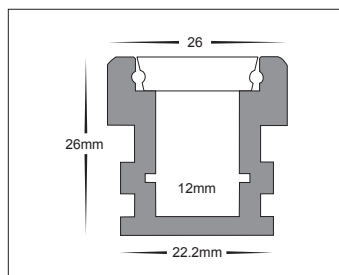
Powder Coating  
Available\*



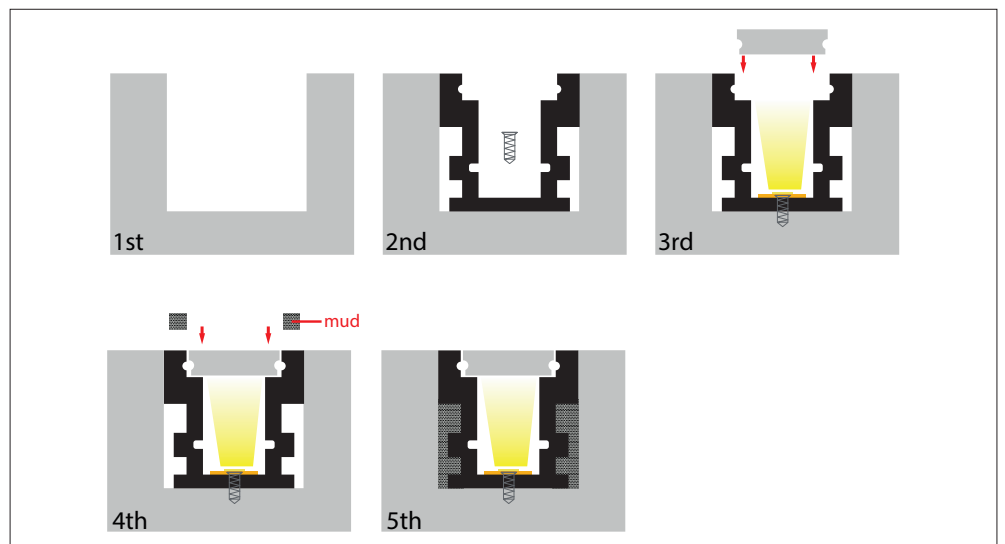
## PRODUCT ORDERING

ALUMINIUM SILVER		
	<b>HCP-4112626</b>	CUSTOM CUT LENGTH: SUPPLIED WITH 2X END CAPS PER LENGTH
	<b>HCP-4112626-3M</b>	3 METRE LENGTH: SUPPLIED WITH 6X END CAPS

## MEASUREMENTS



## SAMPLE INSTALLATION METHOD



# 10MM X 10MM CORNER ALUMINIUM PROFILE



## PRODUCT DATA

10MM X 10MM	
MATERIAL	ALUMINIUM
COLOUR/FINISH	SILVER
AVAILABLE LENGTHS	UP TO 3000MM CONTINUOUS
LED STRIP TYPE	UP TO 6MM (W) X 2MM (H)
DIFFUSER TYPE	PC STANDARD
IP RATING	IP20

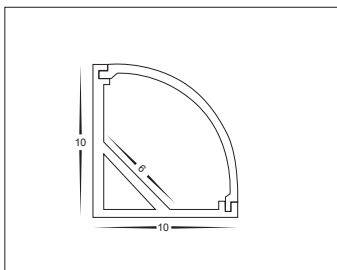
*Powder Coating Available\**



## PRODUCT ORDERING

ALUMINIUM SILVER		
	<b>HCP-4211010</b>	CUSTOM CUT LENGTH: SUPPLIED WITH 2X MOUNTING CLIPS PER METRE + 2X END CAPS PER LENGTH
	<b>HCP-4211010-3M</b>	3 METRE LENGTH: SUPPLIED WITH 6X MOUNTING CLIPS + 6X END CAPS

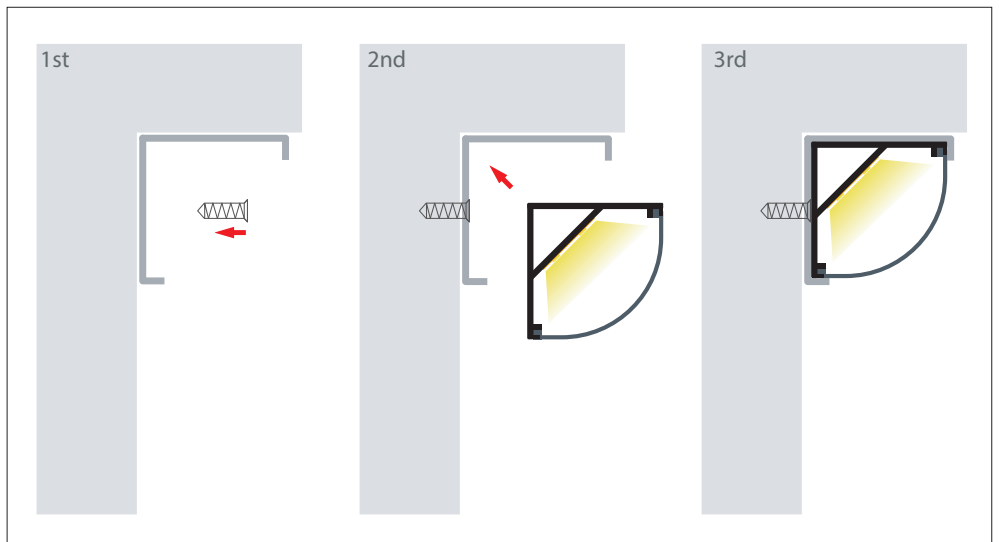
## MEASUREMENTS



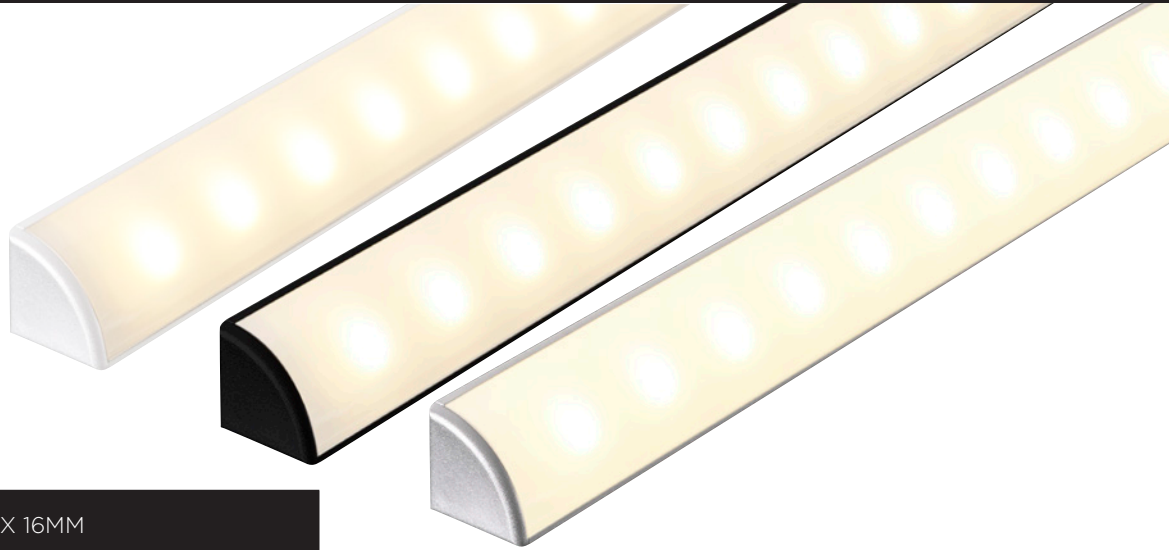
## MOUNTING CLIPS



## SAMPLE INSTALLATION METHOD

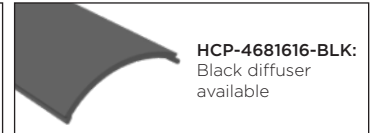


# 16MM X 16MM CORNER ALUMINIUM PROFILE






## PRODUCT DATA

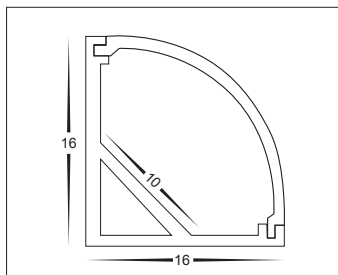
16MM X 16MM	
MATERIAL	ALUMINIUM
COLOUR/FINISH	SILVER, MATT BLACK OR MATT WHITE
AVAILABLE LENGTHS	UP TO 3000MM CONTINUOUS
LED STRIP TYPE	UP TO 10MM (W) X 3MM (H)
DIFFUSER TYPE	PC STANDARD
IP RATING	IP20



## PRODUCT ORDERING

ALUMINIUM SILVER		
	<b>HCP-4211616</b>	CUSTOM CUT LENGTH: SUPPLIED WITH 2X MOUNTING CLIPS PER METRE + 2X END CAPS PER LENGTH
	<b>HCP-4211616-3M</b>	3M LENGTH: SUPPLIED WITH 6X MOUNTING CLIPS + 6X END CAPS
ALUMINIUM BLACK		
	<b>HCP-4221616</b>	CUSTOM CUT LENGTH: SUPPLIED WITH 2X MOUNTING CLIPS PER METRE + 2X END CAPS PER LENGTH
	<b>HCP-4221616-3M</b>	3 METRE LENGTH: SUPPLIED WITH 6X MOUNTING CLIPS + 6X END CAPS
ALUMINIUM WHITE		
	<b>HCP-4231616</b>	CUSTOM CUT LENGTH: SUPPLIED WITH 2X MOUNTING CLIPS PER METRE + 2X END CAPS PER LENGTH
	<b>HCP-4231616-3M</b>	3 METRE LENGTH: SUPPLIED WITH 6X MOUNTING CLIPS + 6X END CAPS

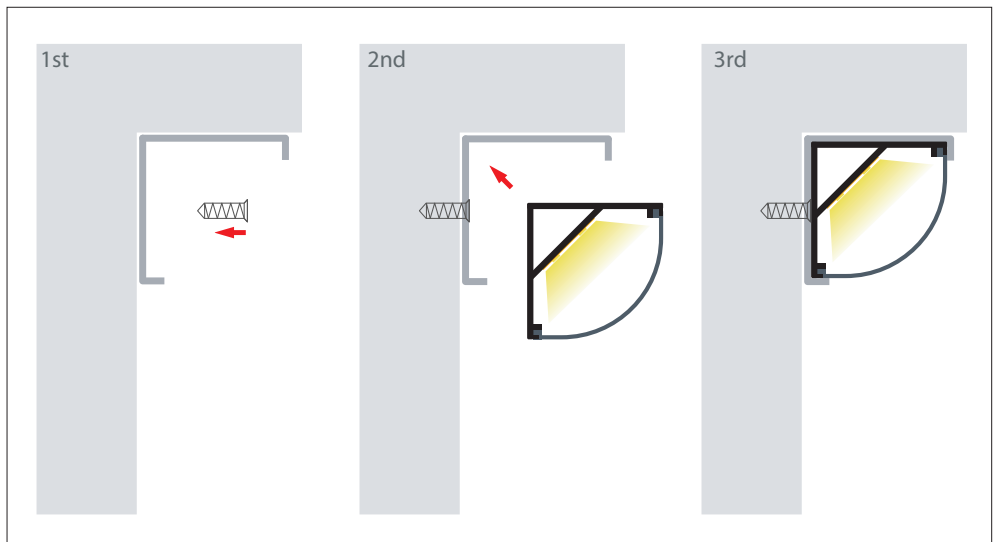
## MEASUREMENTS



## MOUNTING CLIPS



## SAMPLE INSTALLATION METHOD



# 20MM X 20MM CORNER ALUMINIUM PROFILE



## PRODUCT DATA

20MM X 20MM	
MATERIAL	ALUMINIUM
COLOUR/FINISH	SILVER
AVAILABLE LENGTHS	UP TO 3000MM CONTINUOUS
LED STRIP TYPE	UP TO 14MM (W) X 6MM (H)
DIFFUSER TYPE	PC STANDARD
IP RATING	IP20

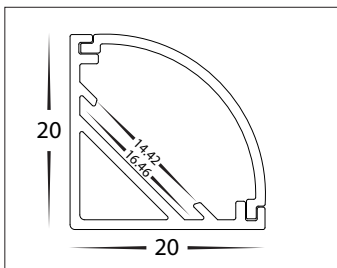
Powder Coating Available\*



## PRODUCT ORDERING

ALUMINIUM SILVER		
	<b>HCP-4212020</b>	CUSTOM CUT LENGTH: SUPPLIED WITH 2X MOUNTING CLIPS PER METRE + 2X END CAPS PER LENGTH
	<b>HCP-4212020-3M</b>	3M LENGTH: SUPPLIED WITH 6X MOUNTING CLIPS + 6X END CAPS

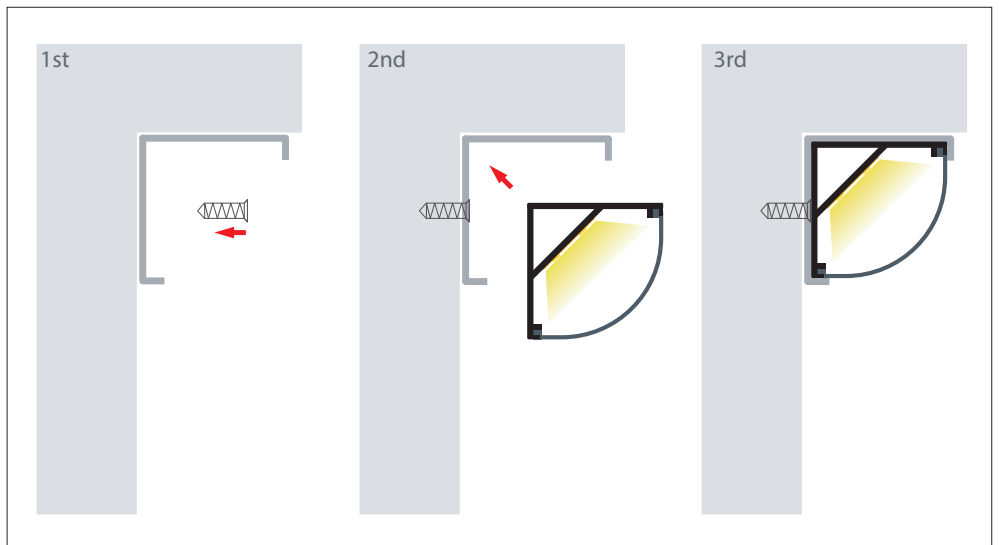
## MEASUREMENTS



## MOUNTING CLIPS



## SAMPLE INSTALLATION METHOD



# 30MM X 30MM CORNER ALUMINIUM PROFILE



## PRODUCT DATA

30MM X 30MM	
MATERIAL	ALUMINIUM
COLOUR/FINISH	SILVER
AVAILABLE LENGTHS	UP TO 3000MM CONTINUOUS
LED STRIP TYPE	UP TO 20MM (W) X 6MM (H)
DIFFUSER TYPE	PC STANDARD
IP RATING	IP20

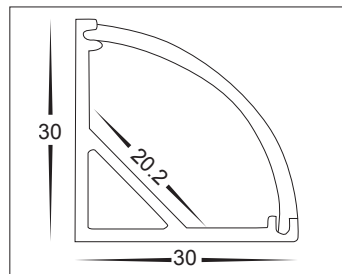
Powder Coating Available\*



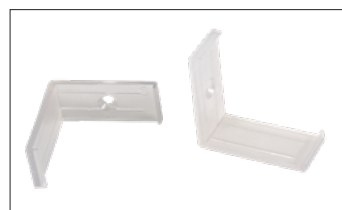
## PRODUCT ORDERING

ALUMINIUM SILVER		
	<b>HCP-4213030</b>	CUSTOM CUT LENGTH: SUPPLIED WITH 2X MOUNTING CLIPS PER METRE + 2X END CAPS PER LENGTH
	<b>HCP-4213030-3M</b>	3 METRE LENGTH: SUPPLIED WITH 6X MOUNTING CLIPS + 6X END CAPS

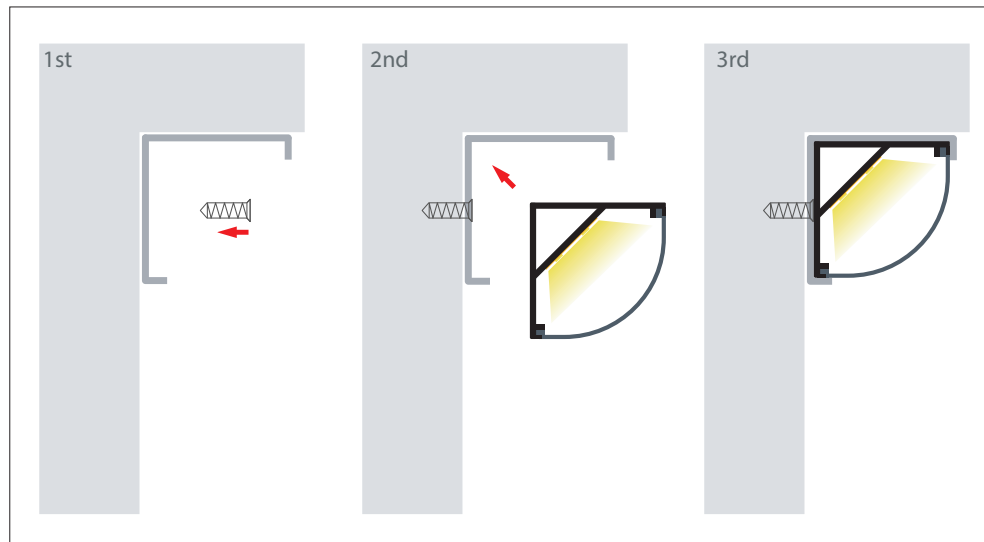
## MEASUREMENTS



## MOUNTING CLIPS



## SAMPLE INSTALLATION METHOD



\*Colour will vary from colour shown, additional charges will apply.



# 25MM X 9MM RECESSED ALUMINIUM PROFILE




## PRODUCT DATA

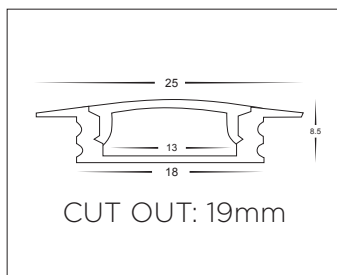
25MM X 9MM	
MATERIAL	ALUMINIUM
COLOUR/FINISH	SILVER, MATT BLACK OR MATT WHITE
AVAILABLE LENGTHS	UP TO 3000MM CONTINUOUS
LED STRIP TYPE	UP TO 12MM (W) X 3MM (H)
DIFFUSER TYPE	PC STANDARD
IP RATING	IP20



## PRODUCT ORDERING

ALUMINIUM SILVER		
	<b>HCP-4312507</b>	CUSTOM CUT LENGTH: SUPPLIED WITH 2X MOUNTING CLIPS PER METRE + 2X END CAPS PER LENGTH
	<b>HCP-4312507-3M</b>	3 METRE LENGTH: SUPPLIED WITH 6X MOUNTING CLIPS + 6X END CAPS
ALUMINIUM BLACK		
	<b>HCP-4322507</b>	CUSTOM CUT LENGTH: SUPPLIED WITH 2X MOUNTING CLIPS PER METRE + 2X END CAPS PER LENGTH
	<b>HCP-4322507-3M</b>	3 METRE LENGTH: SUPPLIED WITH 6X MOUNTING CLIPS + 6X END CAPS
ALUMINIUM WHITE		
	<b>HCP-4332507</b>	CUSTOM CUT LENGTH: SUPPLIED WITH 2X MOUNTING CLIPS PER METRE + 2X END CAPS PER LENGTH
	<b>HCP-4332507-3M</b>	3 METRE LENGTH: SUPPLIED WITH 6X MOUNTING CLIPS + 6X END CAPS

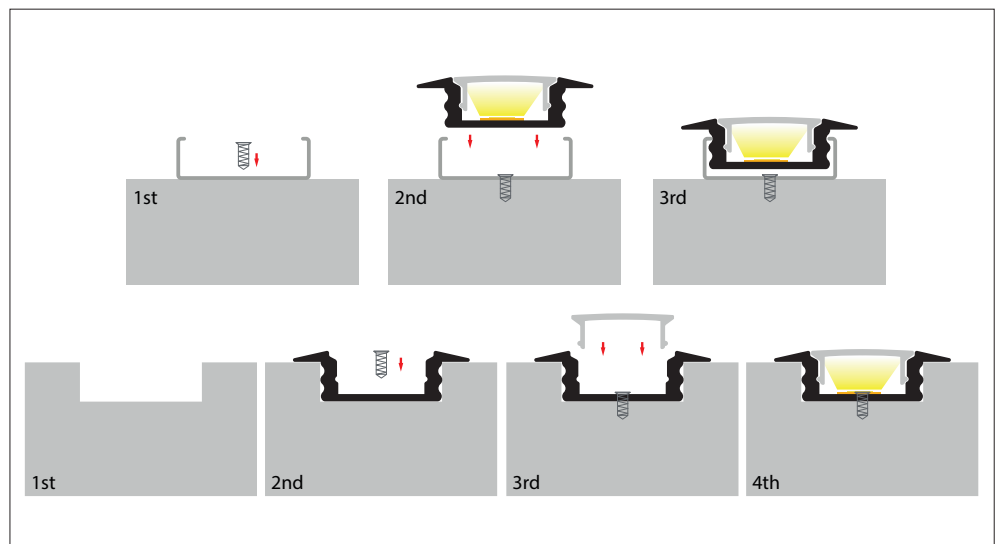
## MEASUREMENTS



## MOUNTING CLIPS



## SAMPLE INSTALLATION METHOD



# 25MM X 16MM RECESSED ALUMINIUM PROFILE






## PRODUCT DATA

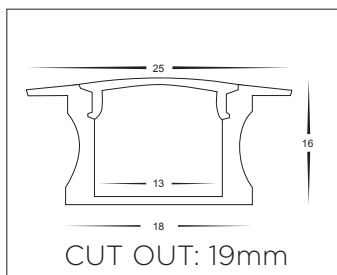
25MM X 16MM	
MATERIAL	ALUMINIUM
COLOUR/FINISH	SILVER, MATT BLACK OR MATT WHITE
AVAILABLE LENGTHS	UP TO 3000MM CONTINUOUS
LED STRIP TYPE	UP TO 12MM (W) X 3MM (H)
DIFFUSER TYPE	PC STANDARD
IP RATING	IP20



## PRODUCT ORDERING

ALUMINIUM SILVER		
	<b>HCP-4312515</b>	CUSTOM CUT LENGTH: SUPPLIED WITH 2X MOUNTING CLIPS PER METRE + 2X END CAPS PER LENGTH
	<b>HCP-4312515-3M</b>	3 METRE LENGTH: SUPPLIED WITH 6X MOUNTING CLIPS + 6X END CAPS
ALUMINIUM BLACK		
	<b>HCP-4322515</b>	CUSTOM CUT LENGTH: SUPPLIED WITH 2X MOUNTING CLIPS PER METRE + 2X END CAPS PER LENGTH
	<b>HCP-4322515-3M</b>	3 METRE LENGTH: SUPPLIED WITH 6X MOUNTING CLIPS + 6X END CAPS
ALUMINIUM WHITE		
	<b>HCP-4332515</b>	CUSTOM CUT LENGTH: SUPPLIED WITH 2X MOUNTING CLIPS PER METRE + 2X END CAPS PER LENGTH
	<b>HCP-4332515-3M</b>	3 METRE LENGTH: SUPPLIED WITH 6X MOUNTING CLIPS + 6X END CAPS

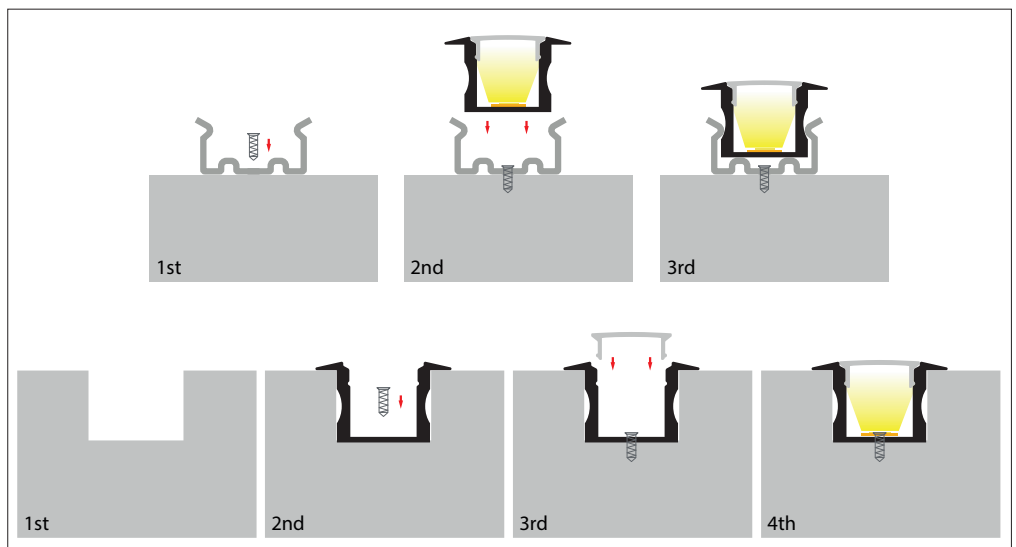
## MEASUREMENTS



## MOUNTING CLIPS



## SAMPLE INSTALLATION METHOD



# 30MM X 10MM RECESSED ALUMINIUM PROFILE



Powder Coating Available\*



## PRODUCT DATA

30MM X 10MM	
MATERIAL	ALUMINIUM
COLOUR/FINISH	SILVER
AVAILABLE LENGTHS	UP TO 3000MM CONTINUOUS
LED STRIP TYPE	UP TO 20MM (W) X 6MM (H)
DIFFUSER TYPE	PC STANDARD
IP RATING	IP20

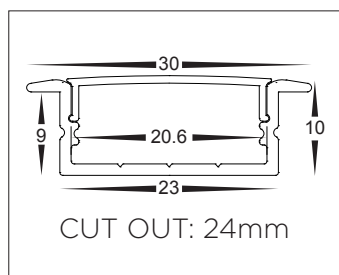


**HCP-4682810-LD:**  
Diffuser available for continuous run of up to 20 metres

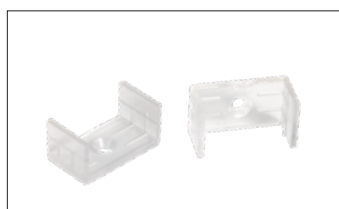
## PRODUCT ORDERING

ALUMINIUM SILVER		
	<b>HCP-4312810</b>	CUSTOM CUT LENGTH: SUPPLIED WITH 2X MOUNTING CLIPS PER METRE + 2X END CAPS PER LENGTH
	<b>HCP-4312810-3M</b>	3 METRE LENGTH: SUPPLIED WITH 6X MOUNTING CLIPS + 6X END CAPS

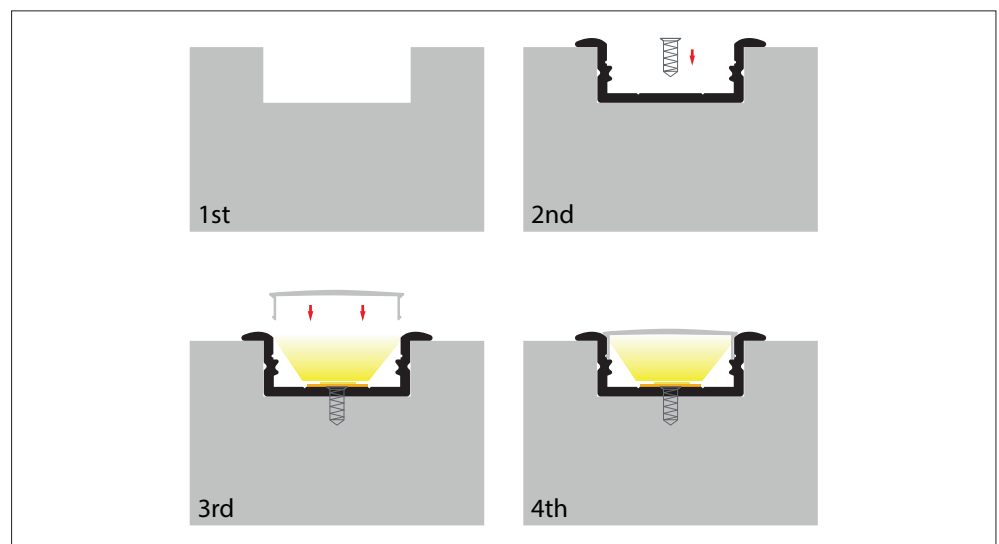
## MEASUREMENTS



## MOUNTING CLIPS

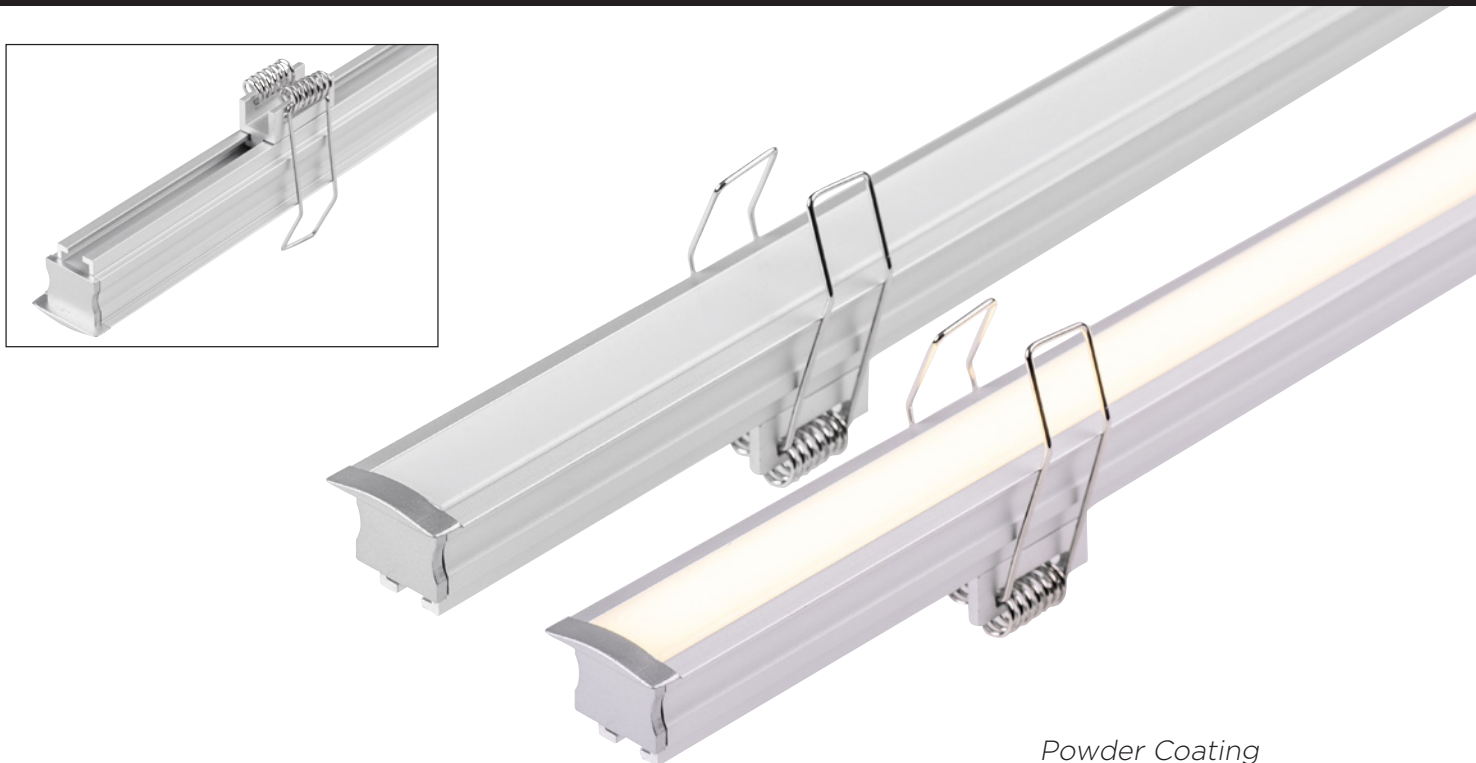


## SAMPLE INSTALLATION METHOD



\*Colour will vary from colour shown, additional charges will apply.

# 25MM X 20MM RECESSED ALUMINIUM PROFILE



Powder Coating Available\*



## PRODUCT DATA

25MM X 20MM	
MATERIAL	ALUMINIUM
COLOUR/FINISH	SILVER
AVAILABLE LENGTHS	UP TO 3000MM CONTINUOUS
LED STRIP TYPE	UP TO 12MM (W) X 3MM (H)
DIFFUSER TYPE	PC STANDARD
IP RATING	IP20

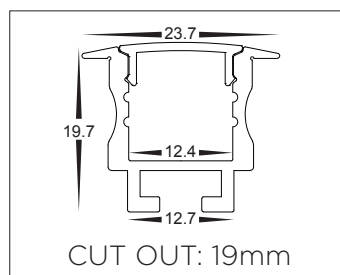


**HCP-4682520-LD:**  
Diffuser available for continuous run of up to 20 metres

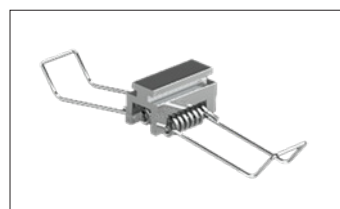
## PRODUCT ORDERING

ALUMINIUM SILVER		
	<b>HCP-4312520</b>	CUSTOM CUT LENGTH: SUPPLIED WITH 2X SPRING CLIPS PER METRE + 2X END CAPS PER LENGTH
	<b>HCP-4312520-3M</b>	3 METRE LENGTH: SUPPLIED WITH 6X SPRING CLIPS + 6X END CAPS

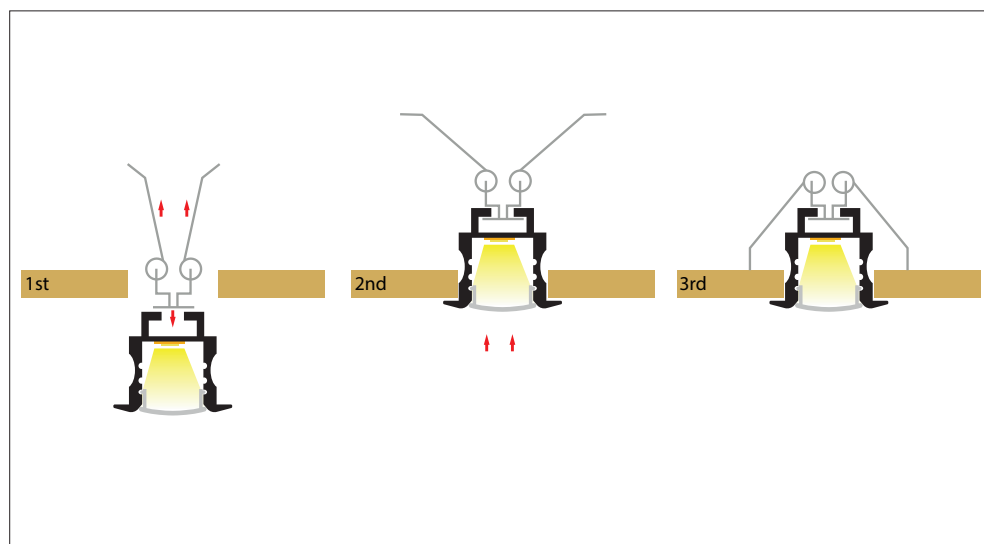
## MEASUREMENTS



## SPRING CLIPS

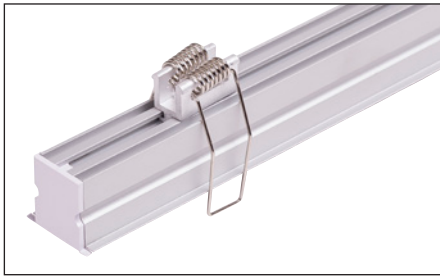


## SAMPLE INSTALLATION METHOD



\*Colour will vary from colour shown, additional charges will apply.

# 29MM X 26MM RECESSED ALUMINIUM PROFILE



## PRODUCT DATA

29MM X 26MM	
MATERIAL	ALUMINIUM
COLOUR/FINISH	SILVER, MATT BLACK, MATT WHITE
AVAILABLE LENGTHS	UP TO 3000MM CONTINUOUS
LED STRIP TYPE	UP TO 12MM (W) X 3MM (H)
DIFFUSER TYPE	PC STANDARD
IP RATING	IP20

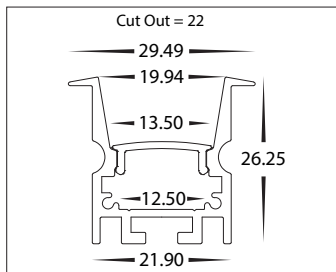


**HCP-4682926-LD:**  
Diffuser available for continuous run of up to 20 metres

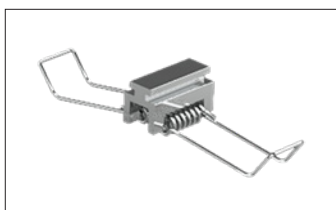
## PRODUCT ORDERING

ALUMINIUM SILVER		
	<b>HCP-4312926</b>	CUSTOM CUT LENGTH: SUPPLIED WITH 2X SPRING CLIPS PER METRE + 2X END CAPS PER LENGTH
	<b>HCP-4312926-3M</b>	3M LENGTH: SUPPLIED WITH 6X SPRING CLIPS + 6X END CAPS
ALUMINIUM BLACK		
	<b>HCP-4322926</b>	CUSTOM CUT LENGTH: SUPPLIED WITH 2X SPRING CLIPS PER METRE + 2X END CAPS PER LENGTH
	<b>HCP-4322926-3M</b>	3M LENGTH: SUPPLIED WITH 6X SPRING CLIPS + 6X END CAPS
ALUMINIUM WHITE		
	<b>HCP-4332926</b>	CUSTOM CUT LENGTH: SUPPLIED WITH 2X SPRING CLIPS PER METRE + 2X END CAPS PER LENGTH
	<b>HCP-4332926-3M</b>	3M LENGTH: SUPPLIED WITH 6X SPRING CLIPS + 6X END CAPS

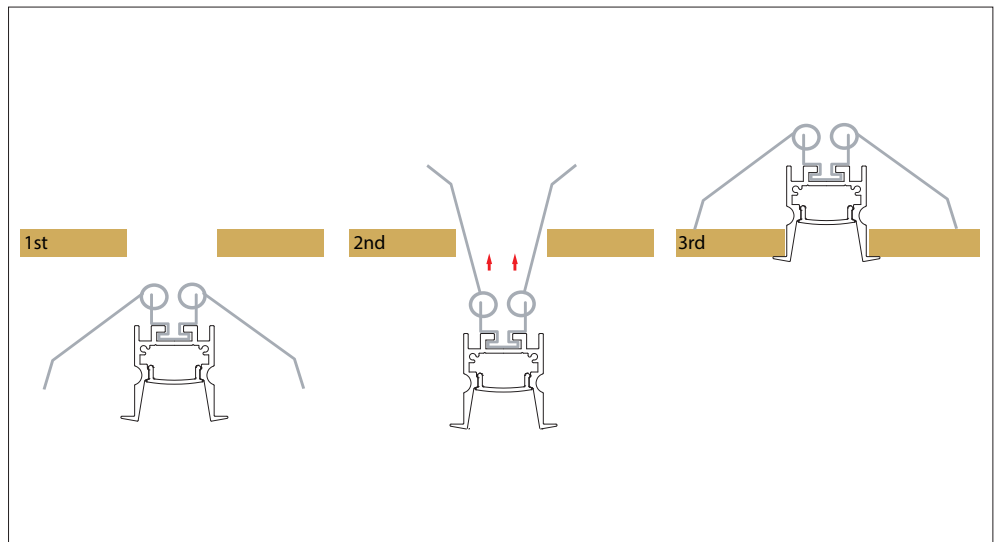
## MEASUREMENTS



## SPRING CLIPS

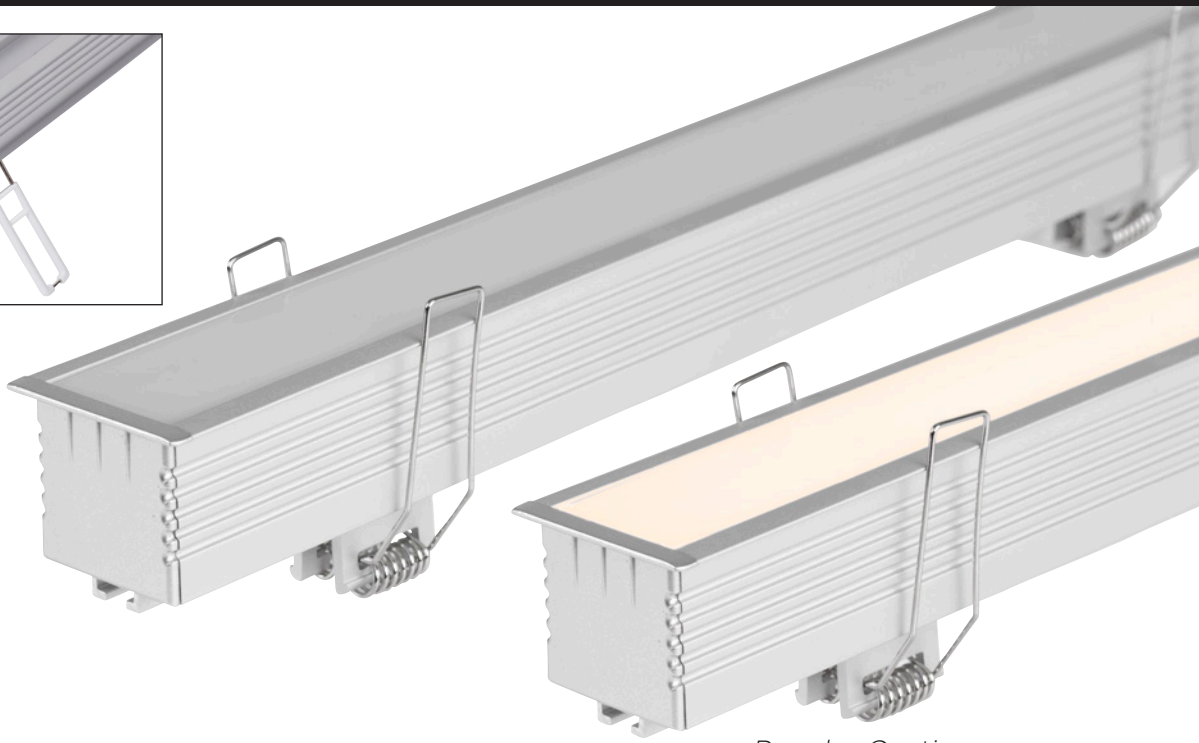
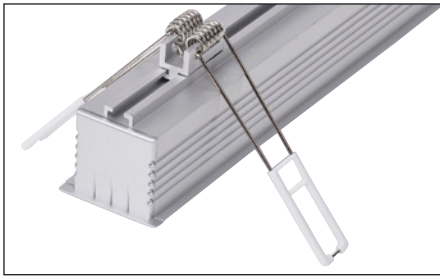


## SAMPLE INSTALLATION METHOD



\*Colour will vary from colour shown, additional charges will apply.

# 45MM X 40MM RECESSED ALUMINIUM PROFILE



Powder Coating Available\*



## PRODUCT DATA

45MM X 40MM	
MATERIAL	ALUMINIUM
COLOUR/FINISH	SILVER
AVAILABLE LENGTHS	UP TO 3000MM CONTINUOUS
LED STRIP TYPE	UP TO 30MM (W) X 6MM (H)
DIFFUSER TYPE	PC STANDARD
IP RATING	IP20

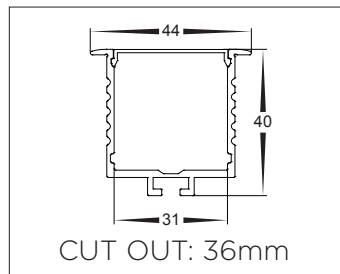


**HCP-4684540-LD:**  
Diffuser available for continuous run of up to 20 metres

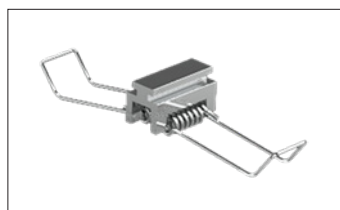
## PRODUCT ORDERING

ALUMINIUM SILVER		
	<b>HCP-4314540</b>	CUSTOM CUT LENGTH: SUPPLIED WITH 2X SPRING CLIPS PER METRE + 2X END CAPS PER LENGTH
	<b>HCP-4314540-3M</b>	3 METRE LENGTH: SUPPLIED WITH 6X SPRING CLIPS + 6X END CAPS

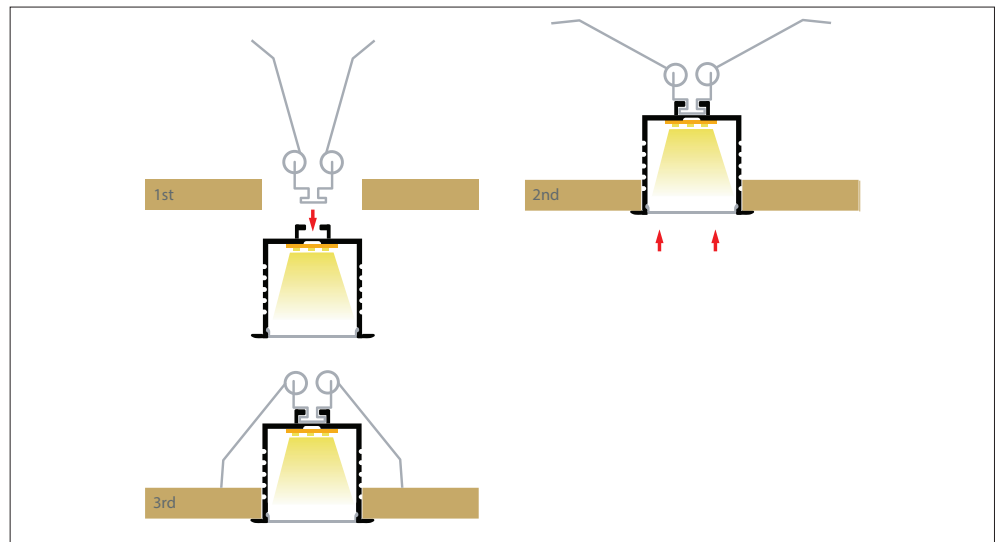
## MEASUREMENTS



## SPRING CLIPS



## SAMPLE INSTALLATION METHOD

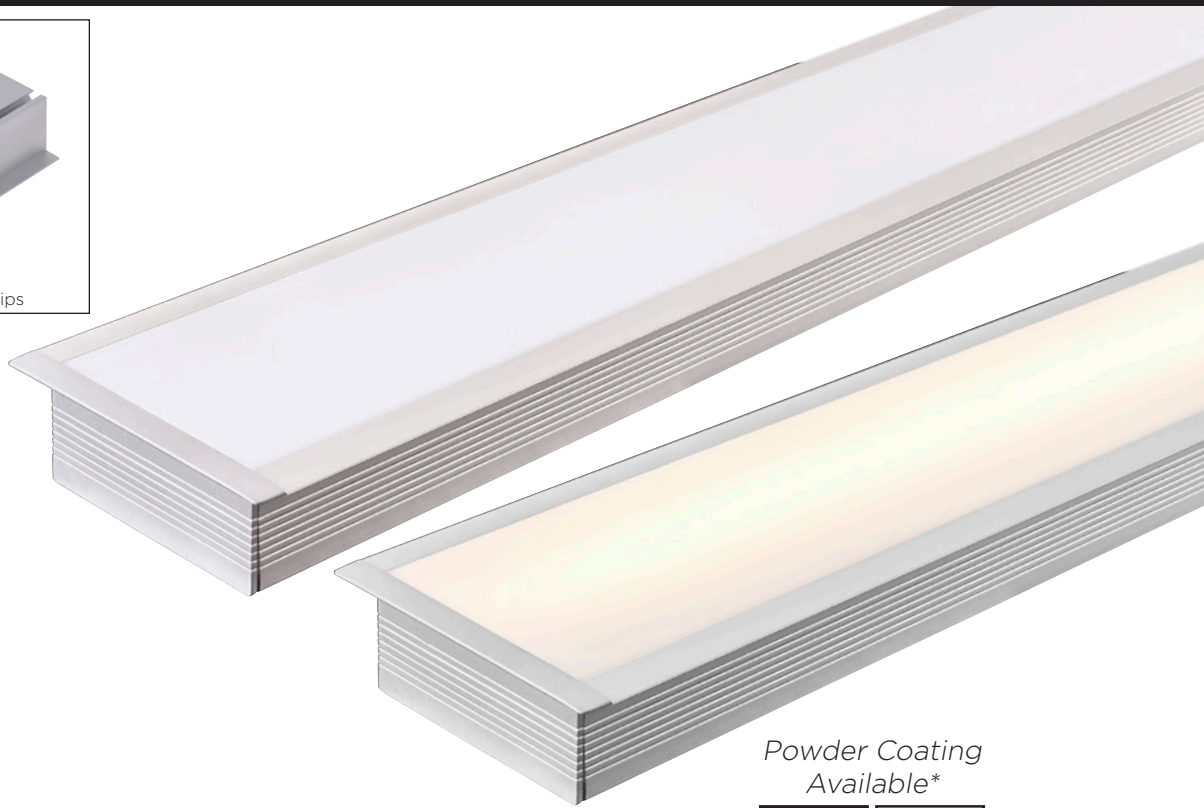


\*Colour will vary from colour shown, additional charges will apply.

# 100MM X 35MM RECESSED ALUMINIUM PROFILE



Shown With Spring Clips



Powder Coating Available\*



## PRODUCT DATA

100MM X 35MM	
MATERIAL	ALUMINIUM
COLOUR/FINISH	SILVER
AVAILABLE LENGTHS	UP TO 3000MM CONTINUOUS
LED STRIP TYPE	UP TO 45MM (W) X 6MM (H)
DIFFUSER TYPE	PC STANDARD
IP RATING	IP20

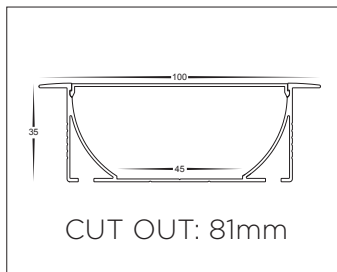


**HCP-4689835-LD:**  
Diffuser available for continuous run of up to 20 metres

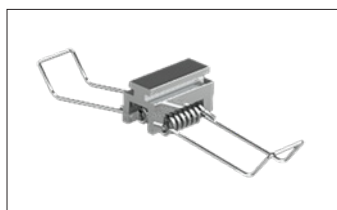
## PRODUCT ORDERING

ALUMINIUM SILVER		
	<b>HCP-4319835</b>	CUSTOM CUT LENGTH: SUPPLIED WITH 2X END CAPS PER LENGTH
	<b>HCP-4319835-3M</b>	3 METRE LENGTH: SUPPLIED WITH 6X END CAPS

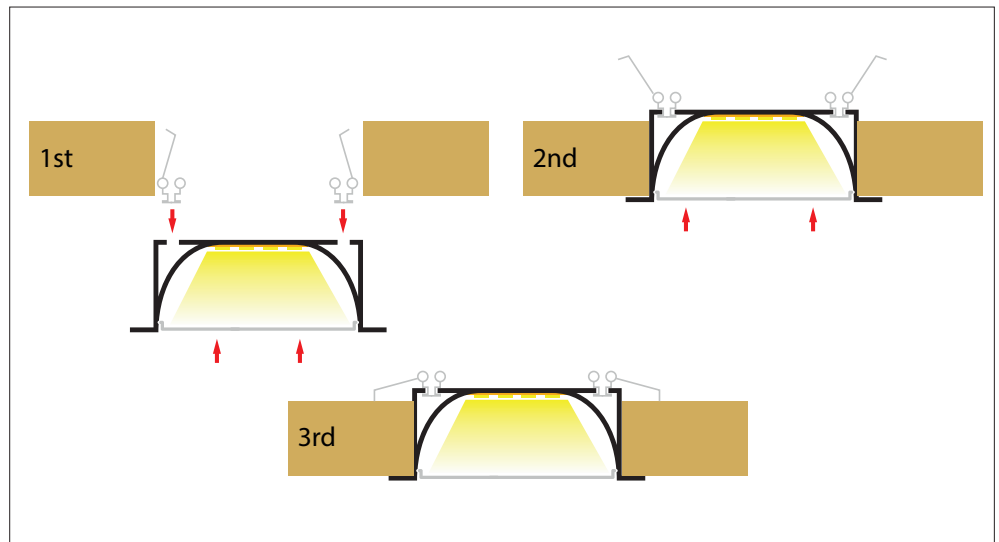
## MEASUREMENTS



## SPRING CLIPS

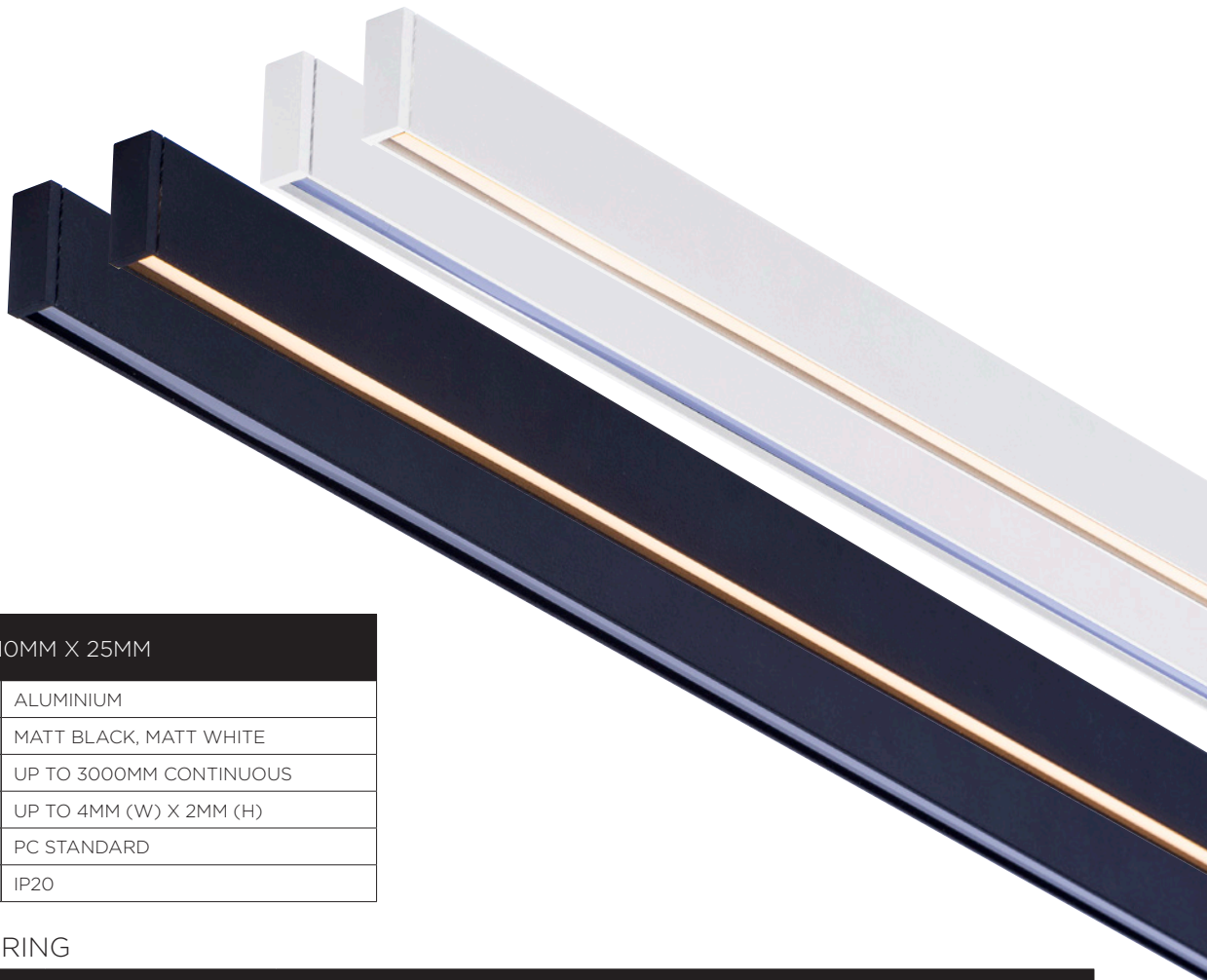


## SAMPLE INSTALLATION METHOD



\*Colour will vary from colour shown, additional charges will apply.

# 10MM X 25MM SUSPENDED ALUMINIUM PROFILE



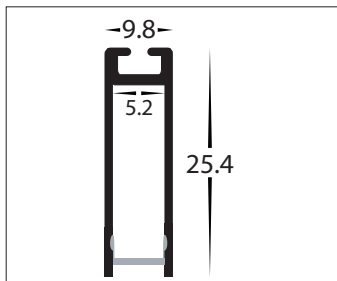
## PRODUCT DATA

10MM X 25MM	
MATERIAL	ALUMINIUM
COLOUR/FINISH	MATT BLACK, MATT WHITE
AVAILABLE LENGTHS	UP TO 3000MM CONTINUOUS
LED STRIP TYPE	UP TO 4MM (W) X 2MM (H)
DIFFUSER TYPE	PC STANDARD
IP RATING	IP20

## PRODUCT ORDERING

ALUMINIUM BLACK		
	<b>HCP-4421025</b>	CUSTOM CUT LENGTH: SUPPLIED WITH 2X END CAPS PER LENGTH
	<b>HCP-4421025-3M</b>	3M LENGTH: SUPPLIED WITH 6X END CAPS
ALUMINIUM WHITE		
	<b>HCP-4431025</b>	CUSTOM CUT LENGTH: SUPPLIED WITH 2X END CAPS PER LENGTH
	<b>HCP-4431025-3M</b>	3M LENGTH: SUPPLIED WITH 6X END CAPS

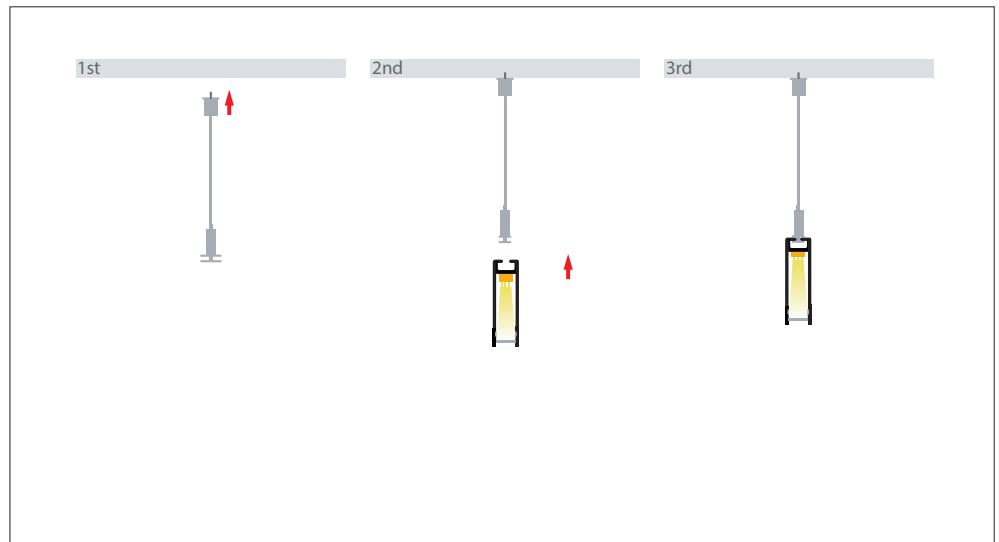
## MEASUREMENTS



## SUSPENSION KIT

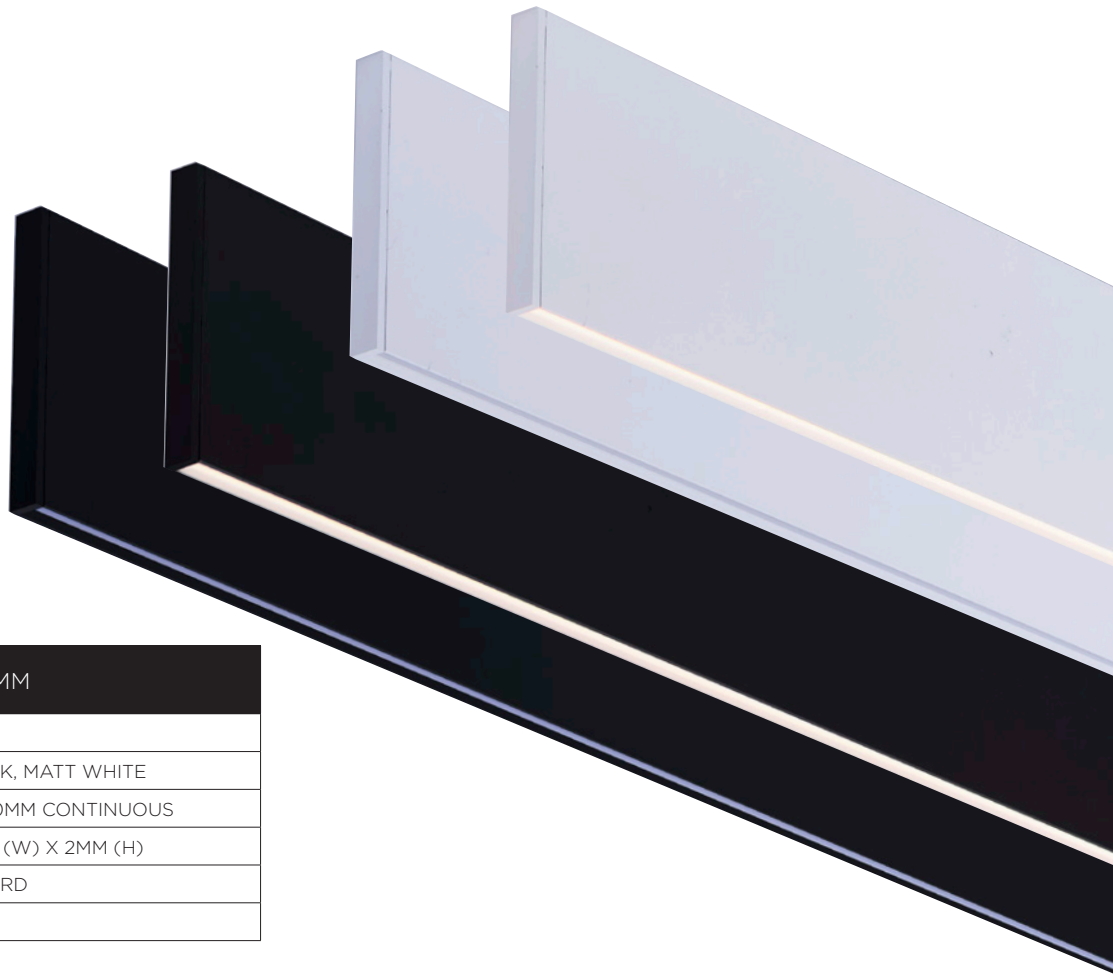


## SAMPLE INSTALLATION METHOD





# 10MM X 89MM SUSPENDED ALUMINIUM PROFILE



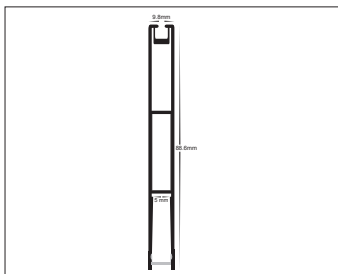
## PRODUCT DATA

10MM X 89MM	
MATERIAL	ALUMINIUM
COLOUR/FINISH	MATT BLACK, MATT WHITE
AVAILABLE LENGTHS	UP TO 3000MM CONTINUOUS
LED STRIP TYPE	UP TO 4MM (W) X 2MM (H)
DIFFUSER TYPE	PC STANDARD
IP RATING	IP20

## PRODUCT ORDERING

ALUMINIUM BLACK		
	<b>HCP-4421089</b>	CUSTOM CUT LENGTH: SUPPLIED WITH 2X END CAPS PER LENGTH
	<b>HCP-4421089-3M</b>	3M LENGTH: SUPPLIED WITH 6X END CAPS
ALUMINIUM WHITE		
	<b>HCP-4431089</b>	CUSTOM CUT LENGTH: SUPPLIED WITH 2X END CAPS PER LENGTH
	<b>HCP-4431089-3M</b>	3M LENGTH: SUPPLIED WITH 6X END CAPS

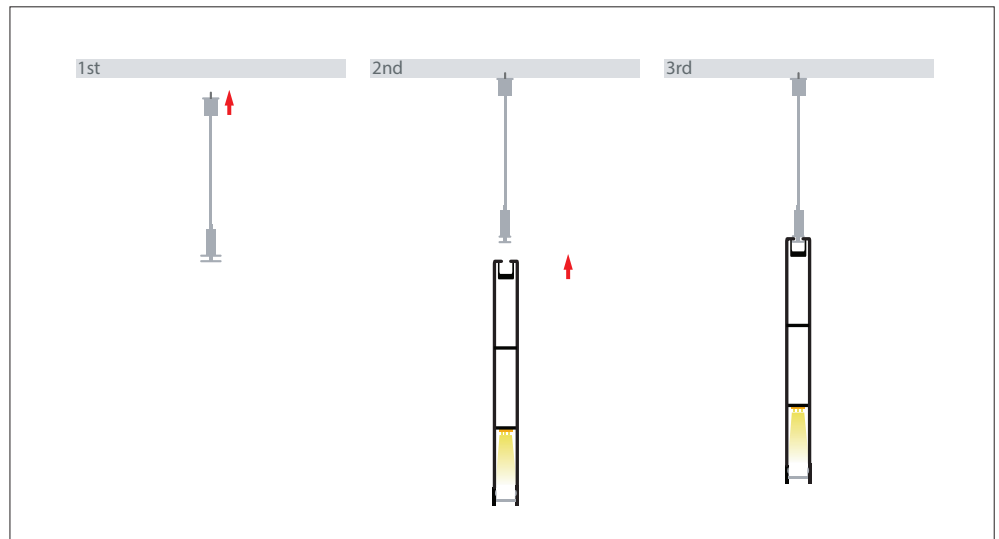
## MEASUREMENTS



## SUSPENSION KIT



## SAMPLE INSTALLATION METHOD



14  
ALUMINIUM PROFILE

# 18MM X 96MM SUSPENDED ALUMINIUM PROFILE



## PRODUCT DATA

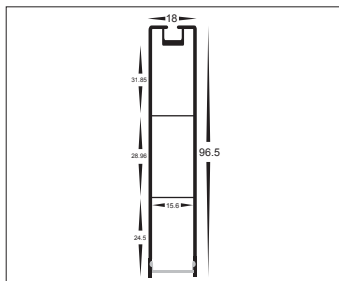
18MM X 96MM	
MATERIAL	ALUMINIUM
COLOUR/FINISH	MATT BLACK OR MATT WHITE
AVAILABLE LENGTHS	UP TO 3000MM CONTINUOUS
LED STRIP TYPE	UP TO 14MM (W) X 6MM (H)
DIFFUSER TYPE	STANDARD PC
IP RATING	IP20



## PRODUCT ORDERING

ALUMINIUM BLACK		
	<b>HCP-4421896</b>	CUSTOM CUT LENGTH: SUPPLIED WITH 2X END CAPS PER LENGTH
	<b>HCP-4421896-3M</b>	3 METRE LENGTH: SUPPLIED WITH 6X END CAPS
ALUMINIUM WHITE		
	<b>HCP-4431896</b>	CUSTOM CUT LENGTH: SUPPLIED WITH 2X END CAPS PER LENGTH
	<b>HCP-4431896-3M</b>	3 METRE LENGTH: SUPPLIED WITH 6X END CAPS

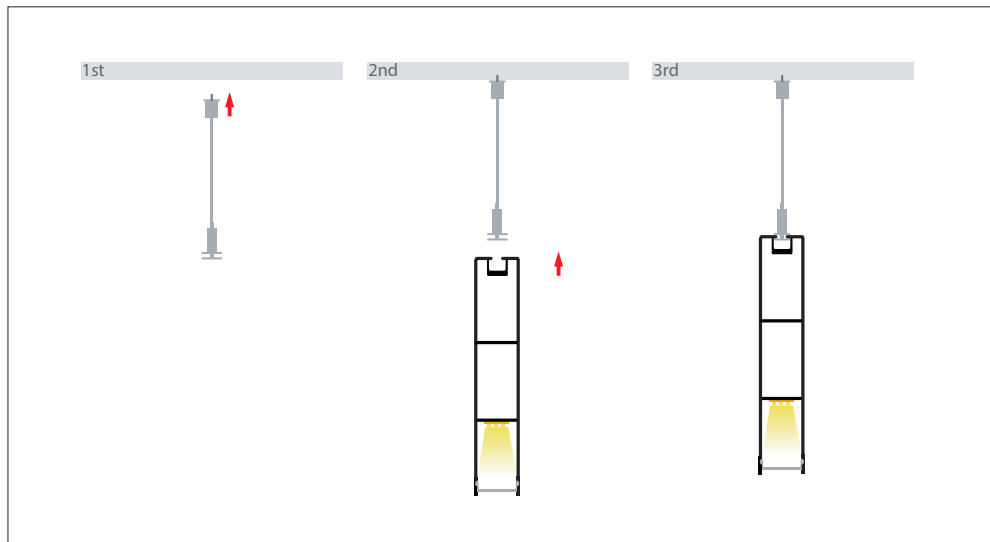
## MEASUREMENTS



## SUSPENSION KIT



## SAMPLE INSTALLATION METHOD



# 20MM X 25MM SUSPENDED ALUMINIUM PROFILE

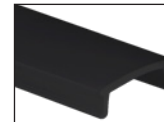


## PRODUCT DATA

20MM X 25MM	
MATERIAL	ALUMINIUM
COLOUR/FINISH	MATT BLACK OR MATT WHITE
AVAILABLE LENGTHS	UP TO 3000MM CONTINUOUS
LED STRIP TYPE	UP TO 14MM (W) X 3MM (H)
DIFFUSER TYPE	STANDARD PC
IP RATING	IP20



**HCP-4682025-LD:**  
Diffuser available  
for continuous run  
of up to 20 metres

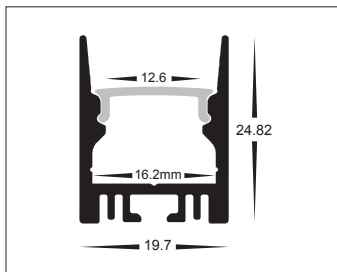


**HCP-4682025-BLK:**  
Black diffuser  
available

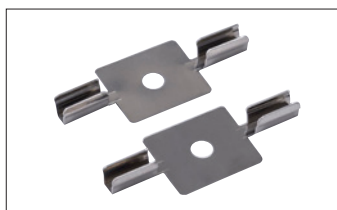
## PRODUCT ORDERING

ALUMINIUM BLACK		
	<b>HCP-4422025</b>	CUSTOM CUT LENGTH: SUPPLIED WITH 2X MOUNTING CLIPS PER METRE + 2X END CAPS PER LENGTH
	<b>HCP-4422025-3M</b>	3 METRE LENGTH: SUPPLIED WITH 6X MOUNTING CLIPS + 6X END CAPS
ALUMINIUM WHITE		
	<b>HCP-4432025</b>	CUSTOM CUT LENGTH: SUPPLIED WITH 2X MOUNTING CLIPS PER METRE + 2X END CAPS PER LENGTH
	<b>HCP-4432025-3M</b>	3 METRE LENGTH: SUPPLIED WITH 6X MOUNTING CLIPS + 6X END CAPS

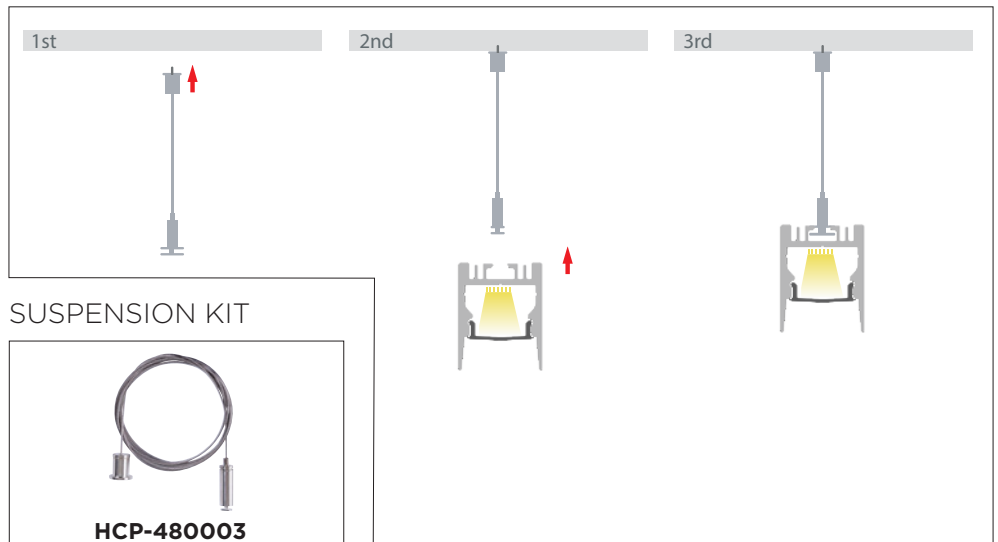
## MEASUREMENTS



## MOUNTING CLIPS



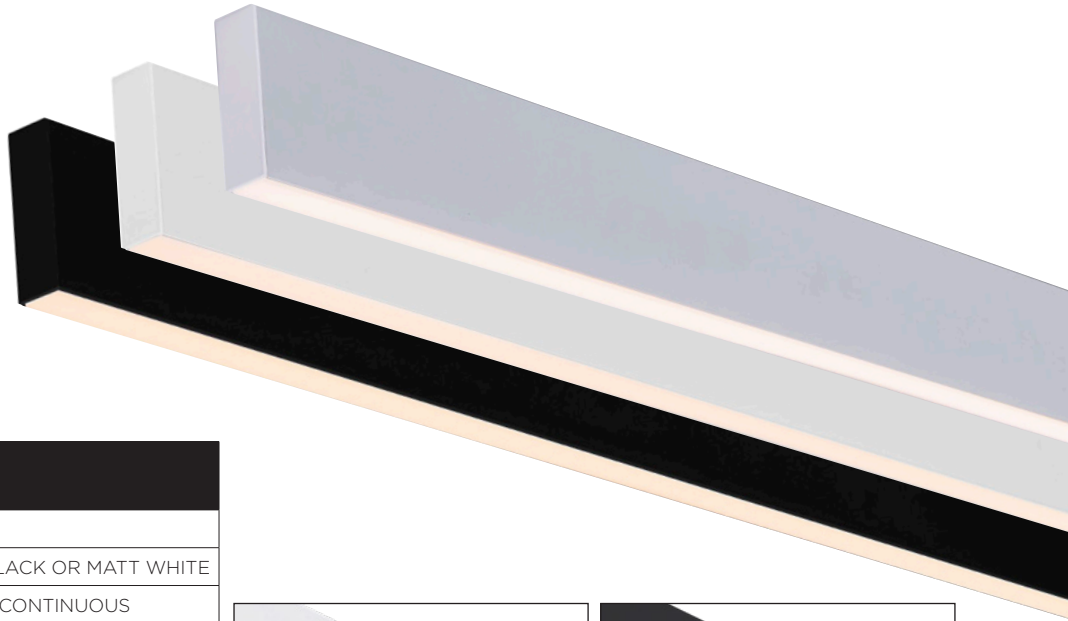
## SAMPLE INSTALLATION METHOD



## SUSPENSION KIT

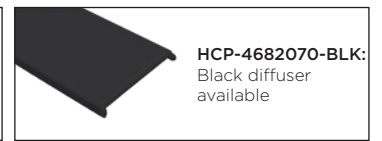
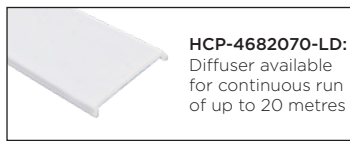


# 20MM X 70MM SUSPENDED ALUMINIUM PROFILE



## PRODUCT DATA

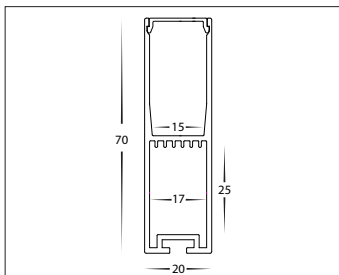
20MM X 70MM	
MATERIAL	ALUMINIUM
COLOUR/FINISH	SILVER, MATT BLACK OR MATT WHITE
AVAILABLE LENGTHS	UP TO 3000MM CONTINUOUS
LED STRIP TYPE	UP TO 14MM (W) X 6MM (H)
DIFFUSER TYPE	STANDARD PC
IP RATING	IP20



## PRODUCT ORDERING

ALUMINIUM SILVER		
	<b>HCP-4412070</b>	CUSTOM CUT LENGTH: SUPPLIED WITH 2X END CAPS PER LENGTH
	<b>HCP-4412070-3M</b>	3 METRE LENGTH: SUPPLIED WITH 6X END CAPS
ALUMINIUM BLACK		
	<b>HCP-4422070</b>	CUSTOM CUT LENGTH: SUPPLIED WITH 2X END CAPS PER LENGTH
	<b>HCP-4422070-3M</b>	3 METRE LENGTH: SUPPLIED WITH 6X END CAPS
ALUMINIUM WHITE		
	<b>HCP-4432070</b>	CUSTOM CUT LENGTH: SUPPLIED WITH 2X END CAPS PER LENGTH
	<b>HCP-4432070-3M</b>	3 METRE LENGTH: SUPPLIED WITH 6X END CAPS
JOINER		
	<b>HCP-4412070-JOINER</b>	JOINER KIT TO ALLOW MULTIPLE LENGTHS TO BE JOINED TO FORM A CONTINUOUS RUN.

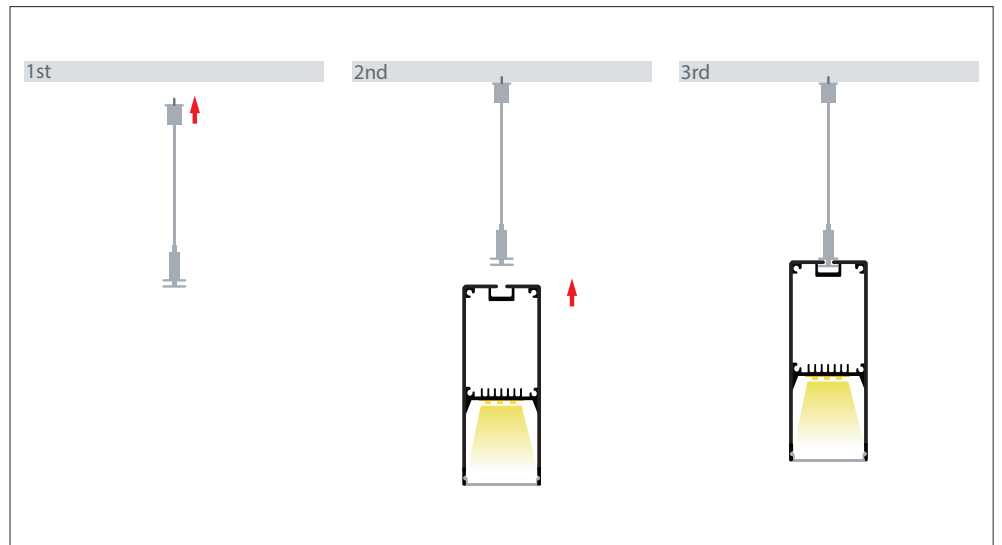
## MEASUREMENTS



## SUSPENSION KIT



## SAMPLE INSTALLATION METHOD



# 31MM X 36MM SUSPENDED ALUMINIUM PROFILE



## PRODUCT DATA

31MM X 36MM	
MATERIAL	ALUMINIUM
COLOUR/FINISH	SILVER, MATT BLACK OR MATT WHITE
AVAILABLE LENGTHS	UP TO 3000MM CONTINUOUS
LED STRIP TYPE	UP TO 10MM (W) X 3MM (H)
DIFFUSER TYPE	PC STANDARD
IP RATING	IP20







**HCP-4683136-LD:**  
Diffuser available for continuous run of up to 20 metres

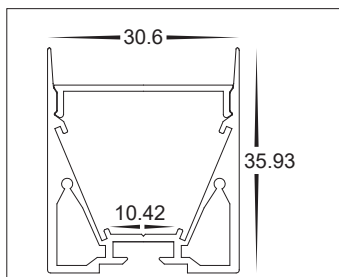


**HCP-4683136-BLK:**  
Black diffuser available

## PRODUCT ORDERING

ALUMINIUM SILVER		
	<b>HCP-4413136</b>	CUSTOM CUT LENGTH: SUPPLIED WITH 2X END CAPS PER LENGTH
	<b>HCP-4413136-3M</b>	3 METRE LENGTH: SUPPLIED WITH 6X END CAPS
ALUMINIUM BLACK		
	<b>HCP-4423136</b>	CUSTOM CUT LENGTH: SUPPLIED WITH 2X END CAPS PER LENGTH
	<b>HCP-4423136-3M</b>	3 METRE LENGTH: SUPPLIED WITH 6X END CAPS
ALUMINIUM WHITE		
	<b>HCP-4433136</b>	CUSTOM CUT LENGTH: SUPPLIED WITH 2X END CAPS PER LENGTH
	<b>HCP-4433136-3M</b>	3 METRE LENGTH: SUPPLIED WITH 6X END CAPS
JOINER		
	<b>HCP-4413136-JOINER</b>	JOINER KIT TO ALLOW MULTIPLE LENGTHS TO BE JOINED TO FORM A CONTINUOUS RUN.

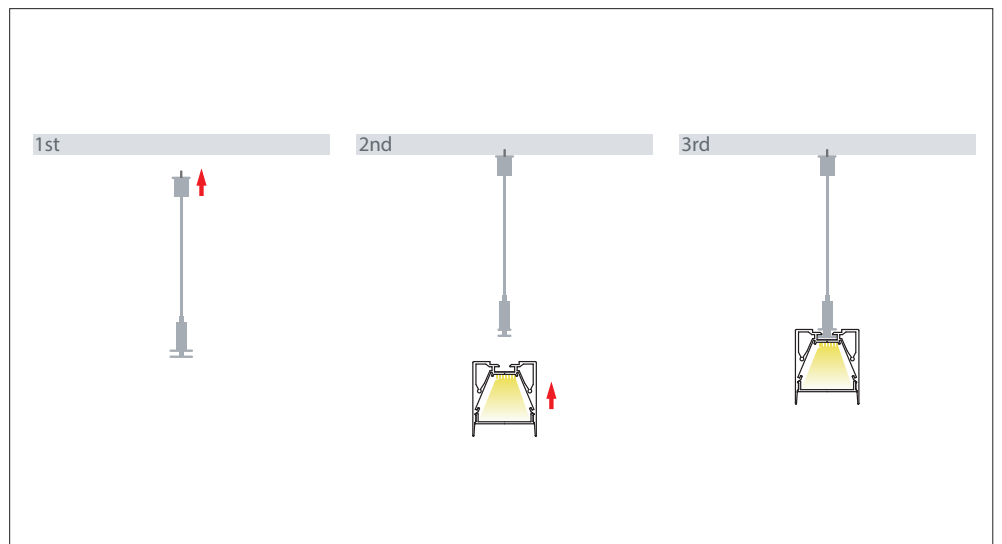
## MEASUREMENTS



## SUSPENSION KIT



## SAMPLE INSTALLATION METHOD



14  
ALUMINIUM PROFILE




# 32MM X 35MM SUSPENDED ALUMINIUM PROFILE



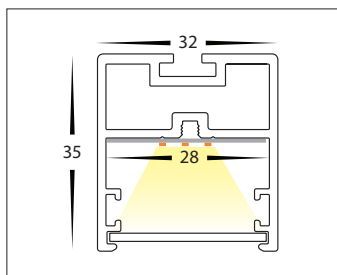
## PRODUCT DATA

32MM X 35MM	
MATERIAL	ALUMINIUM
COLOUR/FINISH	MATT BLACK
AVAILABLE LENGTHS	UP TO 2400MM CONTINUOUS + CURVED SHAPES
LED STRIP TYPE	UP TO 25MM (W) X 6MM (H)
DIFFUSER TYPE	PC STANDARD
IP RATING	IP20

## PRODUCT ORDERING

ALUMINIUM BLACK		
	<b>HCP-4423235</b>	CUSTOM CUT LENGTH: SUPPLIED WITH 2X END CAPS PER LENGTH
JOINERS + LONG DIFFUSERS		
	<b>HCP-4423235-JOINER</b>	STRAIGHT JOINER
	<b>HCP-4683235-LD</b>	SILICON DIFFUSER UP TO 20M LENGTH

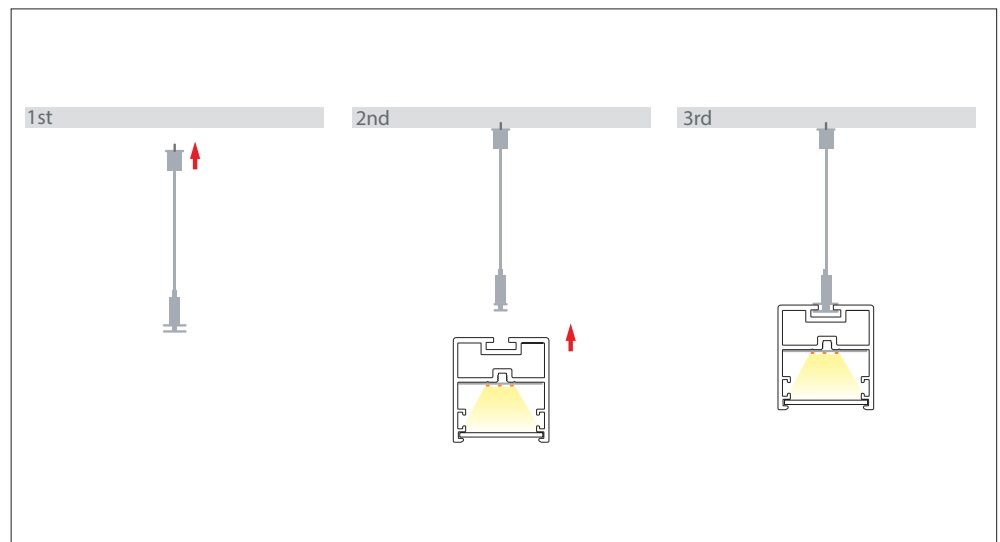
## MEASUREMENTS



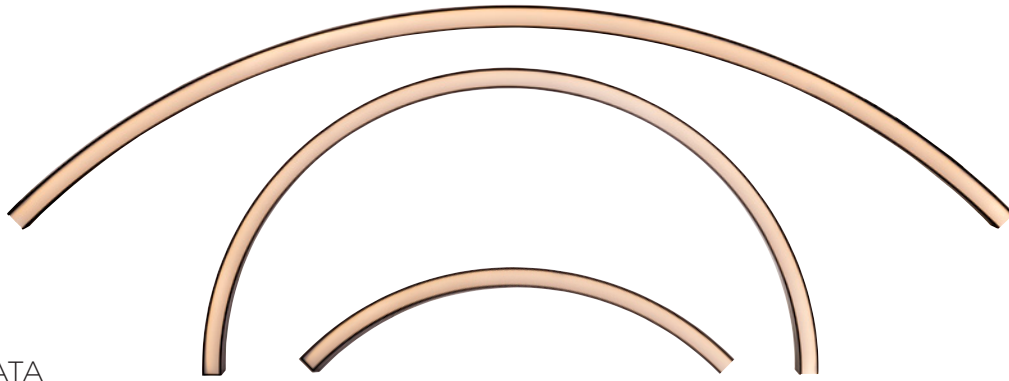
## SUSPENSION KIT



## SAMPLE INSTALLATION METHOD








# 32MM X 35MM CURVED SECTIONS ALUMINIUM PROFILE



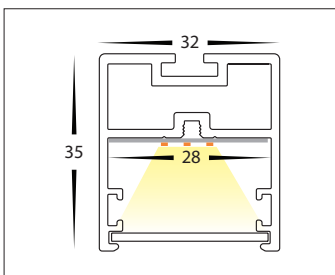
## PRODUCT DATA

32MM X 35MM	
MATERIAL	ALUMINIUM
COLOUR/FINISH	MATT BLACK
AVAILABLE LENGTHS	UP TO 2400MM CONTINUOUS + CURVED SHAPES
LED STRIP TYPE	UP TO 25MM (W) X 6MM (H)
DIFFUSER TYPE	PC STANDARD
IP RATING	IP20

## PRODUCT ORDERING

ALUMINIUM BLACK		
	<b>HCP-4423235-1-1/4</b>	1/4 CURVED ALUMINIUM WITH DIFFUSER
	<b>HCP-4423235-1-1/2</b>	1/2 CURVED ALUMINIUM WITH DIFFUSER
	<b>HCP-4423235-2-1/4</b>	1/4 CURVED ALUMINIUM WITH DIFFUSER
JOINERS + LONG DIFFUSERS		
	<b>HCP-4423235-JOINER</b>	STRAIGHT JOINER
	<b>HCP-4683235-LD</b>	SILICON DIFFUSER UP TO 20M LENGTH

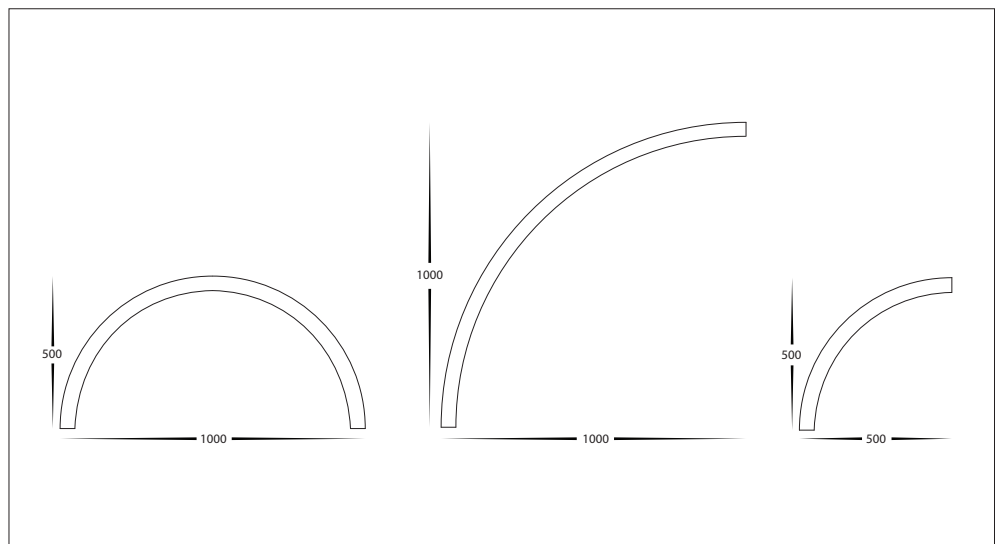
## MEASUREMENTS



## SUSPENSION KIT



## SPECIFICATIONS



# 35MM X 37MM SUSPENDED ALUMINIUM PROFILE



## PRODUCT DATA

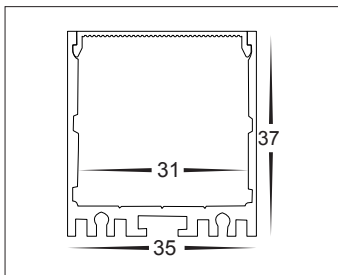
35MM X 37MM	
MATERIAL	ALUMINIUM
COLOUR/FINISH	SILVER, MATT BLACK OR MATT WHITE
AVAILABLE LENGTHS	UP TO 3000MM CONTINUOUS
LED STRIP TYPE	UP TO 30MM (W) X 6MM (H)
DIFFUSER TYPE	PC STANDARD
IP RATING	IP20



## PRODUCT ORDERING

ALUMINIUM SILVER		
	<b>HCP-4413537</b>	CUSTOM CUT LENGTH: SUPPLIED WITH 2X END CAPS PER LENGTH
	<b>HCP-4413537-3M</b>	3 METRE LENGTH: SUPPLIED WITH 6X END CAPS
ALUMINIUM BLACK		
	<b>HCP-4423537</b>	CUSTOM CUT LENGTH: SUPPLIED WITH 2X END CAPS PER LENGTH
	<b>HCP-4423537-3M</b>	3 METRE LENGTH: SUPPLIED WITH 6X END CAPS
ALUMINIUM WHITE		
	<b>HCP-4433537</b>	CUSTOM CUT LENGTH: SUPPLIED WITH 2X END CAPS PER LENGTH
	<b>HCP-4433537-3M</b>	3 METRE LENGTH: SUPPLIED WITH 6X END CAPS
JOINER		
	<b>HCP-4413537-JOINER</b>	JOINER KIT TO ALLOW MULTIPLE LENGTHS TO BE JOINED TO FORM A CONTINUOUS RUN.

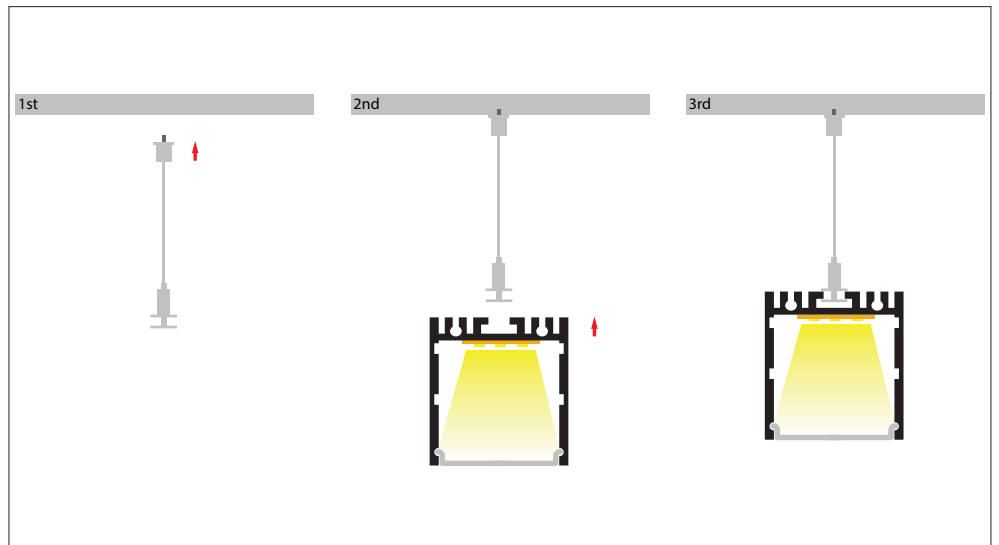
## MEASUREMENTS



## SUSPENSION KIT

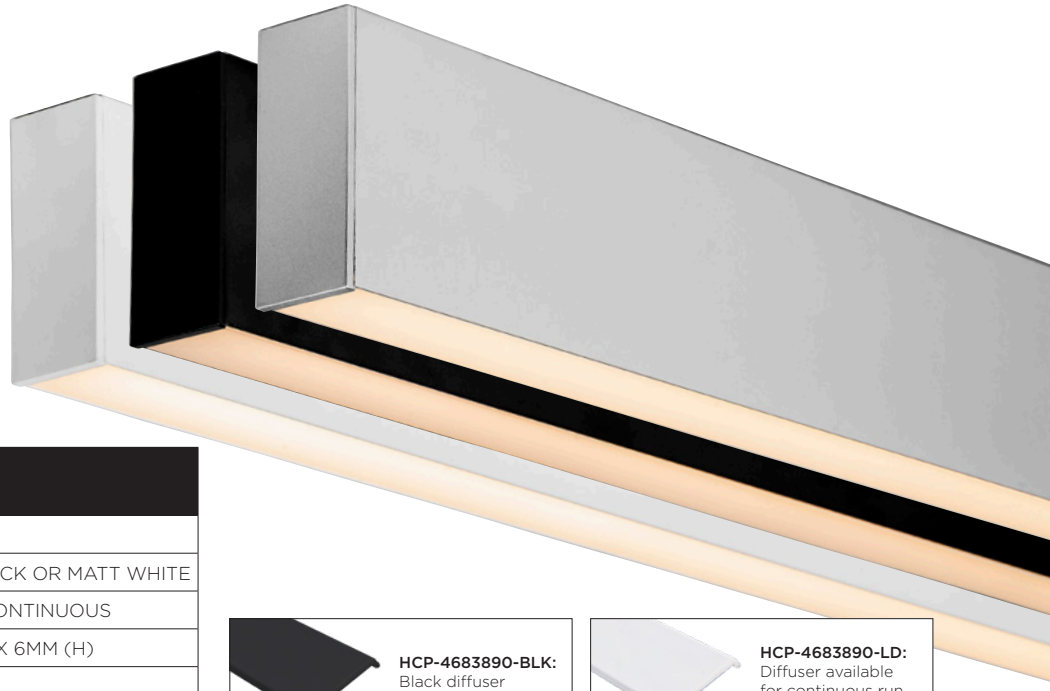


## SAMPLE INSTALLATION METHOD





# 38MM X 90MM SUSPENDED ALUMINIUM PROFILE



## PRODUCT DATA

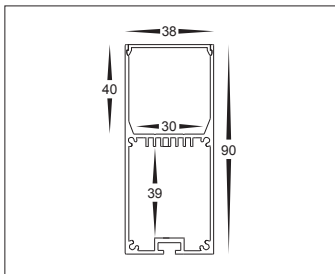
38MM X 90MM	
MATERIAL	ALUMINIUM
COLOUR/FINISH	SILVER, MATT BLACK OR MATT WHITE
AVAILABLE LENGTHS	UP TO 3000MM CONTINUOUS
LED STRIP TYPE	UP TO 30MM (W) X 6MM (H)
DIFFUSER TYPE	PC STANDARD
IP RATING	IP20



## PRODUCT ORDERING

ALUMINIUM SILVER		
	<b>HCP-4413890</b>	CUSTOM CUT LENGTH: SUPPLIED WITH 2X END CAPS PER LENGTH
	<b>HCP-4413890-3M</b>	3 METRE LENGTH: SUPPLIED WITH 6X END CAPS
ALUMINIUM BLACK		
	<b>HCP-4423890</b>	CUSTOM CUT LENGTH: SUPPLIED WITH 2X END CAPS PER LENGTH
	<b>HCP-4423890-3M</b>	3 METRE LENGTH: SUPPLIED WITH 6X END CAPS
ALUMINIUM WHITE		
	<b>HCP-4433890</b>	CUSTOM CUT LENGTH: SUPPLIED WITH 2X END CAPS PER LENGTH
	<b>HCP-4433890-3M</b>	3 METRE LENGTH: SUPPLIED WITH 6X END CAPS
JOINER		
	<b>HCP-4413890-JOINER</b>	JOINER KIT TO ALLOW MULTIPLE LENGTHS TO BE JOINED TO FORM A CONTINUOUS RUN.

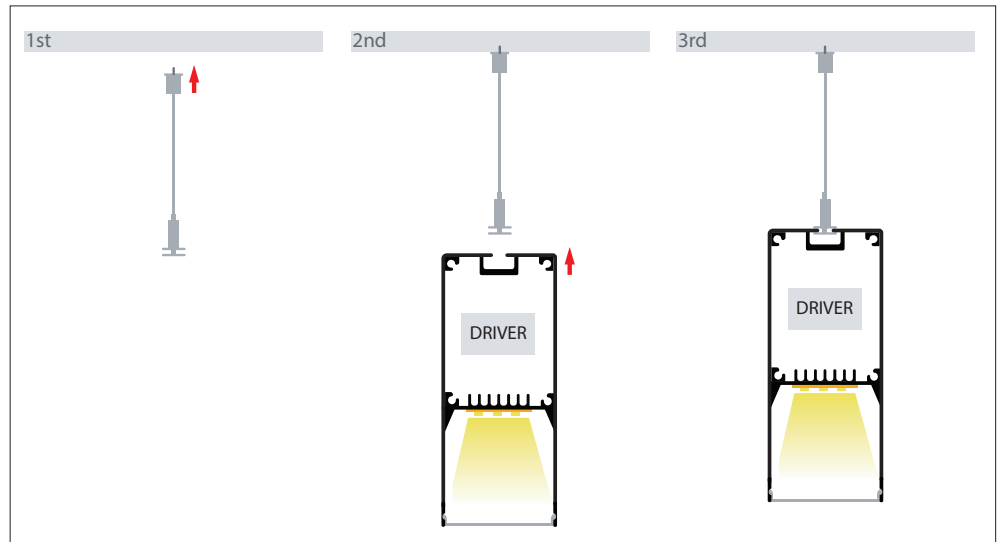
## MEASUREMENTS



## SUSPENSION KIT



## SAMPLE INSTALLATION METHOD



14  
ALUMINIUM PROFILE

# 49MM X 75MM SUSPENDED ALUMINIUM PROFILE



## PRODUCT DATA

49MM X 75MM	
MATERIAL	ALUMINIUM
COLOUR/FINISH	SILVER
AVAILABLE LENGTHS	UP TO 3000MM CONTINUOUS
LED STRIP TYPE	UP TO 25MM (W) X 6MM (H)
DIFFUSER TYPE	PC STANDARD
IP RATING	IP20

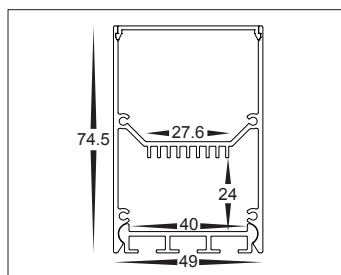
Powder Coating Available\*



## PRODUCT ORDERING

ALUMINIUM SILVER		
	<b>HCP-4414975</b>	CUSTOM CUT LENGTH: SUPPLIED WITH 2X END CAPS PER LENGTH
	<b>HCP-4414975-3M</b>	3 METRE LENGTH: SUPPLIED WITH 6X END CAPS

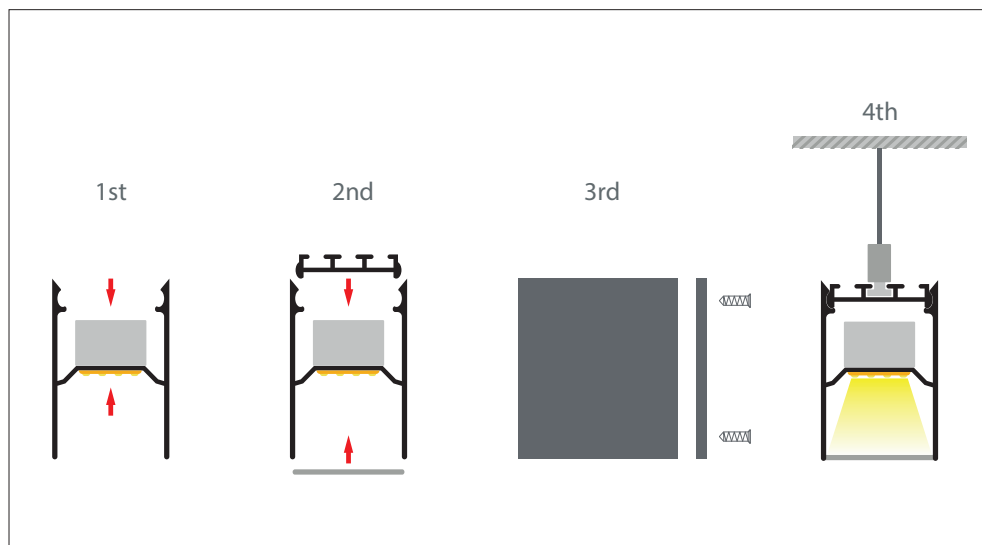
## MEASUREMENTS



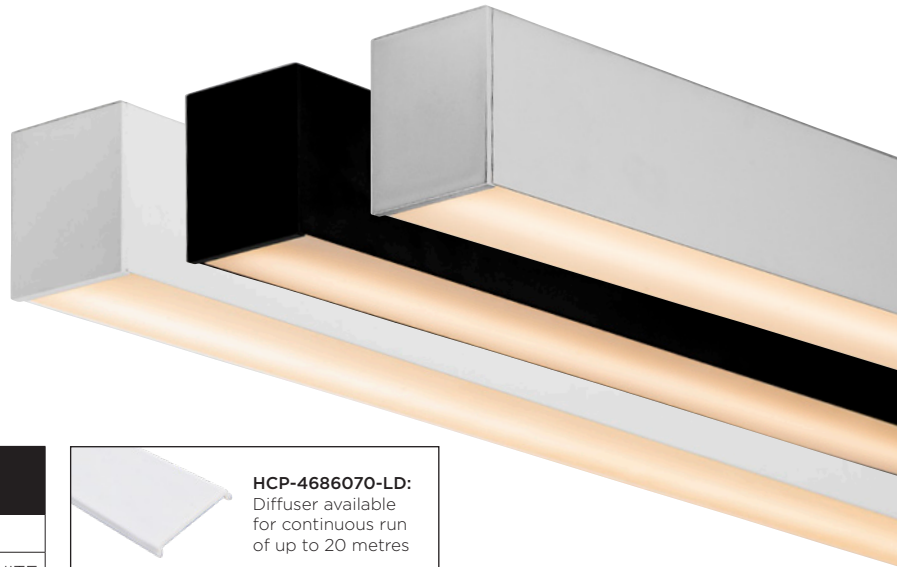
## SUSPENSION KIT



## SAMPLE INSTALLATION METHOD



# 60MM X 70MM SUSPENDED ALUMINIUM PROFILE



## PRODUCT DATA

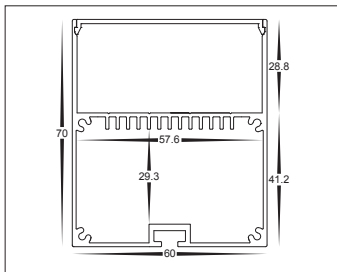
60MM X 70MM	
MATERIAL	ALUMINIUM
COLOUR/FINISH	SILVER, MATT BLACK OR MATT WHITE
AVAILABLE LENGTHS	UP TO 3000MM CONTINUOUS
LED STRIP TYPE	UP TO 50MM (W) X 6MM (H)
DIFFUSER TYPE	PC STANDARD
IP RATING	IP20



## PRODUCT ORDERING

ALUMINIUM SILVER		
	<b>HCP-4416070</b>	CUSTOM CUT LENGTH: SUPPLIED WITH 2X END CAPS PER LENGTH
	<b>HCP-4416070-3M</b>	3 METRE LENGTH: SUPPLIED WITH 6X END CAPS
ALUMINIUM BLACK		
	<b>HCP-4426070</b>	CUSTOM CUT LENGTH: SUPPLIED WITH 2X END CAPS PER LENGTH
	<b>HCP-4426070-3M</b>	3 METRE LENGTH: SUPPLIED WITH 6X END CAPS
ALUMINIUM WHITE		
	<b>HCP-4436070</b>	CUSTOM CUT LENGTH: SUPPLIED WITH 2X END CAPS PER LENGTH
	<b>HCP-4436070-3M</b>	3 METRE LENGTH: SUPPLIED WITH 6X END CAPS
JOINER		
	<b>HCP-4416070-JOINER</b>	JOINER KIT TO ALLOW MULTIPLE LENGTHS TO BE JOINED TO FORM A CONTINUOUS RUN.

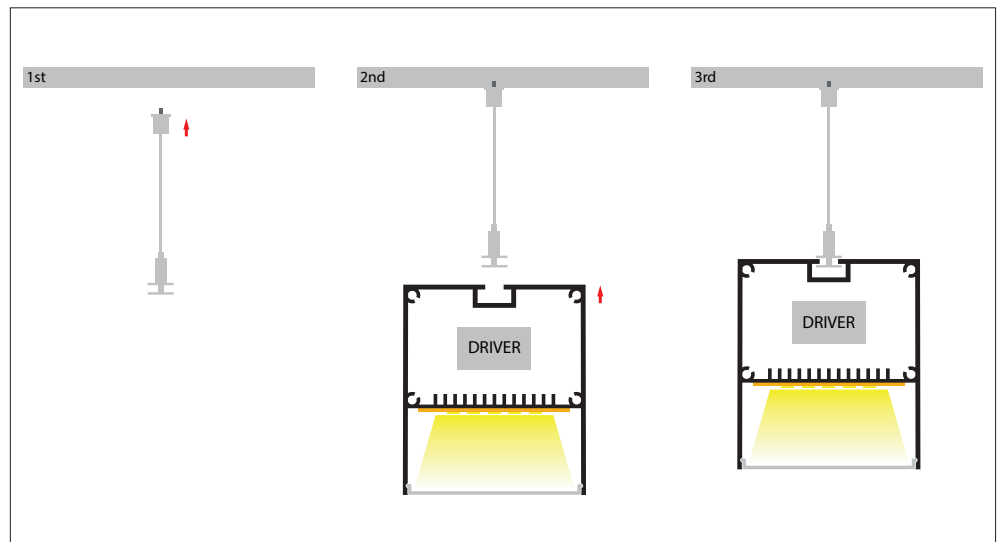
## MEASUREMENTS



## SUSPENSION KIT



## SAMPLE INSTALLATION METHOD



# 52MM X 70MM SUSPENDED ALUMINIUM PROFILE




## PRODUCT DATA

52MM X 70MM	
MATERIAL	ALUMINIUM
COLOUR/FINISH	MATT BLACK, MATT WHITE
AVAILABLE LENGTHS	UP TO 3000MM CONTINUOUS
LED STRIP TYPE	UP TO 20MM (W) X 6MM (H)
DIFFUSER TYPE	PC STANDARD
IP RATING	IP20




**HCP-4685270-LD:**  
Diffuser available for continuous run of up to 20 metres

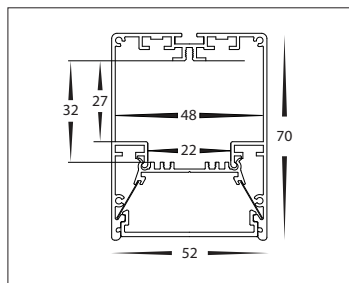


**HCP-4685270-BLK:**  
Black diffuser available

## PRODUCT ORDERING

ALUMINIUM BLACK		
	<b>HCP-4425270</b>	CUSTOM CUT LENGTH: SUPPLIED WITH 2X END CAPS PER LENGTH
	<b>HCP-4425270-3M</b>	3M LENGTH: SUPPLIED WITH 6X END CAPS
ALUMINIUM WHITE		
	<b>HCP-4435270</b>	CUSTOM CUT LENGTH: SUPPLIED WITH 2X END CAPS PER LENGTH
	<b>HCP-4435270-3M</b>	3M LENGTH: SUPPLIED WITH 6X END CAPS
JOINER		
	<b>HCP-4805270-JOINER</b>	STRAIGHT JOINER
	<b>HCP-4506070-SM</b>	SURFACE MOUNT CLIP

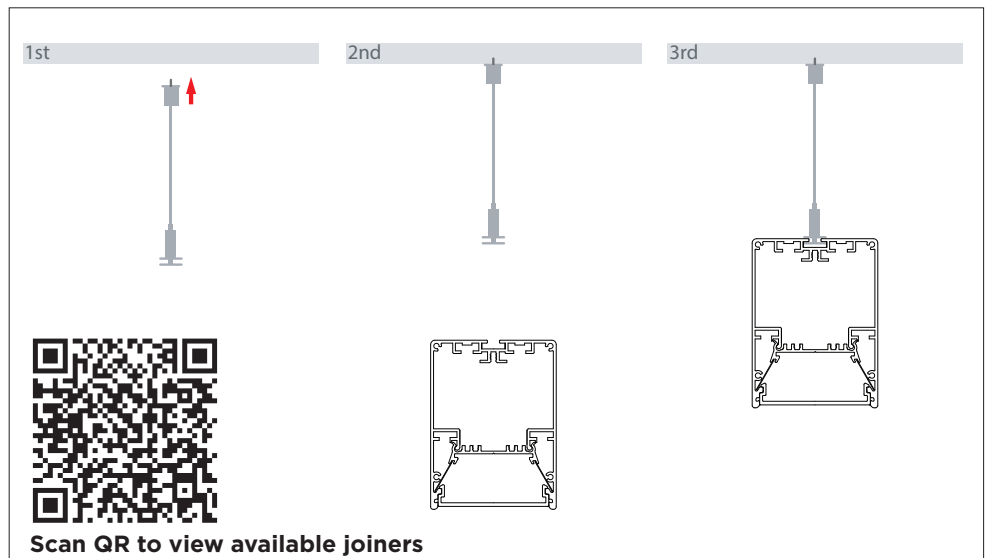
## MEASUREMENTS



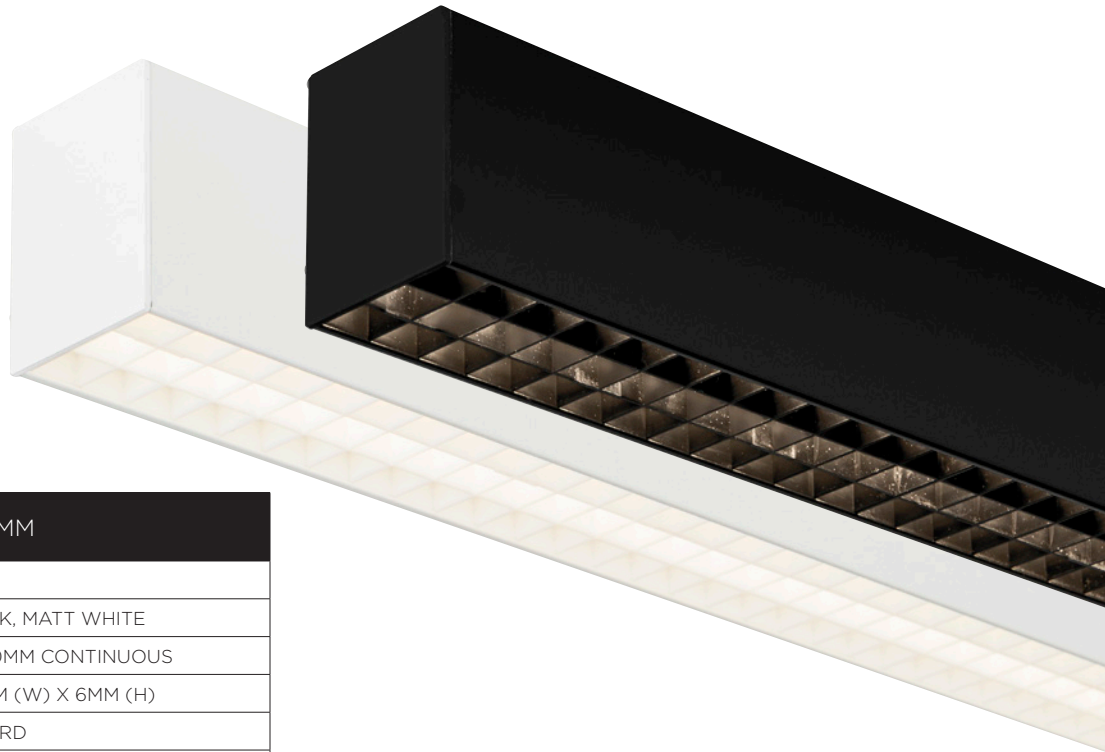
## SUSPENSION KIT



## SAMPLE INSTALLATION METHOD



# 52MM X 70MM SUSPENDED ALUMINIUM PROFILE



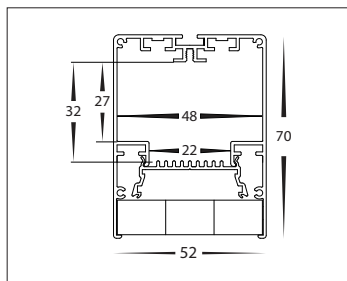
## PRODUCT DATA

52MM X 70MM	
MATERIAL	ALUMINIUM
COLOUR/FINISH	MATT BLACK, MATT WHITE
AVAILABLE LENGTHS	UP TO 3000MM CONTINUOUS
LED STRIP TYPE	UP TO 20MM (W) X 6MM (H)
DIFFUSER TYPE	PC STANDARD
IP RATING	IP20

## PRODUCT ORDERING

ALUMINIUM BLACK		
	<b>HCP-4425271</b>	CUSTOM CUT LENGTH: SUPPLIED WITH 2X END CAPS PER LENGTH
	<b>HCP-4425271-3M</b>	3M LENGTH: SUPPLIED WITH 6X END CAPS
ALUMINIUM WHITE		
	<b>HCP-4435271</b>	CUSTOM CUT LENGTH: SUPPLIED WITH 2X END CAPS PER LENGTH
	<b>HCP-4435271-3M</b>	3M LENGTH: SUPPLIED WITH 6X END CAPS
JOINER		
	<b>HCP-4805270-JOINER</b>	STRAIGHT JOINER
	<b>HCP-4506070-SM</b>	SURFACE MOUNT CLIP

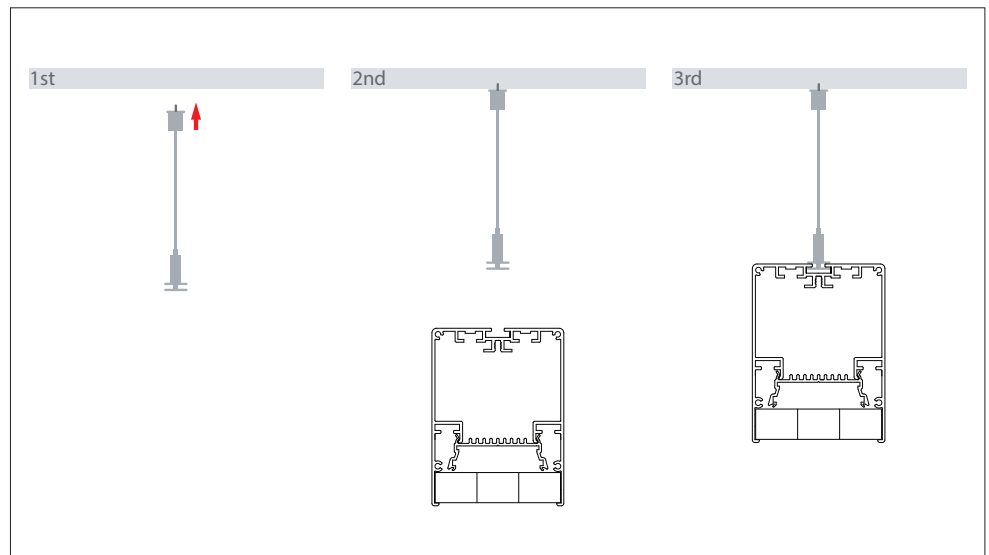
## MEASUREMENTS



## SUSPENSION KIT

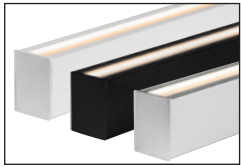


## SAMPLE INSTALLATION METHOD

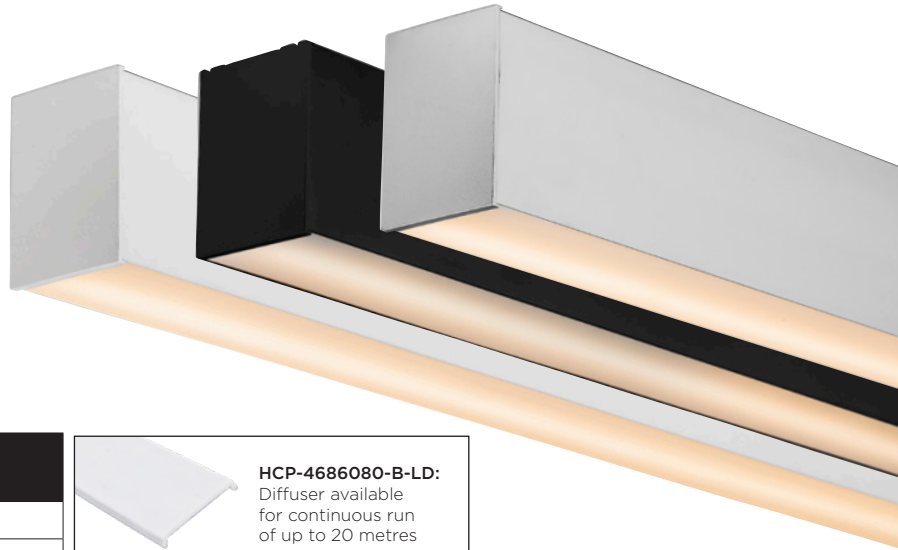


14  
ALUMINIUM PROFILE

# 60MM X 80MM SUSPENDED UP & DOWN ALUMINIUM PROFILE

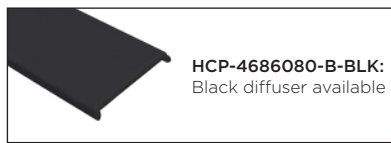


TOP VIEW



## PRODUCT DATA

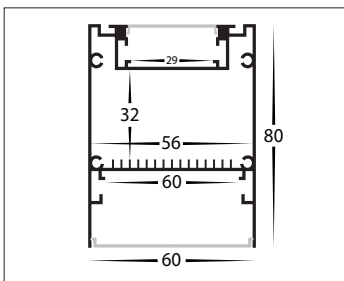
60MM X 80MM	
MATERIAL	ALUMINIUM
COLOUR/FINISH	SILVER, MATT BLACK OR MATT WHITE
AVAILABLE LENGTHS	UP TO 3000MM CONTINUOUS
LED STRIP TYPE	UP TO 30MM (W) X 6MM (H)
DIFFUSER TYPE	PC STANDARD
IP RATING	IP20



## PRODUCT ORDERING

ALUMINIUM SILVER		
	<b>HCP-4416080</b>	CUSTOM CUT LENGTH: SUPPLIED WITH 2X END CAPS PER LENGTH
	<b>HCP-4416080-3M</b>	3 METRE LENGTH: SUPPLIED WITH 6X END CAPS
ALUMINIUM BLACK		
	<b>HCP-4426080</b>	CUSTOM CUT LENGTH: SUPPLIED WITH 2X END CAPS PER LENGTH
	<b>HCP-4426080-3M</b>	3 METRE LENGTH: SUPPLIED WITH 6X END CAPS
ALUMINIUM WHITE		
	<b>HCP-4436080</b>	CUSTOM CUT LENGTH: SUPPLIED WITH 2X END CAPS PER LENGTH
	<b>HCP-4436080-3M</b>	3 METRE LENGTH: SUPPLIED WITH 6X END CAPS
JOINER		
	<b>HCP-4416080-JOINER</b>	JOINER KIT TO ALLOW MULTIPLE LENGTHS TO BE JOINED TO FORM A CONTINUOUS RUN.

## MEASUREMENTS

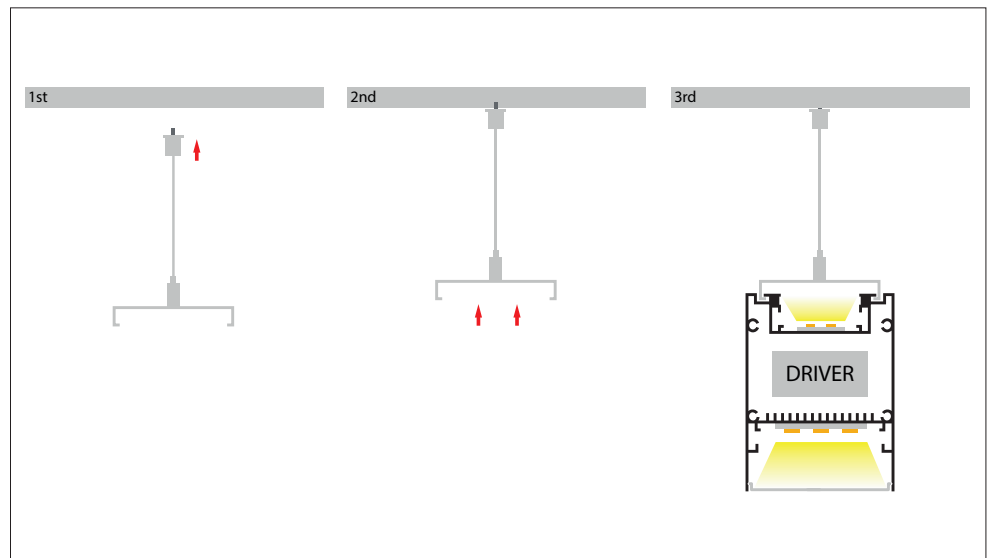


## SUSPENSION KIT

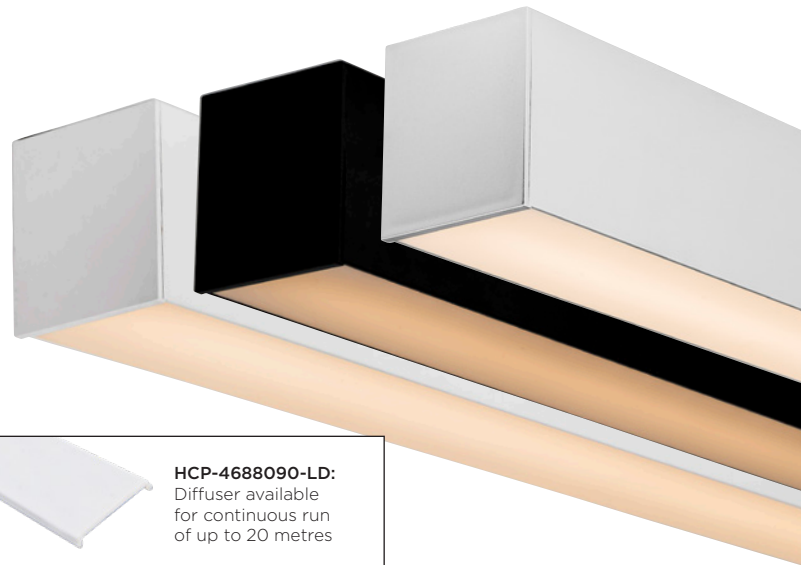


**HCP-480002**

## SAMPLE INSTALLATION METHOD



# 80MM X 90MM SUSPENDED ALUMINIUM PROFILE





## PRODUCT DATA

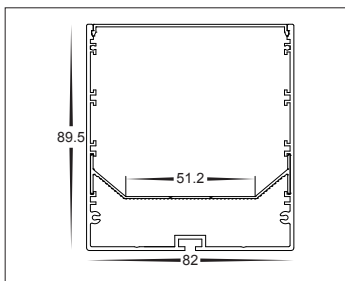
80MM X 90MM	
MATERIAL	ALUMINIUM
COLOUR/FINISH	SILVER, MATT BLACK OR MATT WHITE
AVAILABLE LENGTHS	UP TO 3000MM CONTINUOUS
LED STRIP TYPE	UP TO 50MM (W) X 6MM (H)
DIFFUSER TYPE	PC STANDARD
IP RATING	IP20



## PRODUCT ORDERING

ALUMINIUM SILVER		
	<b>HCP-4418090</b>	CUSTOM CUT LENGTH: SUPPLIED WITH 2X END CAPS PER LENGTH
	<b>HCP-4418090-3M</b>	3 METRE LENGTH: SUPPLIED WITH 6X END CAPS
ALUMINIUM BLACK		
	<b>HCP-4428090</b>	CUSTOM CUT LENGTH: SUPPLIED WITH 2X END CAPS PER LENGTH
	<b>HCP-4428090-3M</b>	3 METRE LENGTH: SUPPLIED WITH 6X END CAPS
ALUMINIUM WHITE		
	<b>HCP-4438090</b>	CUSTOM CUT LENGTH: SUPPLIED WITH 2X END CAPS PER LENGTH
	<b>HCP-4438090-3M</b>	3 METRE LENGTH: SUPPLIED WITH 6X END CAPS
JOINER		
	<b>HCP-4418090-JOINER</b>	JOINER KIT TO ALLOW MULTIPLE LENGTHS TO BE JOINED TO FORM A CONTINUOUS RUN.

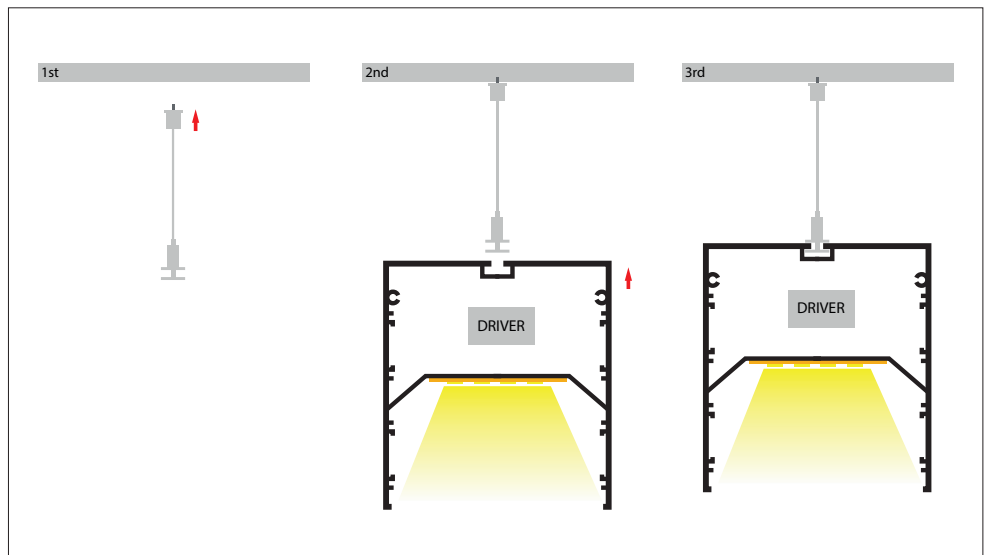
## MEASUREMENTS



## SUSPENSION KIT



## SAMPLE INSTALLATION METHOD



# 18MM X 8MM IP65 SURFACE MOUNTED ALUMINIUM PROFILE



## PRODUCT DATA

18MM X 8MM	
MATERIAL	ALUMINIUM
COLOUR/FINISH	SILVER
AVAILABLE LENGTHS	UP TO 3000MM CONTINUOUS
LED STRIP TYPE	UP TO 10MM (W) X 3MM (H)
DIFFUSER TYPE	PC STANDARD
IP RATING	IP65

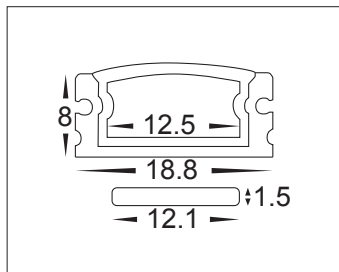
*Powder Coating Available\**



## PRODUCT ORDERING

ALUMINIUM SILVER		
	<b>HCP-4811808</b>	CUSTOM CUT LENGTH: SUPPLIED WITH 2X MOUNTING CLIPS PER METRE + 2X END CAPS + 2X SEALS PER LENGTH
	<b>HCP-4811808-3M</b>	3 METRE LENGTH: SUPPLIED WITH 6X MOUNTING CLIPS + 6X END CAPS + 6X SEALS

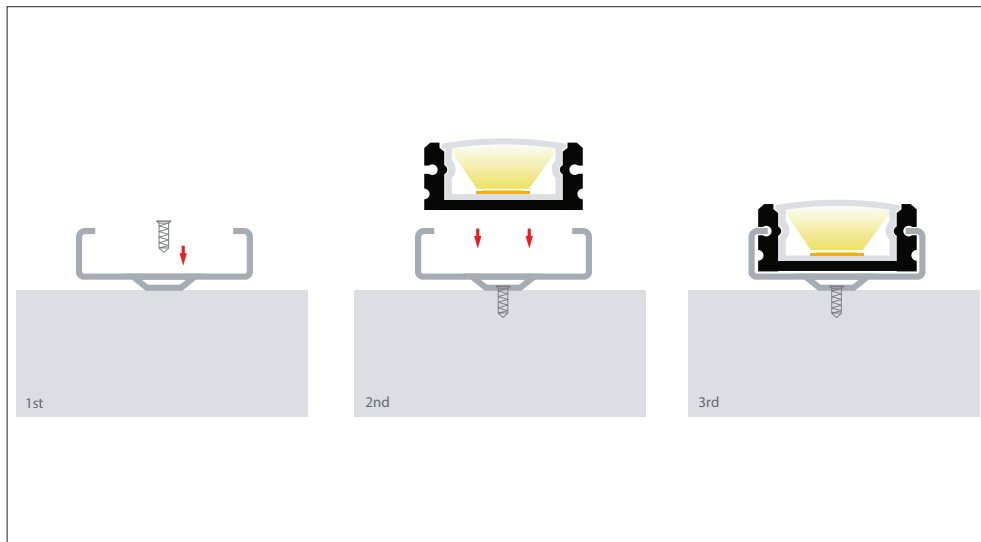
## MEASUREMENTS



## MOUNTING & SEALS



## SAMPLE INSTALLATION METHOD





# 18MM X 13MM IP65 SURFACE MOUNTED ALUMINIUM PROFILE



## PRODUCT DATA

18MM X 13MM	
MATERIAL	ALUMINIUM
COLOUR/FINISH	SILVER
AVAILABLE LENGTHS	UP TO 3000MM CONTINUOUS
LED STRIP TYPE	UP TO 10MM (W) X 3MM (H)
DIFFUSER TYPE	PC STANDARD
IP RATING	IP65

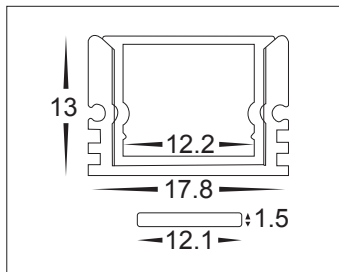
Powder Coating Available\*



## PRODUCT ORDERING

ALUMINIUM SILVER		
	<b>HCP-4811812</b>	CUSTOM CUT LENGTH: SUPPLIED WITH 2X MOUNTING CLIPS PER METRE + 2X END CAPS + 2X SEALS PER LENGTH
	<b>HCP-4811812-3M</b>	3 METRE LENGTH: SUPPLIED WITH 6X MOUNTING CLIPS + 6X END CAPS + 6X SEALS

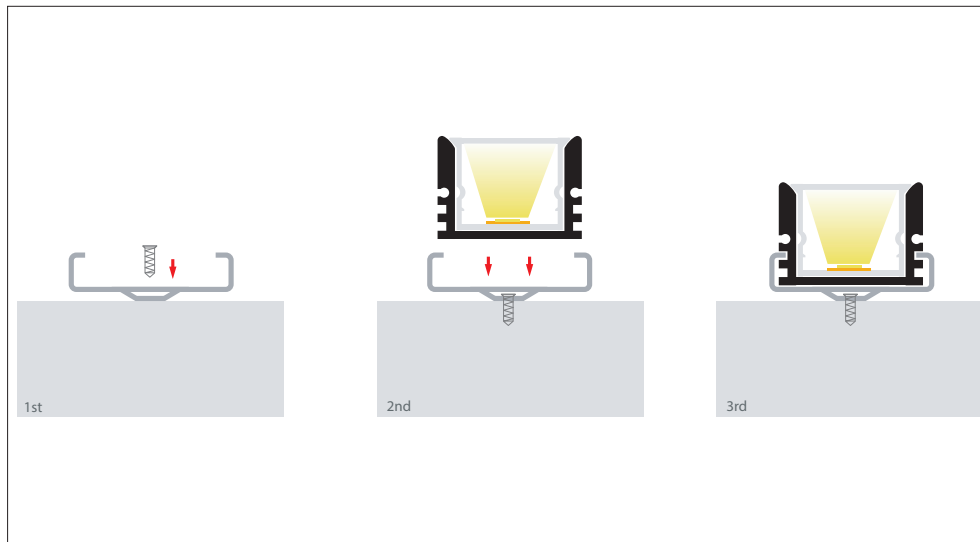
## MEASUREMENTS



## MOUNTING & SEALS

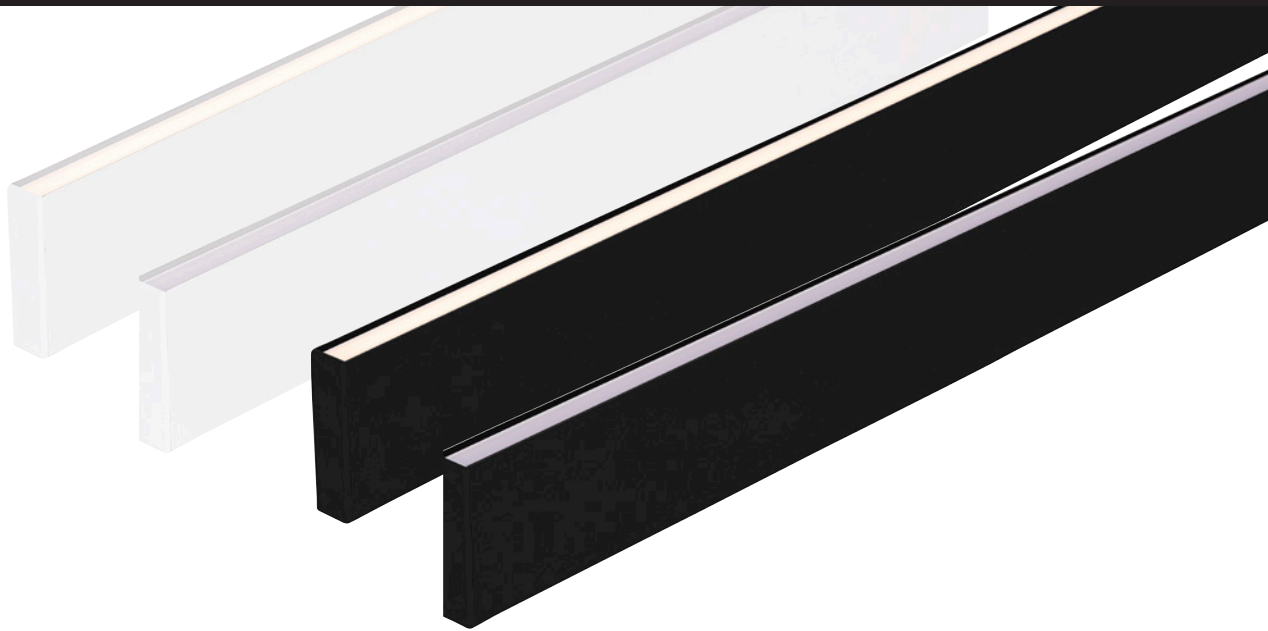


## SAMPLE INSTALLATION METHOD



14  
ALUMINIUM PROFILE

# 11MM X 45MM WALL MOUNT ALUMINIUM PROFILE



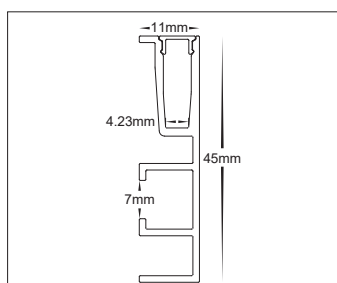
## PRODUCT DATA

11MM X 45MM	
MATERIAL	ALUMINIUM
COLOUR/FINISH	MATT BLACK OR MATT WHITE
AVAILABLE LENGTHS	UP TO 3000MM CONTINUOUS
LED STRIP TYPE	UP TO 4MM (W) X 2MM (H)
DIFFUSER TYPE	PC STANDARD
IP RATING	IP20

## PRODUCT ORDERING

ALUMINIUM BLACK		
	<b>HCP-4821145</b>	CUSTOM CUT LENGTH: SUPPLIED WITH 2X END CAPS + 2X MOUNTING CLIPS PER LENGTH
	<b>HCP-4821145-3M</b>	3M LENGTH: SUPPLIED WITH 6X END CAPS + 6X MOUNTING CLIPS
ALUMINIUM WHITE		
	<b>HCP-4831145</b>	CUSTOM CUT LENGTH: SUPPLIED WITH 2X END CAPS + 2X MOUNTING CLIPS PER LENGTH
	<b>HCP-4831145-3M</b>	3M LENGTH: SUPPLIED WITH 6X END CAPS + 6X MOUNTING CLIPS

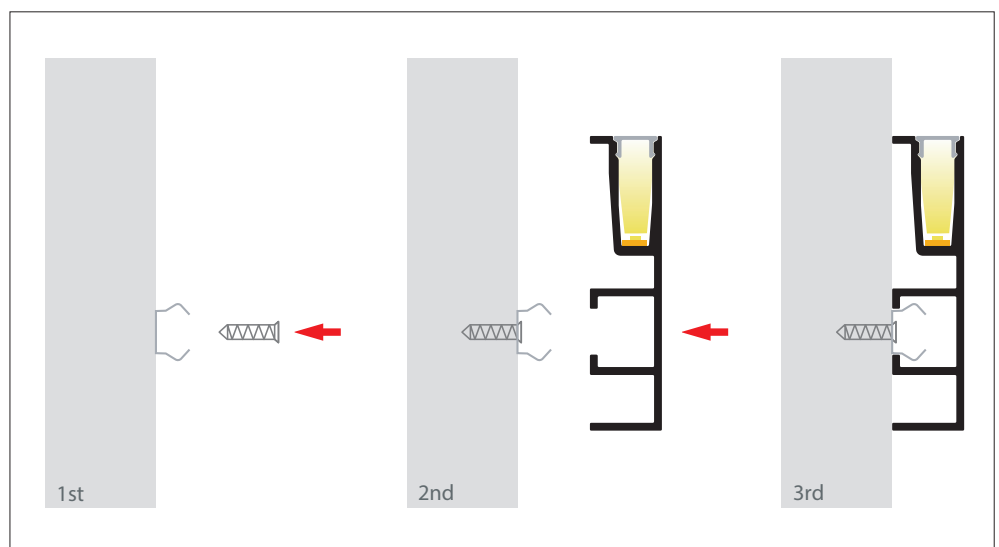
## MEASUREMENTS



## MOUNTING CLIPS



## SAMPLE INSTALLATION METHOD



# 11MM X 70MM WALL MOUNT ALUMINIUM PROFILE



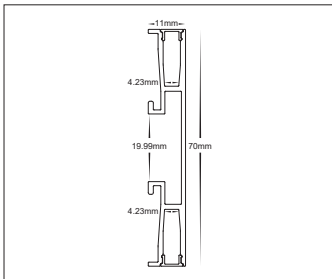
## PRODUCT DATA

11MM X 70MM	
MATERIAL	ALUMINIUM
COLOUR/FINISH	MATT BLACK OR MATT WHITE
AVAILABLE LENGTHS	UP TO 3000MM CONTINUOUS
LED STRIP TYPE	UP TO 4MM (W) X 2MM (H)
DIFFUSER TYPE	PC STANDARD
IP RATING	IP20

## PRODUCT ORDERING

ALUMINIUM BLACK		
	<b>HCP-4821170</b>	CUSTOM CUT LENGTH: SUPPLIED WITH 2X END CAPS + 2X MOUNTING CLIPS PER LENGTH
	<b>HCP-4821170-3M</b>	3M LENGTH: SUPPLIED WITH 6X END CAPS + 6X MOUNTING CLIPS
ALUMINIUM WHITE		
	<b>HCP-4831170</b>	CUSTOM CUT LENGTH: SUPPLIED WITH 2X END CAPS + 2X MOUNTING CLIPS PER LENGTH
	<b>HCP-4831170-3M</b>	3M LENGTH: SUPPLIED WITH 6X END CAPS + 6X MOUNTING CLIPS

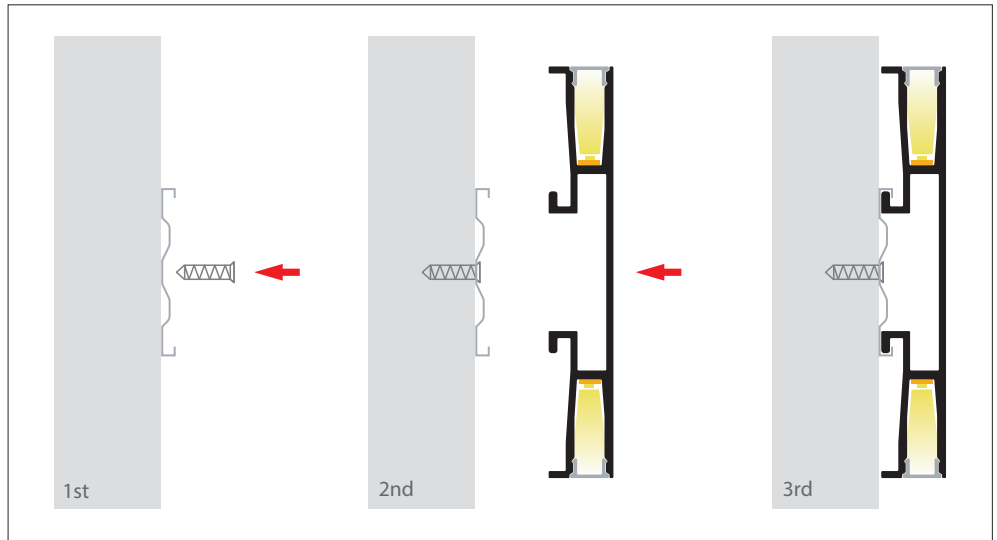
## MEASUREMENTS



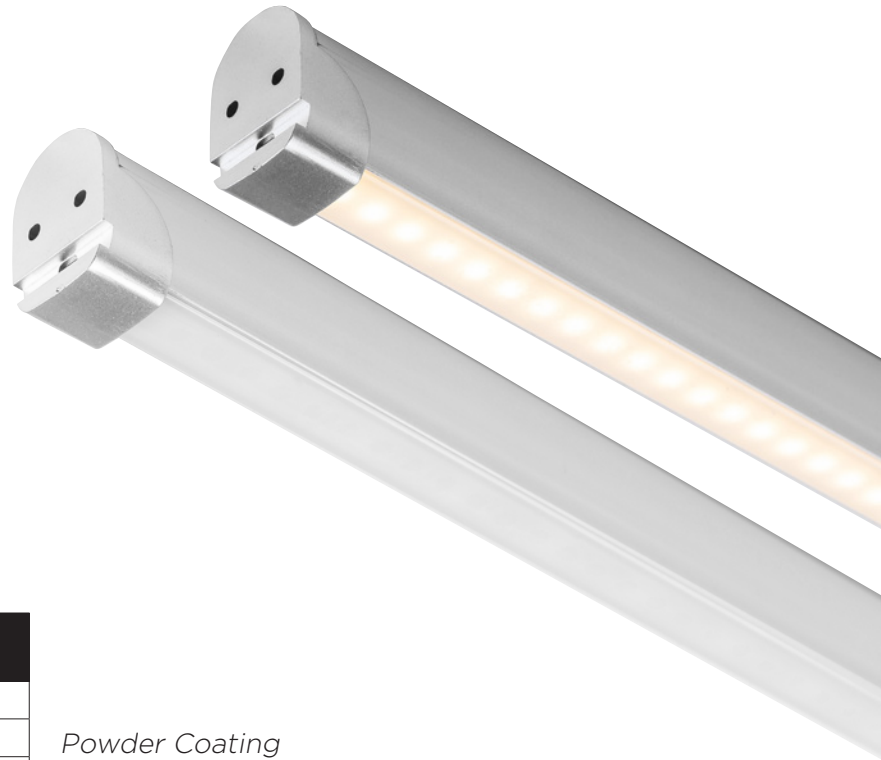
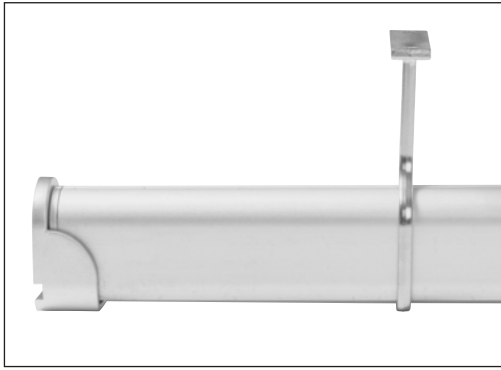
## MOUNTING CLIPS



## SAMPLE INSTALLATION METHOD



# 19MM X 30MM WARDROBE ALUMINIUM PROFILE



## PRODUCT DATA

19MM X 30MM	
MATERIAL	ALUMINIUM
COLOUR/FINISH	SILVER
AVAILABLE LENGTHS	UP TO 3000MM CONTINUOUS
LED STRIP TYPE	UP TO 10MM (W) X 3MM (H)
DIFFUSER TYPE	PC STANDARD
IP RATING	IP20

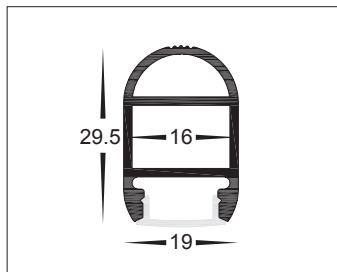
Powder Coating Available\*



## PRODUCT ORDERING

ALUMINIUM SILVER		
	<b>HCP-4911930</b>	CUSTOM CUT LENGTH: SUPPLIED WITH 2X MOUNTING BRACKETS + 2X END CAPS PER LENGTH
	<b>HCP-4911930-3M</b>	3 METRE LENGTH: SUPPLIED WITH 6X MOUNTING BRACKETS + 6X END CAPS
	<b>HCP-4911930-CR</b>	CENTRE MOUNTING ROD (RECOMMENDED TO BE USED EVERY 500MM)

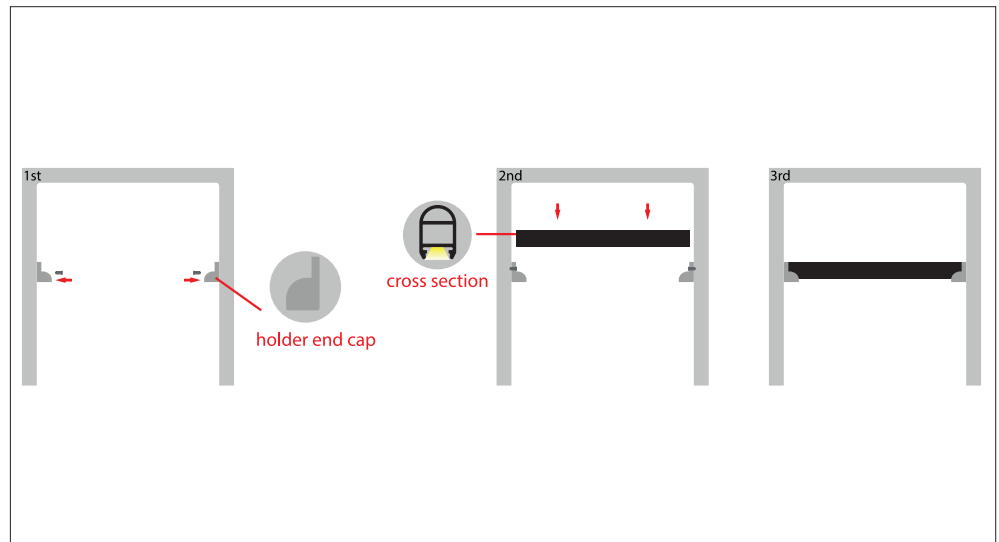
## MEASUREMENTS



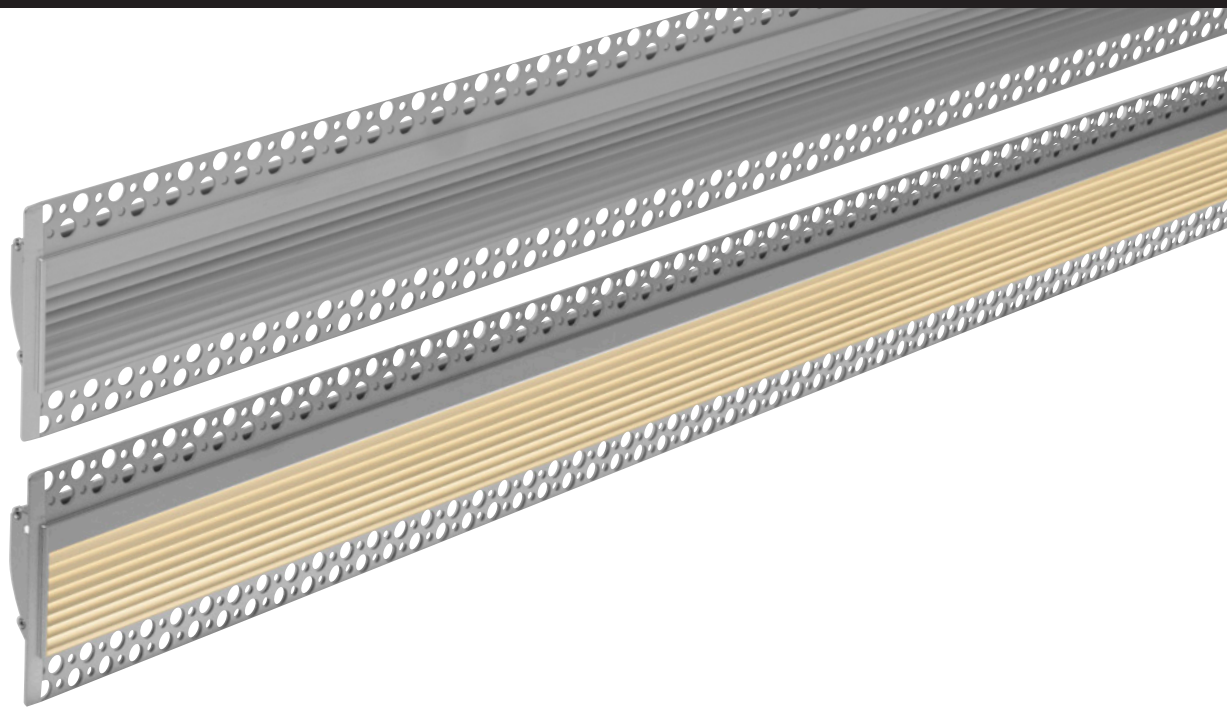
## MOUNTING BRACKETS



## SAMPLE INSTALLATION METHOD



# 19MM X 96MM GYPROCK ALUMINIUM PROFILE



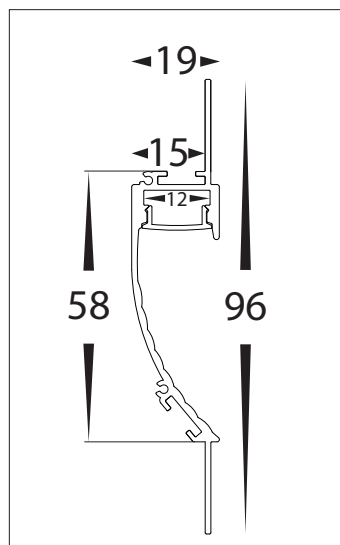
## PRODUCT DATA

19MM X 96MM	
MATERIAL	ALUMINIUM
COLOUR/FINISH	SILVER
AVAILABLE LENGTHS	UP TO 3000MM CONTINUOUS
LED STRIP TYPE	UP TO 10MM (W) X 2MM (H)
DIFFUSER TYPE	PC STANDARD
IP RATING	IP20

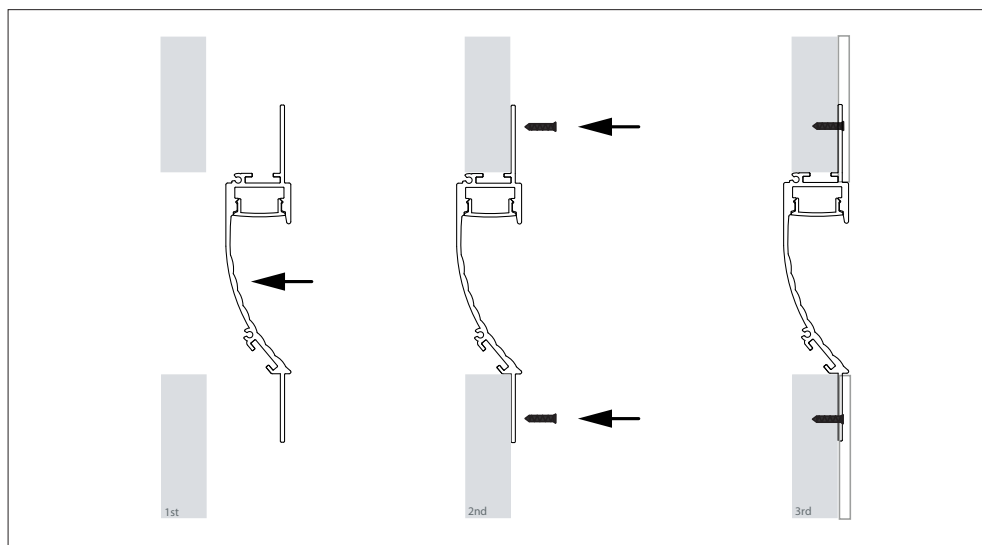
## PRODUCT ORDERING

ALUMINIUM SILVER		
	<b>HCP-4911897</b>	CUSTOM CUT LENGTH: SUPPLIED WITH 2X END CAPS PER LENGTH
	<b>HCP-4911897-3M</b>	3M LENGTH: SUPPLIED WITH 6X END CAPS

## MEASUREMENTS



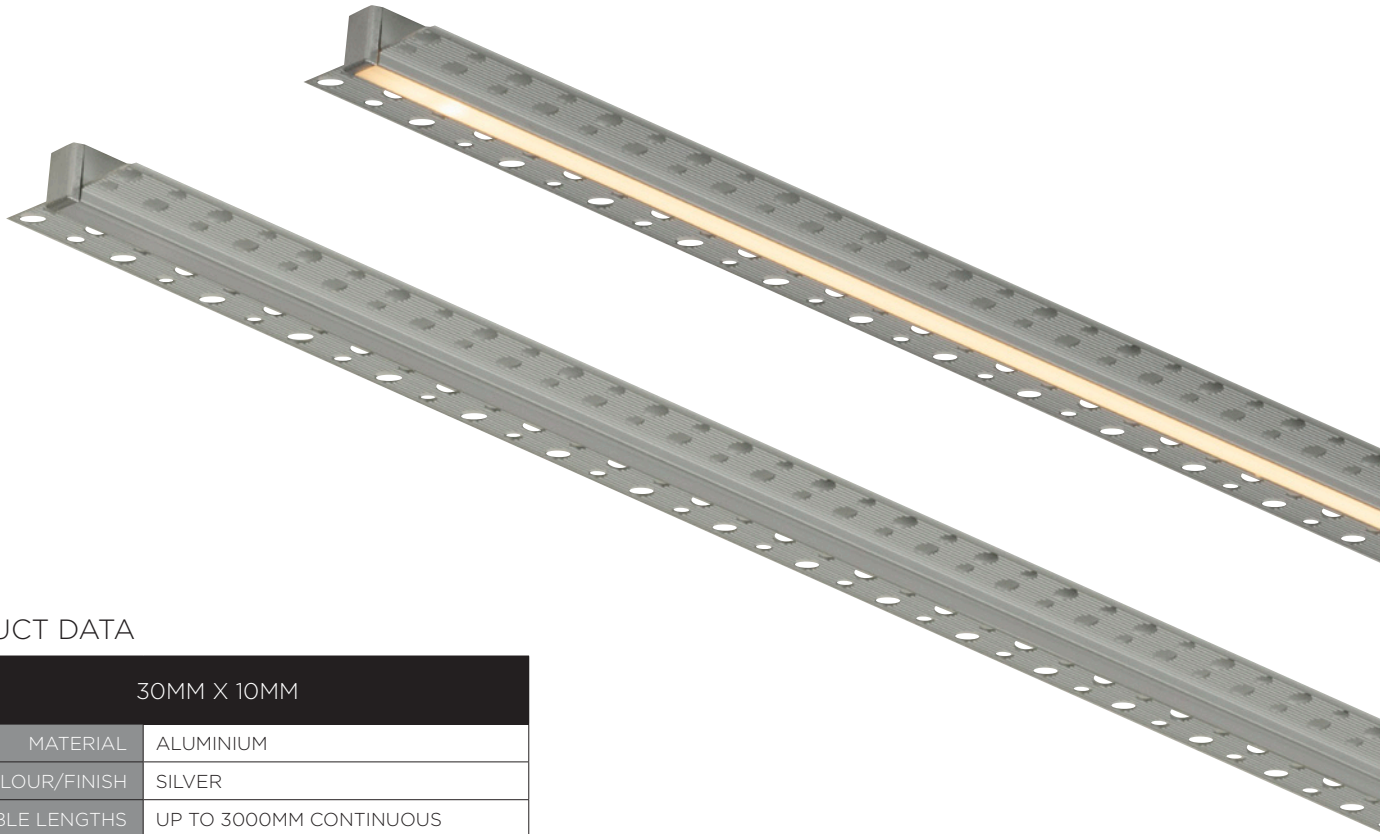
## SAMPLE INSTALLATION METHOD



14  
ALUMINIUM PROFILE



# 30MM X 10MM GYPROCK ALUMINIUM PROFILE



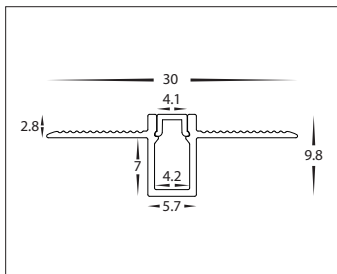
## PRODUCT DATA

30MM X 10MM	
MATERIAL	ALUMINIUM
COLOUR/FINISH	SILVER
AVAILABLE LENGTHS	UP TO 3000MM CONTINUOUS
LED STRIP TYPE	UP TO 4MM (W) X 2MM (H)
DIFFUSER TYPE	PC STANDARD
IP RATING	IP20

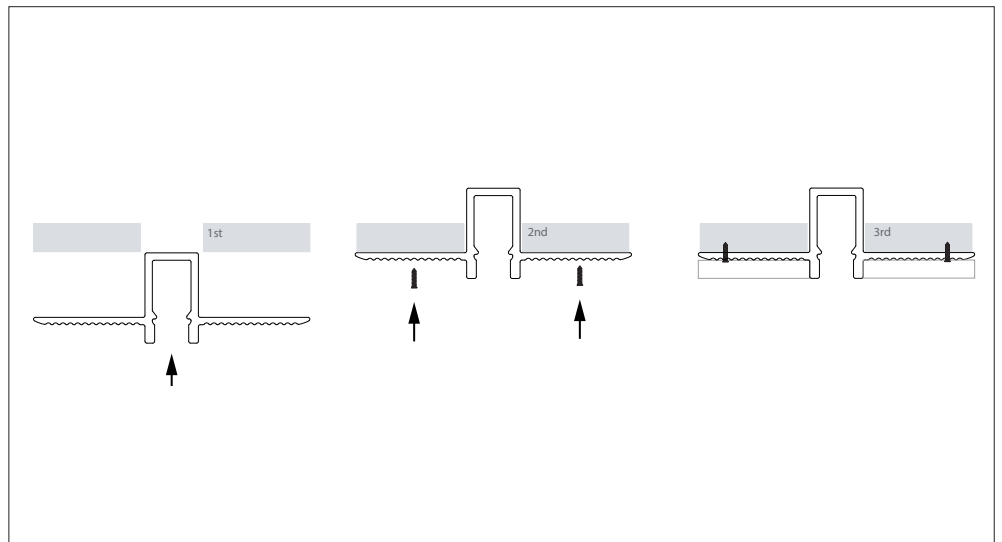
## PRODUCT ORDERING

ALUMINIUM SILVER		
	<b>HCP-4913010</b>	CUSTOM CUT LENGTH: SUPPLIED WITH 2X END CAPS PER LENGTH
	<b>HCP-4913010-3M</b>	3M LENGTH: SUPPLIED WITH 6X END CAPS

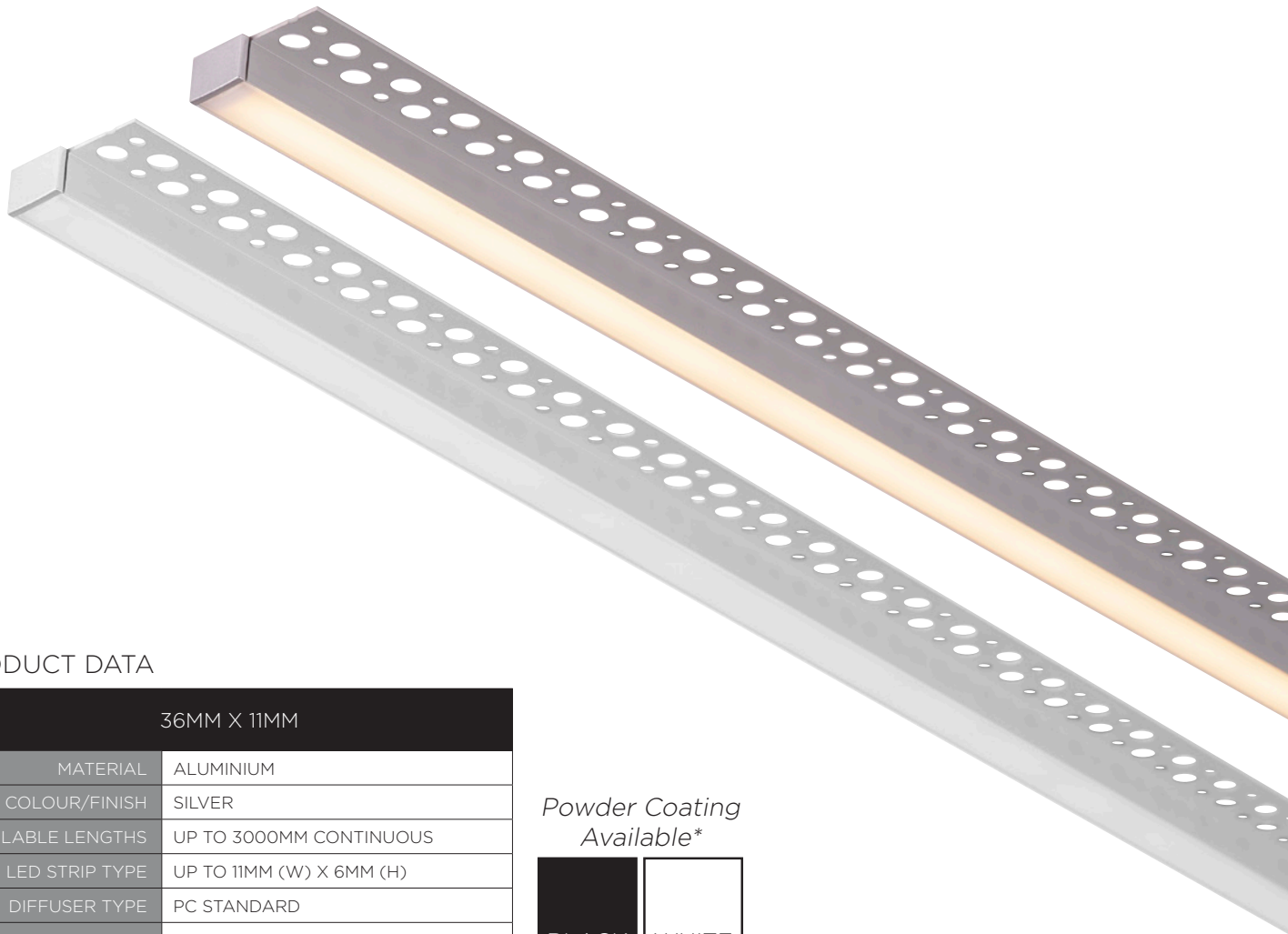
## MEASUREMENTS



## SAMPLE INSTALLATION METHOD



# 36MM X 11MM GYPROCK ALUMINIUM PROFILE



## PRODUCT DATA

36MM X 11MM	
MATERIAL	ALUMINIUM
COLOUR/FINISH	SILVER
AVAILABLE LENGTHS	UP TO 3000MM CONTINUOUS
LED STRIP TYPE	UP TO 11MM (W) X 6MM (H)
DIFFUSER TYPE	PC STANDARD
IP RATING	IP20

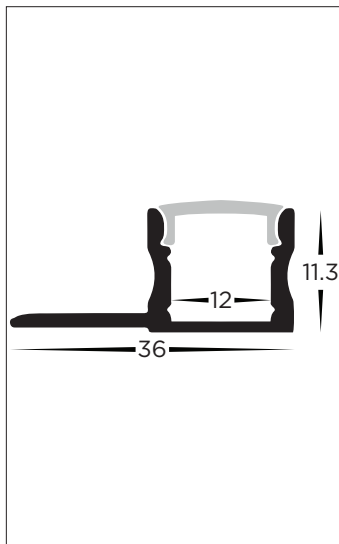
Powder Coating Available\*



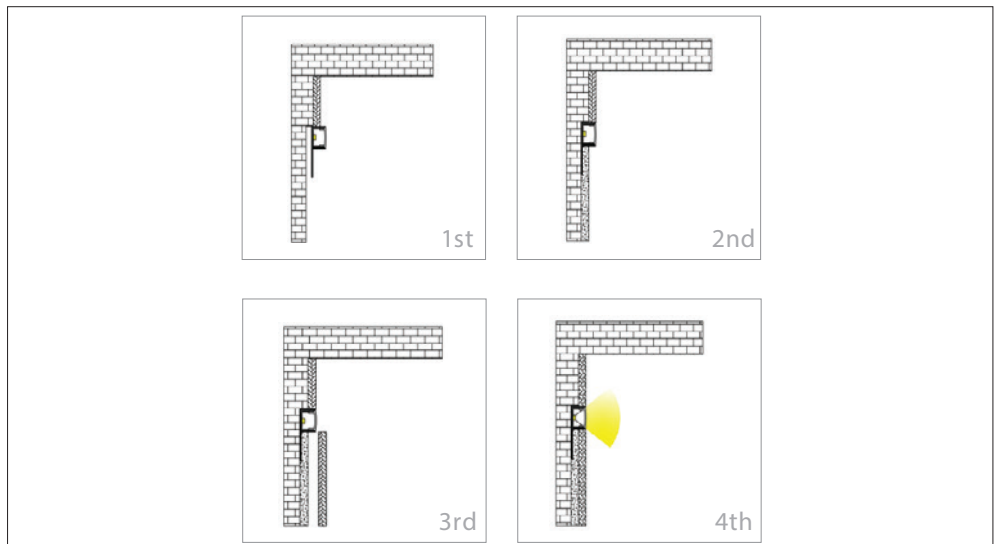
## PRODUCT ORDERING

ALUMINIUM SILVER		
	<b>HCP-4913611</b>	CUSTOM CUT LENGTH: SUPPLIED WITH 2X END CAPS PER LENGTH
	<b>HCP-4913611-3M</b>	3M LENGTH: SUPPLIED WITH 6X END CAPS

## MEASUREMENTS

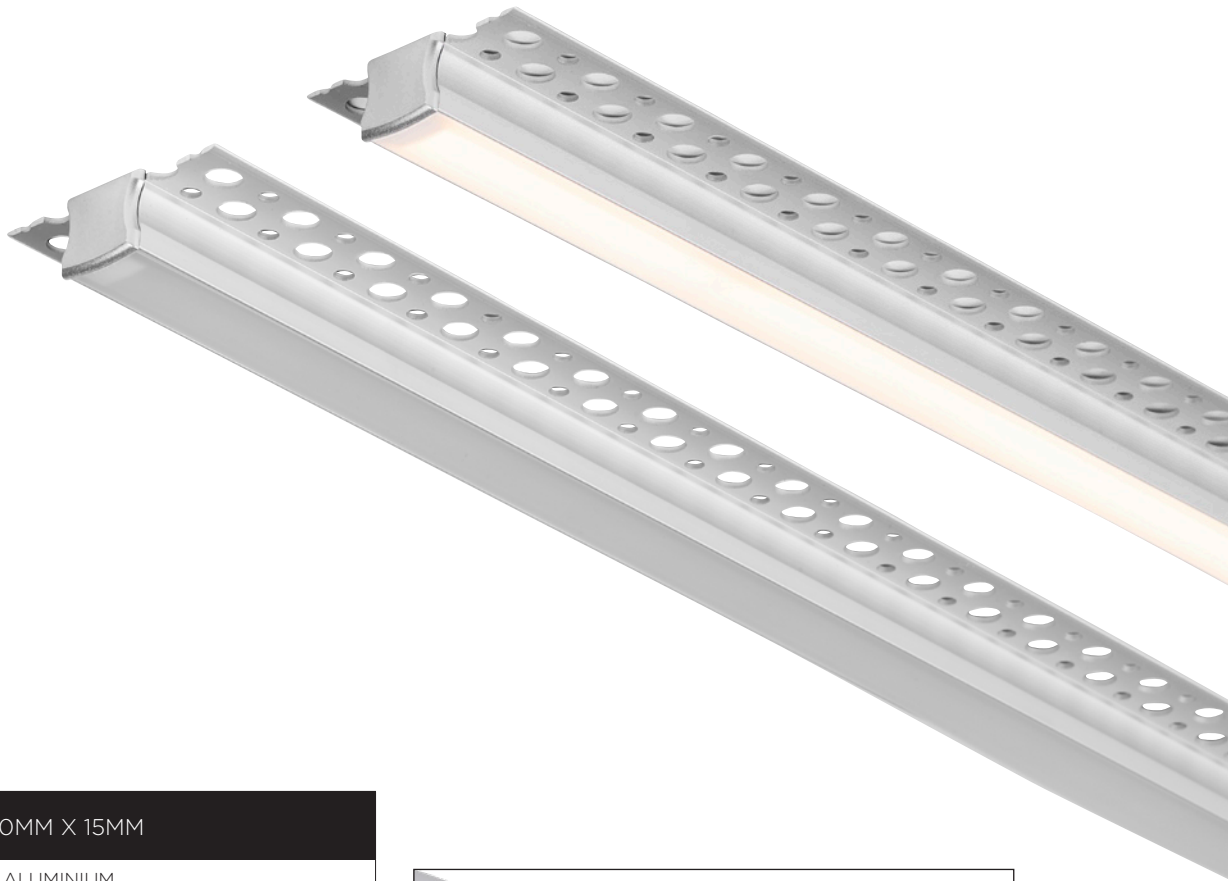


## SAMPLE INSTALLATION METHOD





# 50MM X 15MM GYPROCK ALUMINIUM PROFILE



## PRODUCT DATA

50MM X 15MM	
MATERIAL	ALUMINIUM
COLOUR/FINISH	SILVER
AVAILABLE LENGTHS	UP TO 3000MM CONTINUOUS
LED STRIP TYPE	UP TO 10MM (W) X 3MM (H)
DIFFUSER TYPE	PC STANDARD
IP RATING	IP20

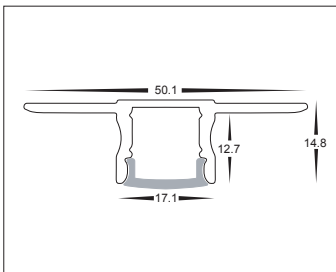


**HCP-4685015-LD:**  
Diffuser available for continuous run of up to 20 metres

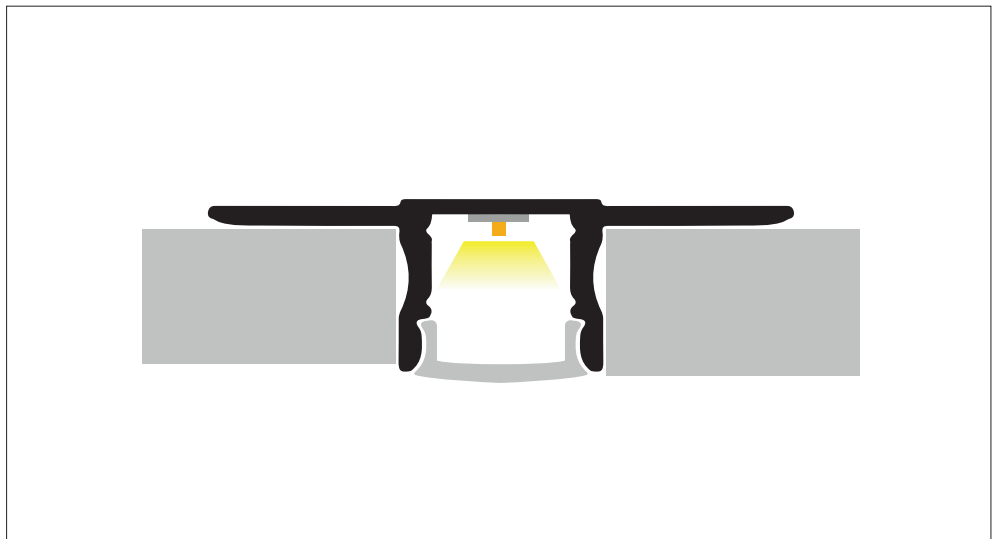
## PRODUCT ORDERING

ALUMINIUM SILVER		
	<b>HCP-4915015</b>	CUSTOM CUT LENGTH: SUPPLIED WITH 2X END CAPS PER LENGTH
	<b>HCP-4915015-3M</b>	3 METRE LENGTH: SUPPLIED WITH 6X END CAPS

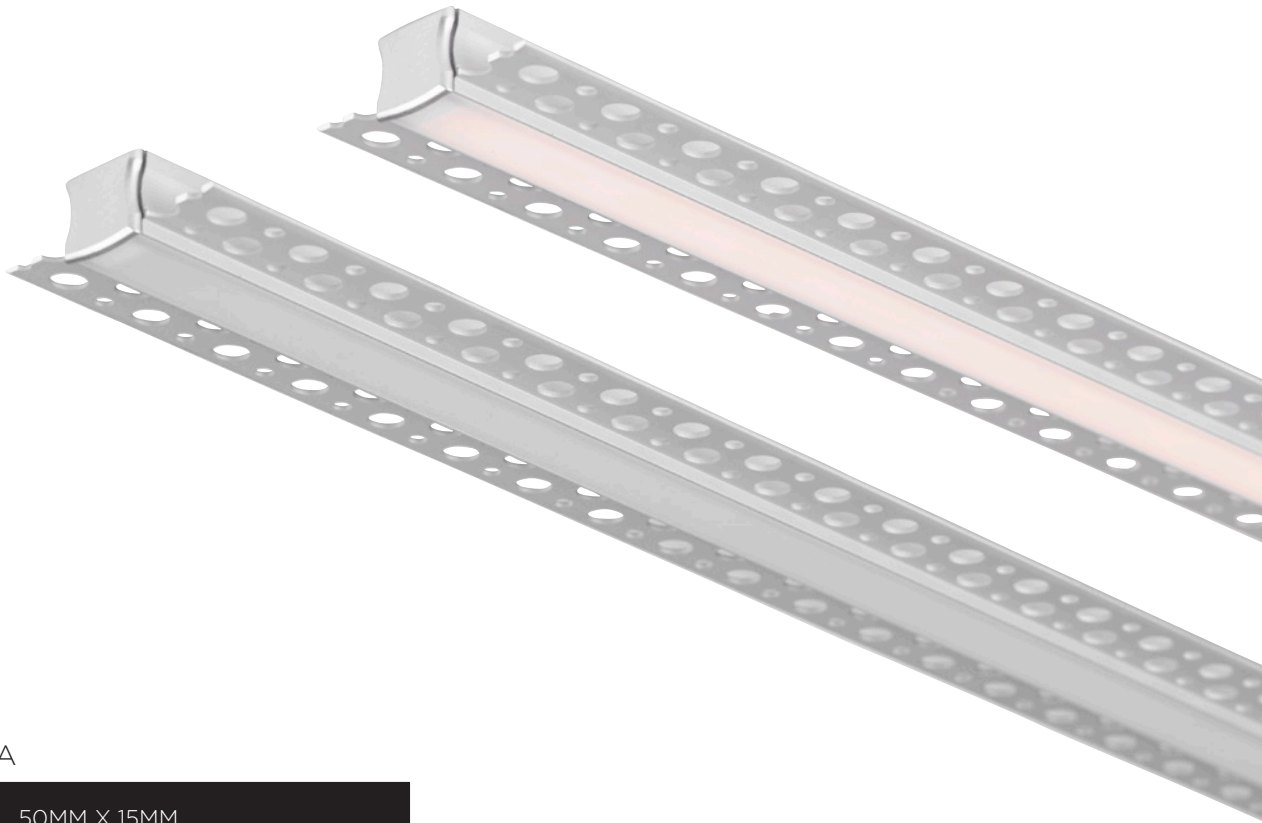
## MEASUREMENTS



## SAMPLE INSTALLATION METHOD



# 50MM X 15MM GYPROCK ALUMINIUM PROFILE



## PRODUCT DATA

50MM X 15MM	
MATERIAL	ALUMINIUM
COLOUR/FINISH	SILVER
AVAILABLE LENGTHS	UP TO 3000MM CONTINUOUS
LED STRIP TYPE	UP TO 10MM (W) X 3MM (H)
DIFFUSER TYPE	PC STANDARD
IP RATING	IP20

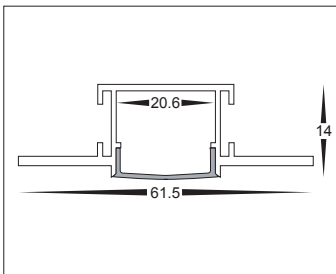


**HCP-4685115-LD:**  
Diffuser available for continuous run of up to 20 metres

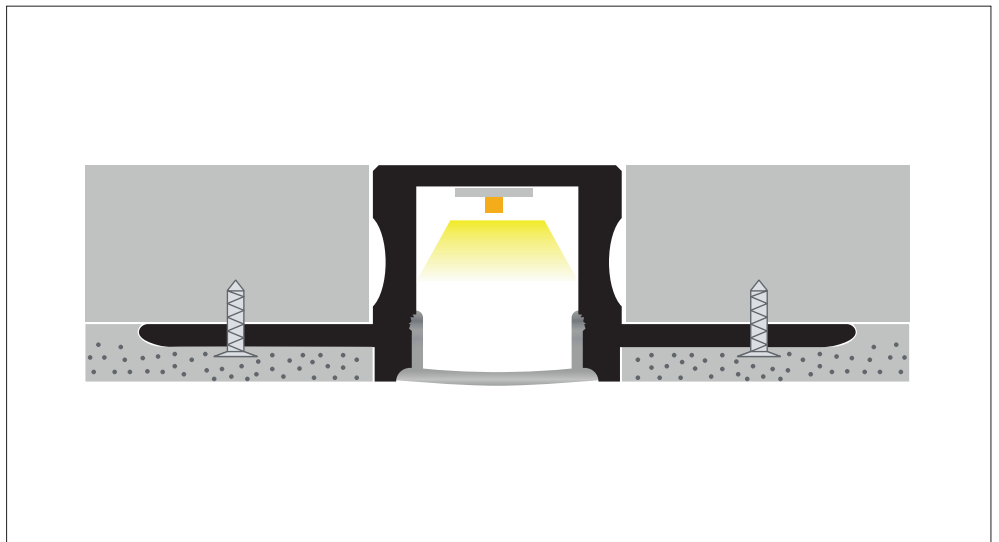
## PRODUCT ORDERING

ALUMINIUM SILVER		
	<b>HCP-4915115</b>	CUSTOM CUT LENGTH: SUPPLIED WITH 2X END CAPS PER LENGTH
	<b>HCP-4915115-3M</b>	3 METRE LENGTH: SUPPLIED WITH 6X END CAPS

## MEASUREMENTS



## SAMPLE INSTALLATION METHOD



# 62MM X 14MM GYPROCK ALUMINIUM PROFILE



## PRODUCT DATA

62MM X 14MM	
MATERIAL	ALUMINIUM
COLOUR/FINISH	SILVER
AVAILABLE LENGTHS	UP TO 3000MM CONTINUOUS
LED STRIP TYPE	UP TO 20MM (W) X 6MM (H)
DIFFUSER TYPE	PC STANDARD
IP RATING	IP20

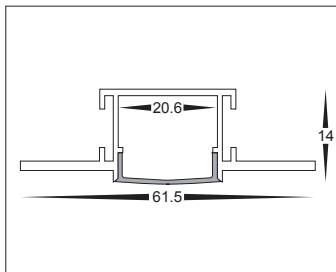


**HCP-4686214-LD:**  
Diffuser available for continuous run of up to 20 metres

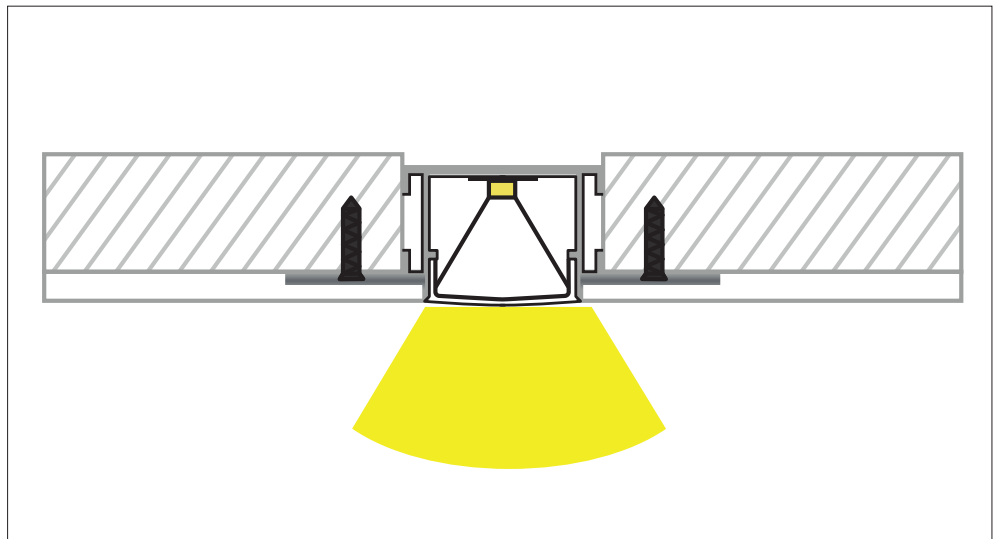
## PRODUCT ORDERING

ALUMINIUM SILVER		
	<b>HCP-4916214</b>	CUSTOM CUT LENGTH: SUPPLIED WITH 2X END CAPS PER LENGTH
	<b>HCP-4916214-3M</b>	3 METRE LENGTH: SUPPLIED WITH 6X END CAPS

## MEASUREMENTS



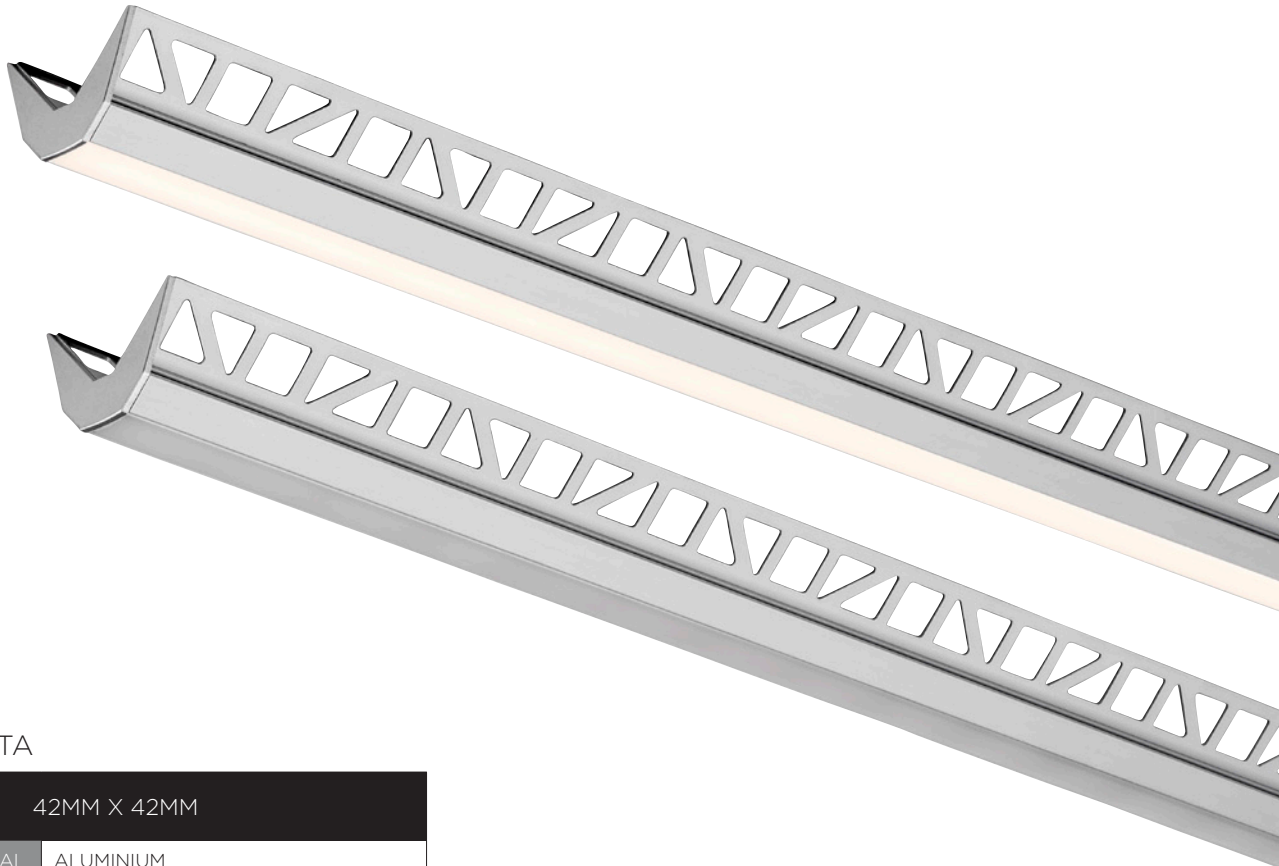
## SAMPLE INSTALLATION METHOD



14

ALUMINIUM PROFILE

# 42MM X 42MM GYPROCK ALUMINIUM PROFILE



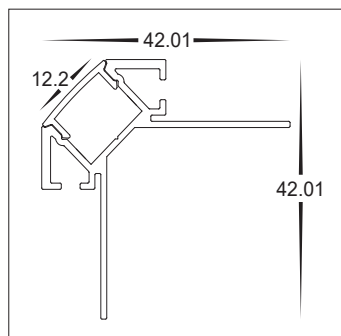
## PRODUCT DATA

42MM X 42MM	
MATERIAL	ALUMINIUM
COLOUR/FINISH	SILVER
AVAILABLE LENGTHS	UP TO 3000MM CONTINUOUS
LED STRIP TYPE	UP TO 12MM (W) X 3MM (W)
DIFFUSER TYPE	PC STANDARD
IP RATING	IP20

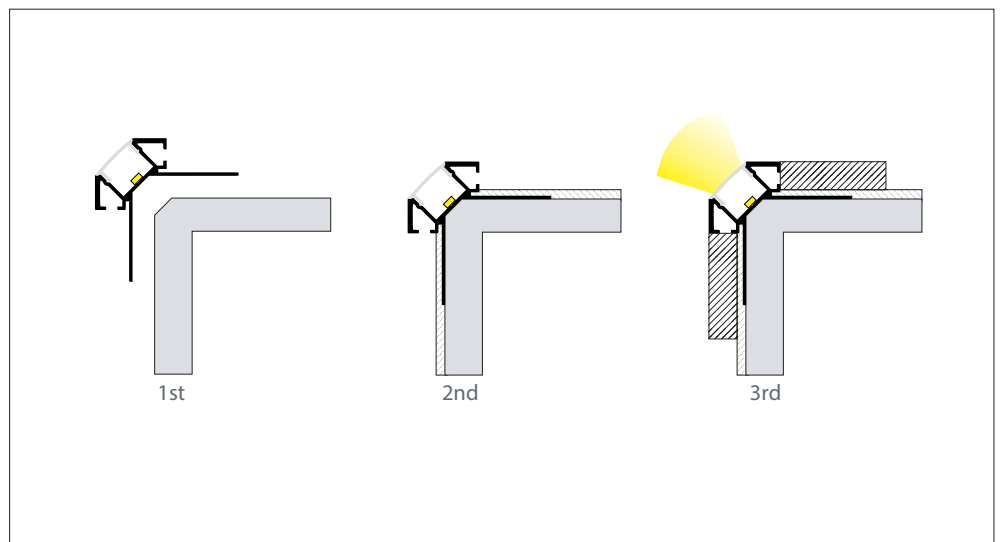
## PRODUCT ORDERING

ALUMINIUM SILVER		
	<b>HCP-4914242</b>	CUSTOM CUT LENGTH: SUPPLIED WITH 2X END CAPS PER LENGTH
	<b>HCP-4914242-3M</b>	3 METRE LENGTH: SUPPLIED WITH 6X END CAPS

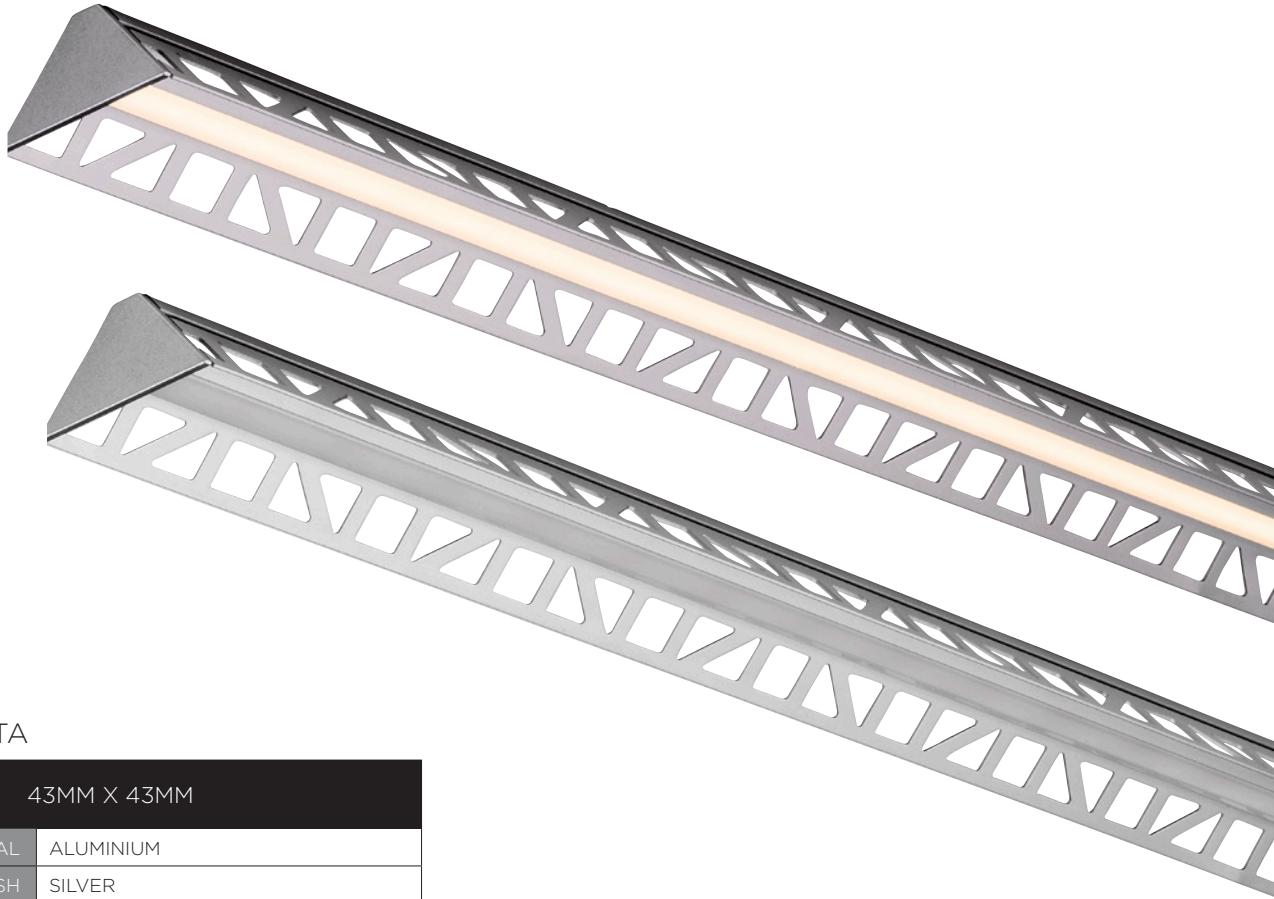
## MEASUREMENTS



## SAMPLE INSTALLATION METHOD



# 43MM X 43MM GYPROCK ALUMINIUM PROFILE



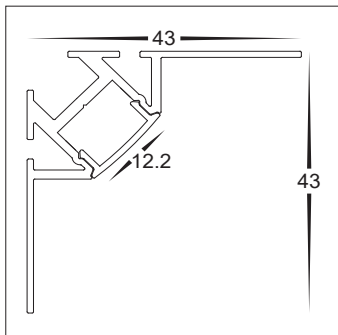
## PRODUCT DATA

43MM X 43MM	
MATERIAL	ALUMINIUM
COLOUR/FINISH	SILVER
AVAILABLE LENGTHS	UP TO 3000MM CONTINUOUS
LED STRIP TYPE	UP TO 12MM (W) X 3MM (W)
DIFFUSER TYPE	PC STANDARD
IP RATING	IP20

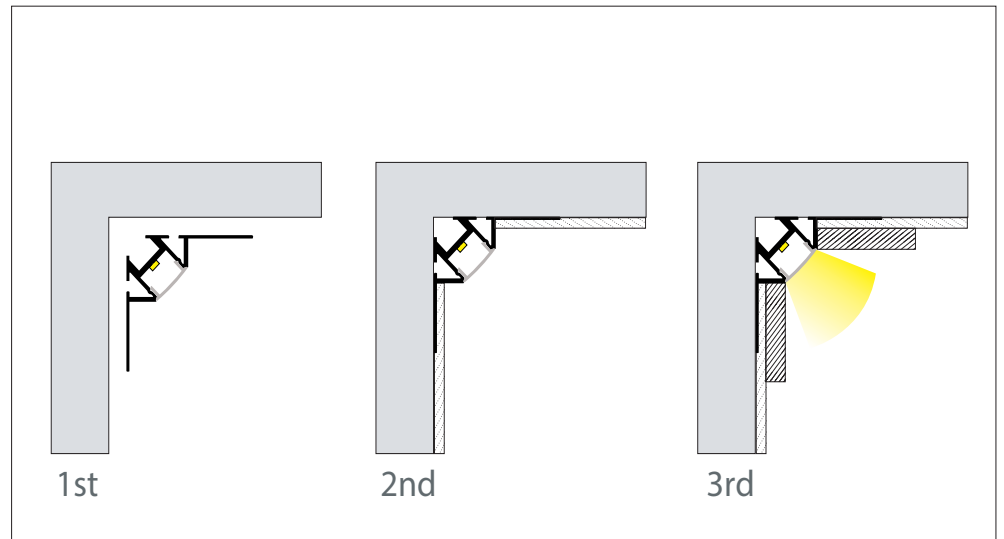
## PRODUCT ORDERING

ALUMINIUM SILVER		
	<b>HCP-4914343</b>	CUSTOM CUT LENGTH: SUPPLIED WITH 2X END CAPS PER LENGTH
	<b>HCP-4914343-3M</b>	3 METRE LENGTH: SUPPLIED WITH 6X END CAPS

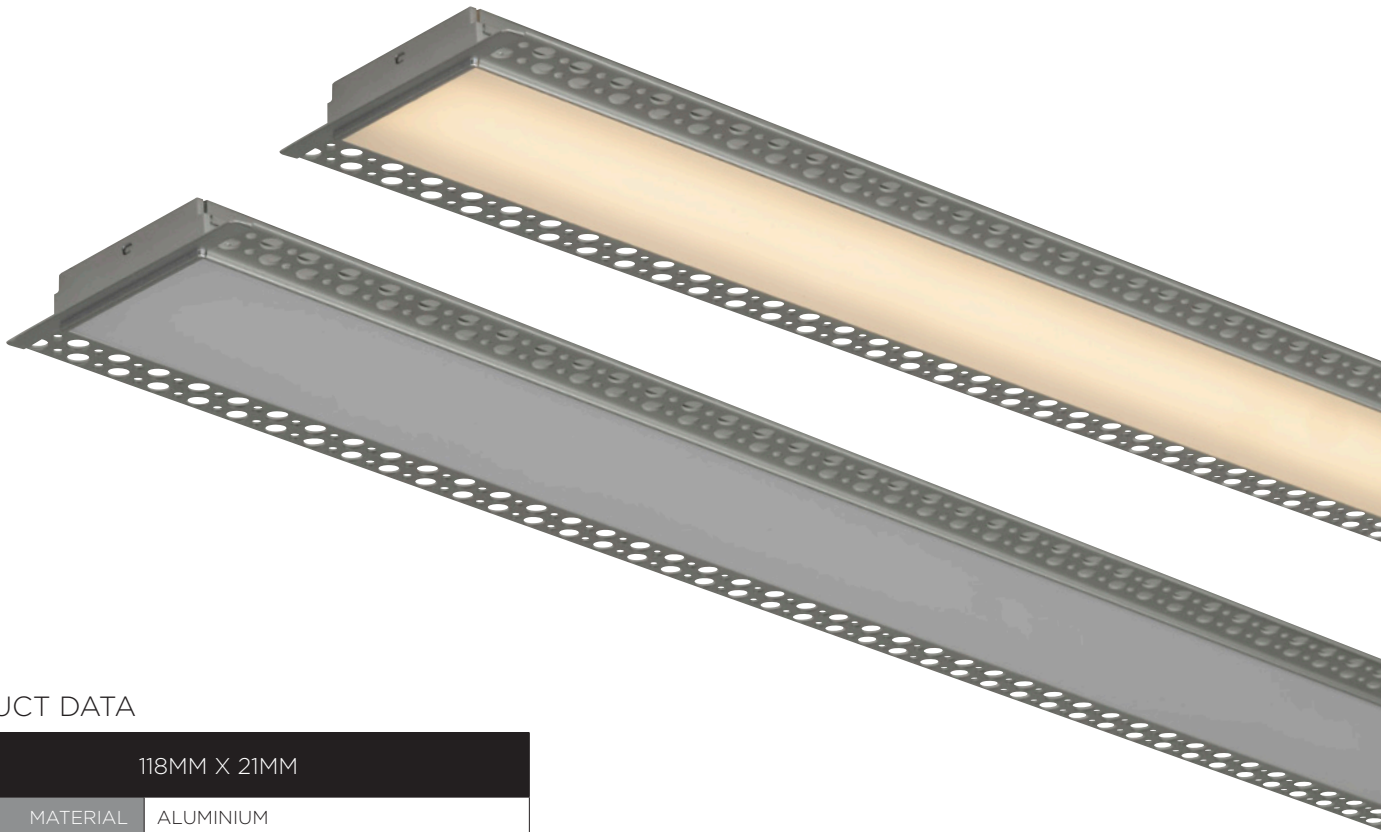
## MEASUREMENTS



## SAMPLE INSTALLATION METHOD



# 118MM X 21MM GYPROCK ALUMINIUM PROFILE



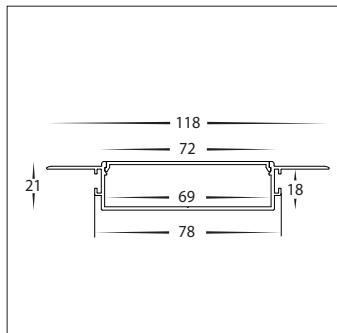
## PRODUCT DATA

118MM X 21MM	
MATERIAL	ALUMINIUM
COLOUR/FINISH	SILVER
AVAILABLE LENGTHS	UP TO 3000MM CONTINUOUS
LED STRIP TYPE	UP TO 20MM (W) X 6MM (H)
DIFFUSER TYPE	PC STANDARD
IP RATING	IP20

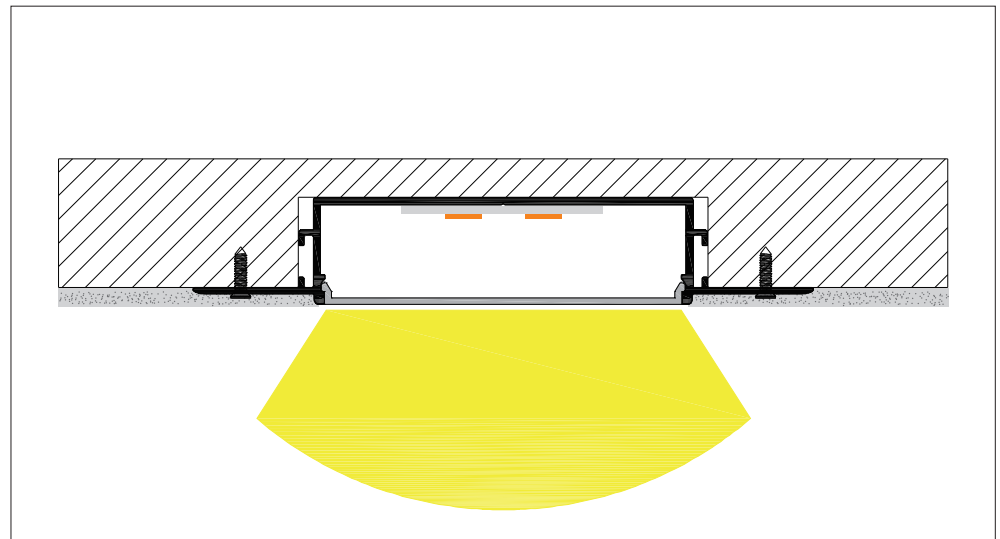
## PRODUCT ORDERING

ALUMINIUM SILVER		
	<b>HCP-49111820</b>	CUSTOM CUT LENGTH: SUPPLIED WITH 2X END CAPS PER LENGTH
	<b>HCP-49111820-3M</b>	3M LENGTH: SUPPLIED WITH 6X END CAPS

## MEASUREMENTS



## SAMPLE INSTALLATION METHOD



# 60MM X 20MM STEP TREAD ALUMINIUM PROFILE



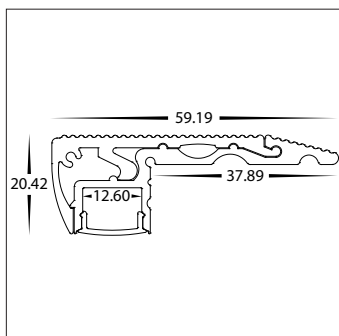
## PRODUCT DATA

60MM X 20MM	
MATERIAL	ALUMINIUM
COLOUR/FINISH	SILVER
AVAILABLE LENGTHS	UP TO 3000MM CONTINUOUS
LED STRIP TYPE	UP TO 10MM (W) X 3MM (H)
DIFFUSER TYPE	PC STANDARD
IP RATING	IP20

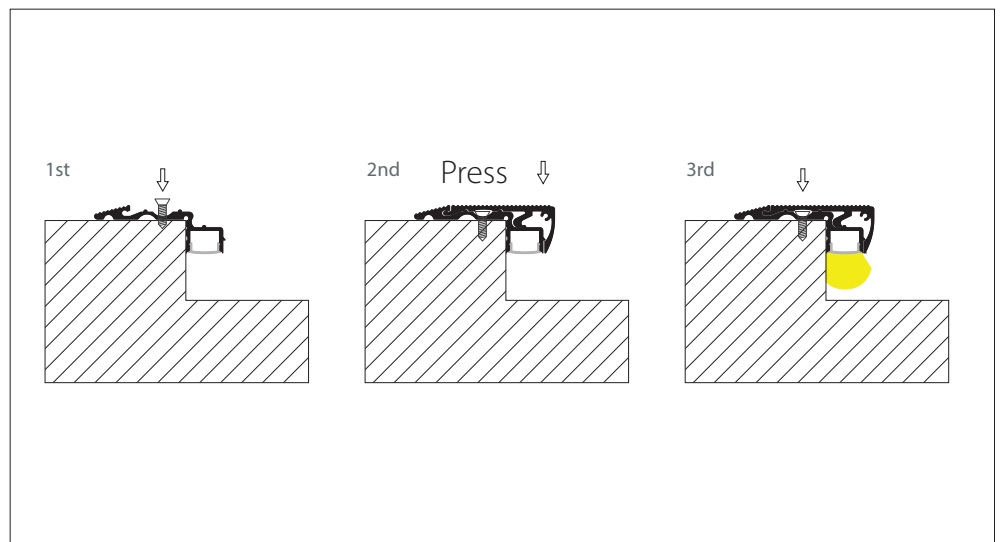
## PRODUCT ORDERING

ALUMINIUM SILVER		
	<b>HCP-4916020</b>	CUSTOM CUT LENGTH: SUPPLIED WITH 2X END CAPS PER LENGTH
	<b>HCP-4916020-3M</b>	3M LENGTH: SUPPLIED WITH 6X END CAPS

## MEASUREMENTS



## SAMPLE INSTALLATION METHOD



14  
ALUMINIUM PROFILE

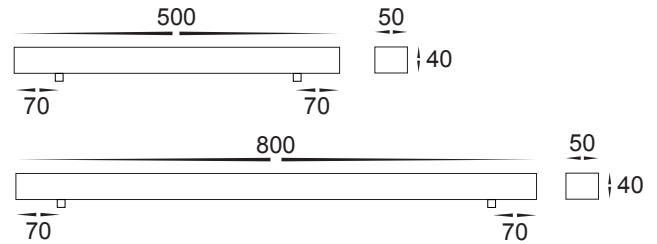
# ALUMINIUM HEAT SINK

ALUMINIUM HEAT SINK	
MATERIAL	ALUMINIUM
COLOUR/FINISH	SILVER
AVAILABLE LENGTHS	UP TO 3000MM CONTINUOUS
LED STRIP TYPE	UP TO 20MM
INSTALLATION TYPE	SURFACE MOUNTED
IP RATING	IP20



10MM X 3MM ALUMINIUM HEAT SINK		
	<b>HCP-4141003</b>	CUSTOM CUT LENGTH: CUT TO SUPPLIED MEASUREMENTS UP TO 3000MM
	<b>HCP-4141003-3M</b>	3 METRE LENGTH
16MM X 3MM ALUMINIUM HEAT SINK		
	<b>HCP-4141603</b>	CUSTOM CUT LENGTH: CUT TO SUPPLIED MEASUREMENTS UP TO 3000MM
	<b>HCP-4141603-3M</b>	3 METRE LENGTH
20MM X 3MM ALUMINIUM HEAT SINK		
	<b>HCP-4142003</b>	CUSTOM CUT LENGTH: CUT TO SUPPLIED MEASUREMENTS UP TO 3000MM
	<b>HCP-4142003-3M</b>	3 METRE LENGTH

ALUMINIUM BAR CANOPIES	
MATERIAL	ALUMINIUM
COLOUR/FINISH	MATT BLACK, MATT WHITE, SATIN CHROME
WEIGHT LIMITS	2KG
INSTALLATION TYPE	SURFACE MOUNT
IP RATING	IP20



<p>500MM PENDANT CANOPY</p> <p><b>HCP-482008</b></p> 	<p>800MM PENDANT CANOPY</p> <p><b>HCP-482009</b></p> 
<p>500MM PENDANT CANOPY</p> <p><b>HCP-483008</b></p> 	<p>800MM PENDANT CANOPY</p> <p><b>HCP-483009</b></p> 
<p>500MM PENDANT CANOPY</p> <p><b>HCP-484008</b></p> 	<p>800MM PENDANT CANOPY</p> <p><b>HCP-484009</b></p> 



ALUMINIUM CANOPIES	
MATERIAL	ALUMINIUM
COLOUR/FINISH	MATT BLACK, MATT WHITE, SATIN CHROME
WEIGHT LIMITS	SURFACE MOUNT = 2KG
	RECESSED = 1KG
INSTALLATION TYPE	SURFACE MOUNT OR RECESSED
CUT OUT	90MM (RECESSED MODELS ONLY)
IP RATING	IP20

70MM ROUND SURFACE MOUNT		
<p><b>HCP-482001</b></p> 	<p><b>HCP-483001</b></p> 	<p><b>HCP-484001</b></p> 
100MM ROUND RECESSED		
<p><b>HCP-482002 (90MM CUT OUT)</b></p> 	<p><b>HCP-483002 (90MM CUT OUT)</b></p> 	<p><b>HCP-484002 (90MM CUT OUT)</b></p> 
100X100MM SQUARE RECESSED		
<p><b>HCP-482003 (90MM CUT OUT)</b></p> 	<p><b>HCP-483003 (90MM CUT OUT)</b></p> 	<p><b>HCP-484003 (90MM CUT OUT)</b></p> 
100MM ROUND SURFACE MOUNT		
<p><b>HCP-482004</b></p> 	<p><b>HCP-483004</b></p> 	<p><b>HCP-484004</b></p> 
100X100MM SQUARE SURFACE MOUNT		
<p><b>HCP-482005</b></p> 	<p><b>HCP-483005</b></p> 	<p><b>HCP-484005</b></p> 

**14**  
ALUMINIUM PROFILE

# 24V DC WEATHERPROOF LED DRIVERS

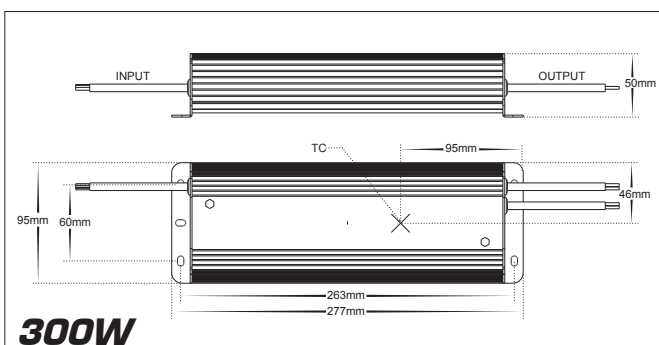
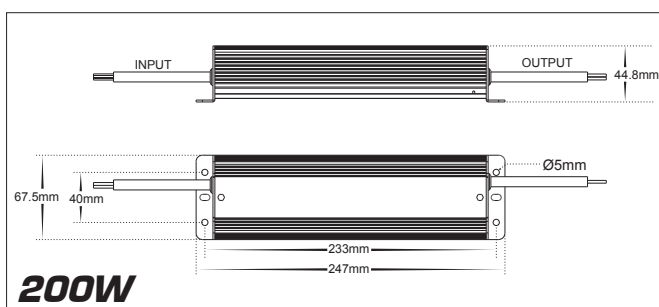
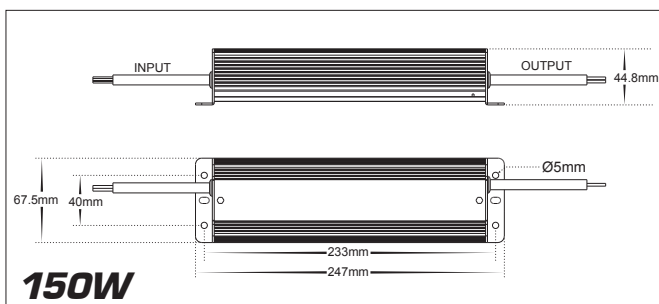
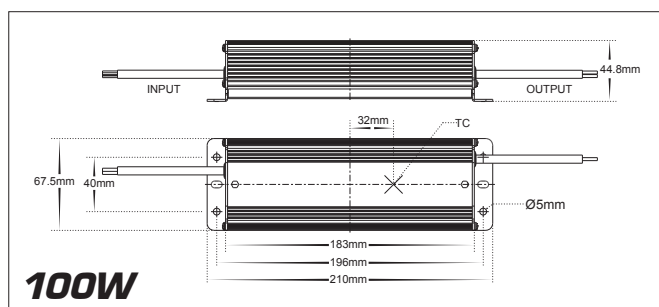
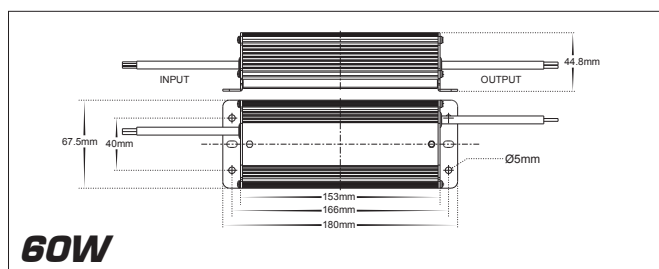
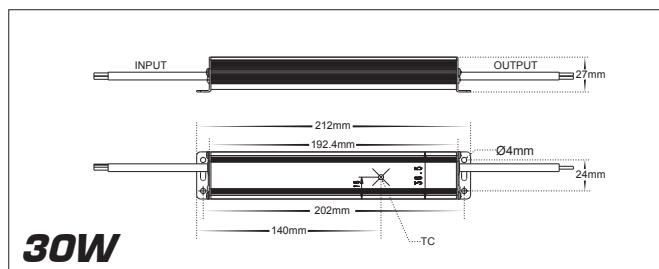
## PRODUCT DATA

24V DC IP66 LED DRIVERS	
MATERIAL	ALUMINIUM
COLOUR/FINISH	SILVER
WORKING TEMPERATURE	-25°C TO +50°C
OVERLOAD PROTECTION	YES
SHORT CIRCUIT PROTECTION	YES
OVER VOLTAGE PROTECTION	YES
DIMMING	NO
INPUT VOLTAGE	240V AC (SUPPLIED WITH FLEX & PLUG)
OUTPUT VOLTAGE	24v DC CONSTANT VOLTAGE
DRIVER POWER	30W   60W   100W   150W   200W   300W
RECOMMENDED MAX. LOAD	24W   48W   80W   120W   160W   240W
IP RATING	IP66

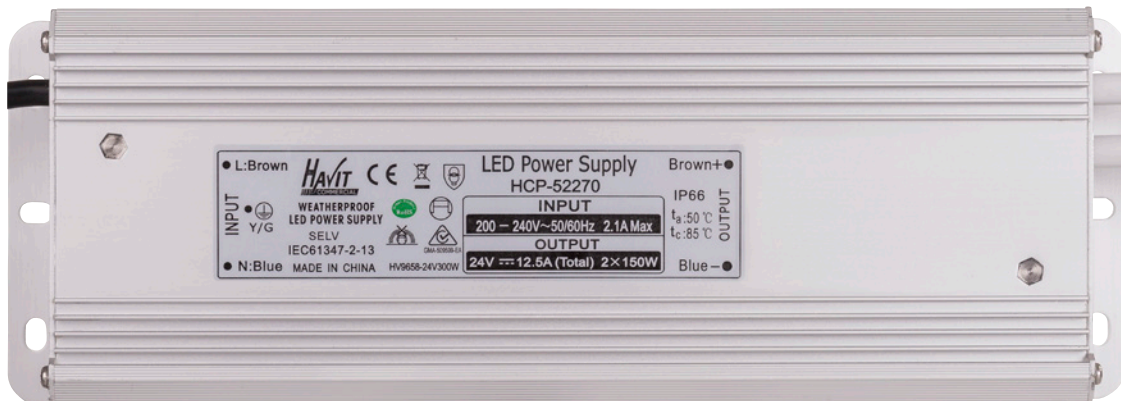
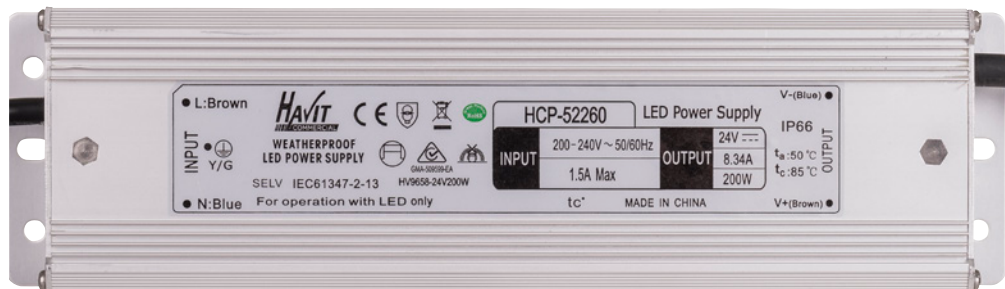
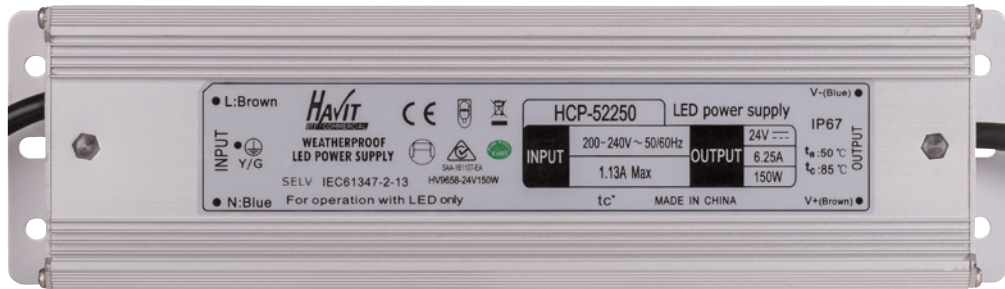
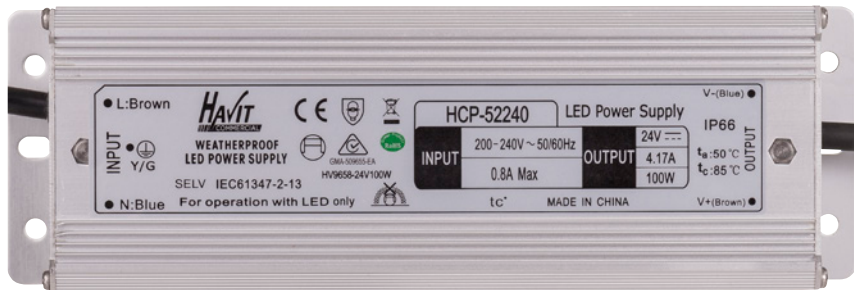
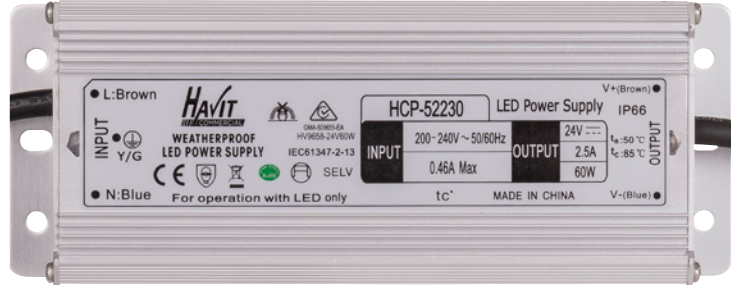
## PRODUCT ORDERING

WEATHERPROOF DRIVERS		
	30W	<b>HCP-52220</b>
	60W	<b>HCP-52230</b>
	100W	<b>HCP-52240</b>
	150W	<b>HCP-52250</b>
	200W	<b>HCP-52260</b>
	300W	<b>HCP-52270</b>

## OTHER DATA



# 24V DC WEATHERPROOF LED DRIVERS



# 24V DC TRIAC DIMMABLE LED DRIVER

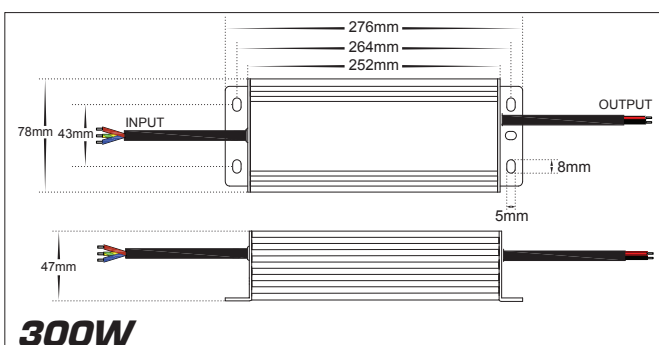
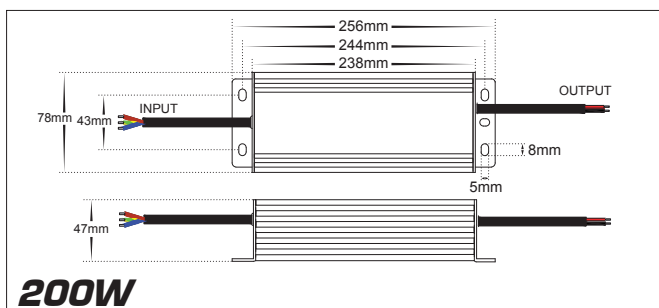
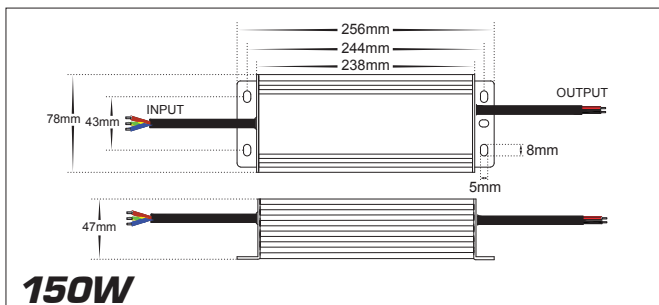
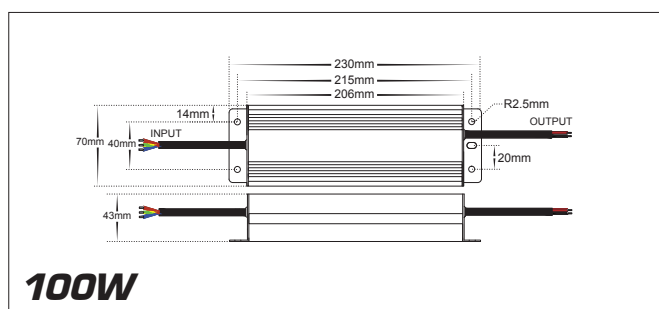
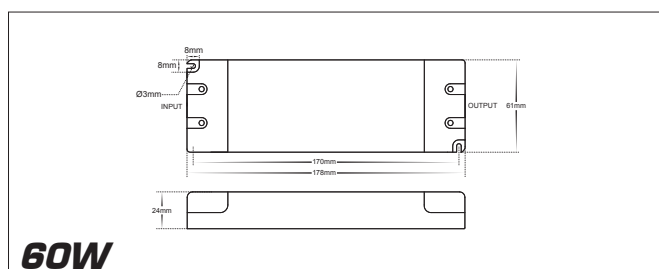
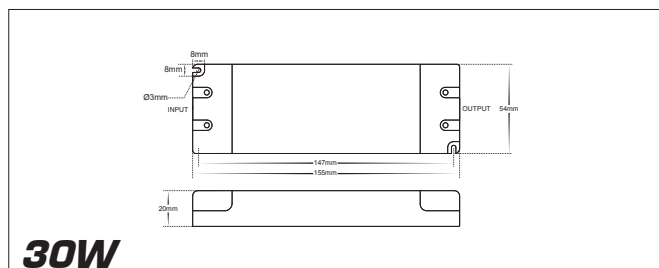
## PRODUCT DATA

24V DC TRIAC DIMMABLE LED DRIVER	
MATERIAL	PLASTIC OR ALUMINIUM
COLOUR/FINISH	WHITE OR GREY
WORKING TEMPERATURE	-20°C TO +55°C
OVERLOAD PROTECTION	YES
SHORT CIRCUIT PROTECTION	YES
OVER VOLTAGE PROTECTION	YES
DIMMING	TRIAC (LEADING OR TRAILING EDGE DIMMER)
INPUT VOLTAGE	240V AC (SUPPLIED WITH FLEX & PLUG)
OUTPUT VOLTAGE	24V DC CONSTANT VOLTAGE
DRIVER POWER	30W   60W   100W   150W   200W   300W
RECOMMENDED MAX. LOAD	24W   48W   80W   120W   160W   240W
IP RATING	30W   60W = IP20 100W   150W   200W   300W = IP66

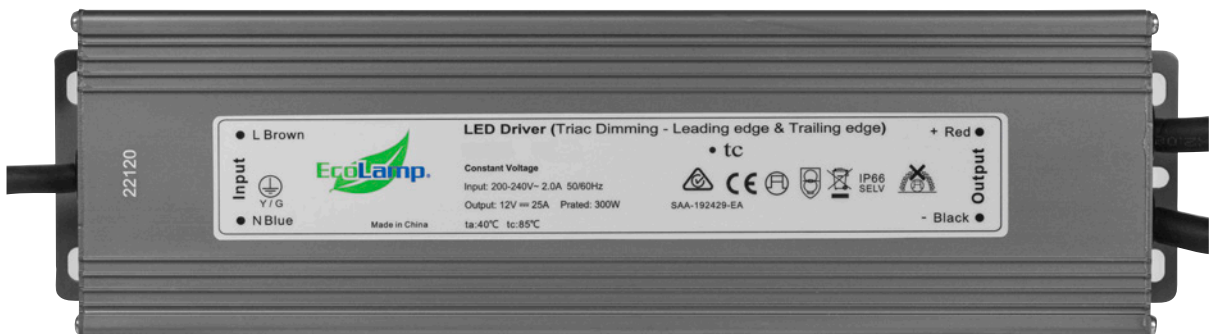
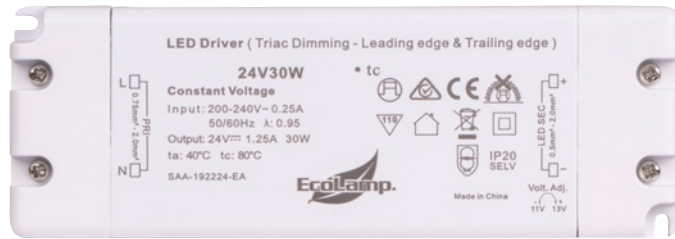
## PRODUCT ORDERING

TRIAC DIMMABLE DRIVERS		
	30W	<b>HCP-51221</b>
	60W	<b>HCP-51231</b>
	100W	<b>HCP-52241</b>
	150W	<b>HCP-52251</b>
	200W	<b>HCP-52261</b>
	300W	<b>HCP-52271</b>

## OTHER DATA



# 24V DC TRIAC DIMMABLE LED DRIVER







# 24V DC 0-1/10V + TRIAC DIMMABLE LED DRIVERS

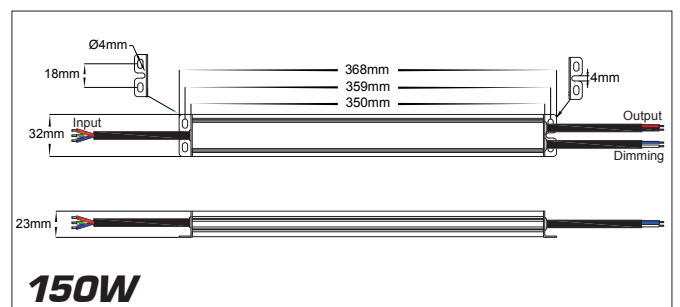
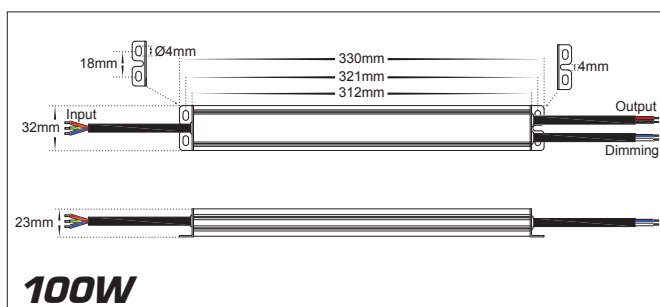
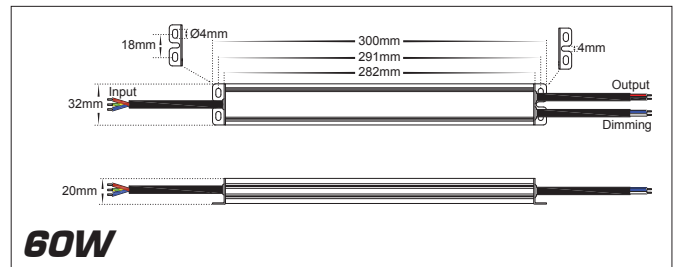
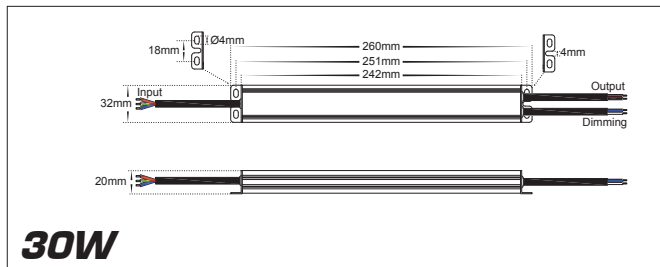
## PRODUCT DATA

0-1/10V+ TRIAC DIMMABLE LED DRIVERS	
MATERIAL	ALUMINIUM
COLOUR/FINISH	GREY
WORKING TEMPERATURE	-20°C TO +55°C
OVERLOAD PROTECTION	YES
SHORT CIRCUIT PROTECTION	YES
OVER VOLTAGE PROTECTION	YES
DIMMING	0/1-10V DIMMING + TRIAC
INPUT VOLTAGE	240V AC (SUPPLIED WITH FLEX & PLUG)
OUTPUT VOLTAGE	24V DC CONSTANT VOLTAGE
DRIVER POWER	30W   60W   100W   150W
RECOMMENDED MAX. LOAD	24W   48W   80W   120W
IP RATING	IP66

## PRODUCT ORDERING

WEATHERPROOF DRIVERS		
	30W	<b>HCP-52222</b>
	60W	<b>HCP-52232</b>
	100W	<b>HCP-52242</b>
	150W	<b>HCP-52252</b>

## OTHER DATA






# 24V DC DALI DIMMABLE LED DRIVERS

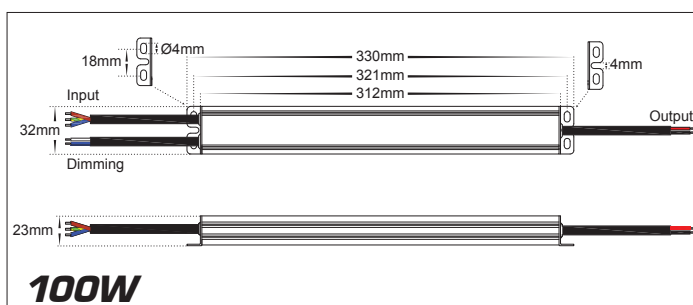
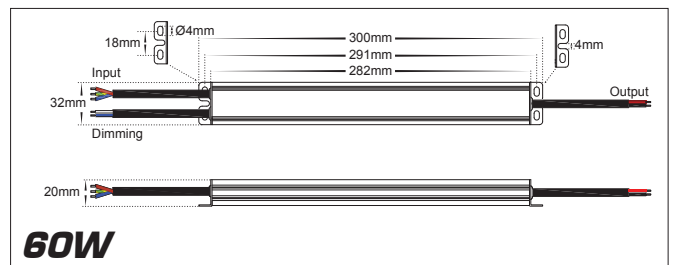
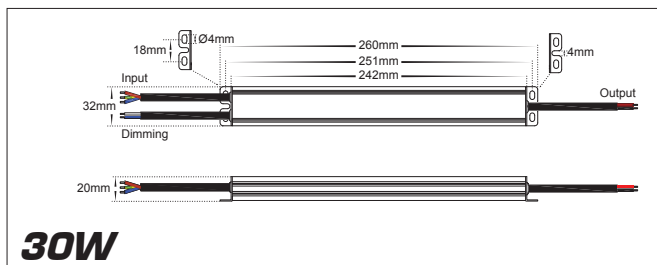
## PRODUCT DATA

24V DC DALI DIMMABLE LED DRIVERS	
MATERIAL	ALUMINIUM
COLOUR/FINISH	GREY
WORKING TEMPERATURE	-40°C TO +60°C
OVERLOAD PROTECTION	YES
SHORT CIRCUIT PROTECTION	YES
OVER VOLTAGE PROTECTION	YES
DIMMING	DALI DIMMABLE
INPUT VOLTAGE	240V AC (SUPPLIED WITH FLEX & PLUG)
OUTPUT VOLTAGE	24V DC CONSTANT VOLTAGE
DRIVER POWER	30W   60W   100W
RECOMMENDED MAX. LOAD	24W   48W   80W
IP RATING	IP66

## PRODUCT ORDERING

WEATHERPROOF DRIVERS		
	30W	<b>HCP-52223</b>
	60W	<b>HCP-52233</b>
	100W	<b>HCP-52243</b>

## OTHER DATA








# 24V DC DALI 2 + PUSH DIM DIMMABLE DRIVERS

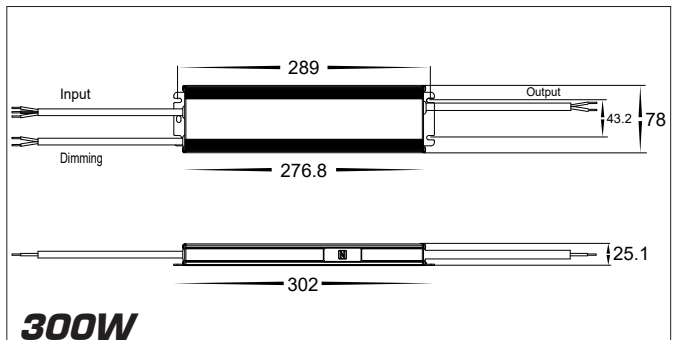
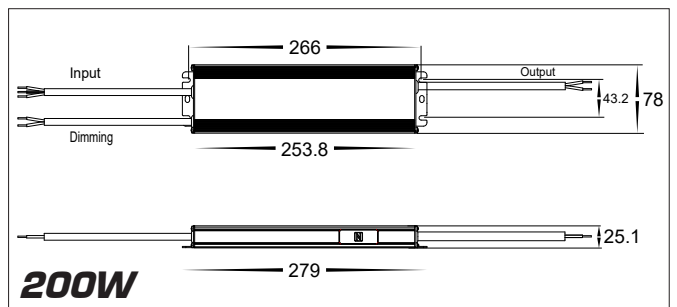
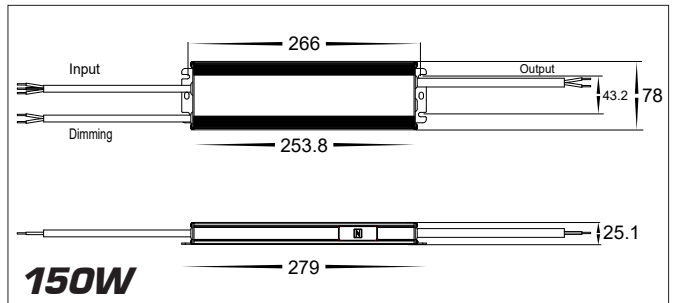
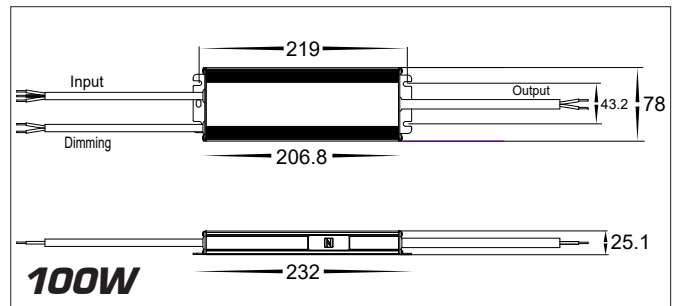
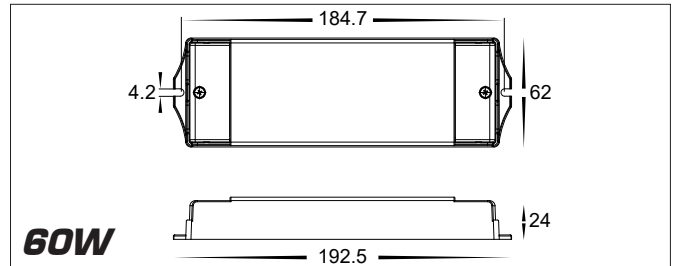
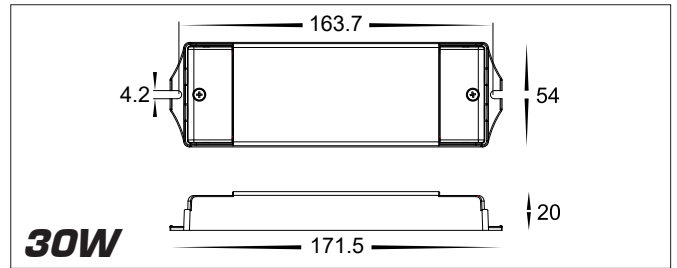
## PRODUCT DATA

24V DC DALI 2 + PUSH DIM DIMMABLE DRIVERS	
MATERIAL	PLASTIC OR ALUMINIUM
COLOUR/FINISH	WHITE OR GREY
WORKING TEMPERATURE	-20°C TO +55°C
OVERLOAD PROTECTION	YES
SHORT CIRCUIT PROTECTION	YES
OVER VOLTAGE PROTECTION	YES
DIMMING	DALI 2 + PUSH DIM
INPUT VOLTAGE	240V AV
OUTPUT VOLTAGE	24V DC CONSTANT VOLTAGE
DRIVER POWER	30W   60W   100W   150W   200W   300W
RECOMMENDED MAX. LOAD	24W   48W   80W   120W   160W   240W
IP RATING	30W   60W = IP20   100W   150W   200W   300W = IP66

## PRODUCT ORDERING

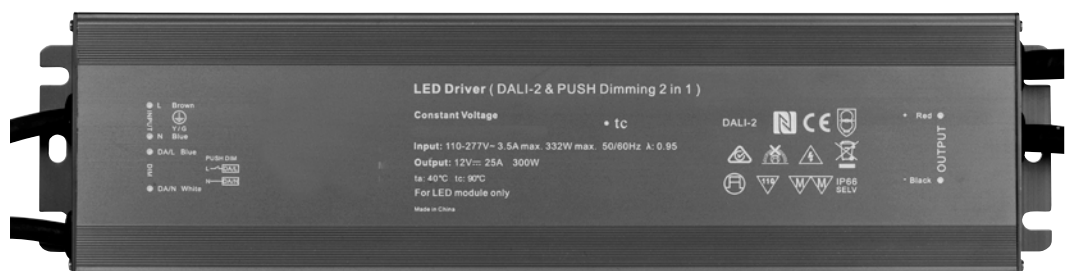
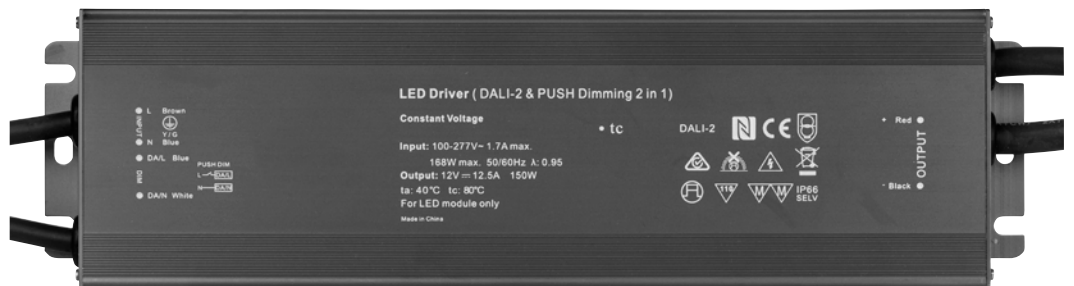
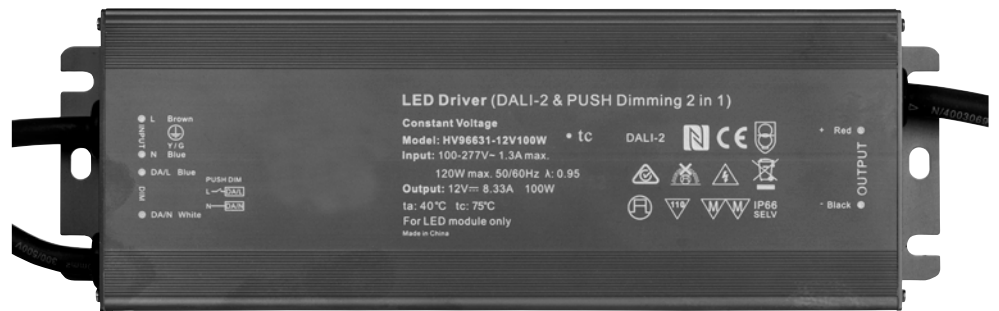
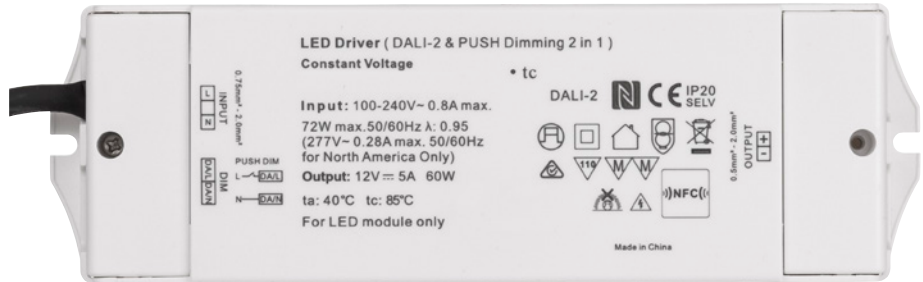
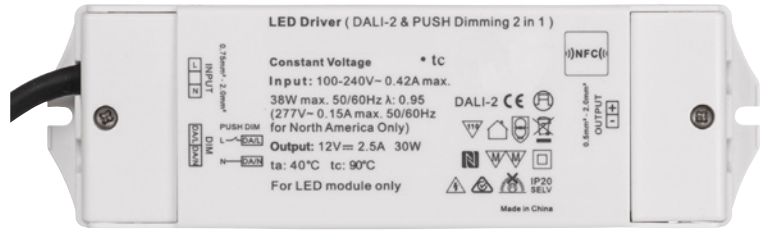
DALI + PUSH DIM DRIVER		
	30W	<b>HCP-522231</b>
	60W	<b>HCP-522331</b>
	100W	<b>HCP-522431</b>
	150W	<b>HCP-522531</b>
	200W	<b>HCP-522631</b>
	300W	<b>HCP-522731</b>

## OTHER DATA





# 24V DC DALI 2 + PUSH DIM DIMMABLE DRIVERS



15  
LED DRIVERS


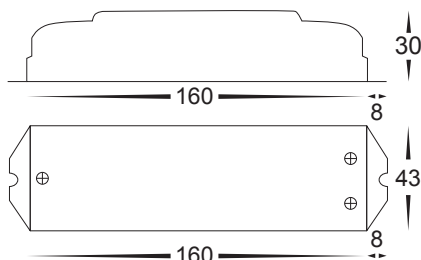
# SINGLE CHANNEL 0/1-10V LED STRIP CONTROLLER



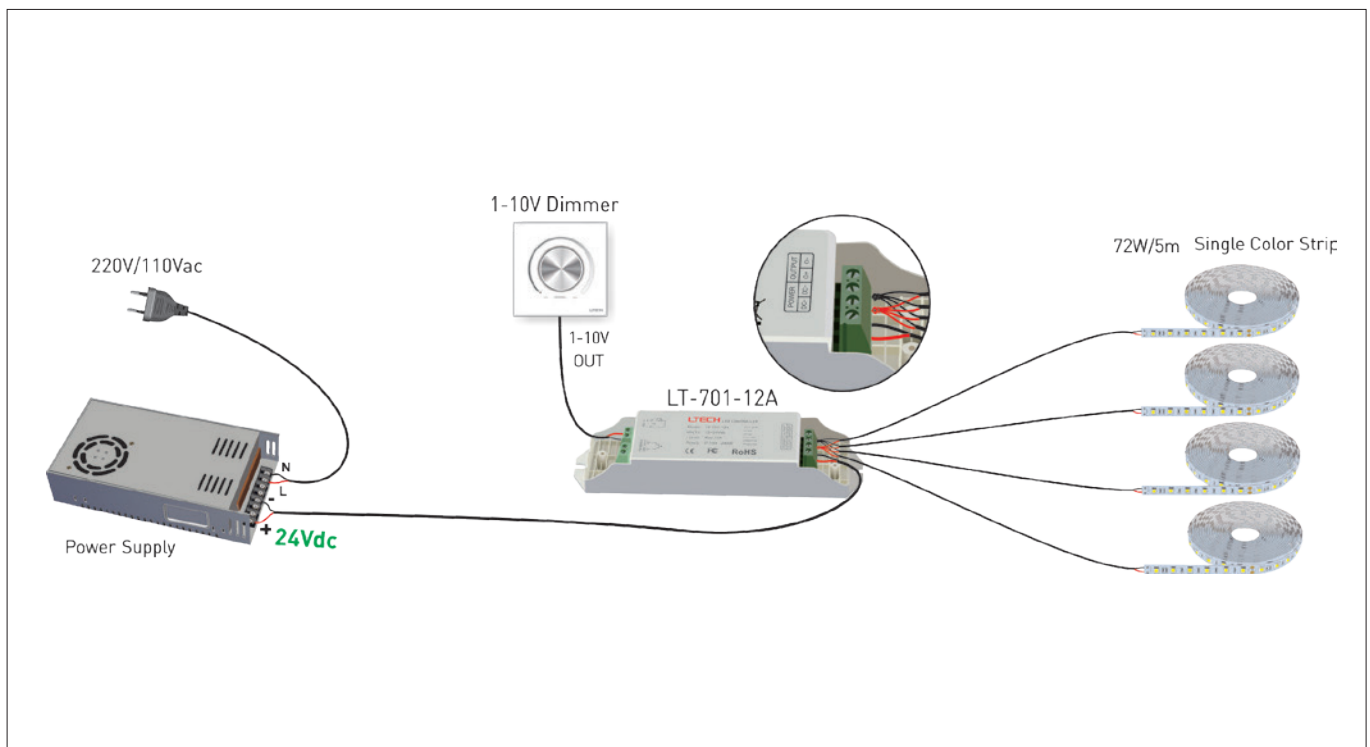
## PRODUCT DATA

SINGLE CHANNEL 0/1-10V	
MATERIAL	PLASTIC
COLOUR/FINISH	WHITE
LED STRIP TYPE	SINGLE COLOUR
NO. OF CHANNELS	1
INPUT VOLTAGE	24V DC
OUTPUT POWER	288W
DIMMING	0-10V, 1-10V, 10V PWM
DIMMING RANGE	0-100%
PROTECTION	OVERLOAD & SHORT CIRCUIT
WORKING TEMP	-20°C TO +55°C
WEIGHT	130G
IP RATING	IP20

## PRODUCT ORDERING

LED STRIP CONTROLLER		
	<b>HCP-71211</b>	288W
DIMENSIONS		
		

## SAMPLE WIRING DIAGRAM


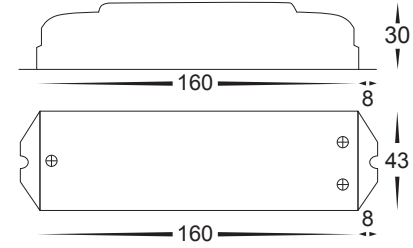




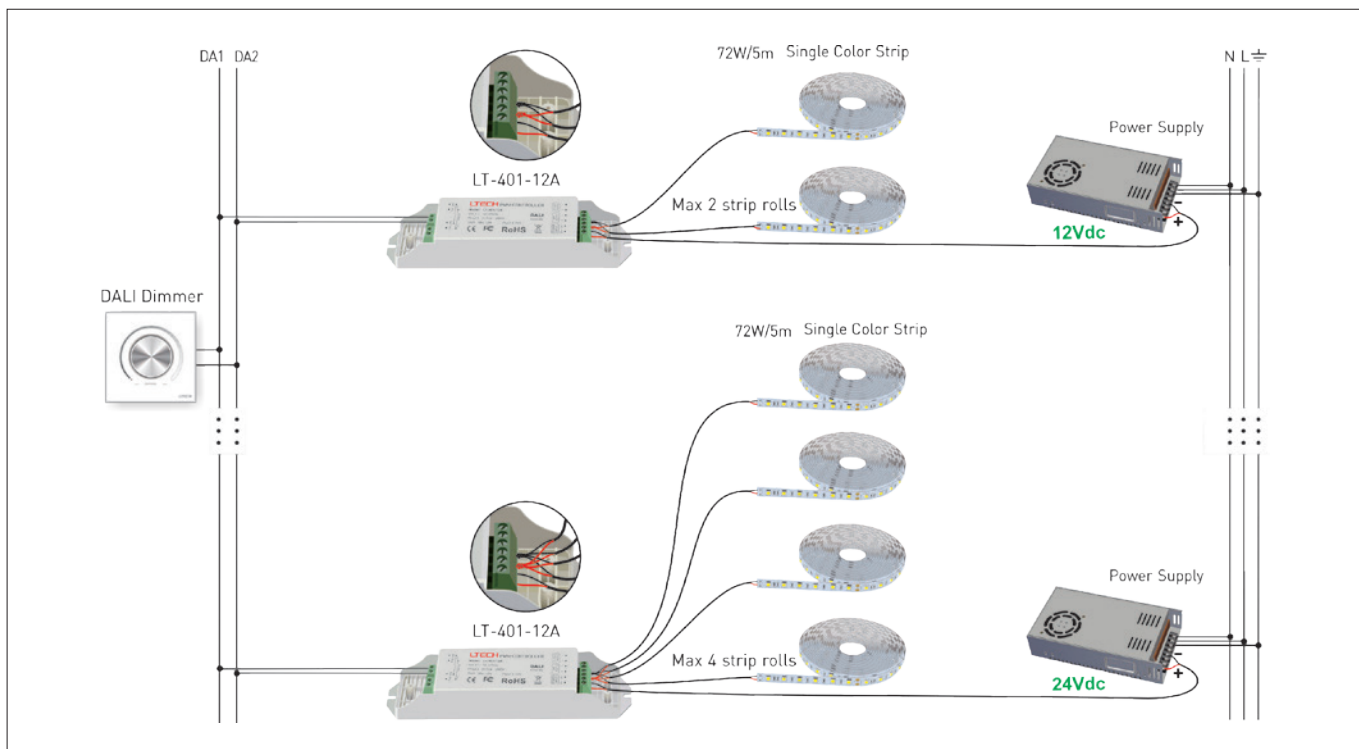
## PRODUCT DATA

SINGLE CHANNEL DALI	
MATERIAL	PLASTIC
COLOUR/FINISH	WHITE
LED STRIP TYPE	SINGLE COLOUR
NO. OF CHANNELS	1
INPUT VOLTAGE	24V DC
OUTPUT POWER	288W
DIMMING	DALI DIMMABLE
DIMMING RANGE	0-100%
PROTECTION	OVERLOAD & SHORT CIRCUIT
WORKING TEMP	-20°C TO +55°C
WEIGHT	135G
IP RATING	IP20

## PRODUCT ORDERING

LED STRIP CONTROLLER		
	<b>HCP-72211</b>	288W
DIMENSIONS		
		

## SAMPLE WIRING DIAGRAM




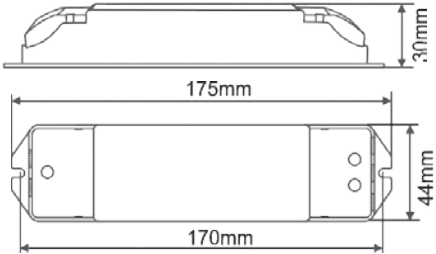
# SINGLE CHANNEL DMX LED STRIP DECODER



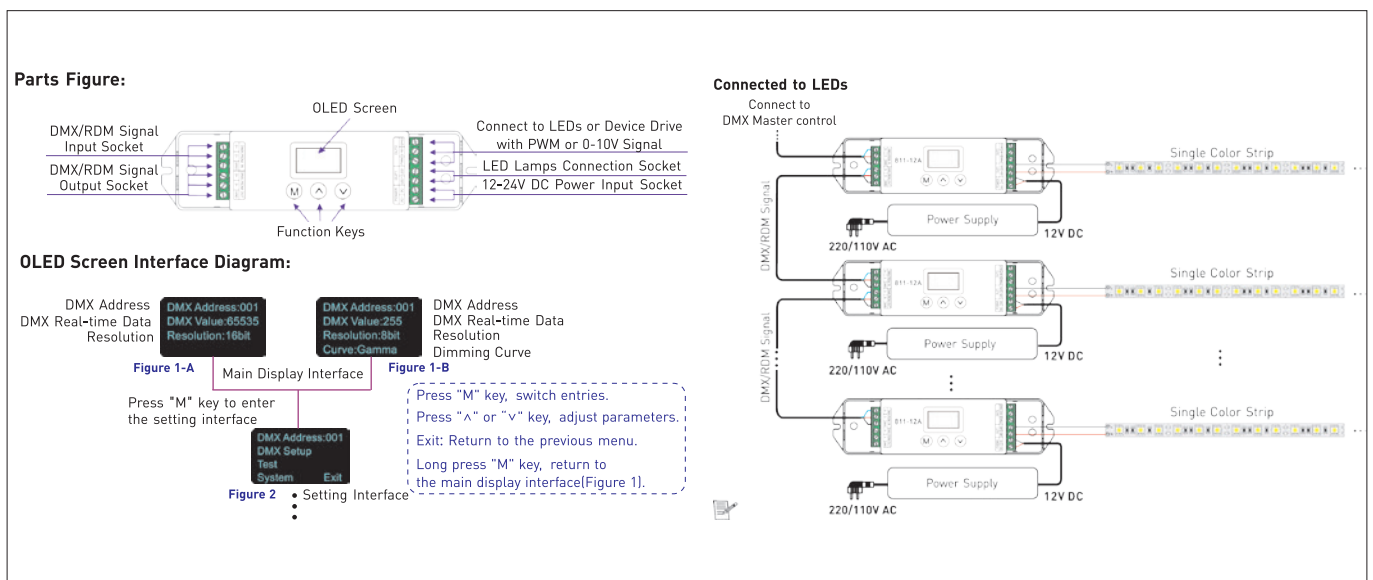
## PRODUCT DATA

SINGLE CHANNEL DMX	
MATERIAL	PLASTIC
COLOUR/FINISH	WHITE
LED STRIP TYPE	SINGLE COLOUR
NO. OF CHANNELS	1
INPUT VOLTAGE	24V DC
OUTPUT POWER	288W
DIMMING	DMX 512 DIMMABLE
DIMMING RANGE	0-100%
PROTECTION	OVERLOAD & SHORT CIRCUIT
WORKING TEMP	-20°C TO +55°C
WEIGHT	160G
IP RATING	IP20

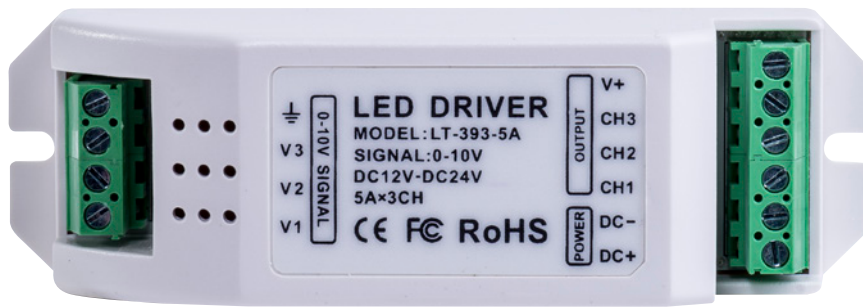
## PRODUCT ORDERING

LED STRIP CONTROLLER		
	<b>HCP-73211</b>	288W
DIMENSIONS		
		

## SAMPLE WIRING DIAGRAM



# THREE CHANNEL 0/1-10V LED STRIP CONTROLLER



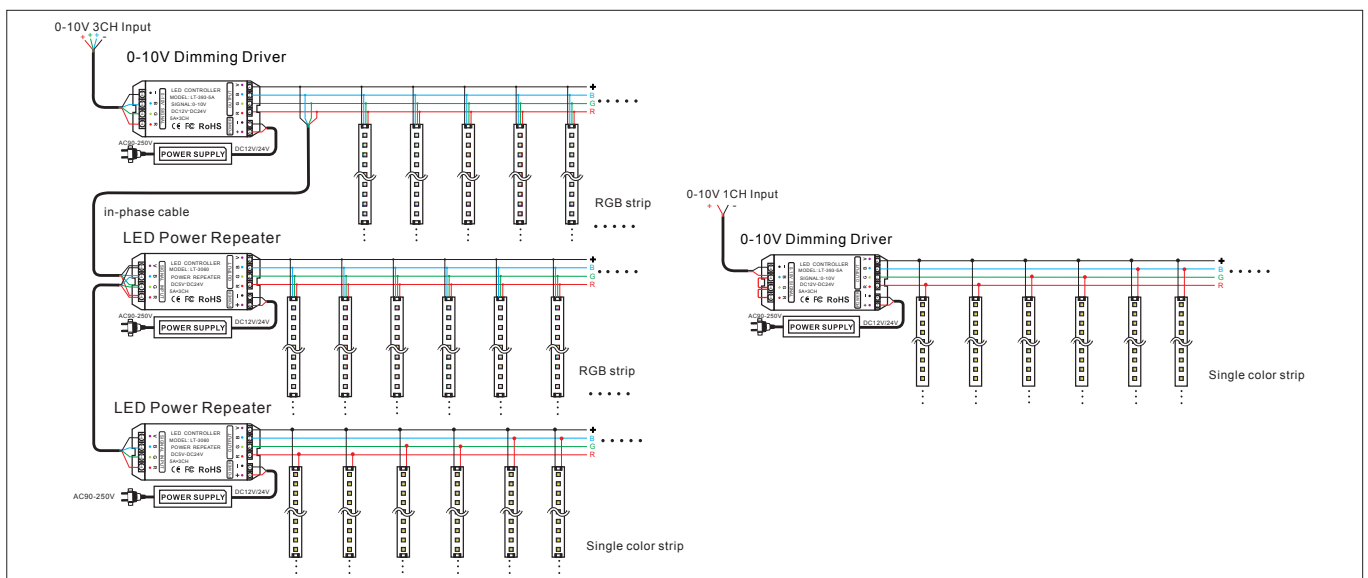
## PRODUCT DATA

RGB THREE CHANNEL 0/1-10V	
MATERIAL	PLASTIC
COLOUR/FINISH	WHITE
LED STRIP TYPE	RGB
NO. OF CHANNELS	3
INPUT VOLTAGE	24V DC
OUTPUT POWER	360W (3X 120W)
DIMMING	0-10V, 1-10V, 10V PWM
DIMMING RANGE	0-100%
PROTECTION	OVERLOAD & SHORT CIRCUIT
WORKING TEMP	-20°C TO +55°C
WEIGHT	135G
IP RATING	IP20

## PRODUCT ORDERING

LED STRIP CONTROLLER		
	<b>HCP-71221</b>	360W
DIMENSIONS		

## SAMPLE WIRING DIAGRAM



# THREE CHANNEL DMX LED STRIP DECODER



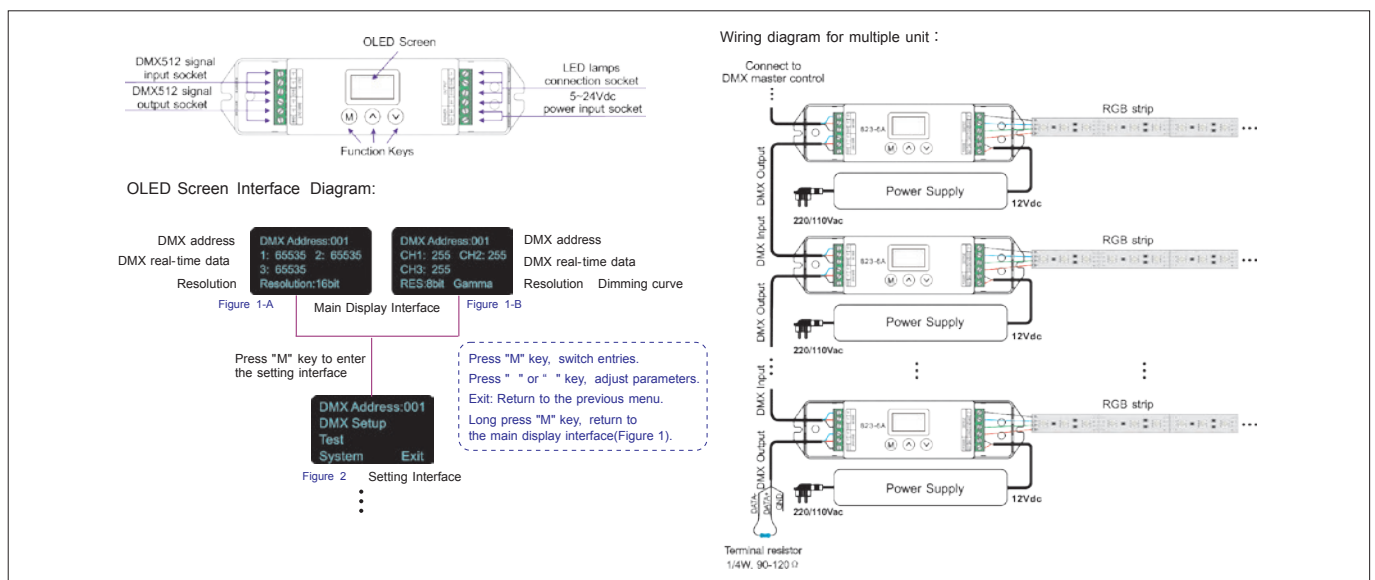
## PRODUCT DATA

RGB THREE CHANNEL DMX	
MATERIAL	PLASTIC
COLOUR/FINISH	WHITE
LED STRIP TYPE	RGB
NO. OF CHANNELS	3
INPUT VOLTAGE	24V DC
OUTPUT POWER	432W (3X 144W)
DIMMING	DMX 512 DIMMABLE
DIMMING RANGE	0-100%
PROTECTION	OVERLOAD & SHORT CIRCUIT
WORKING TEMP	-20°C TO +55°C
WEIGHT	160G
IP RATING	IP20

## PRODUCT ORDERING

LED STRIP CONTROLLER		
	<b>HCP-73221</b>	432W
DIMENSIONS		

## SAMPLE WIRING DIAGRAM





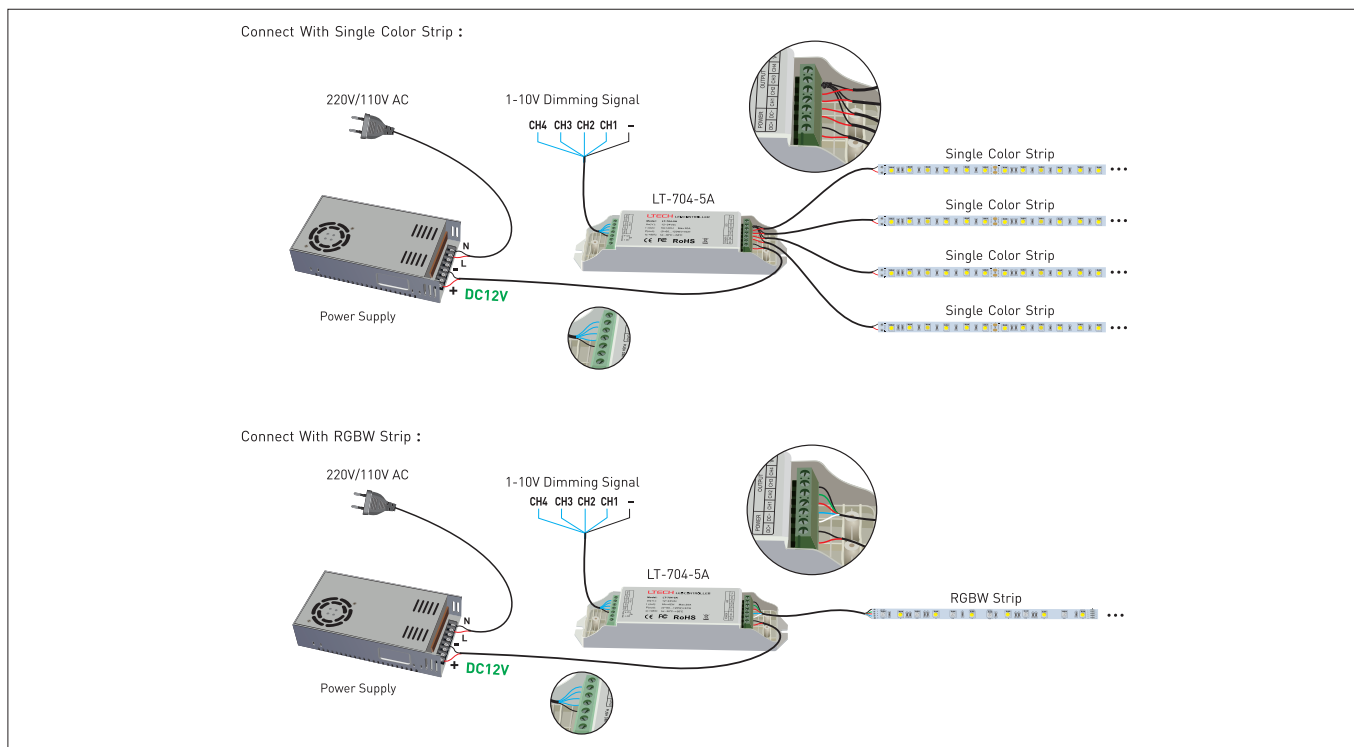
## PRODUCT DATA

RGBC/RGBW FOUR CHANNEL 0/1-10V	
MATERIAL	PLASTIC
COLOUR/FINISH	WHITE
LED STRIP TYPE	RGBW
NO. OF CHANNELS	4
INPUT VOLTAGE	24V DC
OUTPUT POWER	480W (4X 120W)
DIMMING	0-10V, 1-10V, 10V PWM
DIMMING RANGE	0-100%
PROTECTION	OVERLOAD & SHORT CIRCUIT
WORKING TEMP	-20°C TO +55°C
WEIGHT	135G
IP RATING	IP20

## PRODUCT ORDERING

LED STRIP CONTROLLER		
	<b>HCP-71231</b>	480W
DIMENSIONS		

## SAMPLE WIRING DIAGRAM




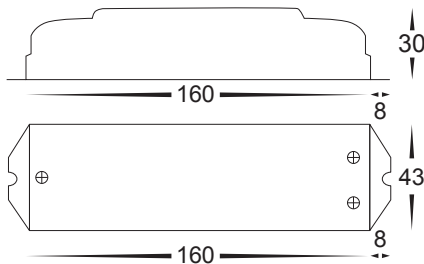
# FOUR CHANNEL DALI LED STRIP CONTROLLER



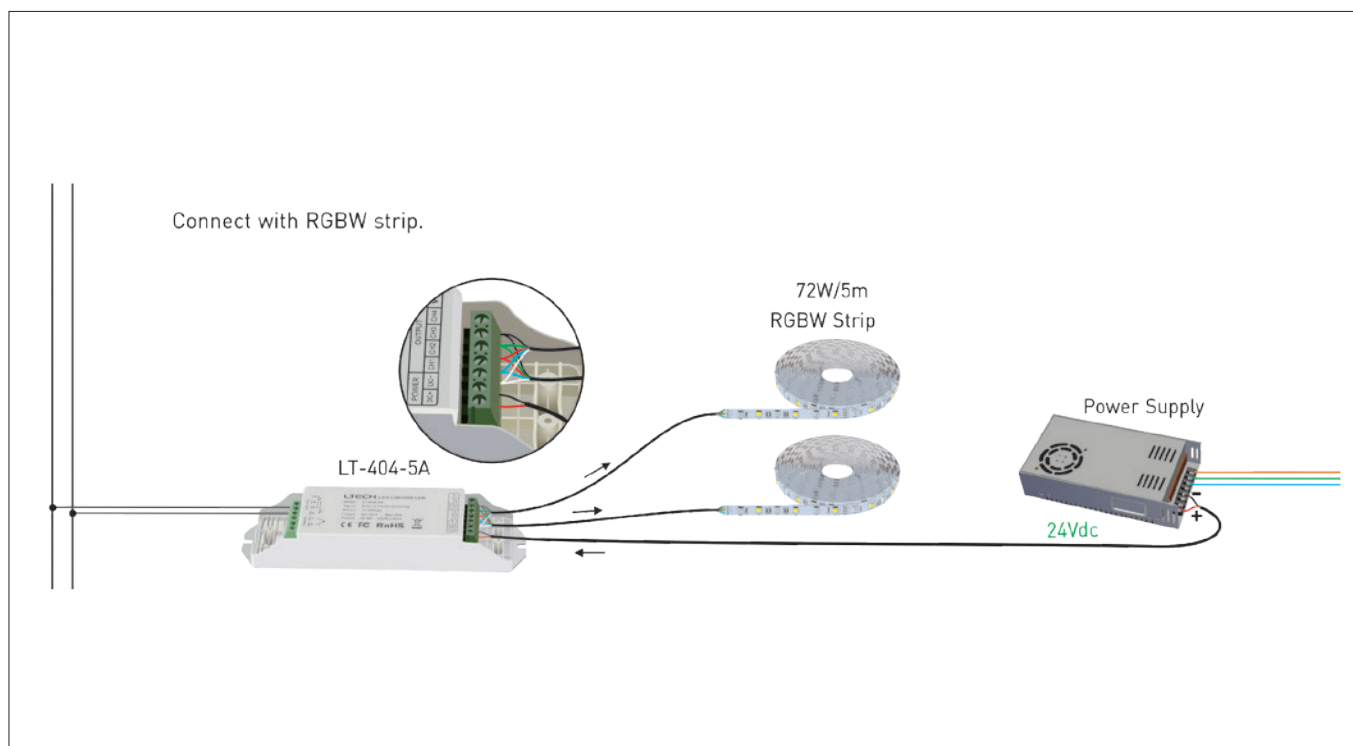
## PRODUCT DATA

RGBC/RGBW FOUR CHANNEL DALI	
MATERIAL	PLASTIC
COLOUR/FINISH	WHITE
LED STRIP TYPE	RGBW
NO. OF CHANNELS	4
INPUT VOLTAGE	24V DC
OUTPUT POWER	480W (4X 120W)
DIMMING	DALI DIMMABLE
DIMMING RANGE	0-100%
PROTECTION	OVERLOAD & SHORT CIRCUIT
WORKING TEMP	-20°C TO +55°C
WEIGHT	135G
IP RATING	IP20

## PRODUCT ORDERING

LED STRIP CONTROLLER		
	<b>HCP-72231</b>	480W
DIMENSIONS		
		

## SAMPLE WIRING DIAGRAM




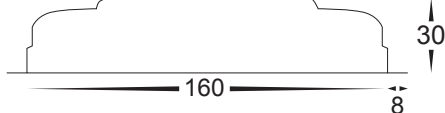





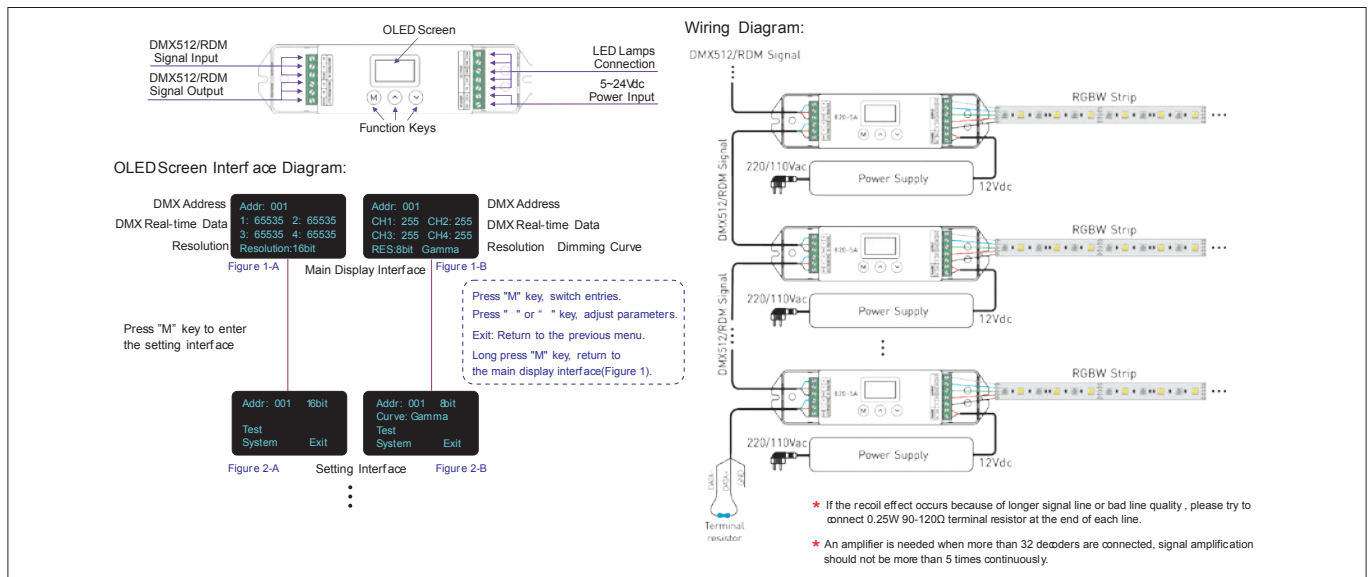
## PRODUCT DATA

RGBC/RGBW FOUR CHANNEL DMX	
MATERIAL	PLASTIC
COLOUR/FINISH	WHITE
LED STRIP TYPE	RGBW
NO. OF CHANNELS	4
INPUT VOLTAGE	24V DC
OUTPUT POWER	480W (4X 120W)
DIMMING	DMX 512 DIMMABLE
DIMMING RANGE	0-100%
PROTECTION	OVERLOAD & SHORT CIRCUIT
WORKING TEMP	-20°C TO +55°C
WEIGHT	175G
IP RATING	IP20

## PRODUCT ORDERING

LED STRIP CONTROLLER		
	<b>HCP-73231</b>	480W
DIMENSIONS		
		
		

## SAMPLE WIRING DIAGRAM




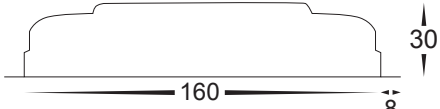

# SINGLE CHANNEL LED STRIP REPEATER



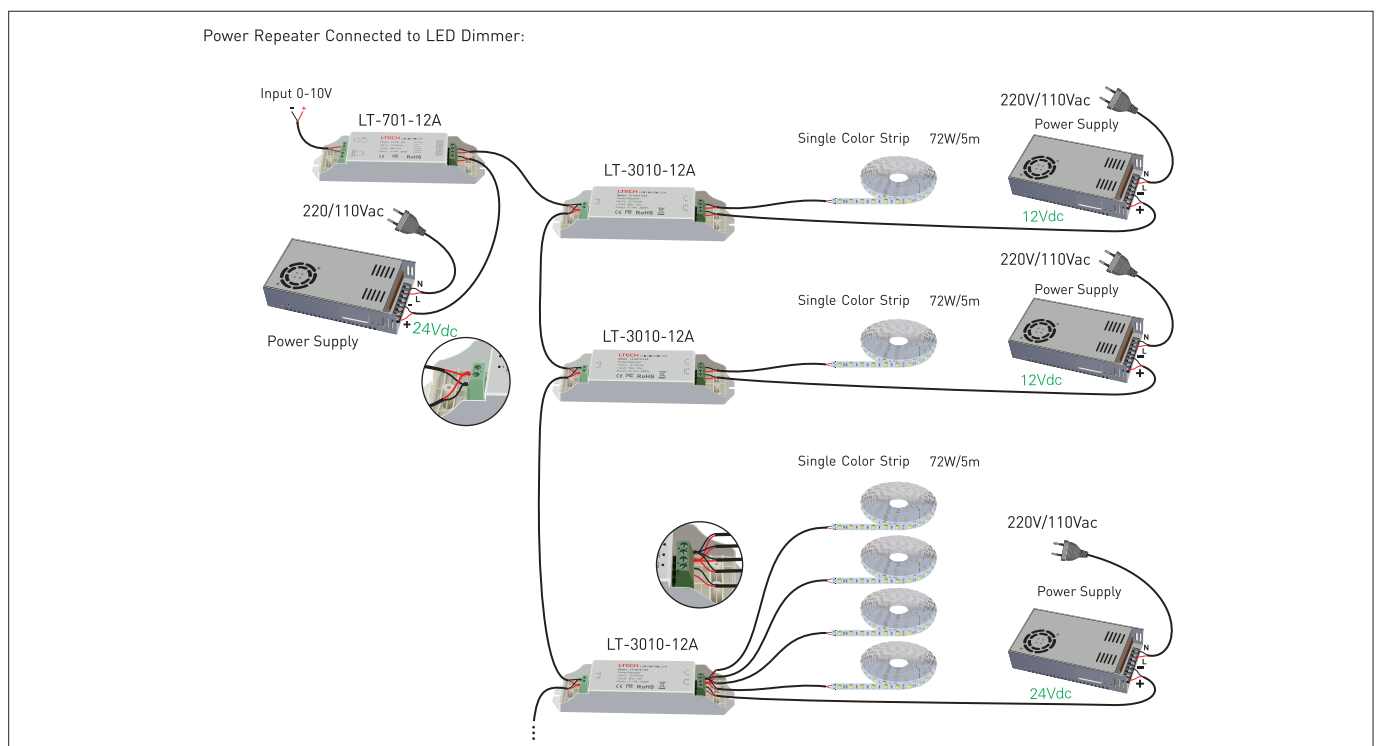
## PRODUCT DATA

SINGLE CHANNEL REPEATER	
MATERIAL	PLASTIC
COLOUR/FINISH	WHITE
LED STRIP TYPE	SINGLE COLOUR
NO. OF CHANNELS	1
INPUT VOLTAGE	24V DC
OUTPUT POWER	288W
DIMMING	YES
DIMMING RANGE	0-100%
PROTECTION	OVERLOAD & SHORT CIRCUIT
WORKING TEMP	-20°C TO +55°C
WEIGHT	135G
IP RATING	IP20

## PRODUCT ORDERING

LED STRIP CONTROLLER		
	<b>HCP-74211</b>	288W
DIMENSIONS		
		
		

## SAMPLE WIRING DIAGRAM


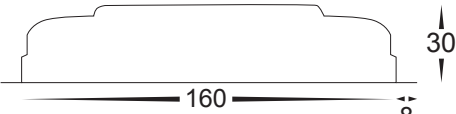
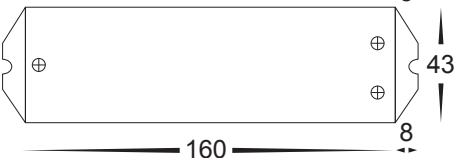




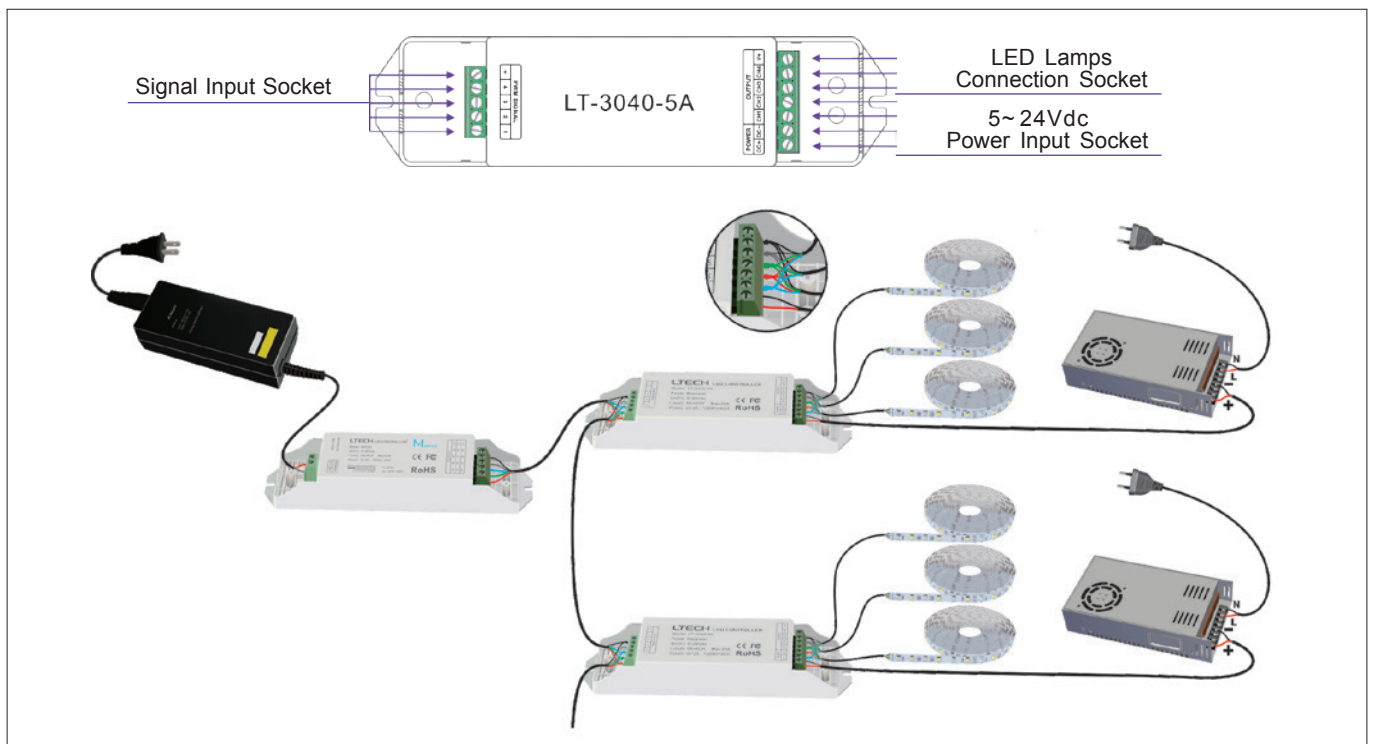
## PRODUCT DATA

FOUR CHANNEL REPEATER	
MATERIAL	PLASTIC
COLOUR/FINISH	WHITE
LED STRIP TYPE	SINGLE COLOUR, RGB + RGBW
NO. OF CHANNELS	4
INPUT VOLTAGE	24V DC
OUTPUT POWER	480W (4X 120W)
DIMMING	YES
DIMMING RANGE	0-100%
PROTECTION	OVERLOAD & SHORT CIRCUIT
WORKING TEMP	-20°C TO +55°C
WEIGHT	175G
IP RATING	IP20

## PRODUCT ORDERING

LED STRIP CONTROLLER		
	<b>HCP-74241</b>	480W
DIMENSIONS		
		
		

## SAMPLE WIRING DIAGRAM







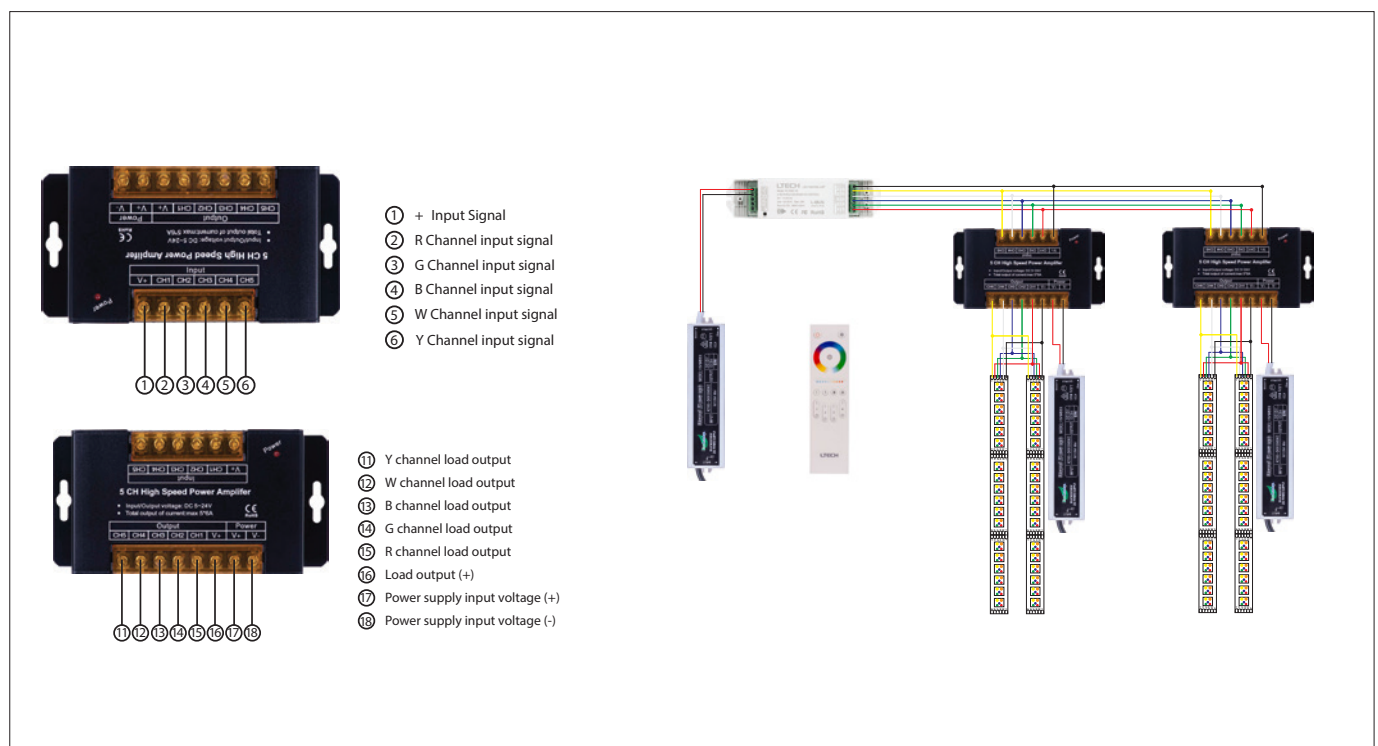
## PRODUCT DATA

5 CHANNEL REPEATER	
MATERIAL	ALUMINIUM
COLOUR/FINISH	BLACK
LED STRIP TYPE	ALL LED STRIP
NO. OF CHANNELS	5
INPUT VOLTAGE	24V DC
OUTPUT POWER	768W
DIMMING	YES
DIMMING RANGE	0-100%
PROTECTION	OVERLOAD & SHORT CIRCUIT
WORKING TEMP.	-20°C TO +55°C
IP RATING	IP20
IP RATING	IP20

## PRODUCT ORDERING

LED STRIP CONTROLLER		
	<b>HCP-74251</b>	768W
DIMENSIONS		

## OTHER DATA




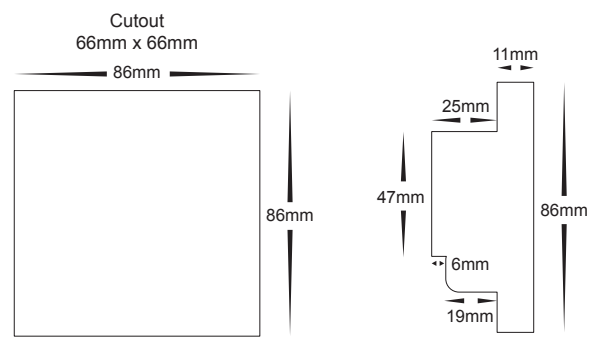
# SINGLE COLOUR LED STRIP TOUCH PANEL CONTROLLER



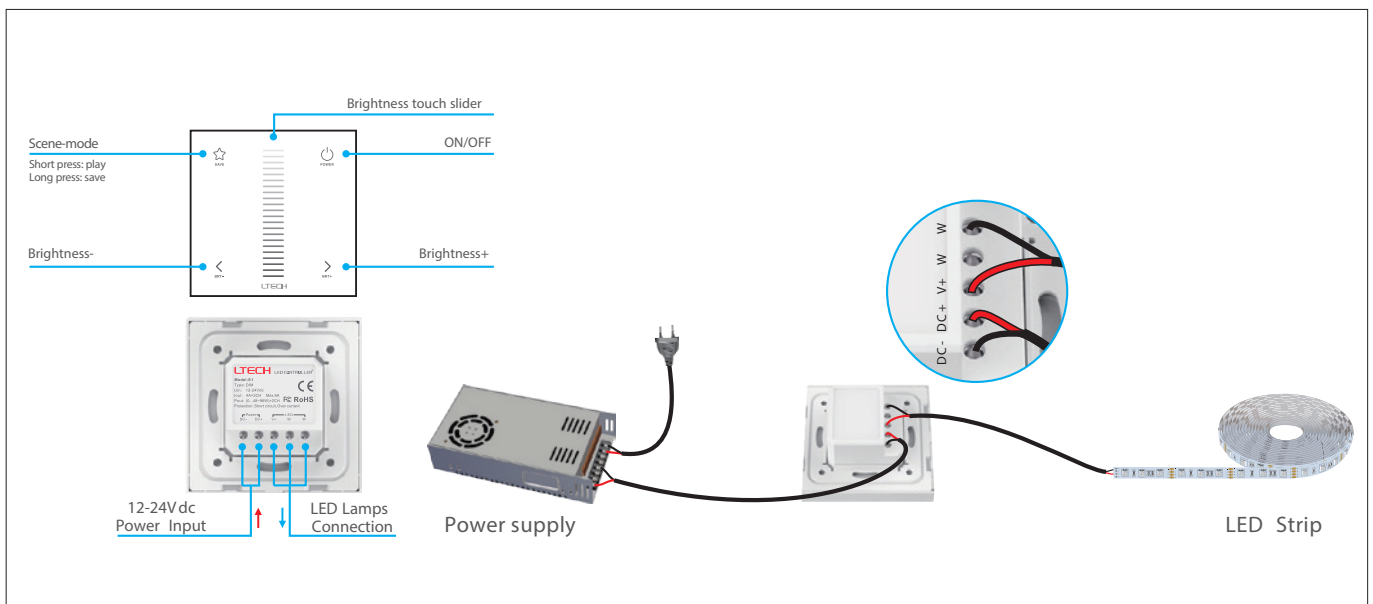
## PRODUCT DATA

SINGLE COLOUR TOUCH PANEL	
MATERIAL	PLASTIC + GLASS
COLOUR/FINISH	WHITE
LED STRIP TYPE	SINGLE COLOUR
NO. OF CHANNELS	2
INPUT VOLTAGE	24V DC
OUTPUT POWER	192W (2X 96W)
DIMMING	YES
DIMMING RANGE	5% - 100%
PROTECTION	OVERLOAD & SHORT CIRCUIT
WORKING TEMP	-20°C TO +55°C
WEIGHT	165G
IP RATING	IP20

## PRODUCT ORDERING

LED STRIP CONTROLLER		
	<b>HCP-75214</b>	288W
DIMENSIONS		
		

## SAMPLE WIRING DIAGRAM



# SINGLE COLOUR LED STRIP TOUCH PANEL CONTROLLER

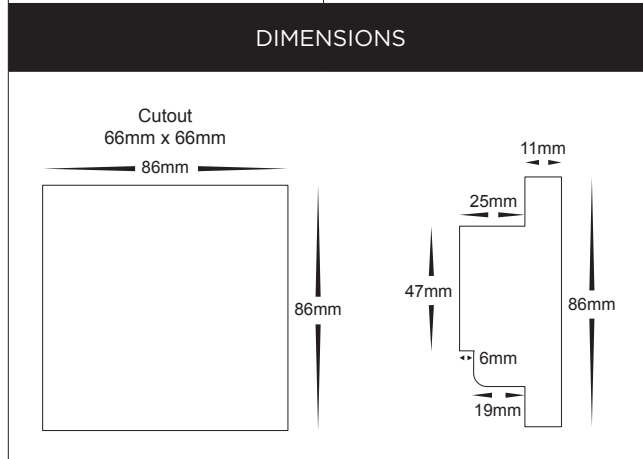


## PRODUCT ORDERING

LED STRIP CONTROLLER	
	<b>HCP-75212</b>
COMPATIBLE RECEIVER	COMPATIBLE DMX DECODER
	
<b>HCP-76242</b>	<b>HCP-73211</b>





## PRODUCT DATA

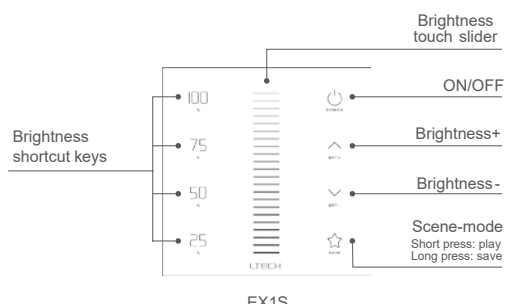
SINGLE COLOUR TOUCH PANEL	
MATERIAL	PLASTIC + GLASS
COLOUR/FINISH	WHITE
LED STRIP TYPE	SINGLE COLOUR
NO. OF CHANNELS	N/A
INPUT VOLTAGE	240V AC
OUTPUT SIGNAL	2.4GHZ + DMX512
DIMMING	YES
DIMMING RANGE	5% - 100%
PROTECTION	OVERLOAD & SHORT CIRCUIT
WORKING TEMP	-20°C TO +55°C
WEIGHT	165G
IP RATING	IP20



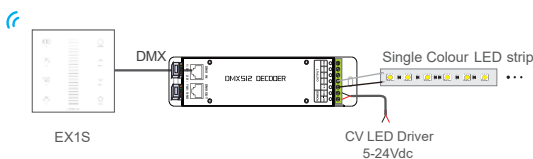
## SAMPLE WIRING DIAGRAM

### Key functions

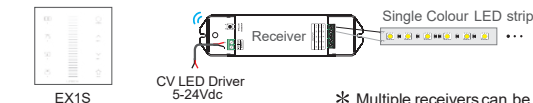
- \* When blue indicator light of  key is on, long press  to turn on/off buzzer. When white indicator light of  key is on, long press  to match code.
- \* EX panels scene-mode keys are corresponding with gateway APP's scenes, the scenes can be changed by APP or panel.



### DMX Wiring



### RF Wireless Wiring



\* Multiple receivers can be matched up with EX1S within effective distance.




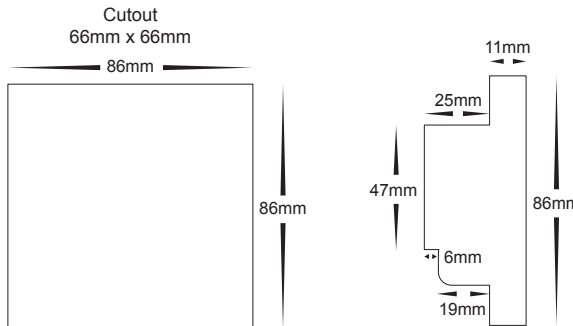
# SINGLE COLOUR 4 ZONE LED STRIP TOUCH PANEL CONTROLLER



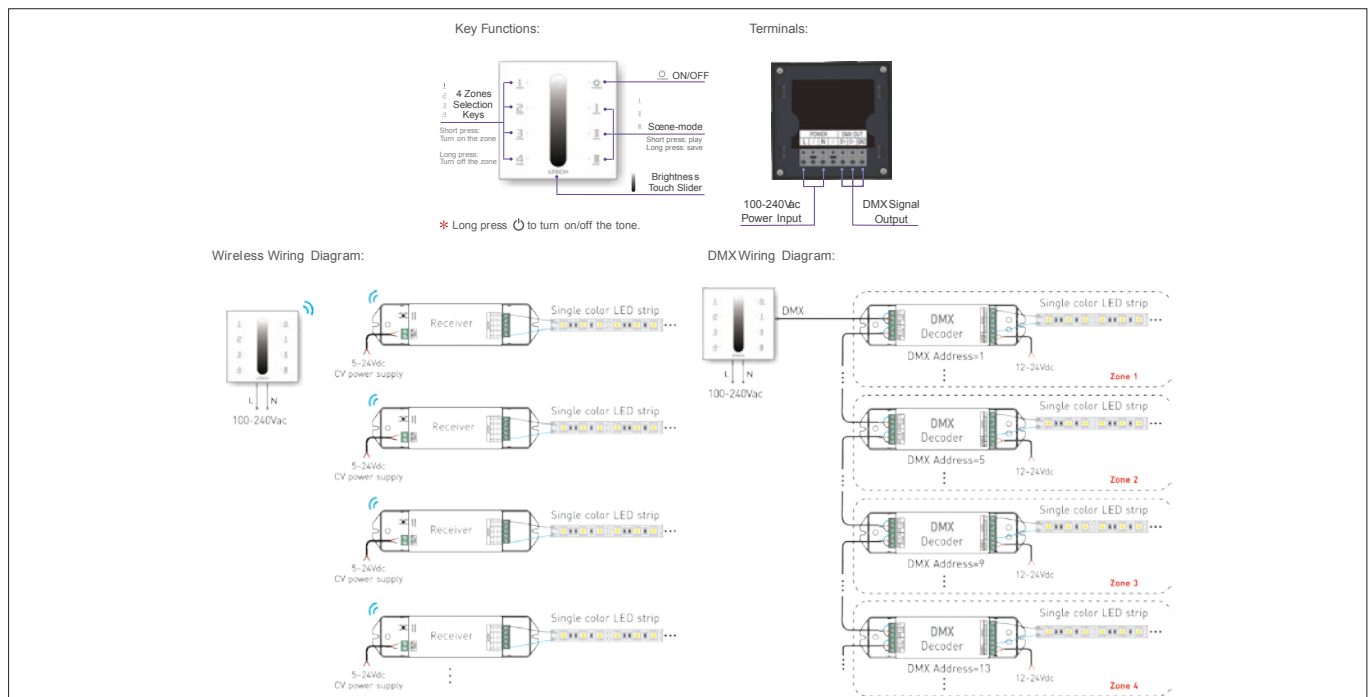
## PRODUCT DATA

SINGLE COLOUR 4 ZONE TOUCH PANEL	
MATERIAL	PLASTIC + GLASS
COLOUR/FINISH	WHITE
LED STRIP TYPE	SINGLE COLOUR
NO. OF ZONES	4
INPUT VOLTAGE	240V AC
OUTPUT SIGNAL	2.4GHZ + DMX512
DIMMING	YES
DIMMING RANGE	5% - 100%
PROTECTION	OVERLOAD & SHORT CIRCUIT
WORKING TEMP	-20°C TO +55°C
WEIGHT	165G
IP RATING	IP20

## PRODUCT ORDERING

LED STRIP CONTROLLER	
	<b>HCP-75213</b>
COMPATIBLE RECEIVER	COMPATIBLE DMX DECODER
<b>HCP-76241</b> 	<b>HCP-73211</b> 
DIMENSIONS	
	

## SAMPLE WIRING DIAGRAM







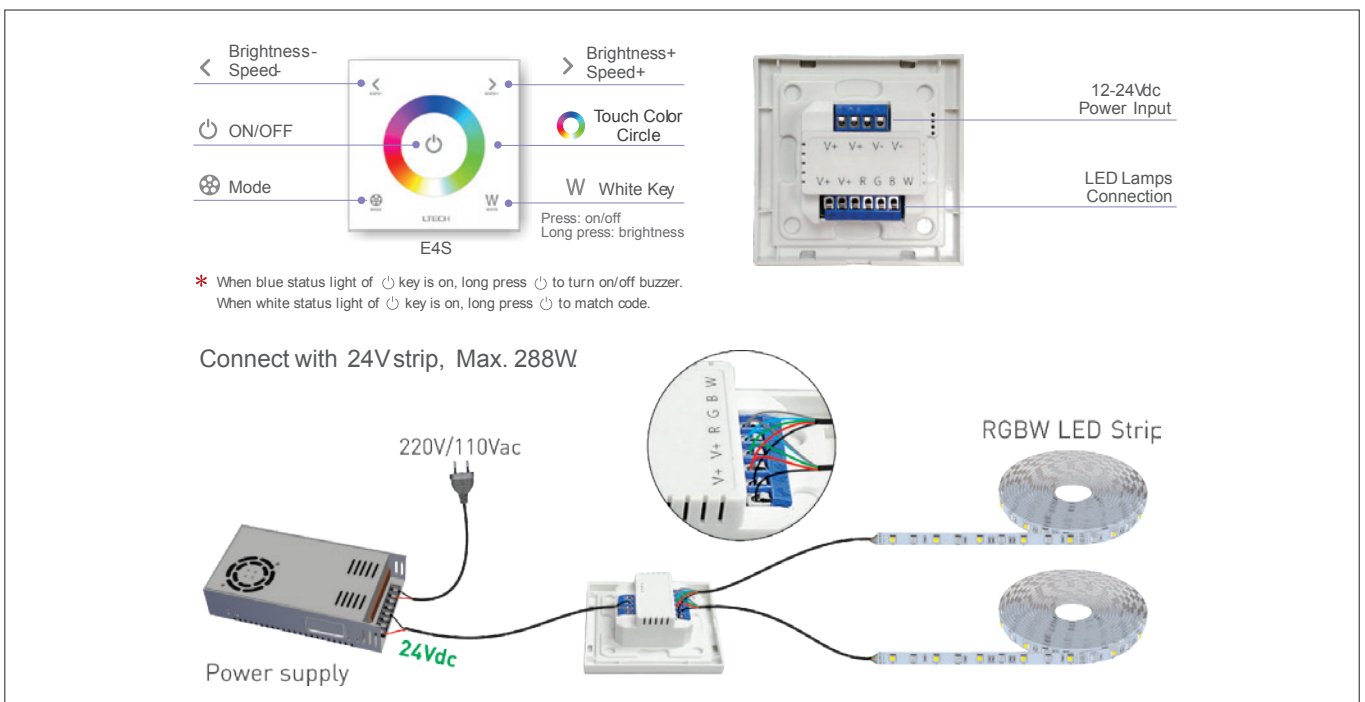
## PRODUCT DATA

RGBW TOUCH PANEL	
MATERIAL	PLASTIC + GLASS
COLOUR/FINISH	WHITE
LED STRIP TYPE	RGBW
NO. OF CHANNELS	4
INPUT VOLTAGE	24V DC
OUTPUT POWER	288W (4X 72W)
DIMMING	YES
DIMMING RANGE	5% - 100%
PROTECTION	OVERLOAD & SHORT CIRCUIT
WORKING TEMP	-20°C TO +55°C
WEIGHT	208G
IP RATING	IP20

## PRODUCT ORDERING

LED STRIP CONTROLLER		
	<b>HCP-75231</b>	288W
DIMENSIONS		

## SAMPLE WIRING DIAGRAM



# RGBW LED STRIP TOUCH PANEL CONTROLLER

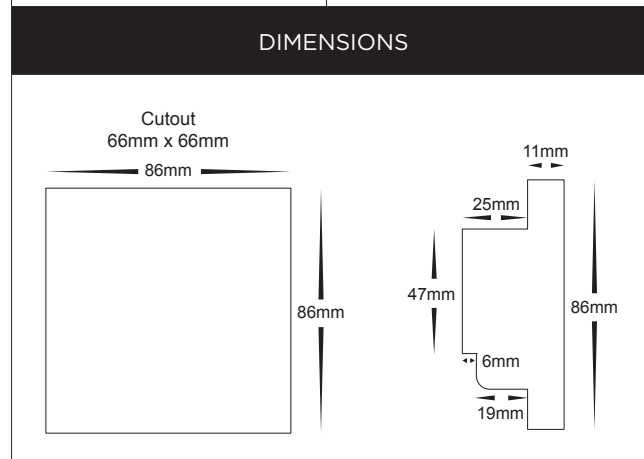


## PRODUCT DATA

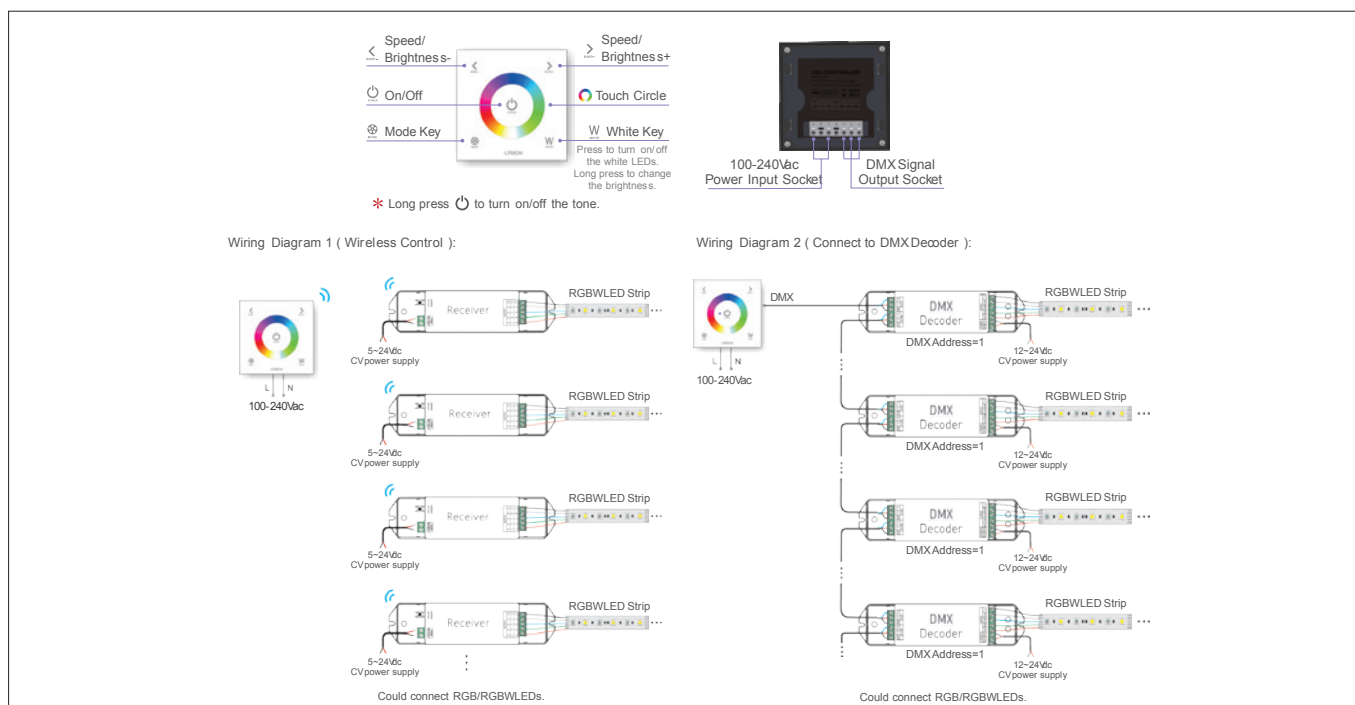
RGBW TOUCH PANEL	
MATERIAL	PLASTIC + GLASS
COLOUR/FINISH	WHITE
LED STRIP TYPE	RGBW
NO. OF CHANNELS	N/A
INPUT VOLTAGE	240V AC
OUTPUT SIGNAL	2.4GHZ + DMX512
DIMMING	YES
DIMMING RANGE	5% - 100%
PROTECTION	OVERLOAD & SHORT CIRCUIT
WORKING TEMP	-20°C TO +55°C
WEIGHT	165G
IP RATING	IP20

## PRODUCT ORDERING

LED STRIP CONTROLLER	
	<b>HCP-75232</b>
COMPATIBLE RECEIVER	COMPATIBLE DMX DECODER
<b>HCP-76242</b> 	<b>HCP-73231</b> 



## SAMPLE WIRING DIAGRAM



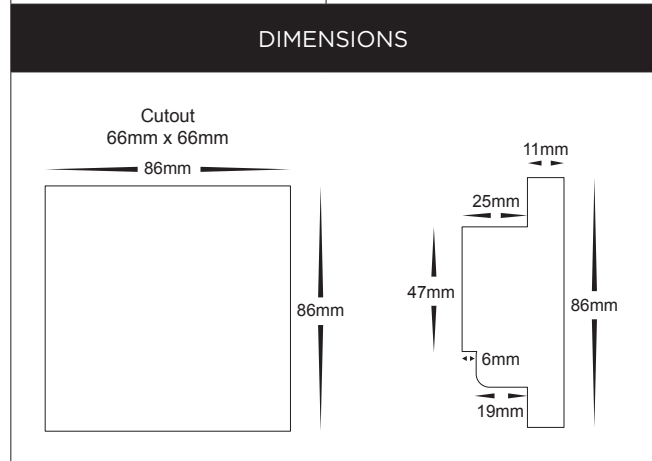


## PRODUCT ORDERING

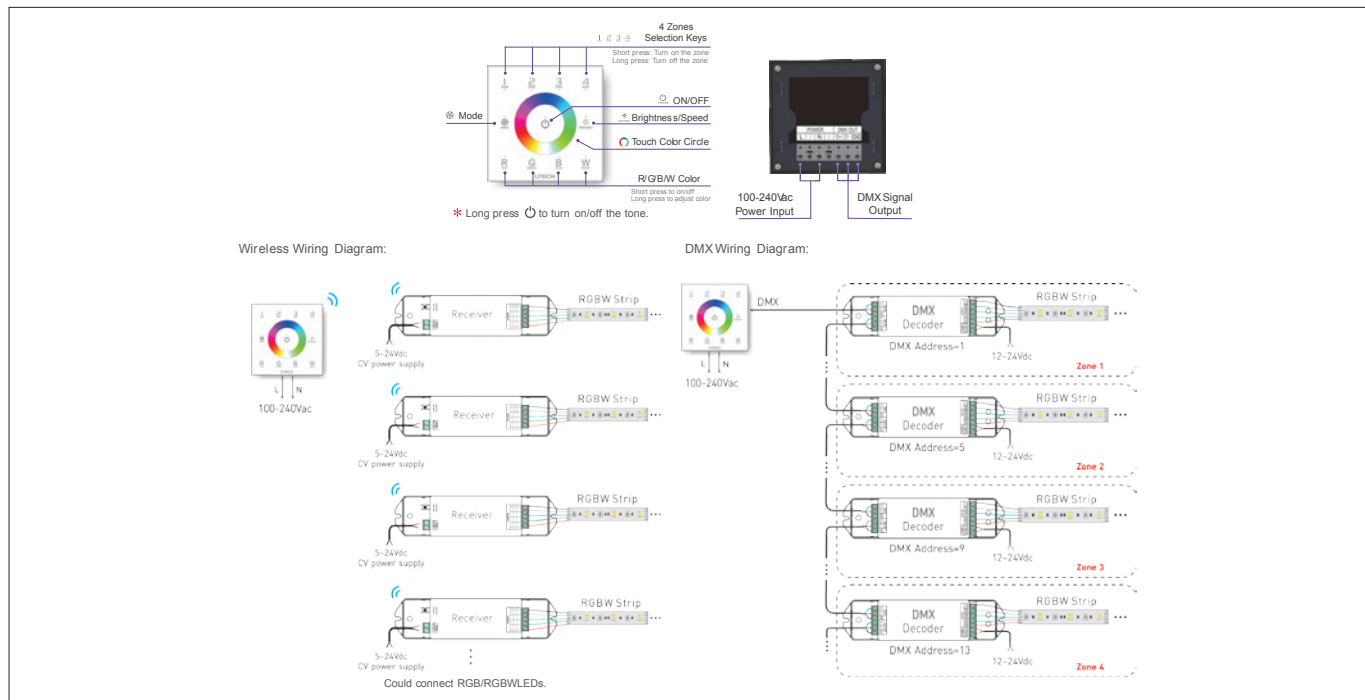
LED STRIP CONTROLLER	
	<b>HCP-75233</b>
COMPATIBLE RECEIVER	COMPATIBLE DMX DECODER
<b>HCP-76242</b> 	<b>HCP-73231</b> 

## PRODUCT DATA

RGBW TOUCH PANEL	
MATERIAL	PLASTIC + GLASS
COLOUR/FINISH	WHITE
LED STRIP TYPE	RGBW
NO. OF ZONES	4
INPUT VOLTAGE	240V AC
OUTPUT SIGNAL	2.4GHZ + DMX512
DIMMING	YES
DIMMING RANGE	5% - 100%
PROTECTION	OVERLOAD & SHORT CIRCUIT
WORKING TEMP	-20°C TO +55°C
WEIGHT	165G
IP RATING	IP20



## SAMPLE WIRING DIAGRAM



# RGBCW CONTROLLER

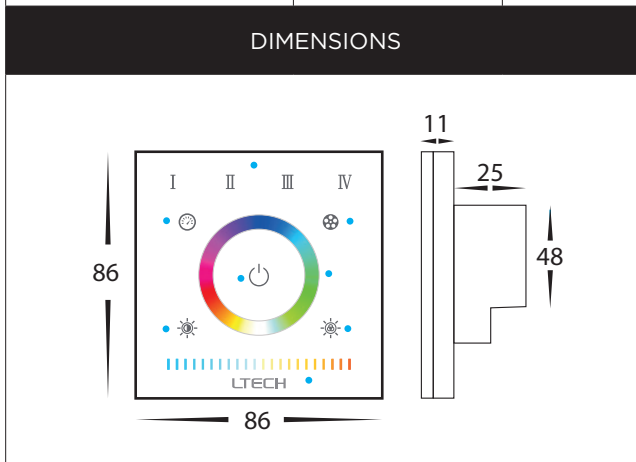


## PRODUCT DATA

RGBCW CONTROLLER	
MATERIAL	PLASTIC + GLASS
COLOUR/FINISH	WHITE
LED STRIP TYPE	RGBCW
NO. OF CHANNELS	5
INPUT VOLTAGE	24V DC
OUTPUT POWER	360W
DIMMING	YES
DIMMING RANGE	0-100%
PROTECTION	OVERLOAD & SHORT CIRCUIT
WORKING TEMP.	-20°C TO +55°C
WEIGHT	270G
IP RATING	IP20

## PRODUCT ORDERING

RGBCW CONTROLLER		
	<b>HCP-75251</b>	360W



## OTHER DATA

**E5S**

Scene -mode  
Short press: play  
Long press: save

Speed

ON/OFF

CT brightness  
Press: on/off  
Long press: brightness

Mode

Touch color circle

RGB brightness  
Press: on/off  
Long press: adjust

CT touch slider

**Mode**

- Red green jumping • Green blue jumping • Red blue jumping • RGB jumping • 7 color jumping
- Red green gradient • Green blue gradient • Red blue gradient • RGB gradient • 7 color gradient

**E5S: Connect with 12V strip, RGB Max. 108W, CT Max. 36W**  
Connect with 24V strip, RGB Max. 216W, CT Max. 72W

220V/110Vac

Power supply

RGB Strip

CT Strip

**E5S RGB/CT Strip**

220V/110Vac

Power supply

RGBWY Strip

**E5S RGBWY Strip**



## PRODUCT DATA

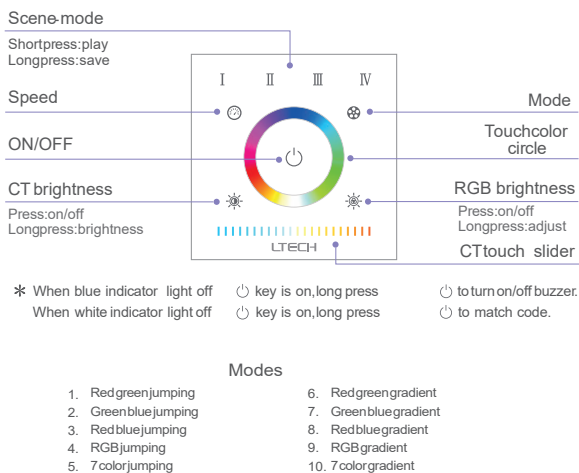
RGBCW CONTROLLER	
MATERIAL	PLASTIC + GLASS
COLOUR/FINISH	WHITE
LED STRIP TYPE	RGBCW
NO. OF ZONES	4
INPUT VOLTAGE	240V
OUTPUT SIGNAL	2.4GHZ
DIMMING	YES
DIMMING RANGE	0-100%
PROTECTION	OVERLOAD & SHORT CIRCUIT
WORKING TEMP.	-20°C TO +55°C
WEIGHT	270G
IP RATING	IP20

## PRODUCT ORDERING

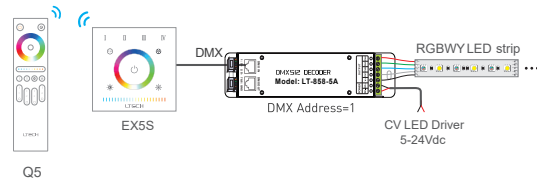
RGBCW CONTROLLER	
	HCP-75252
COMPATIBLE RECEIVER	
	HCP-76251
DIMENSIONS	

## OTHER DATA

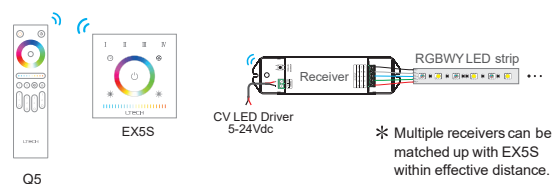
### Key Functions



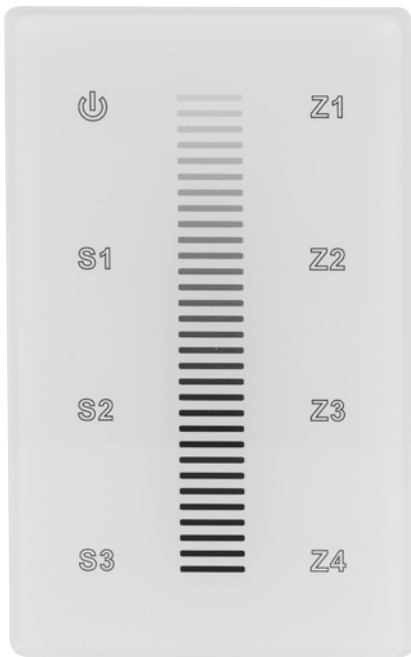
### DMX Wiring



### RF Wireless Wiring





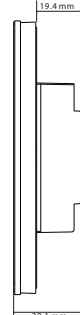
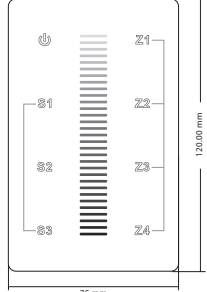
# SINGLE COLOUR CONTROLLER



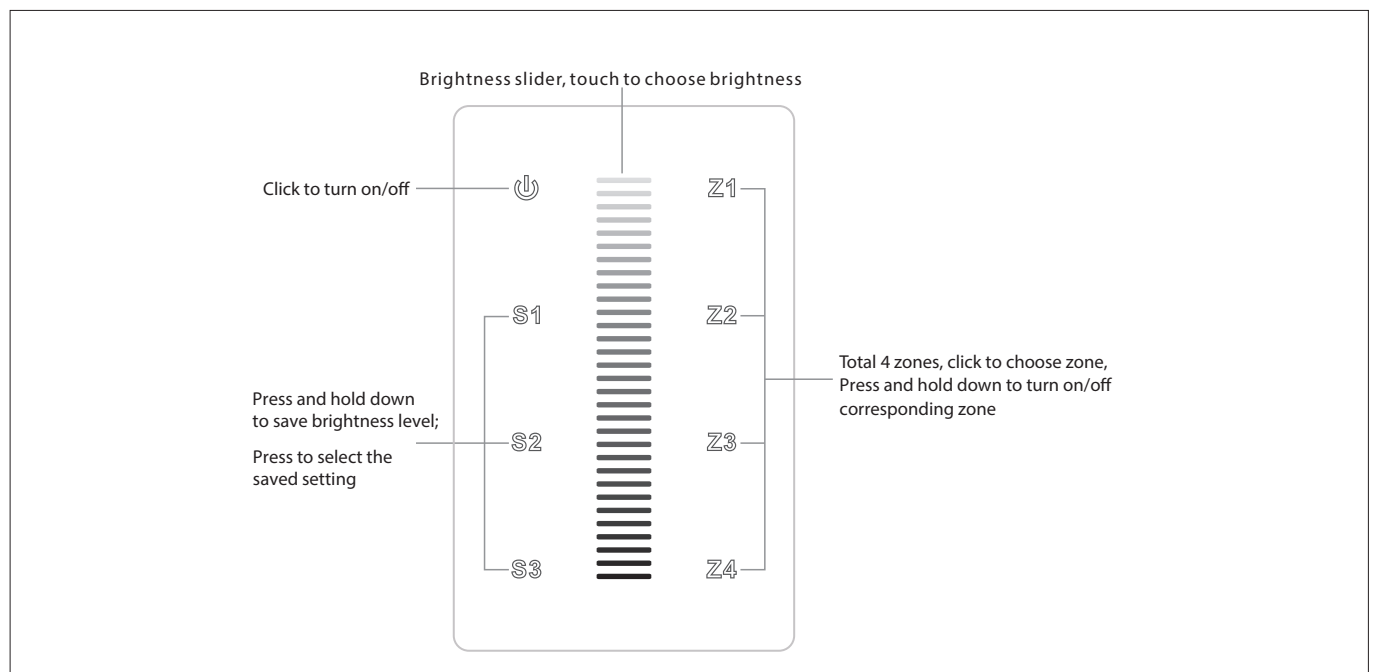
## PRODUCT DATA

SINGLE COLOUR CONTROLLER	
MATERIAL	PLASTIC + GLASS
COLOUR/FINISH	WHITE
LED STRIP TYPE	SINGLE COLOUR
NO. OF ZONES	4
NO. OF SCENES	3
INPUT VOLTAGE	240V
DIMMING	YES
DIMMING RANGE	0-100%
PROTECTION	OVERLOAD & SHORT CIRCUIT
WORKING TEMP.	-20°C TO +55°C
WEIGHT	270G
IP RATING	IP20

## PRODUCT ORDERING

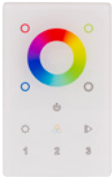

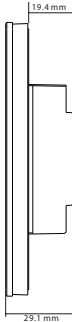
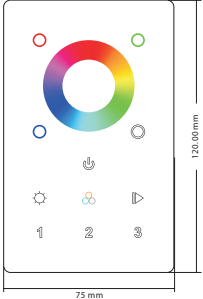
SINGLE COLOUR CONTROLLER	
	<b>HCP-75215</b>
COMPATIBLE RECEIVER	
	<b>HCP-77243</b>
DIMENSIONS	
	

## OTHER DATA





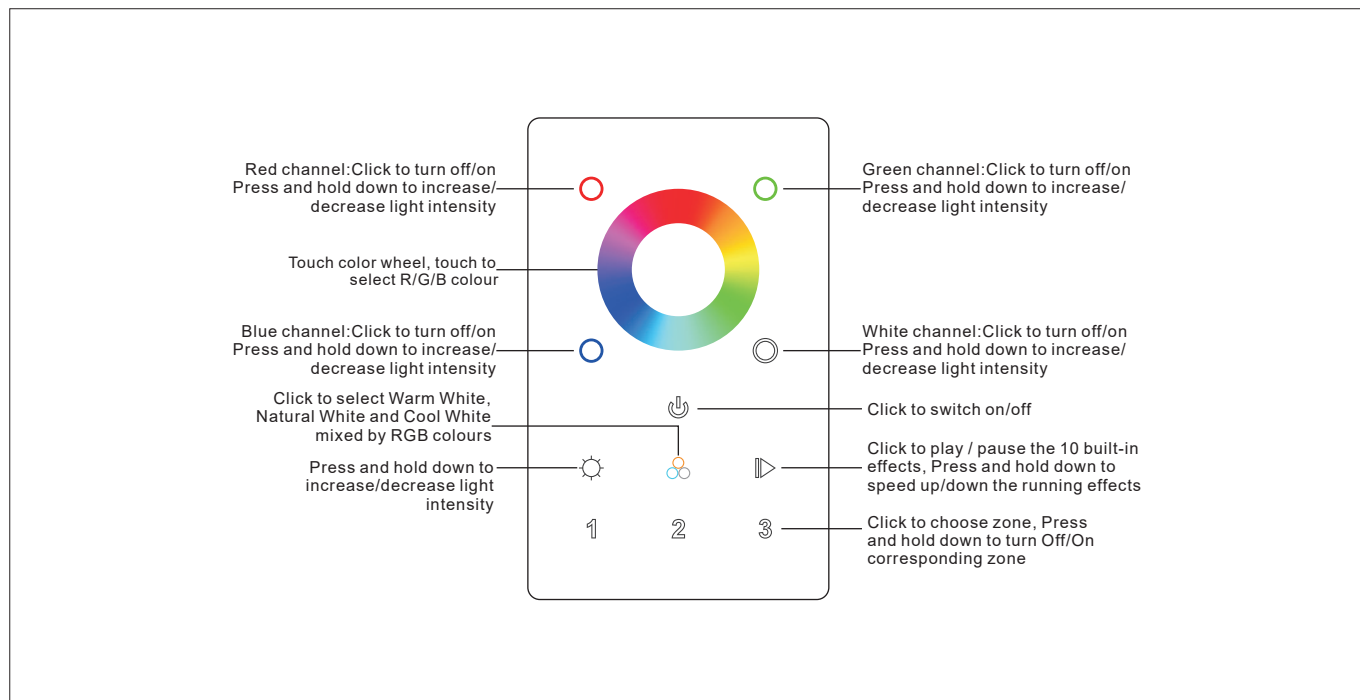
## PRODUCT ORDERING

LED STRIP CONTROLLER	
	<b>HCP-75234</b>
COMPATIBLE RECEIVER	
	<b>HCP-77243</b>
DIMENSIONS	
	

## PRODUCT DATA

RGBW CONTROLLER	
MATERIAL	PLASTIC + GLASS
COLOUR/FINISH	WHITE
LED STRIP TYPE	RGBC OR RGBW
NO. OF ZONES	3
INPUT VOLTAGE	240V
DIMMING	YES
DIMMING RANGE	0-100%
PROTECTION	OVERLOAD & SHORT CIRCUIT
WORKING TEMP.	-20°C TO +55°C
WEIGHT	270G
IP RATING	IP20

## OTHER DATA




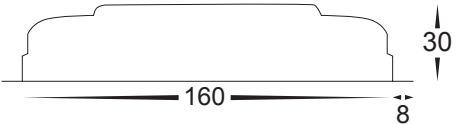
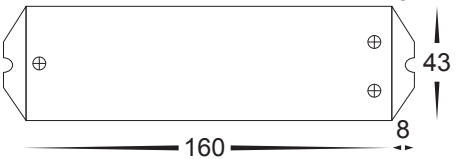
# 4 CHANNEL LED STRIP RECEIVER



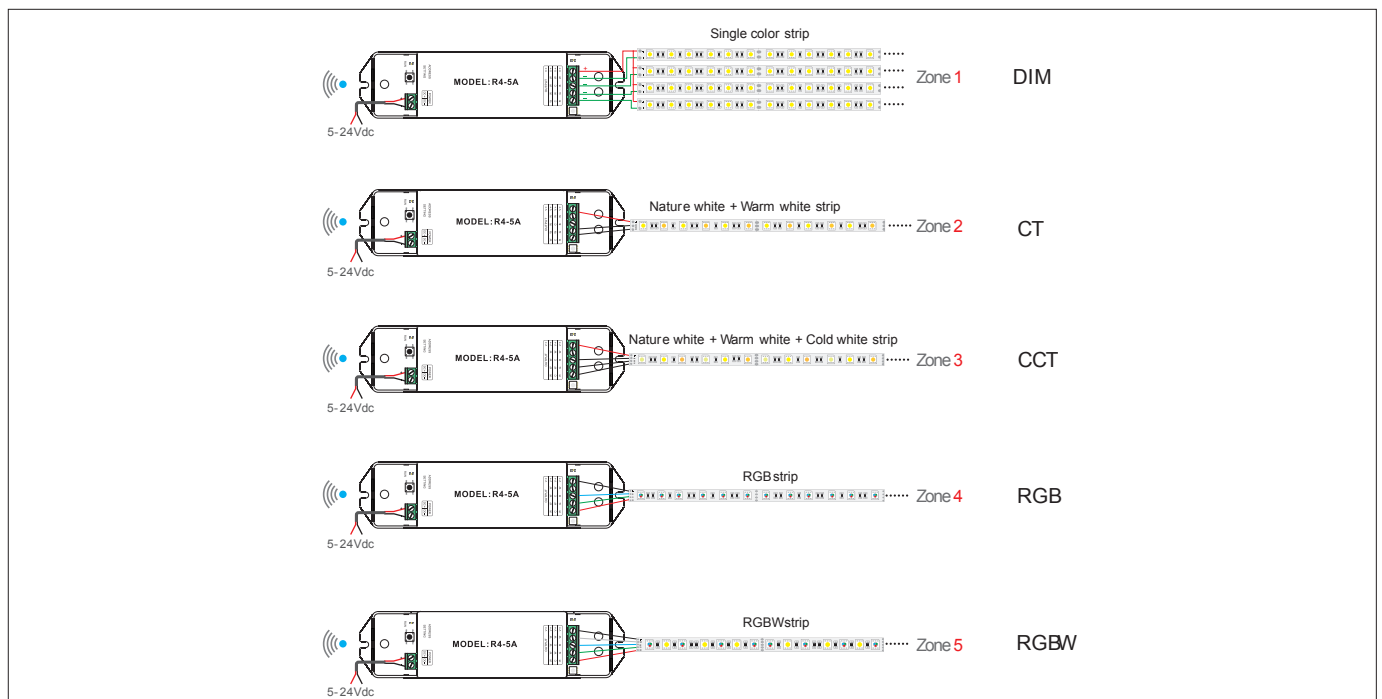
## PRODUCT DATA

FOUR CHANNEL LED STRIP RECEIVER	
MATERIAL	PLASTIC
COLOUR/FINISH	WHITE
LED STRIP TYPE	SINGLE COLOUR, RGB + RGBW
NO. OF CHANNELS	4
INPUT VOLTAGE	24V DC
OUTPUT POWER	480W (4X 120W)
WIRELESS SIGNAL	2.4GHZ
DIMMING	YES
DIMMING RANGE	0-100%
PROTECTION	OVERLOAD & SHORT CIRCUIT
WORKING TEMP	-20°C TO +55°C
WEIGHT	150G
IP RATING	IP20

## PRODUCT ORDERING

LED STRIP CONTROLLER		
	<b>HCP-76241</b>	480W
DIMENSIONS		
		
		

## SAMPLE WIRING DIAGRAM




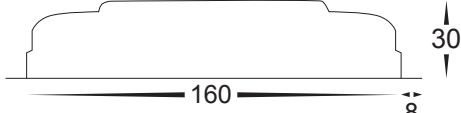
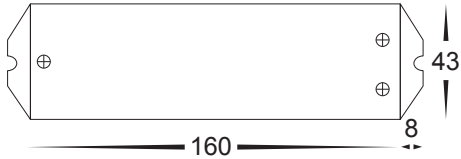




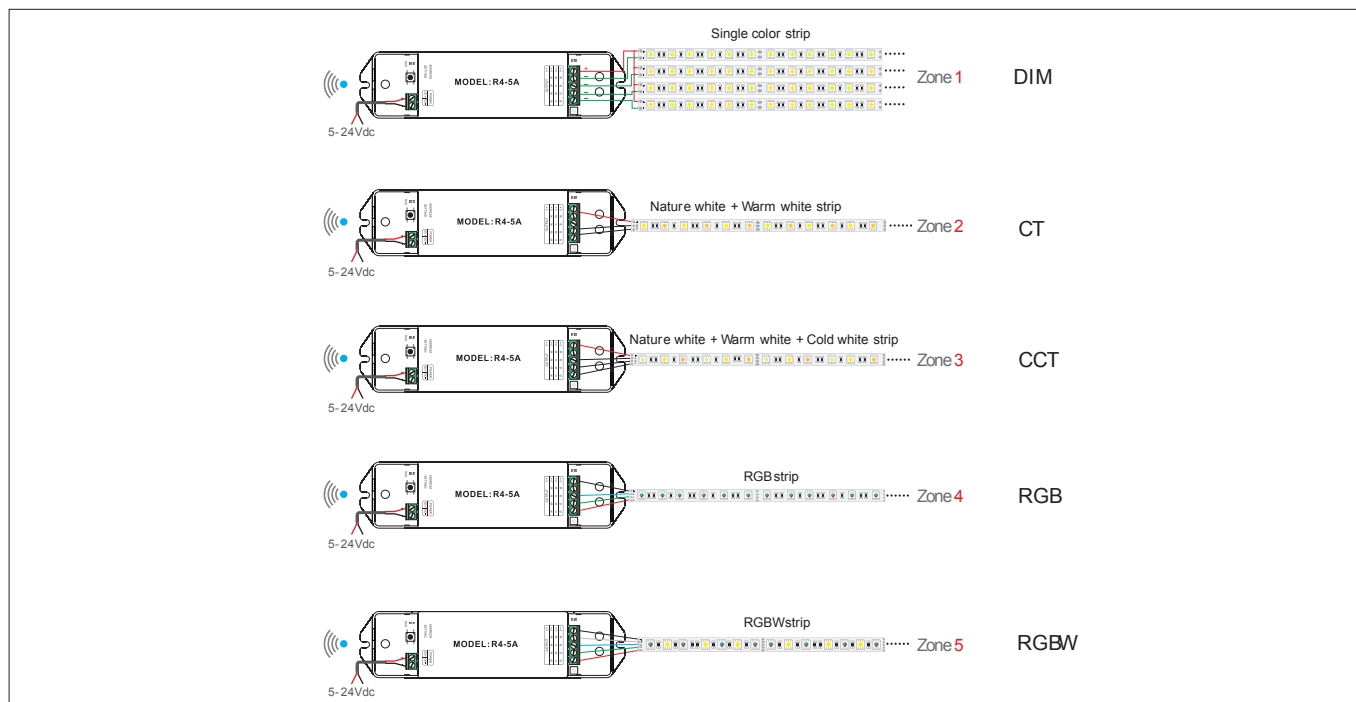
## PRODUCT DATA

FOUR CHANNEL RECEIVER	
MATERIAL	PLASTIC
COLOUR/FINISH	WHITE
LED STRIP TYPE	ALL LED STRIP
NO. OF CHANNELS	4
INPUT VOLTAGE	24V DC
OUTPUT POWER	480W (4X 120W)
WIRELESS SIGNAL	2.4GHZ
DIMMING	YES
DIMMING RANGE	0-100%
PROTECTION	OVERLOAD & SHORT CIRCUIT
WORKING TEMP.	-20°C TO +55°C
WEIGHT	150G
IP RATING	IP20

## PRODUCT ORDERING

LED STRIP CONTROLLER		
	<b>HCP-76242</b>	480W
DIMENSIONS		
		
		

## SAMPLE WIRING DIAGRAM



# 5 CHANNEL RF CONTROLLER



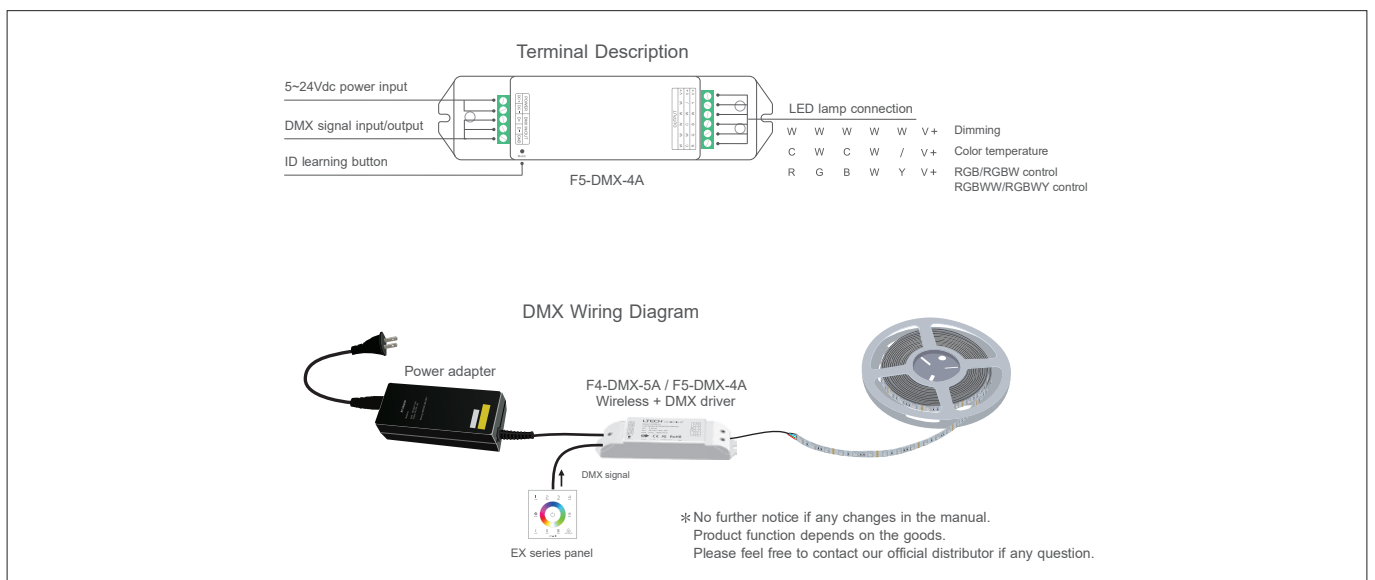
## PRODUCT DATA

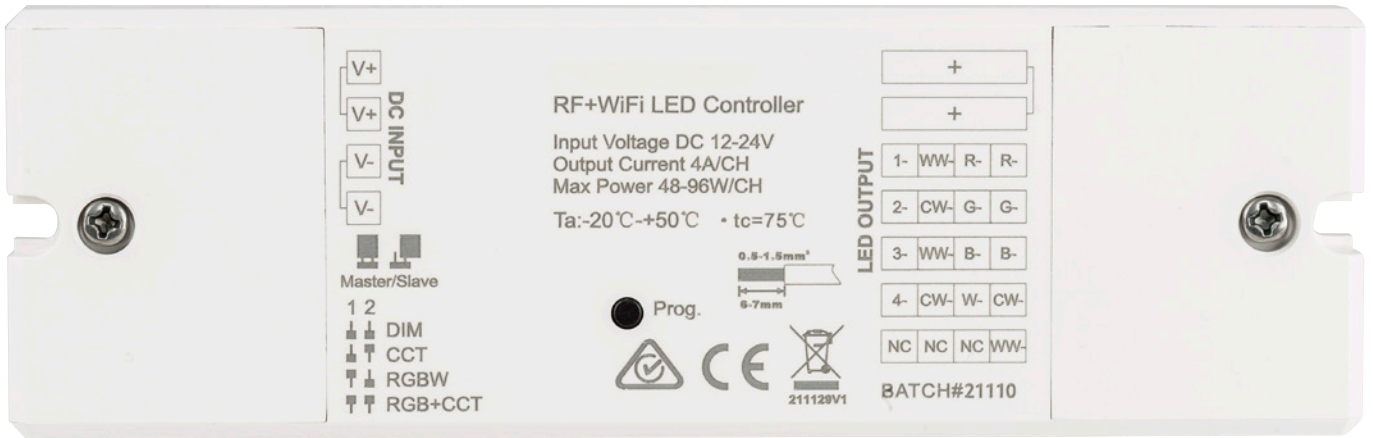
5 CHANNEL RF CONTROLLER	
MATERIAL	PLASTIC
COLOUR/FINISH	WHITE
LED STRIP TYPE	RGBCW
NO. OF CHANNELS	5
INPUT VOLTAGE	24V DC
OUTPUT POWER	480W
WIRELESS SIGNAL	2.4GHZ
DMX SIGNAL	DMX512
DIMMING	YES
DIMMING RANGE	0-100%
PROTECTION	OVERLOAD & SHORT CIRCUIT
WORKING TEMP.	-20°C TO +55°C
WEIGHT	270G
IP RATING	IP20

## PRODUCT ORDERING

LED STRIP CONTROLLER		
	<b>HCP-76251</b>	480W
DIMENSIONS		

## SAMPLE WIRING DIAGRAM


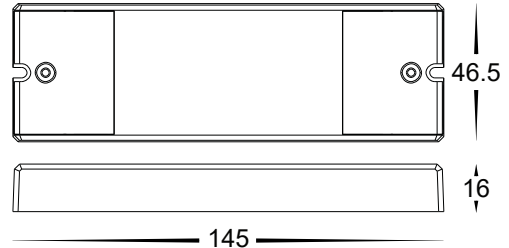




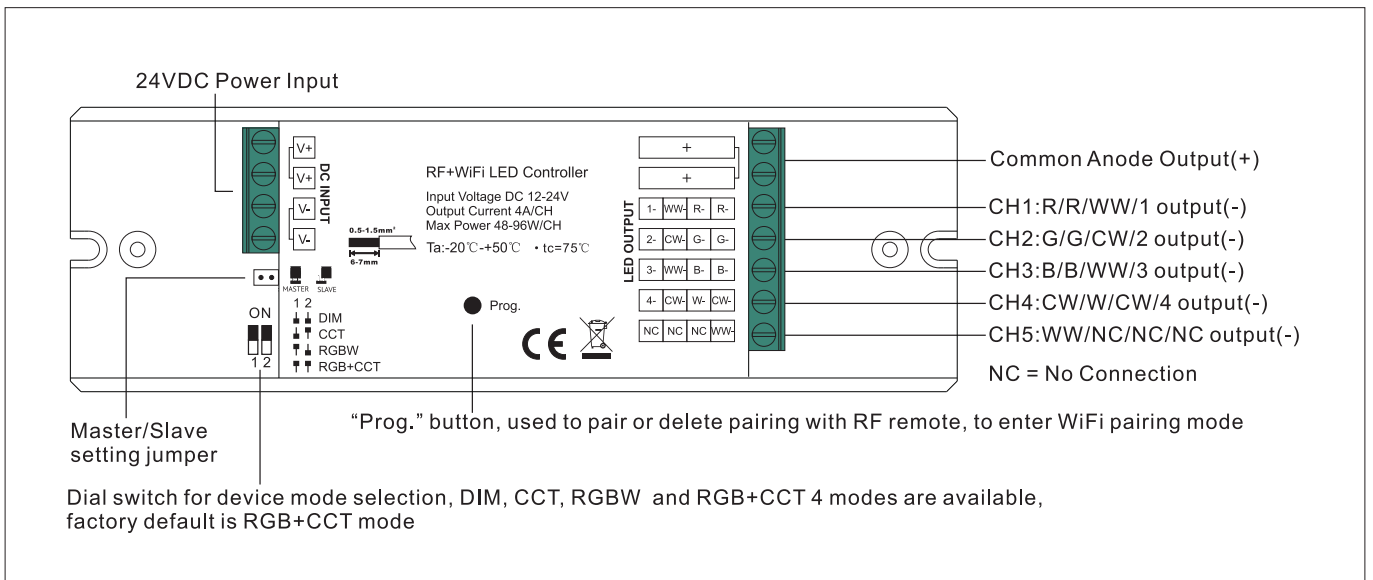
PRODUCT DATA

RF + WIFI CONTROLLER	
MATERIAL	PLASTIC
COLOUR/FINISH	WHITE
LED STRIP TYPE	ALL LED STRIP
NO. OF CHANNELS	5
INPUT VOLTAGE	24V DC
OUTPUT POWER	480W
WIRELESS SIGNAL	2.4GHZ
DIMMING	YES
DIMMING RANGE	0-100%
WORKING TEMP.	-20°C TO +55°C
IP RATING	IP20

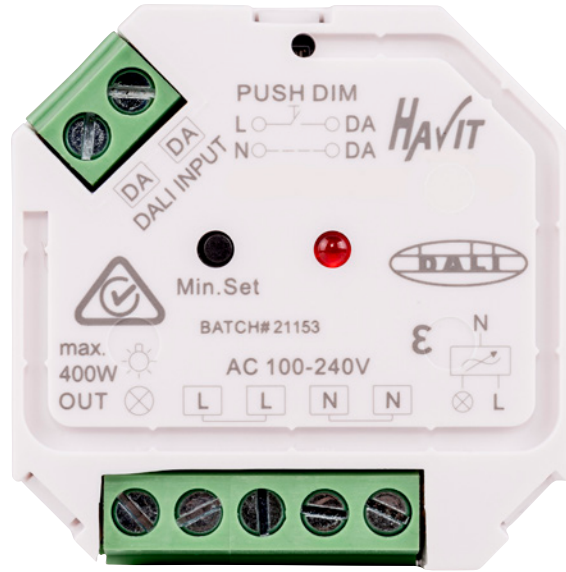
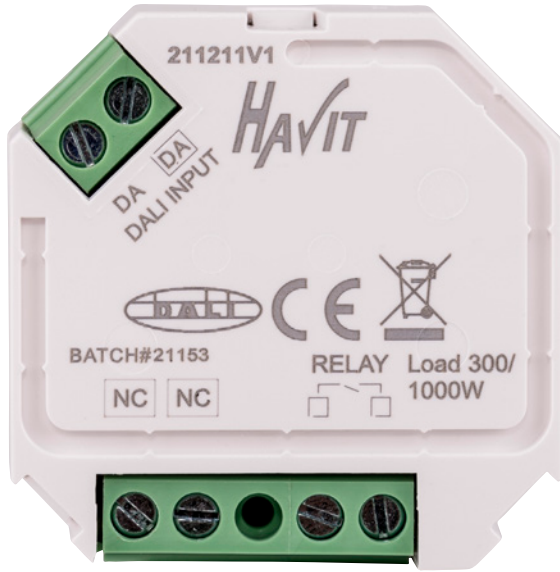
PRODUCT ORDERING

RF + WIFI CONTROLLER		
	<b>HCP-77243</b>	480W
DIMENSIONS		
		

SAMPLE WIRING DIAGRAM





# DALI RELAY MODULE



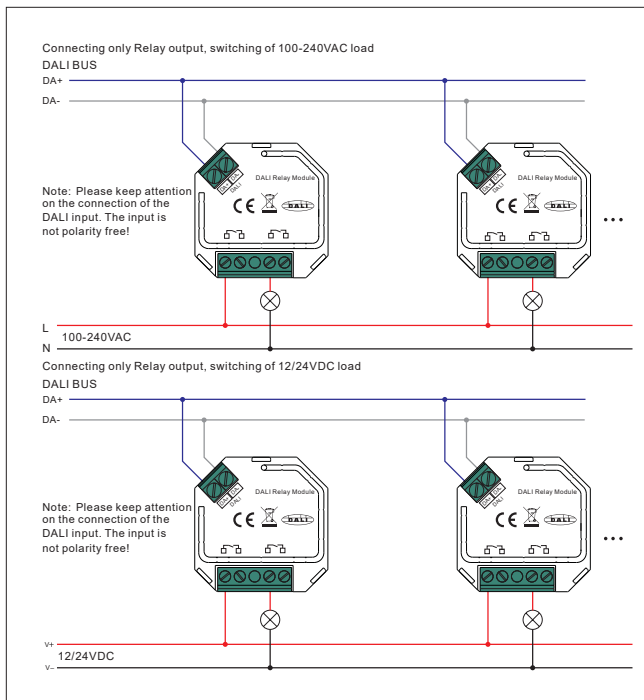
## PRODUCT DATA

DALI RELAY MODULE	
MATERIAL	PLASTIC
COLOUR/FINISH	WHITE
NO. OF ADDRESSES	1
INPUT VOLTAGE	EITHER 12V/24V DC OR 240V
OUTPUT POWER	200W LED
DIMMING	DALI OR NON DIMMING
DIMMING RANGE	0-100% HCP-79274 ONLY
CONSUMPTION	<30MA
PROTECTION	OVERLOAD & SHORT CIRCUIT
WORKING TEMP.	-20°C TO +55°C
IP RATING	IP20

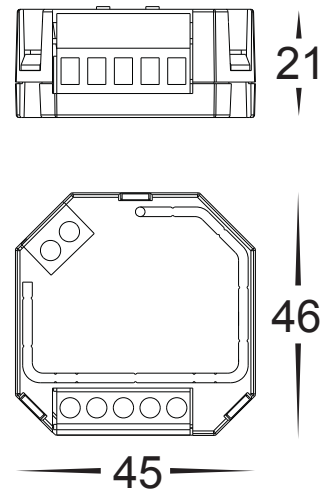
## PRODUCT ORDERING

DALI RELAY MODULE		
	<b>HCP-79273</b> ON AND OFF RELAY	200W
	<b>HCP-79274</b> DIMMING RELAY	200W

## SAMPLE WIRING DIAGRAM





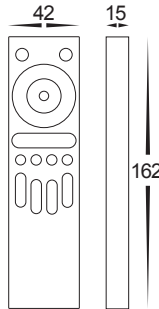
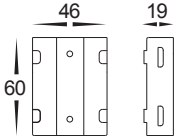
## DIMENSIONS



# 4 ZONE SINGLE COLOUR REMOTE CONTROLLER



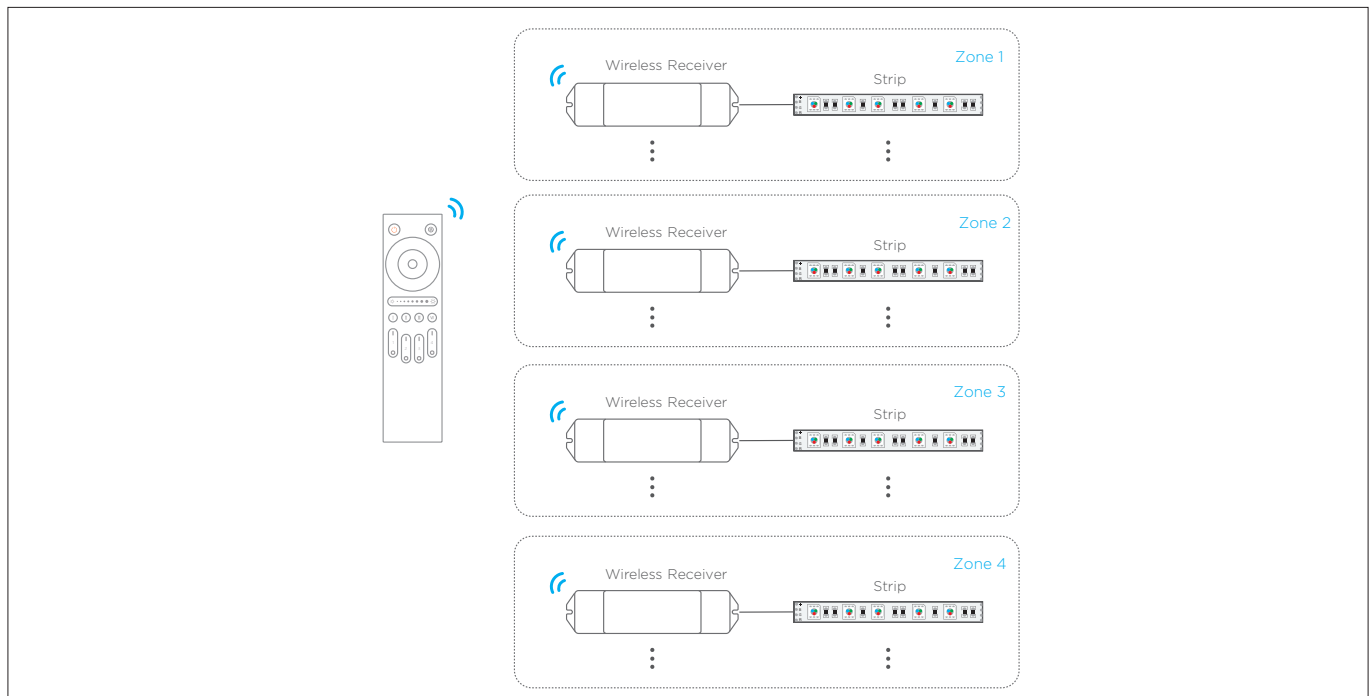
## PRODUCT ORDERING

LED STRIP CONTROLLER	
	<b>HCP-78211</b>
COMPATIBLE RECEIVER	
	<b>HCP-76242</b>
DIMENSIONS	
	
Remote	Remote holder

## PRODUCT DATA

SINGLE COLOUR 4 ZONE LED STRIP REMOTE	
MATERIAL	PLASTIC
COLOUR/FINISH	WHITE
LED STRIP TYPE	SINGLE COLOUR
NO. OF ZONES	4
WIRELESS FREQUENCY	2.4GHZ
INPUT VOLTAGE	3V (2X AAA)
DIMMING	YES
IP RATING	IP20
WORKING TEMP.	-20°C TO +55°C
WEIGHT	100G



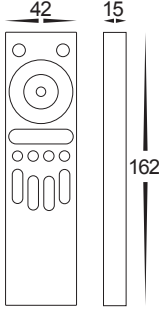
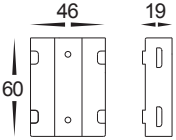
## SAMPLE WIRING DIAGRAM



# 4 ZONE RGBW REMOTE CONTROLLER



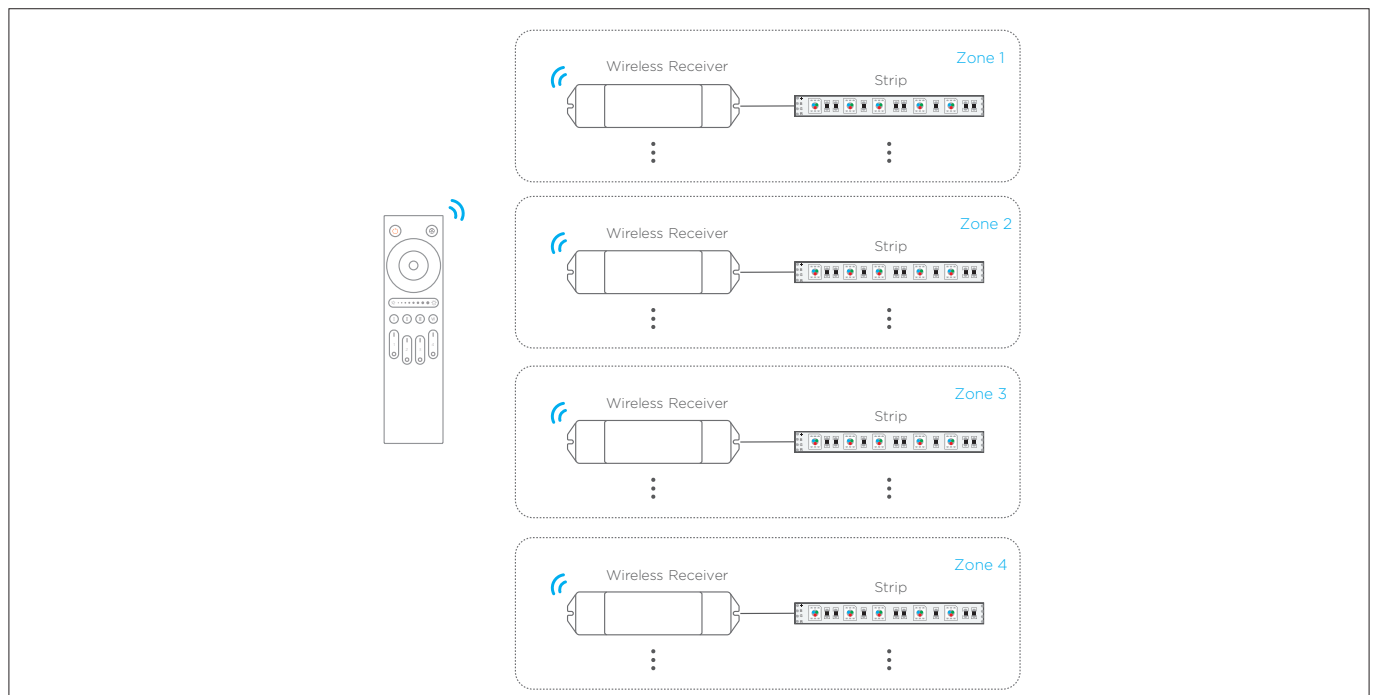
## PRODUCT ORDERING

LED STRIP CONTROLLER	
	<b>HCP-78241</b>
COMPATIBLE RECEIVER	
	<b>HCP-76242</b>
DIMENSIONS	
	
Remote	Remote holder

## PRODUCT DATA




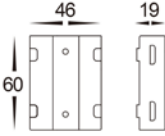
RGBW 4 ZONE LED STRIP REMOTE	
MATERIAL	PLASTIC
COLOUR/FINISH	WHITE
LED STRIP TYPE	RGBW
NO. OF ZONES	4
WIRELESS FREQUENCY	2.4GHZ
INPUT VOLTAGE	3V (2X AAA)
DIMMING	YES
IP RATING	IP20
WORKING TEMP.	-20°C TO +55°C
WEIGHT	100G

## SAMPLE WIRING DIAGRAM





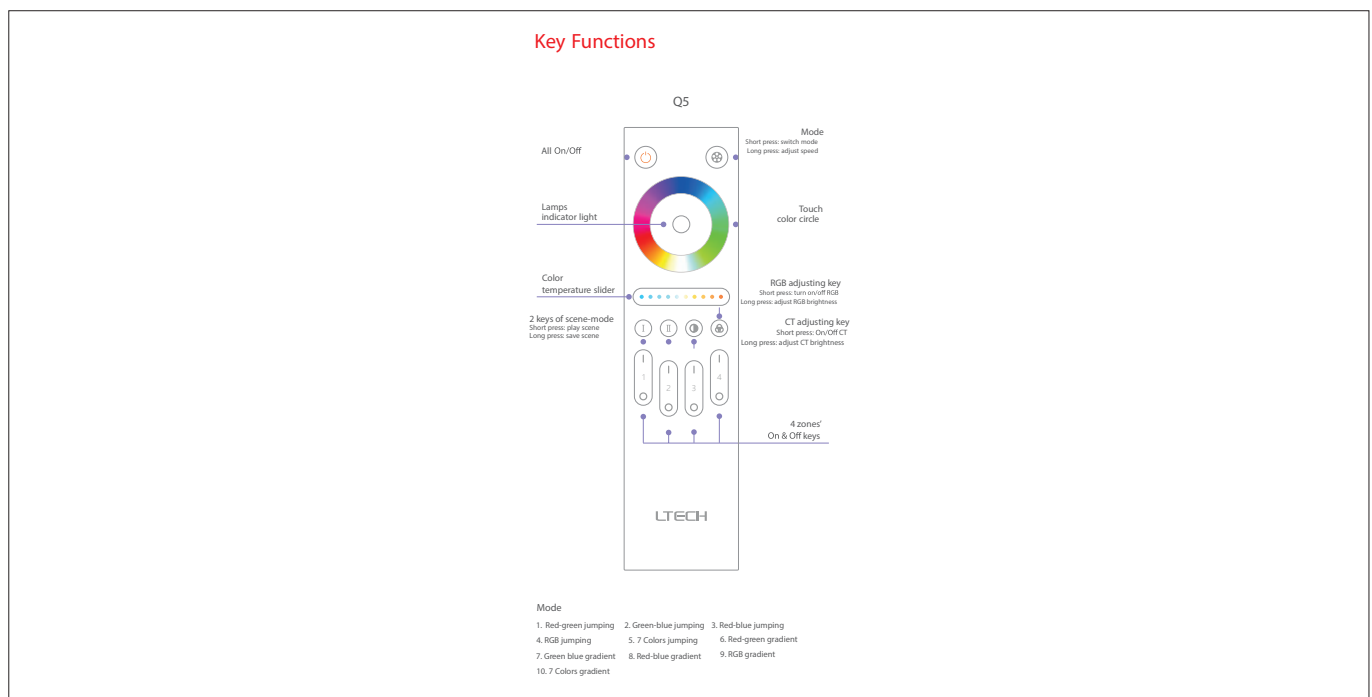
## PRODUCT ORDERING

LED STRIP CONTROLLER	
	<b>HCP-78251</b>
COMPATIBLE RECEIVER	
	<b>HCP-76251</b>
DIMENSIONS	
	
Remote	Remote holder

## PRODUCT DATA

RGBCW RF CONTROLLER	
MATERIAL	PLASTIC
COLOUR/FINISH	WHITE
LED STRIP TYPE	RGBCW
NO. OF ZONES	4
INPUT VOLTAGE	3X AAA
WIRELESS SIGNAL	2.4GHZ
DIMMING	YES
WORKING TEMP.	-20°C TO +55°C
IP RATING	IP20



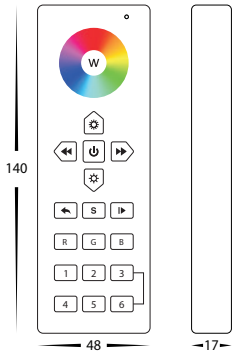
## SAMPLE WIRING DIAGRAM



# RGBW RF CONTROLLER



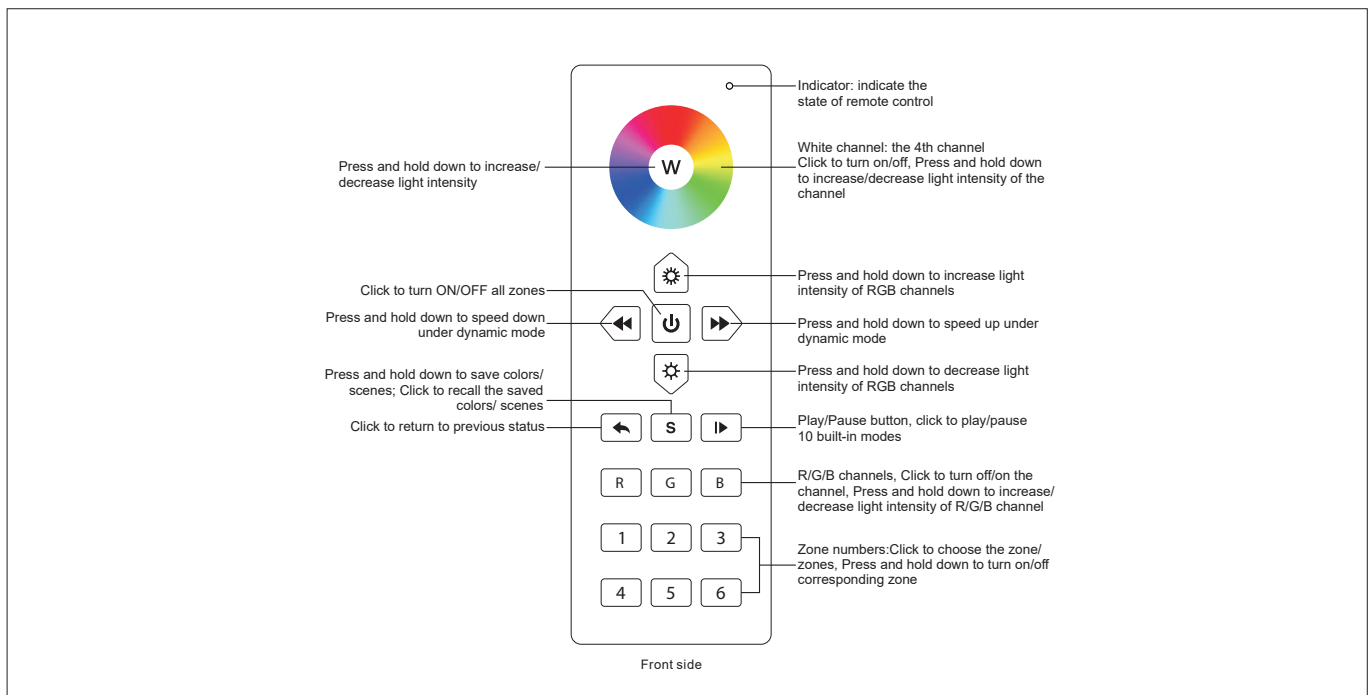
## PRODUCT ORDERING

LED STRIP CONTROLLER	
	<b>HCP-78243</b>
COMPATIBLE RECEIVER	
	<b>HCP-77243</b>
DIMENSIONS	
	

## PRODUCT DATA

RGBW RF CONTROLLER	
MATERIAL	PLASTIC
COLOUR/FINISH	BLACK
LED STRIP TYPE	RGBC OR RGBW
NO. OF ZONES	4
INPUT VOLTAGE	3X AAA
WIRELESS SIGNAL	2.4GHZ
DIMMING	YES
WORKING TEMP.	-20°C TO +55°C
IP RATING	IP20
WEIGHT	100G



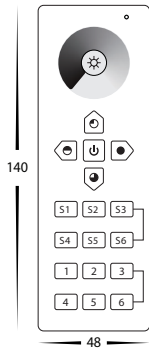
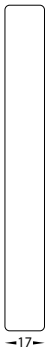
## SAMPLE WIRING DIAGRAM







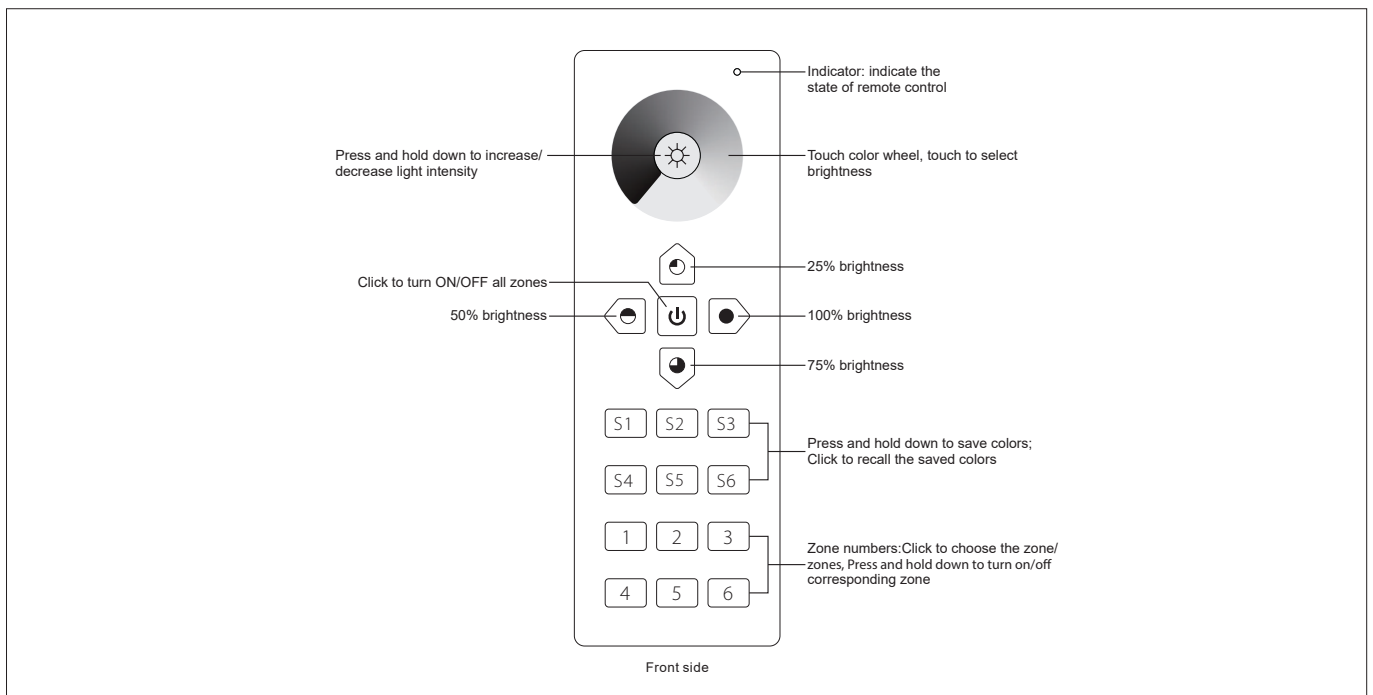
## PRODUCT ORDERING

LED STRIP CONTROLLER	
	<b>HCP-78212</b>
COMPATIBLE RECEIVER	
	<b>HCP-77243</b>
DIMENSIONS	
	

## PRODUCT DATA

SINGLE COLOUR RF CONTROLLER	
MATERIAL	PLASTIC
COLOUR/FINISH	BLACK
LED STRIP TYPE	SINGLE COLOUR
NO. OF ZONES	6
NO. OF SCENES	6
INPUT VOLTAGE	3X AAA
WIRELESS SIGNAL	2.4GHZ
DIMMING	YES
WORKING TEMP.	-20°C TO +55°C
IP RATING	IP20

## SAMPLE WIRING DIAGRAM



# RGBCW RF CONTROLLER



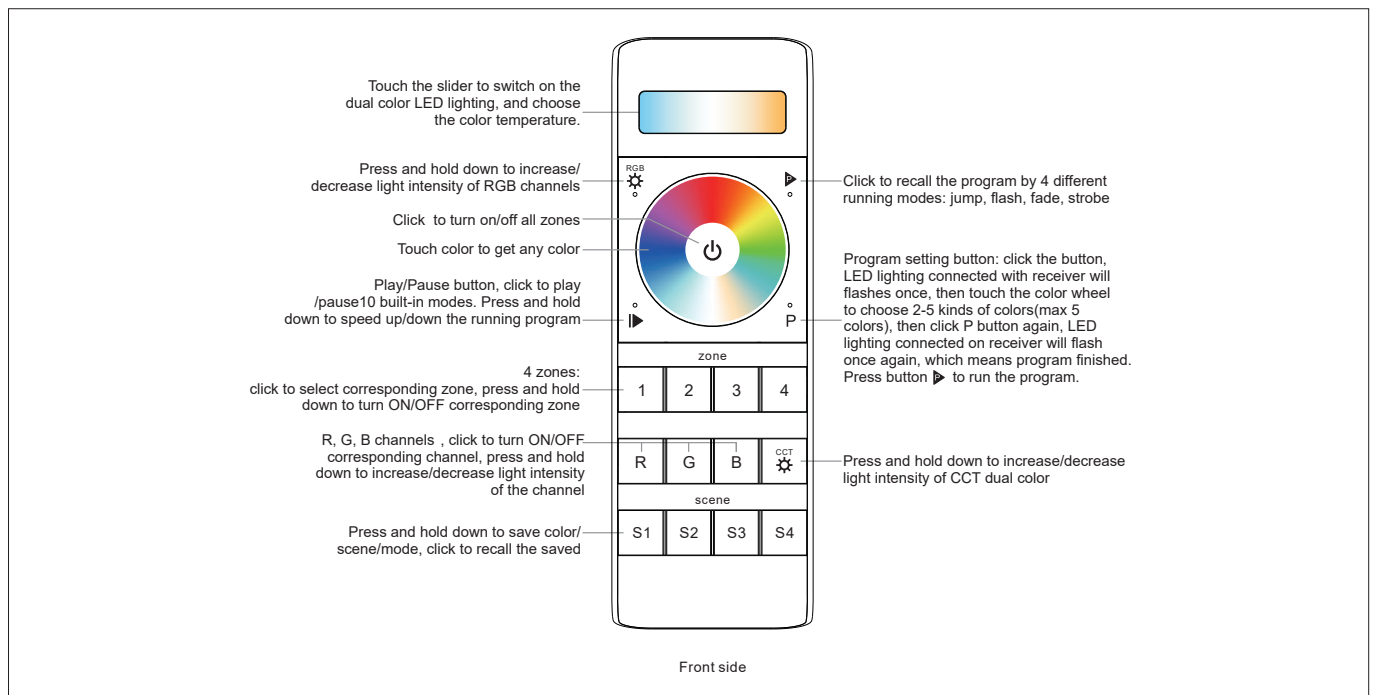
## PRODUCT ORDERING

LED STRIP CONTROLLER	
	<b>HCP-78252</b>
COMPATIBLE RECEIVER	
	<b>HCP-77243</b>
DIMENSIONS	
	

## PRODUCT DATA

RGBCW RF CONTROLLER	
MATERIAL	PLASTIC
COLOUR/FINISH	BLACK
LED STRIP TYPE	RGBCW
NO. OF ZONES	4
NO. OF SCENES	4
INPUT VOLTAGE	3X AAA
WIRELESS SIGNAL	2.4GHZ
DIMMING	YES
WORKING TEMP.	-20°C TO +55°C
IP RATING	IP20

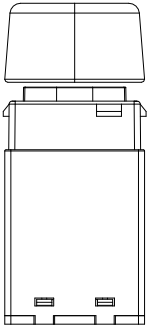
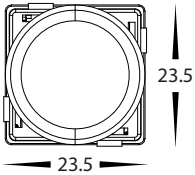
## SAMPLE WIRING DIAGRAM





PRODUCT ORDERING

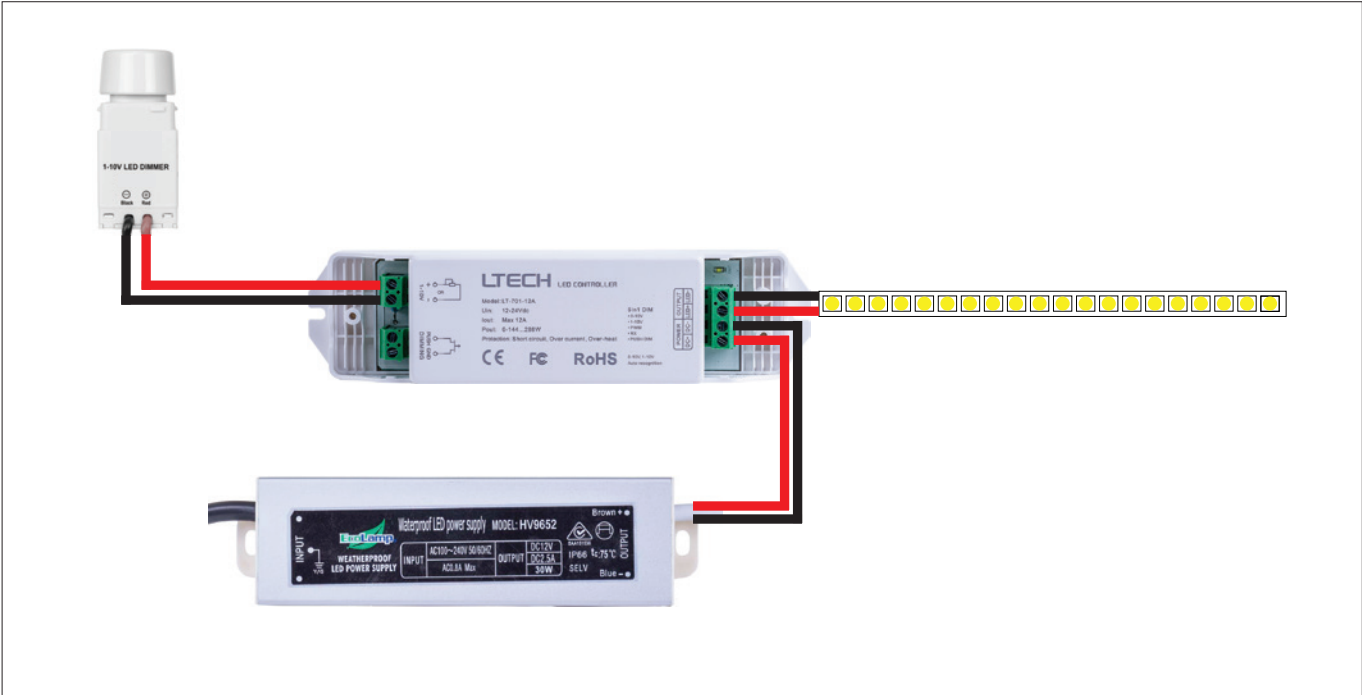
LED STRIP CONTROLLER	
	<b>HCP-71212</b>

DIMENSIONS	
	

PRODUCT DATA

0-1/10V CONTROLLER	
MATERIAL	PLASTIC
COLOUR/FINISH	WHITE
LED STRIP TYPE	SINGLE COLOUR
INPUT VOLTAGE	10V DC
DIMMING	YES
WORKING TEMP.	-20°C TO +55°C
IP RATING	IP20

OTHER DATA



# SPI RF CONTROLLER



## PRODUCT ORDERING

LED STRIP CONTROLLER	
	<b>HCP-78261</b>
DIMENSIONS	
<p>Receiver</p>	<p>Remote</p>
<p>Remote Holder</p>	

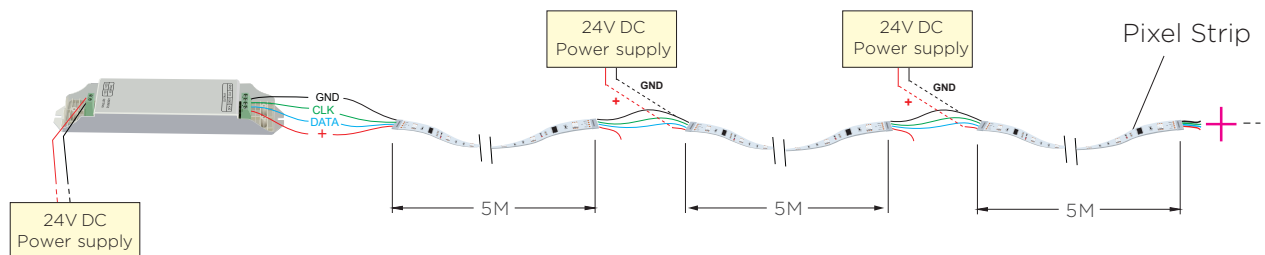
## PRODUCT DATA

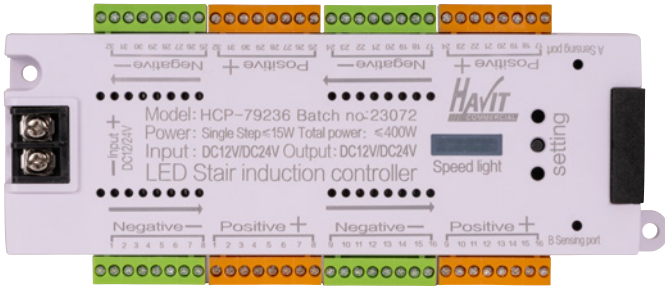
SPI RF CONTROLLER	
MATERIAL	PLASTIC
COLOUR/FINISH	WHITE
LED STRIP TYPE	SPI
NO. OF ZONES	1
NO. OF SCENES	16
INPUT VOLTAGE	CR2032
OUTPUT POWER	240W
WIRELESS SIGNAL	2.4GHZ
DIMMING	YES
WORKING TEMP.	-20°C TO +55°C
IP RATING	IP20

## SAMPLE WIRING DIAGRAM


LED pixel strip wiring diagram:

Conventional connection method




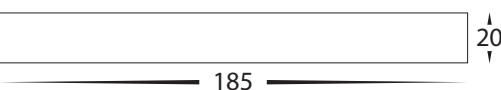


## PRODUCT ORDERING

LED STRIP CONTROLLER	
	<b>HCP-79236</b>

## PRODUCT DATA

STAIR CONTROLLER	
MATERIAL	PLASTIC
COLOUR/FINISH	GREY
LED STRIP TYPE	SINGLE COLOUR
NO. OF CHANNELS	32
NO. OF SPEEDS	3
INPUT VOLTAGE	24V DC
OUTPUT POWER	400W
DIMMING	NO
WORKING TEMP.	-20°C TO +55°C
IP RATING	IP20
WEIGHT	100G

DIMENSIONS	
	85
	185 20

## OTHER DATA






# 24W 600MM PROLINE LINEAR EXTENSION

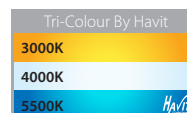


## PRODUCT DATA

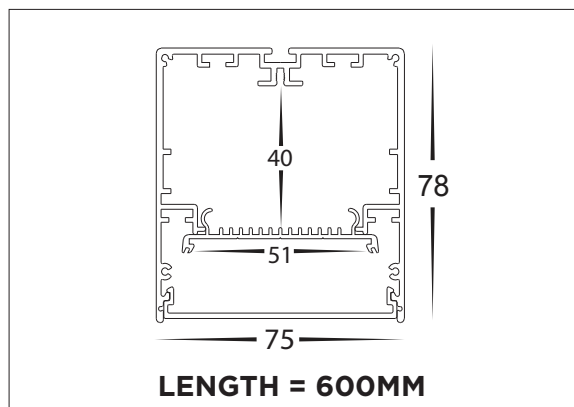
600MM EXTENSION	
MATERIAL	ALUMINIUM
COLOUR/FINISH	MATT BLACK
COLOUR TEMP.	3000K   4000K   5500K (TRI COLOUR)
LUMEN OUTPUT	2100LM   2200LM   2300LM
INPUT VOLTAGE	240V AC
BUILT-IN LED	24W
DIMMING	TRIAC, 0-1/10V, DALI
CRI	RA >80
BEAM ANGLE	120°
IP RATING	IP20

## PRODUCT ORDERING

ALUMINIUM BLACK EXTENSION (To be used to extend Pendant models)				
	<b>HCP-602242</b> (Triac + 0-1/10v Dimmable)	24W LED	3000K	2100LM
	<b>HCP-602244</b> (DALI Dimmable)		4000K	2200LM
			5500K	2300LM
JOINER				
	<b>HCP-600000-JOINER</b>	JOINER KIT TO ALLOW MULTIPLE LENGTHS TO BE JOINED TO FORM A CONTINUOUS RUN.		



## OTHER DATA



# 24W 600MM PROLINE LINEAR EXTENSION





## PRODUCT DATA

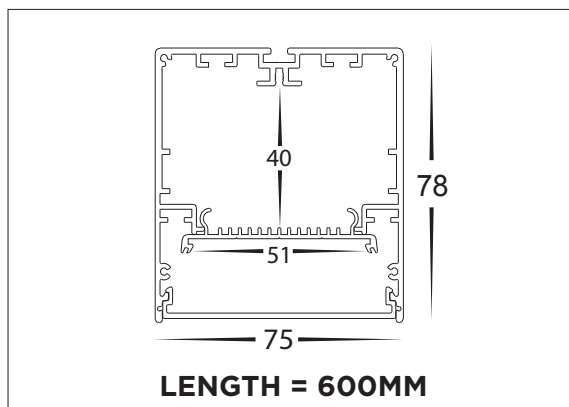
600MM EXTENSION	
MATERIAL	ALUMINIUM
COLOUR/FINISH	MATT WHITE
COLOUR TEMP.	3000K   4000K   5500K (TRI COLOUR)
LUMEN OUTPUT	2100LM   2200LM   2300LM
INPUT VOLTAGE	240V AC
BUILT-IN LED	24W
DIMMING	TRIAC, 0-1/10V, DALI
CRI	RA >80
BEAM ANGLE	120°
IP RATING	IP20

Tri-Colour By Havit	
3000K	
4000K	
5500K	Havit

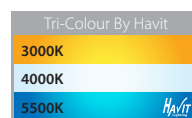
## PRODUCT ORDERING

ALUMINIUM WHITE EXTENSION <i>(To be used to extend Pendant models)</i>				
	<b>HCP-603242</b> (Triac + 0-1/10v Dimmable)	24W LED	3000K	2100LM
	<b>HCP-603244</b> (DALI Dimmable)		4000K 5500K	2200LM 2300LM
JOINER				
	<b>HCP-600000-JOINER</b>	JOINER KIT TO ALLOW MULTIPLE LENGTHS TO BE JOINED TO FORM A CONTINUOUS RUN.		

## OTHER DATA



# 48W 1200MM PROLINE LINEAR PENDANT & EXTENSION



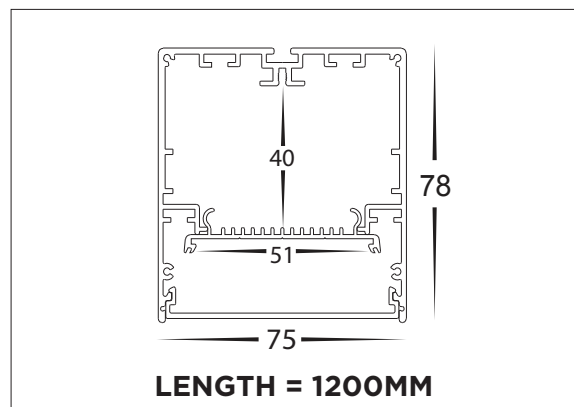
## PRODUCT DATA

1200MM PENDANT OR EXTENSION	
MATERIAL	ALUMINIUM
COLOUR/FINISH	MATT BLACK
COLOUR TEMP.	3000K   4000K   5500K (TRI COLOUR)
LUMEN OUTPUT	4500LM   4600LM   4700LM
INPUT VOLTAGE	240V AC
BUILT-IN LED	48W
DIMMING	TRIAC, 0-1/10V, DALI
CRI	RA >80
BEAM ANGLE	120°
IP RATING	IP20

## PRODUCT ORDERING

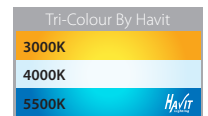
ALUMINIUM BLACK PENDANT				
	<b>HCP-692482</b> (Triac + 0-1/10v Dimmable)	48W LED	3000K	4500LM
	<b>HCP-692484</b> (DALI Dimmable)		4000K	4600LM
			5500K	4700LM
ALUMINIUM BLACK EXTENSION (To be used to extend Pendant models)				
	<b>HCP-602482</b> (Triac + 0-1/10v Dimmable)	48W LED	3000K	4500LM
	<b>HCP-602484</b> (DALI Dimmable)		4000K	4600LM
			5500K	4700LM
JOINER				
	<b>HCP-600000-JOINER</b>	JOINER KIT TO ALLOW MULTIPLE LENGTHS TO BE JOINED TO FORM A CONTINUOUS RUN.		

## OTHER DATA








# 48W 1200MM PROLINE LINEAR PENDANT & EXTENSION



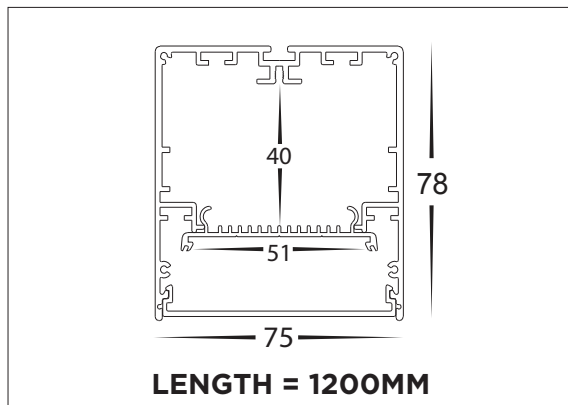
## PRODUCT DATA

1200MM PENDANT OR EXTENSION	
MATERIAL	ALUMINIUM
COLOUR/FINISH	MATT WHITE
COLOUR TEMP.	3000K   4000K   5500K (TRI COLOUR)
LUMEN OUTPUT	4500LM   4600LM   4700LM
INPUT VOLTAGE	240V AC
BUILT-IN LED	48W
DIMMING	TRIAC, 0-1/10V, DALI
CRI	RA >80
BEAM ANGLE	120°
IP RATING	IP20

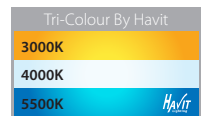
## PRODUCT ORDERING

ALUMINIUM WHITE PENDANT				
	<b>HCP-693482</b> (Triac + 0-1/10v Dimmable)	48W LED	3000K	4500LM
	<b>HCP-693484</b> (DALI Dimmable)		4000K	4600LM
			5500K	4700LM
ALUMINIUM WHITE EXTENSION (To be used to extend Pendant models)				
	<b>HCP-603482</b> (Triac + 0-1/10v Dimmable)	48W LED	3000K	4500LM
	<b>HCP-603484</b> (DALI Dimmable)		4000K	4600LM
			5500K	4700LM
JOINER				
	<b>HCP-600000-JOINER</b>	JOINER KIT TO ALLOW MULTIPLE LENGTHS TO BE JOINED TO FORM A CONTINUOUS RUN.		

## OTHER DATA



# 72W 1800MM PROLINE LINEAR PENDANT & EXTENSION



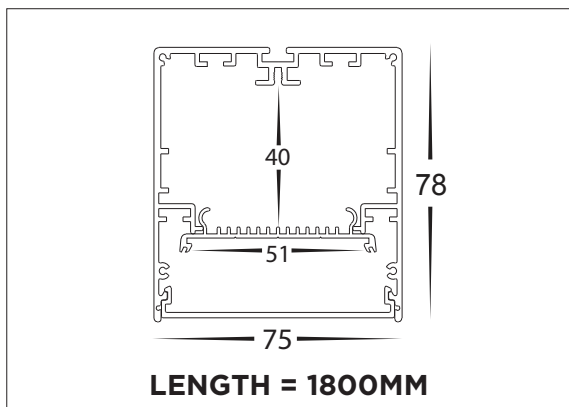
## PRODUCT DATA

1800MM PENDANT OR EXTENSION	
MATERIAL	ALUMINIUM
COLOUR/FINISH	MATT BLACK
COLOUR TEMP.	3000K   4000K   5500K (TRI COLOUR)
LUMEN OUTPUT	6700LM   6800LM   7000LM
INPUT VOLTAGE	240V AC
BUILT-IN LED	72W
DIMMING	TRIAC, 0-1/10V, DALI
CRI	RA >80
BEAM ANGLE	120°
IP RATING	IP20

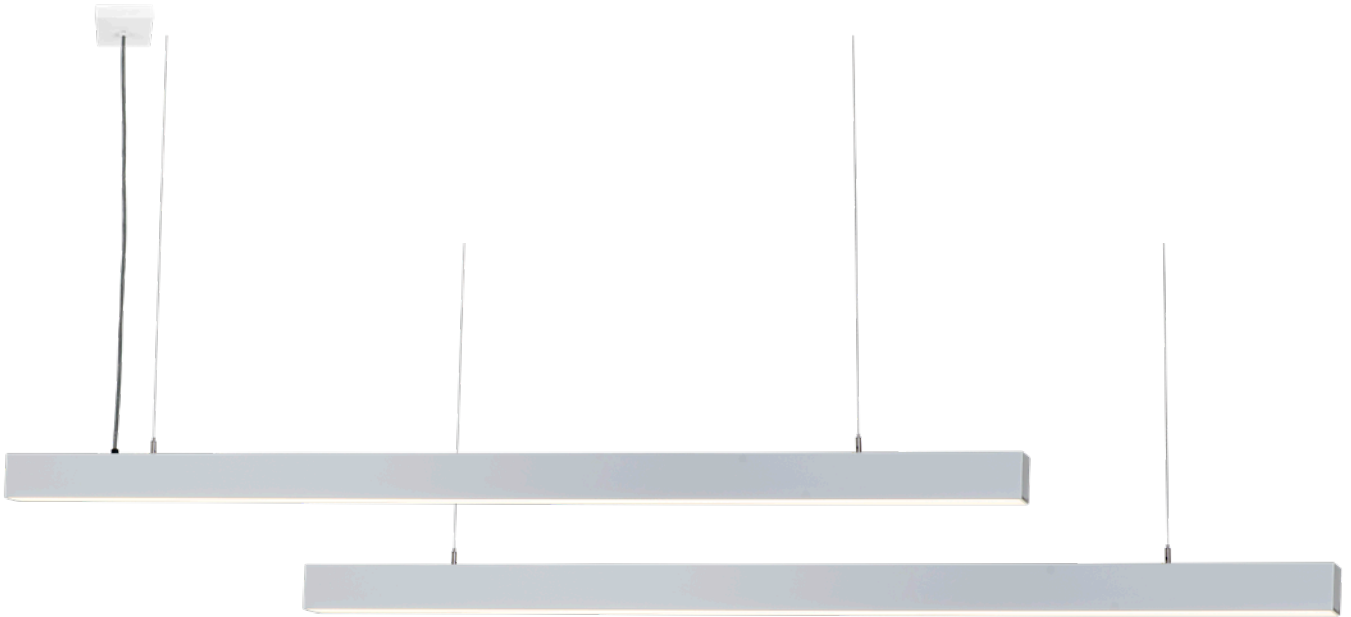
## PRODUCT ORDERING

ALUMINIUM BLACK PENDANT				
	<b>HCP-692722</b> (Triac + 0-1/10v Dimmable)	72W LED	3000K 4000K 5500K	6700LM 6800LM 7000LM
	<b>HCP-692724</b> (DALI Dimmable)			
ALUMINIUM BLACK EXTENSION (To be used to extend Pendant models)				
	<b>HCP-602722</b> (Triac + 0-1/10v Dimmable)	72W LED	3000K 4000K 5500K	6700LM 6800LM 7000LM
	<b>HCP-602724</b> (DALI Dimmable)			
JOINER				
	<b>HCP-600000-JOINER</b>	JOINER KIT TO ALLOW MULTIPLE LENGTHS TO BE JOINED TO FORM A CONTINUOUS RUN.		

## OTHER DATA

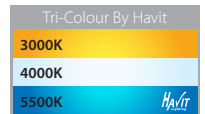


# 72W 1800MM PROLINE LINEAR PENDANT & EXTENSION



17

PROLINE  
PENDANTS



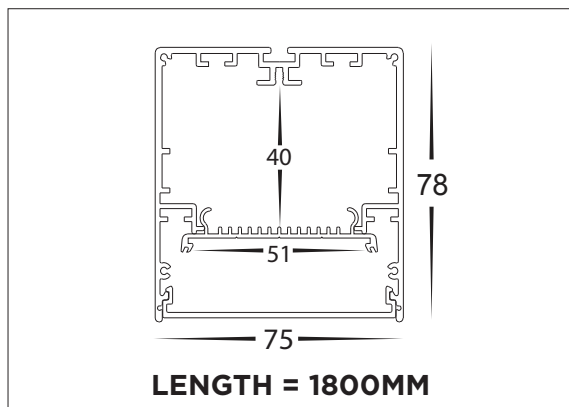
## PRODUCT DATA

1800MM PENDANT OR EXTENSION	
MATERIAL	ALUMINIUM
COLOUR/FINISH	MATT WHITE
COLOUR TEMP.	3000K   4000K   5500K (TRI COLOUR)
LUMEN OUTPUT	6700LM   6800LM   7000LM
INPUT VOLTAGE	240V AC
BUILT-IN LED	72W
DIMMING	TRIAC, 0-1/10V, DALI
CRI	RA >80
BEAM ANGLE	120°
IP RATING	IP20

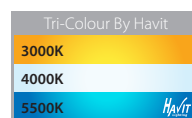
## PRODUCT ORDERING

ALUMINIUM WHITE PENDANT				
	<b>HCP-693722</b> (Triac + 0-1/10v Dimmable)	72W LED	3000K	6700LM
	<b>HCP-693724</b> (DALI Dimmable)		4000K	6800LM
			5500K	7000LM
ALUMINIUM WHITE EXTENSION <i>(To be used to extend Pendant models)</i>				
	<b>HCP-603722</b> (Triac + 0-1/10v Dimmable)	72W LED	3000K	6700LM
	<b>HCP-603724</b> (DALI Dimmable)		4000K	6800LM
			5500K	7000LM
JOINER				
	<b>HCP-600000-JOINER</b>	JOINER KIT TO ALLOW MULTIPLE LENGTHS TO BE JOINED TO FORM A CONTINUOUS RUN.		

## OTHER DATA



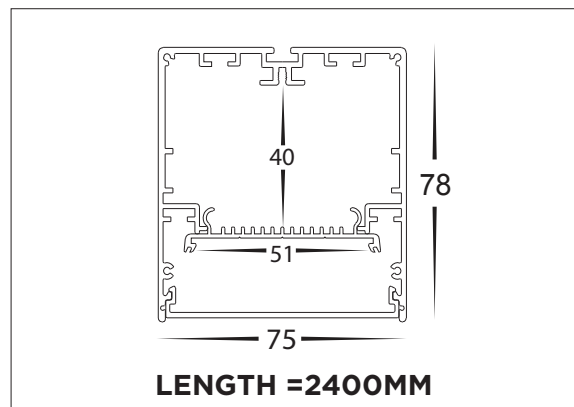
# 96W 2400MM PROLINE LINEAR PENDANT & EXTENSION



## PRODUCT DATA

2400MM PENDANT OR EXTENSION	
MATERIAL	ALUMINIUM
COLOUR/FINISH	MATT BLACK
COLOUR TEMP.	3000K   4000K   5500K (TRI COLOUR)
LUMEN OUTPUT	9000LM   9200LM   9500LM
INPUT VOLTAGE	240V AC
BUILT-IN LED	96W
DIMMING	TRIAC, 0-1/10V, DALI
CRI	RA >80
BEAM ANGLE	120°
IP RATING	IP20

## OTHER DATA



## PRODUCT ORDERING

ALUMINIUM BLACK PENDANT				
	<b>HCP-692962</b> (Triac + 0-1/10v Dimmable)	96W LED	3000K 4000K 5500K	9000LM 9200LM 9500LM
	<b>HCP-692964</b> DALI Dimmable			
ALUMINIUM BLACK EXTENSION (To be used to extend Pendant models)				
	<b>HCP-602962</b> (Triac + 0-1/10v Dimmable)	96W LED	3000K 4000K 5500K	9000LM 9200LM 9500LM
	<b>HCP-602964</b> (DALI Dimmable)			
JOINER				
	<b>HCP-600000-JOINER</b>	JOINER KIT TO ALLOW MULTIPLE LENGTHS TO BE JOINED TO FORM A CONTINUOUS RUN.		

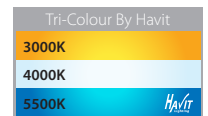


# 96W 2400MM PROLINE LINEAR PENDANT & EXTENSION



17

PROLINE  
PENDANTS



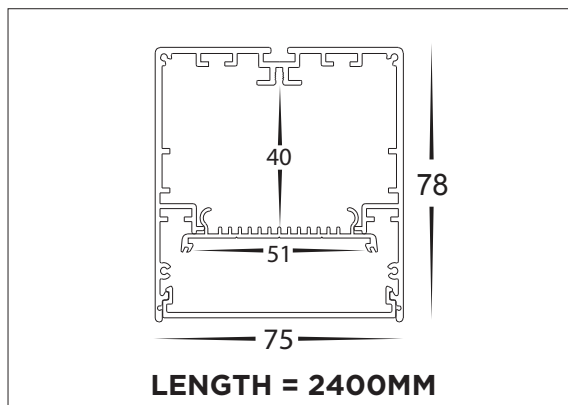
## PRODUCT DATA

2400MM PENDANT OR EXTENSION	
MATERIAL	ALUMINIUM
COLOUR/FINISH	MATT WHITE
COLOUR TEMP.	3000K   4000K   5500K (TRI COLOUR)
LUMEN OUTPUT	9000LM   9200LM   9500LM
INPUT VOLTAGE	240V AC
BUILT-IN LED	96W
DIMMING	TRIAC, 0-1/10V, DALI
CRI	RA >80
BEAM ANGLE	120°
IP RATING	IP20

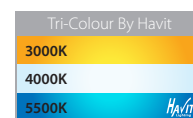
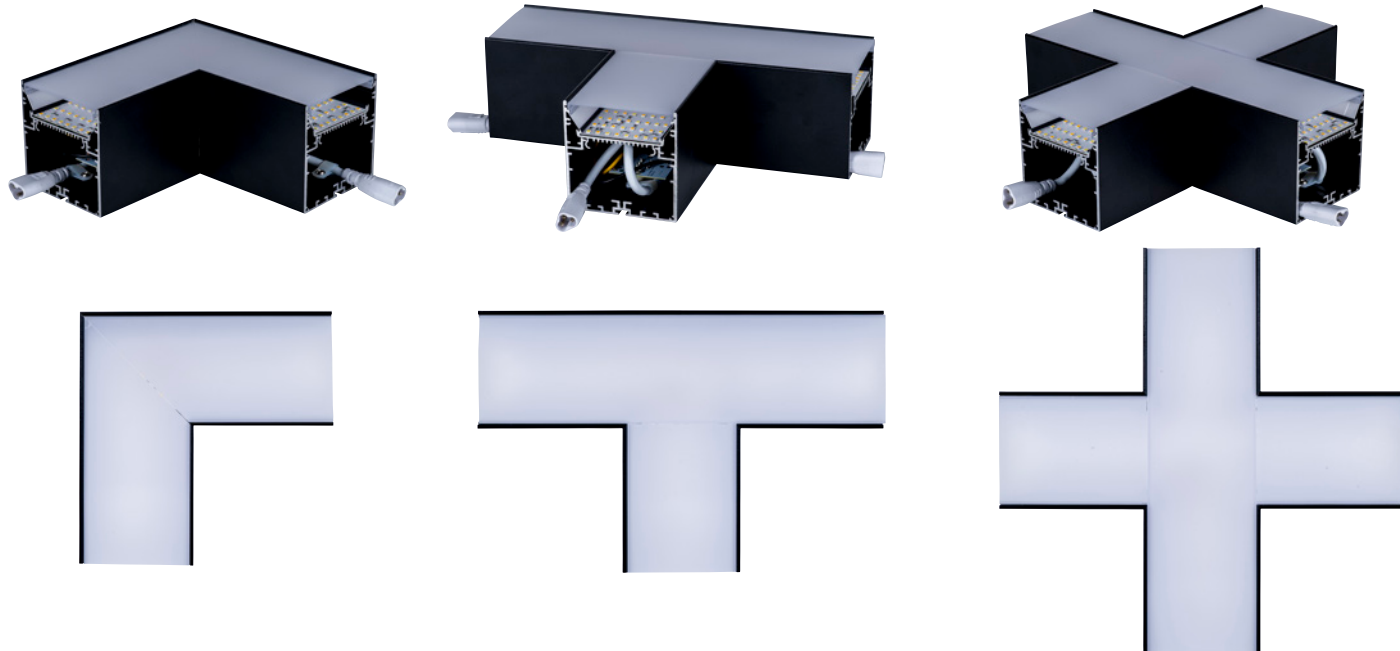
## PRODUCT ORDERING

ALUMINIUM WHITE PENDANT				
	<b>HCP-693962</b> (Triac + 0-1/10v Dimmable)	96W LED	3000K 4000K 5500K	9000LM 9200LM 9500LM
	<b>HCP-693964</b> DALI Dimmable			
ALUMINIUM WHITE EXTENSION (To be used to extend Pendant models)				
	<b>HCP-603962</b> (Triac + 0-1/10v Dimmable)	96W LED	3000K 4000K 5500K	9000LM 9200LM 9500LM
	<b>HCP-603964</b> (DALI Dimmable)			
JOINER				
	<b>HCP-600000-JOINER</b>	JOINER KIT TO ALLOW MULTIPLE LENGTHS TO BE JOINED TO FORM A CONTINUOUS RUN.		

## OTHER DATA






# PROLINE PENDANT CONNECTOR



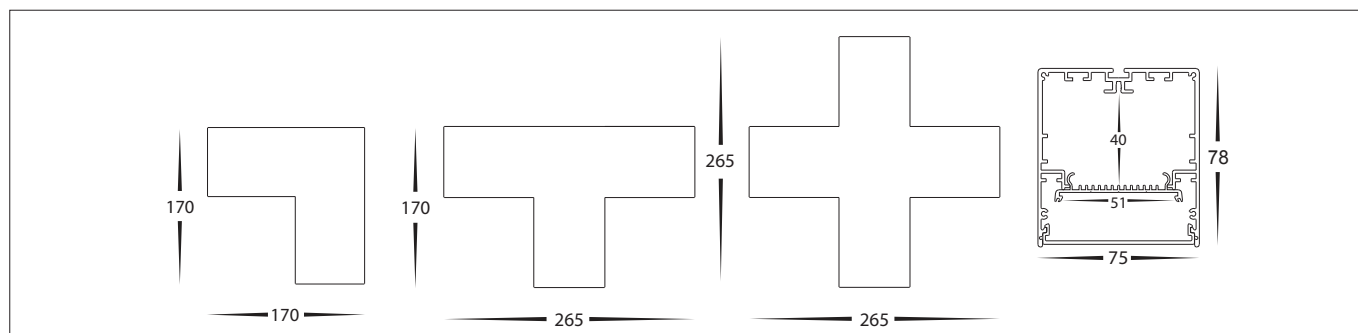
## PRODUCT DATA

L + T + X SHAPE CONNECTORS	
MATERIAL	ALUMINIUM
COLOUR/FINISH	MATT BLACK
COLOUR TEMP.	3000K   4000K   5500K (TRI COLOUR)
LUMEN OUTPUT	L SHAPE = 1080LM   1120LM   1200LM T SHAPE = 1300LM   1400LM   1500LM X SHAPE = 1800LM   1900LM   2000LM
INPUT VOLTAGE	240V AC
BUILT-IN LED	L SHAPE = 12W T SHAPE = 15W X SHAPE = 20W
DIMMING	TRIAC, 0-1/10V, DALI
CRI	RA > 80
BEAM ANGLE	120°
IP RATING	IP20

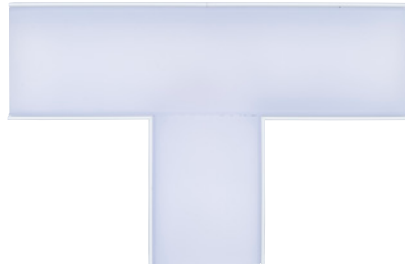
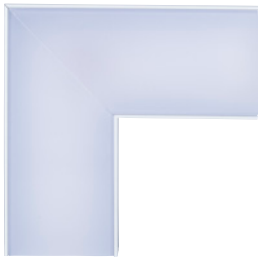
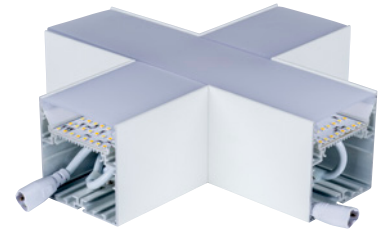
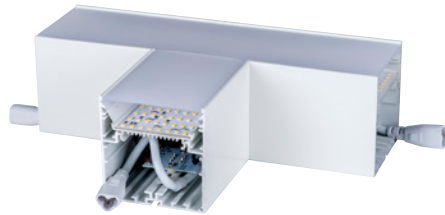
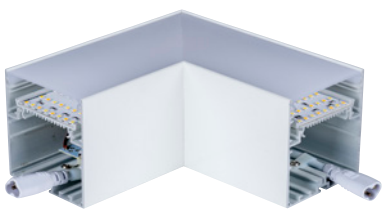
## PRODUCT ORDERING

L-SHAPE				
	<b>HCP-602002-L</b> (Triac + 0-1/10v Dimmable)	12W LED	3000K 4000K 5500K	1080LM 1120LM 1200LM
	<b>HCP-602004-L</b> (DALI Dimmable)			
T-SHAPE				
	<b>HCP-602002-T</b> (Triac + 0-1/10v Dimmable)	15W LED	3000K 4000K 5500K	1300LM 1400LM 1500LM
	<b>HCP-602004-T</b> (DALI Dimmable)			
X-SHAPE				
	<b>HCP-602002-X</b> (Triac + 0-1/10v Dimmable)	20W LED	3000K 4000K 5500K	1800LM 1900LM 2000LM
	<b>HCP-602004-X</b> (DALI Dimmable)			

## OTHER DATA



# PROLINE PENDANT CONNECTOR



17

PROLINE  
PENDANTS

Tri-Colour By Havit	
3000K	
4000K	
5500K	

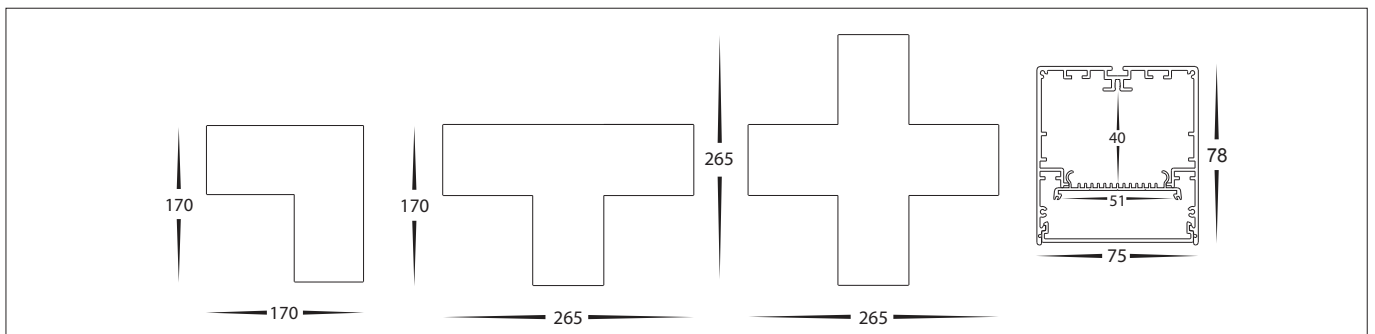
## PRODUCT ORDERING

### PRODUCT DATA

L + T + X SHAPE CONNECTORS	
MATERIAL	ALUMINIUM
COLOUR/FINISH	MATT WHITE
COLOUR TEMP.	3000K   4000K   5500K (TRI COLOUR)
LUMEN OUTPUT	L SHAPE = 1080LM   1120LM   1200LM T SHAPE = 1300LM   1400LM   1500LM X SHAPE = 1800LM   1900LM   2000LM
INPUT VOLTAGE	240V AC
BUILT-IN LED	L SHAPE = 12W T SHAPE = 15W X SHAPE = 20W
DIMMING	TRIAC, 0-1/10V, DALI
CRI	RA > 80
BEAM ANGLE	120°
IP RATING	IP20

L-SHAPE				
	<b>HCP-603002-L</b> (Triac + 0-1/10v Dimmable)	12W LED	3000K	1080LM
	<b>HCP-603004-L</b> (DALI Dimmable)		4000K	1120LM
			5500K	1200LM
T-SHAPE				
	<b>HCP-603002-T</b> (Triac + 0-1/10v Dimmable)	15W LED	3000K	1300LM
	<b>HCP-603004-T</b> (DALI Dimmable)		4000K	1400LM
			5500K	1500LM
X-SHAPE				
	<b>HCP-603002-X</b> (Triac + 0-1/10v Dimmable)	20W LED	3000K	1800LM
	<b>HCP-603004-X</b> (DALI Dimmable)		4000K	1900LM
			5500K	2000LM

### OTHER DATA



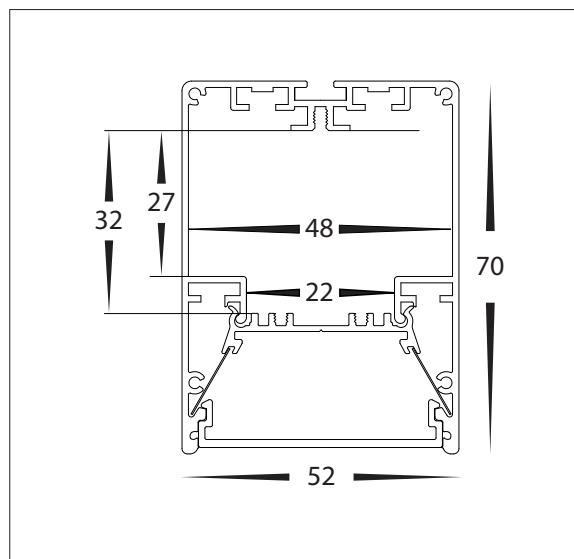
# CUSTOM LENGTH PENDANT OR EXTENSIONS



## PRODUCT DATA

PENDANT OR EXTENSIONS	
MATERIAL	ALUMINIUM
COLOUR/FINISH	MATT BLACK
COLOUR TEMP.	3000K   4000K   5000K
LUMEN OUTPUT	2300LM   2400LM   2500LM
INPUT VOLTAGE	240V AC
BUILT-IN LED	30W PER METRE
DIMMING	TRIAC, 0-1/10V, DALI
CRI	RA > 90
BEAM ANGLE	120°
IP RATING	IP20

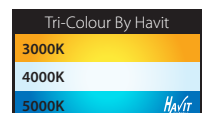
## OTHER DATA



## PRODUCT ORDERING

PENDANTS (SUPPLIED WITH 2X SUSPENSION KITS PER METRE)				
	<b>HCP-69252702</b> (TRIAC + 0-1/10V DIMMABLE)	30W LED PER METRE	3000K 4000K 5000K	2300LM 2400LM 2500LM
	<b>HCP-69252704</b> (DALI DIMMABLE)	30W LED PER METRE	3000K 4000K 5000K	2300LM 2400LM 2500LM
EXTENSIONS				
	<b>HCP-60252702</b> (TRIAC + 0-1/10V DIMMABLE)	30W LED PER METRE	3000K 4000K 5000K	2300LM 2400LM 2500LM
	<b>HCP-60252704</b> (DALI DIMMABLE)	30W LED PER METRE	3000K 4000K 5000K	2300LM 2400LM 2500LM
OPTIONAL ACCESSORIES				
	<b>HCP-4805270-JOINER</b>	STRAIGHT JOINER		
	<b>HCP-4506070-SM</b>	SURFACE MOUNT CLIP		
	<b>HCP-4685270-LD:</b> Long run diffuser available			
		<b>HCP-4685270-BLK:</b> Black diffuser available		

**CUSTOM LENGTHS AVAILABLE UP TO 3000MM**  
CONTACT [SALES@HAVITCOMMERCIAL.COM.AU](mailto:SALES@HAVITCOMMERCIAL.COM.AU)  
FOR MORE INFORMATION





# CUSTOM LENGTH PENDANT OR EXTENSIONS



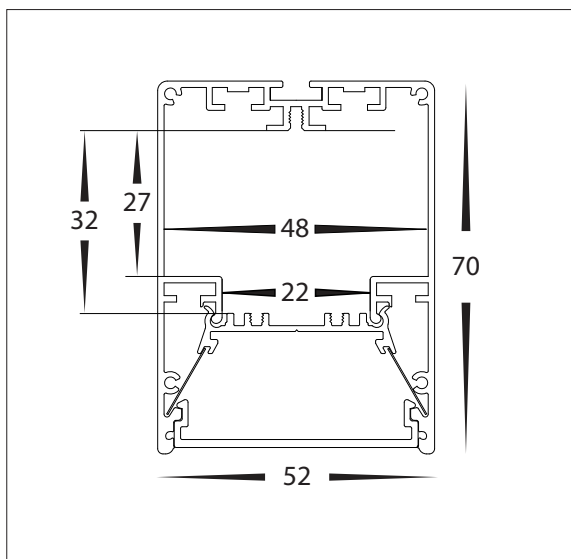
17

PROLINE  
PENDANTS

## PRODUCT DATA

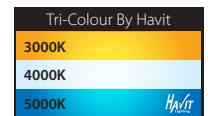
PENDANT OR EXTENSIONS	
MATERIAL	ALUMINIUM
COLOUR/FINISH	MATT WHITE
COLOUR TEMP.	3000K   4000K   5000K
LUMEN OUTPUT	2300LM   2400LM   2500LM
INPUT VOLTAGE	240V AC
BUILT-IN LED	30W PER METRE
DIMMING	TRIAC, 0-1/10V, DALI
CRI	RA > 90
BEAM ANGLE	120°
IP RATING	IP20

## OTHER DATA



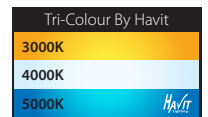
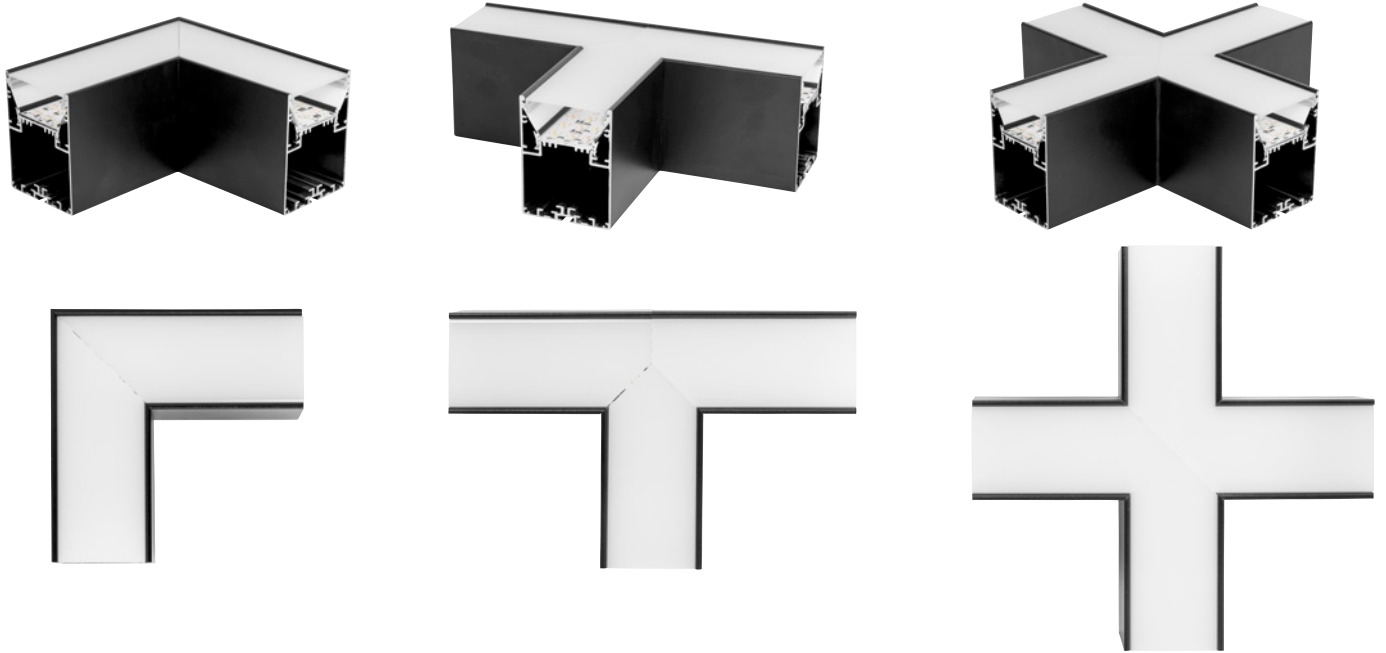
## PRODUCT ORDERING

PENDANTS (SUPPLIED WITH 2X SUSPENSION KITS PER METRE)				
	<b>HCP-69352702</b> (TRIAC + 0-1/10V DIMMABLE)	30W LED PER METRE	3000K 4000K 5000K	2300LM 2400LM 2500LM
	<b>HCP-69352704</b> (DALI DIMMABLE)	30W LED PER METRE	3000K 4000K 5000K	2300LM 2400LM 2500LM
EXTENSIONS				
	<b>HCP-60352702</b> (TRIAC + 0-1/10V DIMMABLE)	30W LED PER METRE	3000K 4000K 5000K	2300LM 2400LM 2500LM
	<b>HCP-60352704</b> (DALI DIMMABLE)	30W LED PER METRE	3000K 4000K 5000K	2300LM 2400LM 2500LM
OPTIONAL ACCESSORIES				
	<b>HCP-4805270-JOINER</b>	STRAIGHT JOINER		
	<b>HCP-4506070-SM</b>	SURFACE MOUNT CLIP		



**CUSTOM LENGTHS AVAILABLE UP TO 3000MM**  
CONTACT [SALES@HAVITCOMMERCIAL.COM.AU](mailto:SALES@HAVITCOMMERCIAL.COM.AU)  
FOR MORE INFORMATION




# L + T + X SHAPE CONNECTORS



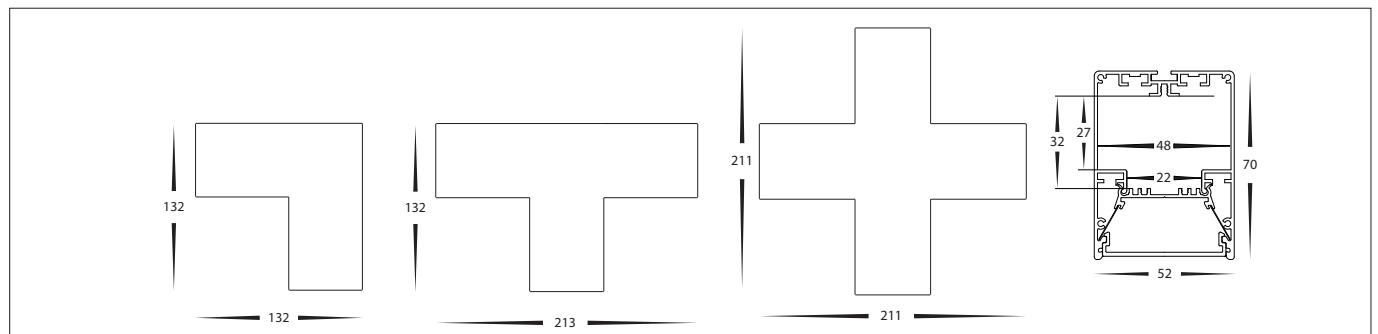
## PRODUCT DATA

L + T + X SHAPE CONNECTORS	
MATERIAL	ALUMINIUM
COLOUR/FINISH	MATT BLACK
COLOUR TEMP.	3000K   4000K   5000K
LUMEN OUTPUT	L SHAPE = 600LM   610LM   620LM T SHAPE = 750LM   760LM   770LM X SHAPE = 940LM   950LM   960LM
INPUT VOLTAGE	24V DC
BUILT-IN LED	L SHAPE = 7W T SHAPE = 9W X SHAPE = 11W
DIMMING	TRIAC, 0-1/10V, DALI
CRI	RA > 90
BEAM ANGLE	120°
IP RATING	IP20

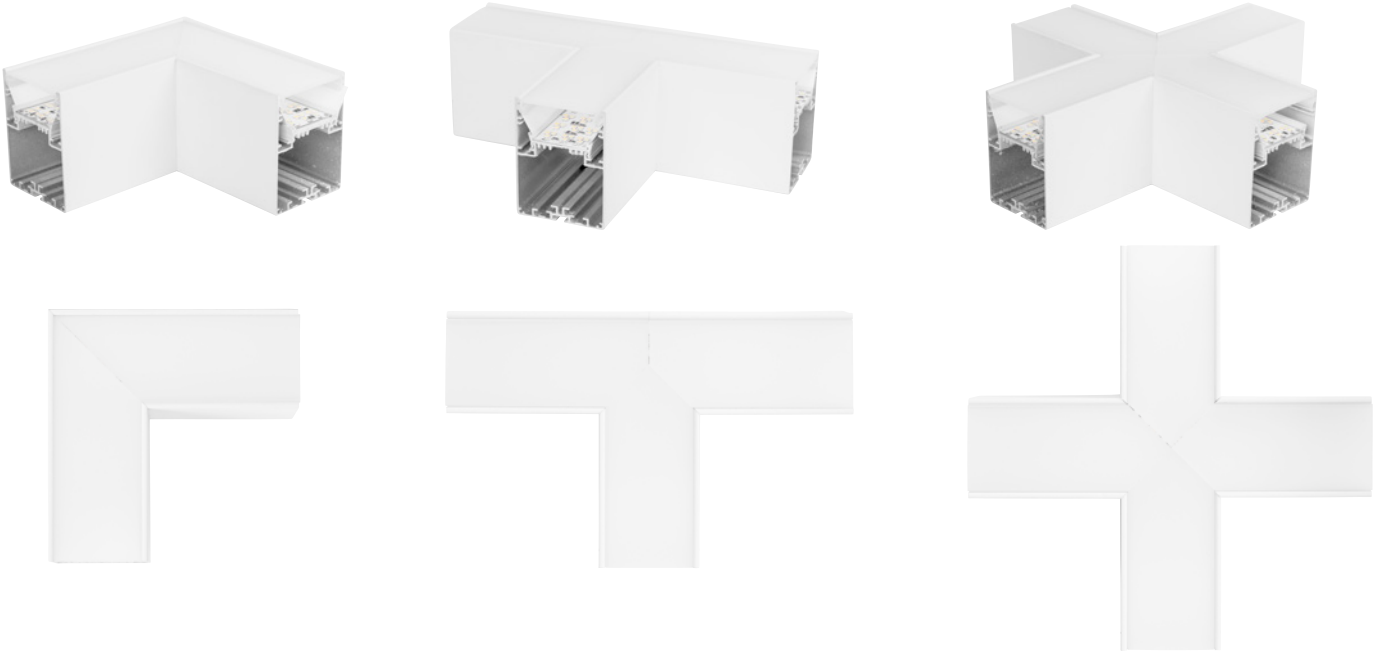
## PRODUCT ORDERING

L-SHAPE				
	<b>HCP-6025270-L</b>	7W LED	3000K 4000K 5000K	600LM 610LM 620LM
T-SHAPE				
	<b>HCP-6025270-T</b>	9W LED	3000K 4000K 5000K	750LM 760LM 770LM
X-SHAPE				
	<b>HCP-6025270-X</b>	11W LED	3000K 4000K 5000K	940LM 950LM 960LM

## OTHER DATA



# L + T + X SHAPE CONNECTORS



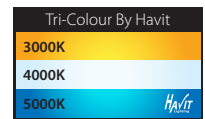
17

PROLINE  
PENDANTS

## PRODUCT DATA

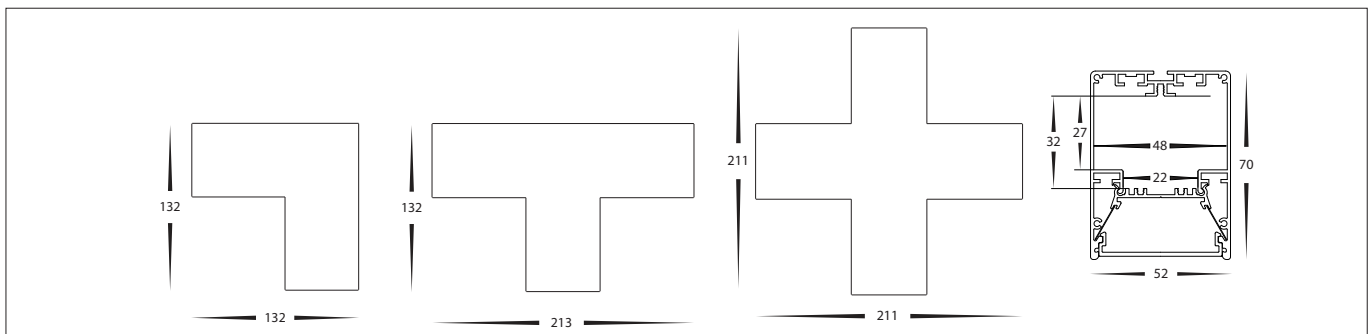
L + T + X SHAPE CONNECTORS	
MATERIAL	ALUMINIUM
COLOUR/FINISH	MATT WHITE
COLOUR TEMP.	3000K   4000K   5000K
LUMEN OUTPUT	L SHAPE = 600LM   610LM   620LM T SHAPE = 750LM   760LM   770LM X SHAPE = 940LM   950LM   960LM
INPUT VOLTAGE	24V DC
BUILT-IN LED	L SHAPE = 7W T SHAPE = 9W X SHAPE = 11W
DIMMING	TRIAC, 0-1/10V, DALI
CRI	RA > 90
BEAM ANGLE	120°
IP RATING	IP20

## PRODUCT ORDERING

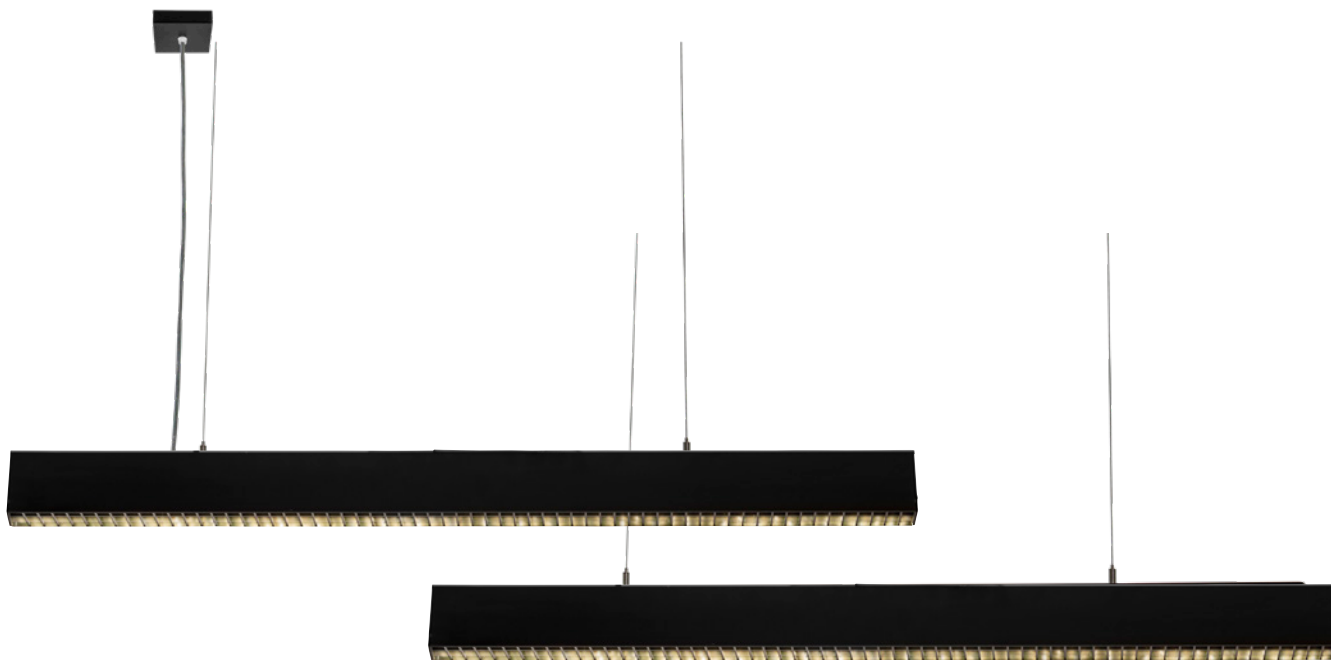


L-SHAPE				
	<b>HCP-6035270-L</b>	7W LED	3000K 4000K 5000K	600LM 610LM 620LM
T-SHAPE				
	<b>HCP-6035270-T</b>	9W LED	3000K 4000K 5000K	750LM 760LM 770LM
X-SHAPE				
	<b>HCP-6035270-X</b>	11W LED	3000K 4000K 5000K	940LM 950LM 960LM

## OTHER DATA



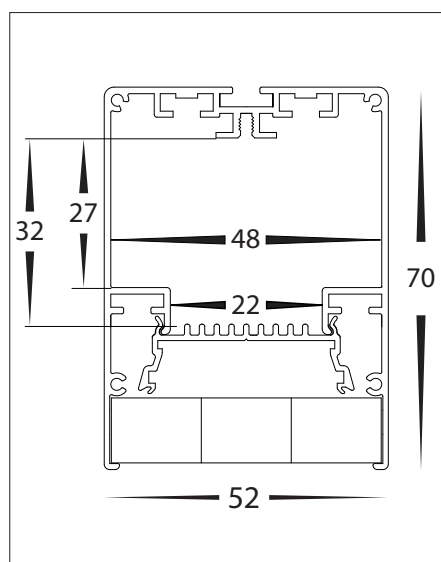
# CUSTOM LENGTH PENDANT OR EXTENSIONS



## PRODUCT DATA

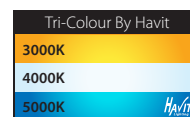
PENDANT OR EXTENSIONS	
MATERIAL	ALUMINIUM
COLOUR/FINISH	MATT BLACK
COLOUR TEMP.	3000K   4000K   5000K
LUMEN OUTPUT	2300LM   2400LM   2500LM
INPUT VOLTAGE	240V AC
BUILT-IN LED	30W PER METRE
DIMMING	TRIAC, 0-1/10V, DALI
CRI	RA > 90
BEAM ANGLE	120°
IP RATING	IP20

## OTHER DATA



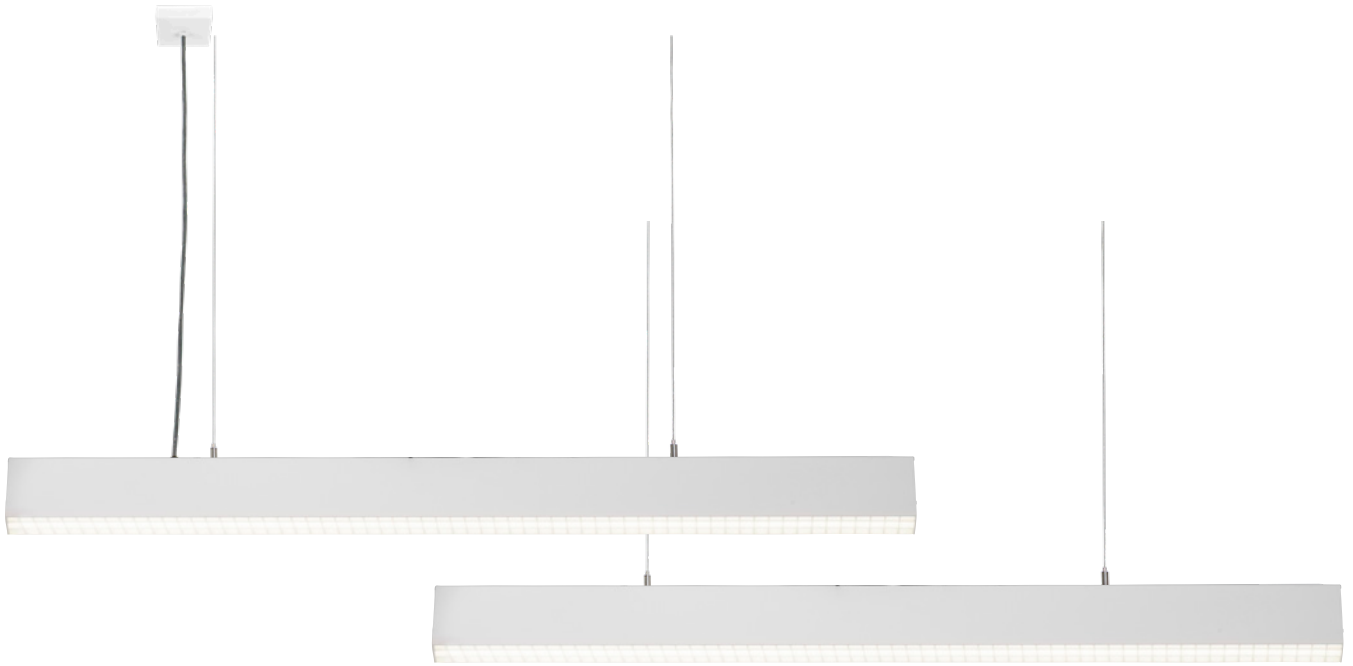
## PRODUCT ORDERING

PENDANTS (SUPPLIED WITH 2X SUSPENSION KITS PER METRE)				
	<b>HCP-69252712</b> (TRIAC + 0-1/10V DIMMABLE)	30W LED PER METRE	3000K 4000K 5000K	2300LM 2400LM 2500LM
	<b>HCP-69252714</b> (DALI DIMMABLE)	30W LED PER METRE	3000K 4000K 5000K	2300LM 2400LM 2500LM
EXTENSIONS				
	<b>HCP-60252712</b> (TRIAC + 0-1/10V DIMMABLE)	30W LED PER METRE	3000K 4000K 5000K	2300LM 2400LM 2500LM
	<b>HCP-60252714</b> (DALI DIMMABLE)	30W LED PER METRE	3000K 4000K 5000K	2300LM 2400LM 2500LM
JOINERS + LONG DIFFUSERS				
	<b>HCP-4805270-JOINER</b>	STRAIGHT JOINER		
	<b>HCP-4506070-SM</b>	SURFACE MOUNT CLIP		



CUSTOM LENGTHS AVAILABLE UP TO 3000MM  
CONTACT [SALES@HAVITCOMMERCIAL.COM.AU](mailto:SALES@HAVITCOMMERCIAL.COM.AU)  
FOR MORE INFORMATION

# CUSTOM LENGTH PENDANT OR EXTENSIONS



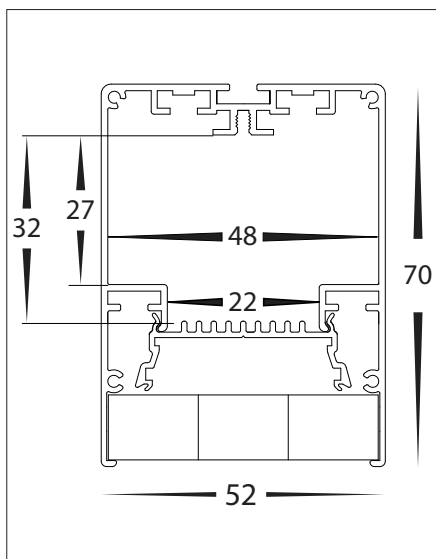
17

PROLINE  
PENDANTS

## PRODUCT DATA

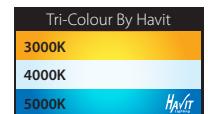
PENDANT OR EXTENSIONS	
MATERIAL	ALUMINIUM
COLOUR/FINISH	MATT WHITE
COLOUR TEMP.	3000K   4000K   5000K
LUMEN OUTPUT	2300LM   2400LM   2500LM
INPUT VOLTAGE	240V AC
BUILT-IN LED	30W PER METRE
DIMMING	TRIAC, 0-1/10V, DALI
CRI	RA > 90
BEAM ANGLE	120°
IP RATING	IP20

## OTHER DATA



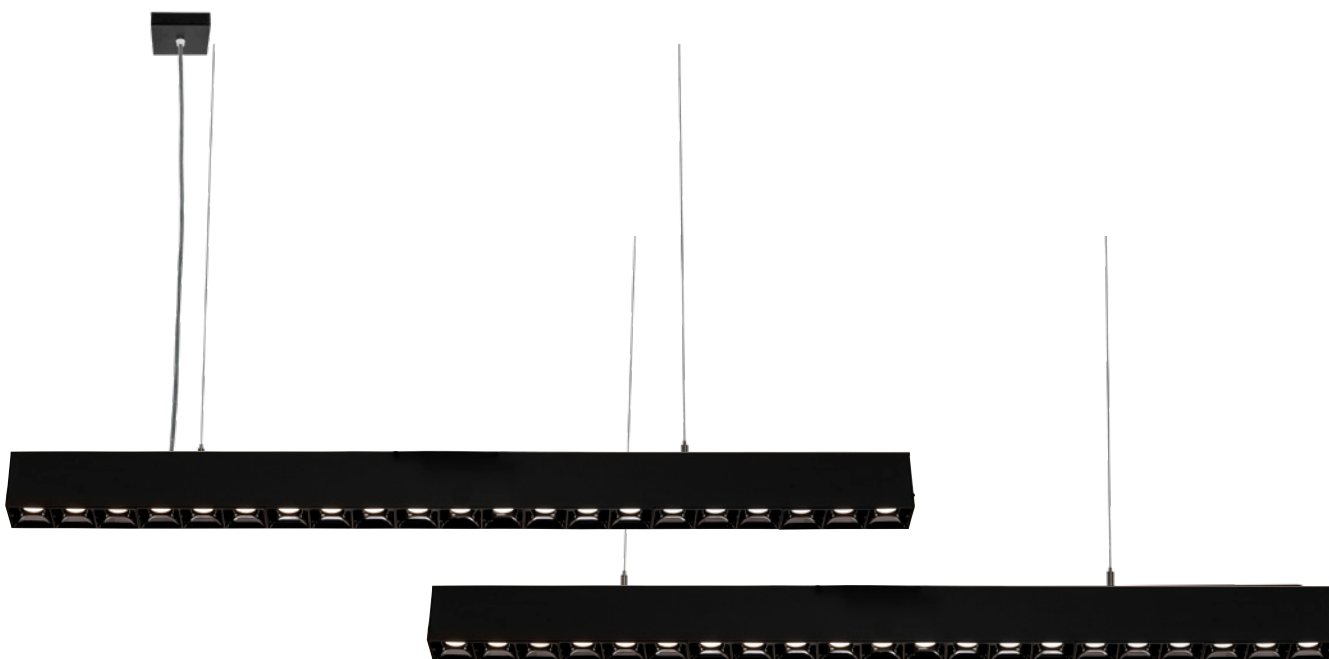
## PRODUCT ORDERING

PENDANTS (SUPPLIED WITH 2X SUSPENSION KITS PER METRE)				
	<b>HCP-69352712</b> (TRIAC + 0-1/10V DIMMABLE)	30W LED PER METRE	3000K 4000K 5000K	2300LM 2400LM 2500LM
	<b>HCP-69352714</b> (DALI DIMMABLE)	30W LED PER METRE	3000K 4000K 5000K	2300LM 2400LM 2500LM
EXTENSIONS				
	<b>HCP-60352712</b> (TRIAC + 0-1/10V DIMMABLE)	30W LED PER METRE	3000K 4000K 5000K	2300LM 2400LM 2500LM
	<b>HCP-60352714</b> (DALI DIMMABLE)	30W LED PER METRE	3000K 4000K 5000K	2300LM 2400LM 2500LM
JOINERS + LONG DIFFUSERS				
	<b>HCP-4805270-JOINER</b>	STRAIGHT JOINER		
	<b>HCP-4506070-SM</b>	SURFACE MOUNT CLIP		



CUSTOM LENGTHS AVAILABLE UP TO 3000MM  
CONTACT SALES@HAVITCOMMERCIAL.COM.AU  
FOR MORE INFORMATION

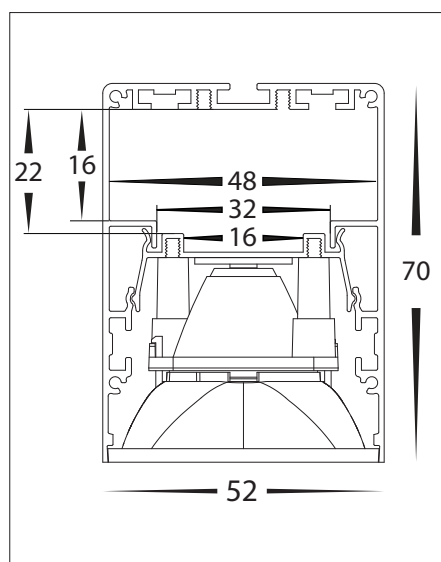
# CUSTOM LENGTH PENDANT OR EXTENSIONS







## PRODUCT DATA

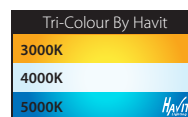
PENDANT OR EXTENSIONS	
MATERIAL	ALUMINIUM
COLOUR/FINISH	MATT BLACK
COLOUR TEMP.	3000K   4000K   5000K
LUMEN OUTPUT	900LM   920LM   930LM
INPUT VOLTAGE	240V AC
BUILT-IN LED	10W PER METRE
DIMMING	TRIAC, 0-1/10V, DALI
CRI	RA > 90
BEAM ANGLE	120°
IP RATING	IP20

## OTHER DATA



## PRODUCT ORDERING

PENDANTS (SUPPLIED WITH 2X SUSPENSION KITS PER METRE)				
	<b>HCP-69252722</b> (TRIAC + 0-1/10V DIMMABLE)	10W LED PER METRE	3000K 4000K 5000K	900LM 920LM 930LM
	<b>HCP-69252724</b> (DALI DIMMABLE)	10W LED PER METRE	3000K 4000K 5000K	900LM 920LM 930LM
EXTENSIONS				
	<b>HCP-60252722</b> (TRIAC + 0-1/10V DIMMABLE)	10W LED PER METRE	3000K 4000K 5000K	900LM 920LM 930LM
	<b>HCP-60252724</b> (DALI DIMMABLE)	10W LED PER METRE	3000K 4000K 5000K	900LM 920LM 930LM
JOINERS				
	<b>HCP-4805270-JOINER</b>	STRAIGHT JOINER		
	<b>HCP-4506070-SM</b>	SURFACE MOUNT CLIP		



CUSTOM LENGTHS AVAILABLE UP TO 2840MM  
CONTACT SALES@HAVITCOMMERCIAL.COM.AU  
FOR MORE INFORMATION

# CUSTOM LENGTH PENDANT OR EXTENSIONS



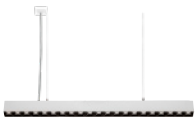



17

PROLINE  
PENDANTS

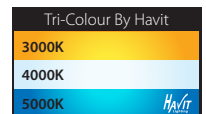
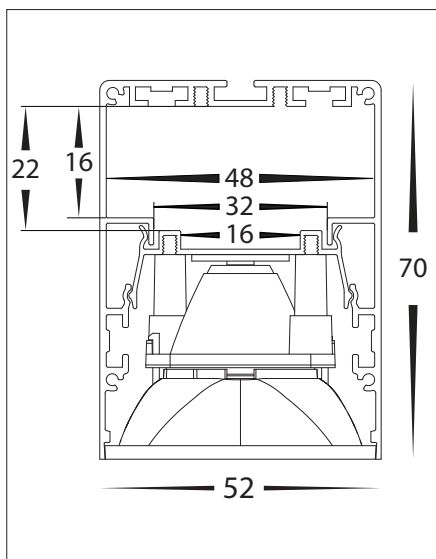
## PRODUCT DATA

PENDANT OR EXTENSIONS	
MATERIAL	ALUMINIUM
COLOUR/FINISH	MATT WHITE
COLOUR TEMP.	3000K   4000K   5000K
LUMEN OUTPUT	900LM   920LM   930LM
INPUT VOLTAGE	240V AC
BUILT-IN LED	10W PER METRE
DIMMING	TRIAC, 0-1/10V, DALI
CRI	RA > 90
BEAM ANGLE	120°
IP RATING	IP20

## PRODUCT ORDERING

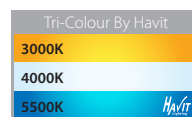
PENDANTS (SUPPLIED WITH 2X SUSPENSION KITS PER METRE)				
	<b>HCP-69352722</b> (TRIAC + 0-1/10V DIMMABLE)	10W LED PER METRE	3000K 4000K 5000K	900LM 920LM 930LM
	<b>HCP-69352724</b> (DALI DIMMABLE)	10W LED PER METRE	3000K 4000K 5000K	900LM 920LM 930LM
EXTENSIONS				
	<b>HCP-60352722</b> (TRIAC + 0-1/10V DIMMABLE)	10W LED PER METRE	3000K 4000K 5000K	900LM 920LM 930LM
	<b>HCP-60352724</b> (DALI DIMMABLE)	10W LED PER METRE	3000K 4000K 5000K	900LM 920LM 930LM
JOINERS				
	<b>HCP-4805270-JOINER</b>	STRAIGHT JOINER		
	<b>HCP-4506070-SM</b>	SURFACE MOUNT CLIP		

## OTHER DATA



CUSTOM LENGTHS AVAILABLE UP TO 2840MM  
CONTACT SALES@HAVITCOMMERCIAL.COM.AU  
FOR MORE INFORMATION

# PROLINE CIRCA PENDANTS



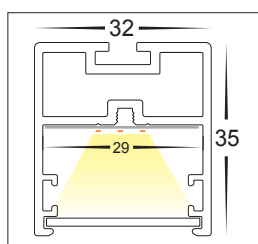
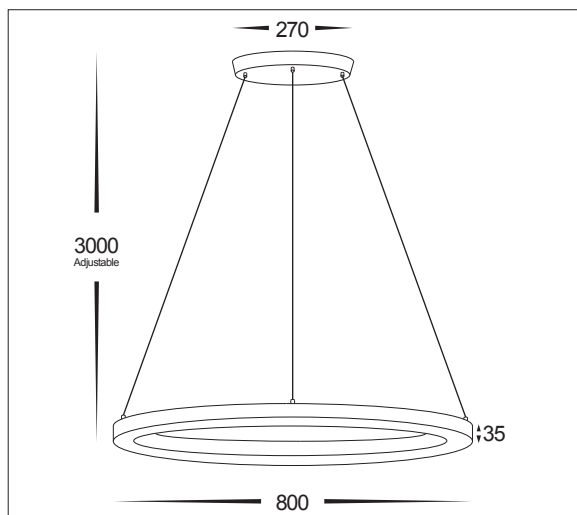
## PRODUCT DATA

PROLINE CIRCA PENDANTS	
MATERIAL	ALUMINIUM
COLOUR/FINISH	MATT BLACK OR WHITE
COLOUR TEMP.	3000K   4000K   5500K (TRI-COLOUR)
LUMEN OUTPUT	1780LM   1900LM   2000LM
INPUT VOLTAGE	240V AC
BUILT-IN LED	40W
DIMMING	TRIAC, 0-1/10V, DALI
CRI	RA >80
BEAM ANGLE	120°
IP RATING	IP20

## PRODUCT ORDERING

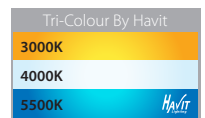
ALUMINIUM BLACK				
	<b>HCP-642130</b> (TRIAC Dimmable)	40W LED	3000K 4000K 5500K	1780LM 1900LM 2000LM
	<b>HCP-642133</b> (0-1/10V Dimmable)	40W LED	3000K 4000K 5500K	1780LM 1900LM 2000LM
	<b>HCP-642134</b> (DALI Dimmable)	40W LED	3000K 4000K 5500K	1780LM 1900LM 2000LM
ALUMINIUM WHITE				
	<b>HCP-643130</b> (TRIAC Dimmable)	40W LED	3000K 4000K 5500K	1780LM 1900LM 2000LM
	<b>HCP-643133</b> (0-1/10V Dimmable)	40W LED	3000K 4000K 5500K	1780LM 1900LM 2000LM
	<b>HCP-643134</b> (DALI Dimmable)	40W LED	3000K 4000K 5500K	1780LM 1900LM 2000LM

## OTHER DATA



Custom sizes available. Contact Havit Commercial for more information.





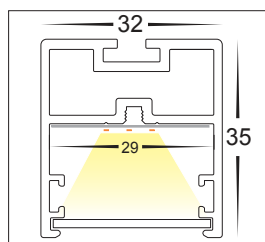
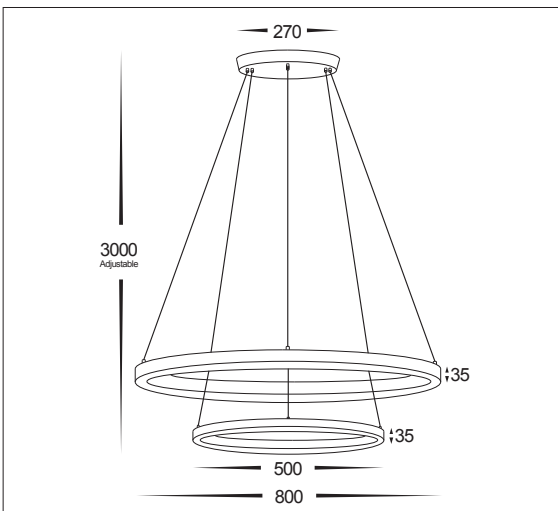
## PRODUCT DATA

PROLINE CIRCA PENDANTS	
MATERIAL	ALUMINIUM
COLOUR/FINISH	MATT BLACK OR WHITE
COLOUR TEMP.	3000K   4000K   5500K (TRI-COLOUR)
LUMEN OUTPUT	2977LM   3100LM   3200LM
INPUT VOLTAGE	240V AC
BUILT-IN LED	65W
DIMMING	TRIAC, 0-1/10V, DALI
CRI	RA >80
BEAM ANGLE	120°
IP RATING	IP20

## PRODUCT ORDERING

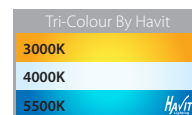
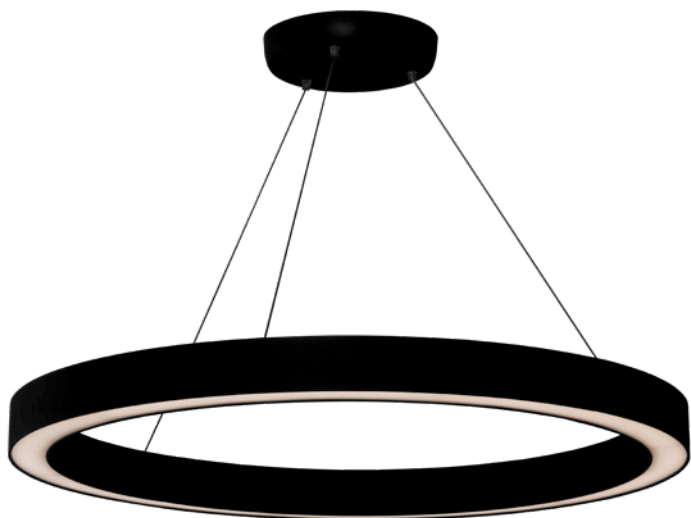
ALUMINIUM BLACK				
	<b>HCP-652130</b> (TRIAC Dimmable)	65W LED	3000K 4000K 5500K	2977LM 3100LM 3200LM
	<b>HCP-652133</b> (0-1/10V Dimmable)	65W LED	3000K 4000K 5500K	2977LM 3100LM 3200LM
	<b>HCP-652134</b> (DALI Dimmable)	65W LED	3000K 4000K 5500K	2977LM 3100LM 3200LM
ALUMINIUM WHITE				
	<b>HCP-653130</b> (TRIAC Dimmable)	65W LED	3000K 4000K 5500K	2977LM 3100LM 3200LM
	<b>HCP-653133</b> (0-1/10V Dimmable)	65W LED	3000K 4000K 5500K	2977LM 3100LM 3200LM
	<b>HCP-653134</b> (DALI Dimmable)	65W LED	3000K 4000K 5500K	2977LM 3100LM 3200LM

## OTHER DATA



Custom sizes available. Contact Havit Commercial for more information.

# PROLINE CIRCA PENDANTS



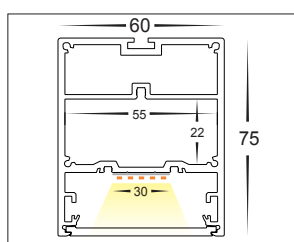
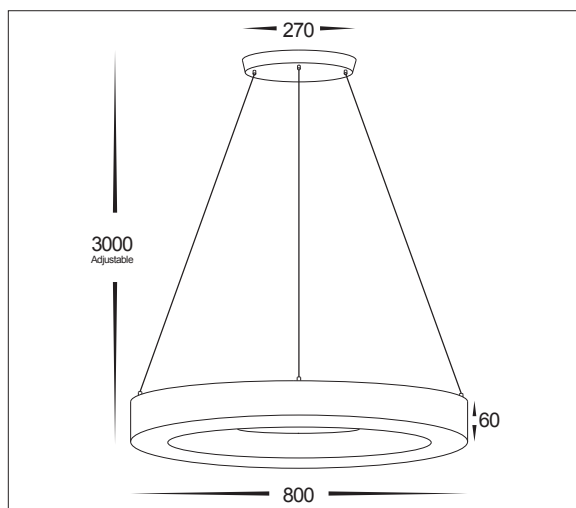
## PRODUCT DATA

PROLINE CIRCA PENDANTS	
MATERIAL	ALUMINIUM
COLOUR/FINISH	MATT BLACK OR WHITE
COLOUR TEMP.	3000K   4000K   5500K (TRI-COLOUR)
LUMEN OUTPUT	4590LM   4670LM   4750LM
INPUT VOLTAGE	240V AC
BUILT-IN LED	65W
DIMMING	TRIAC, 0-1/10V, DALI
CRI	RA >80
BEAM ANGLE	120°
IP RATING	IP20

## PRODUCT ORDERING

ALUMINIUM BLACK				
	<b>HCP-682130</b> (TRIAC Dimmable)	65W LED	3000K 4000K 5500K	4590LM 4670LM 4750LM
	<b>HCP-682133</b> (0-1/10V Dimmable)	65W LED	3000K 4000K 5500K	4590LM 4670LM 4750LM
	<b>HCP-682134</b> (DALI Dimmable)	65W LED	3000K 4000K 5500K	4590LM 4670LM 4750LM
ALUMINIUM WHITE				
	<b>HCP-683130</b> (TRIAC Dimmable)	65W LED	3000K 4000K 5500K	4590LM 4670LM 4750LM
	<b>HCP-683133</b> (0-1/10V Dimmable)	65W LED	3000K 4000K 5500K	4590LM 4670LM 4750LM
	<b>HCP-683134</b> (DALI Dimmable)	65W LED	3000K 4000K 5500K	4590LM 4670LM 4750LM

## OTHER DATA

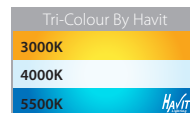
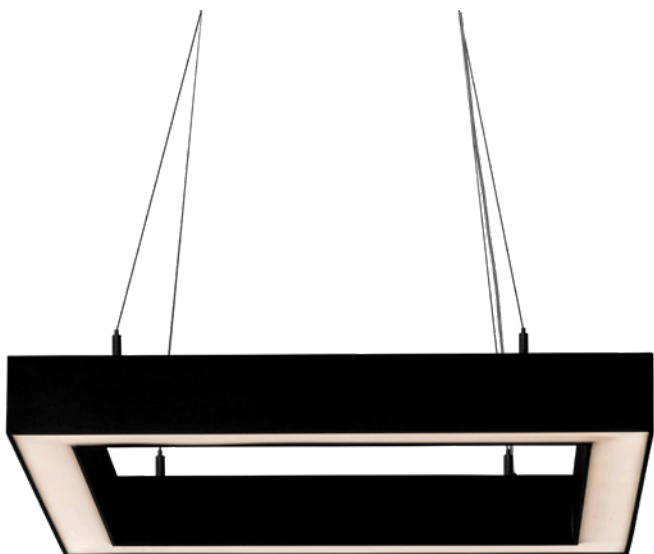


**Custom sizes available. Contact Havit Commercial for more information.**

# PROLINE SQUARE PENDANTS

17

PROLINE  
PENDANTS



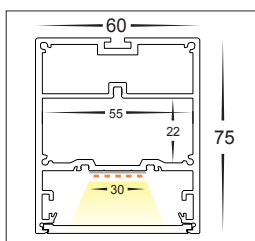
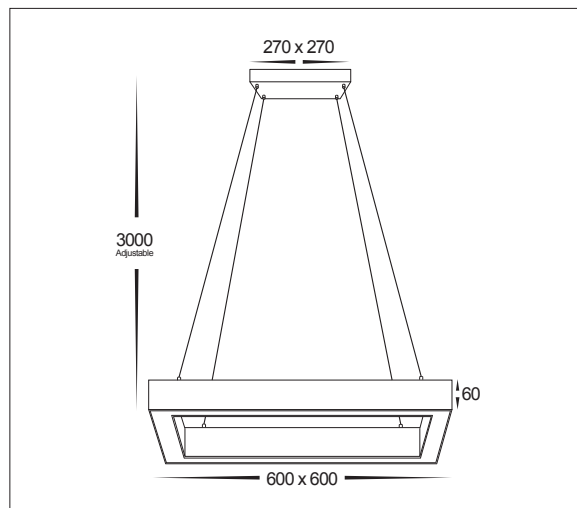
## PRODUCT DATA

PROLINE SQUARE PENDANTS	
MATERIAL	ALUMINIUM
COLOUR/FINISH	MATT BLACK OR WHITE
COLOUR TEMP.	3000K   4000K   5500K (TRI-COLOUR)
LUMEN OUTPUT	5230LM   5350LM   5670LM
INPUT VOLTAGE	240V AC
BUILT-IN LED	65W
DIMMING	TRIAC DIMMABLE
CRI	RA >80
BEAM ANGLE	120°
IP RATING	IP20

## PRODUCT ORDERING

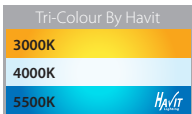
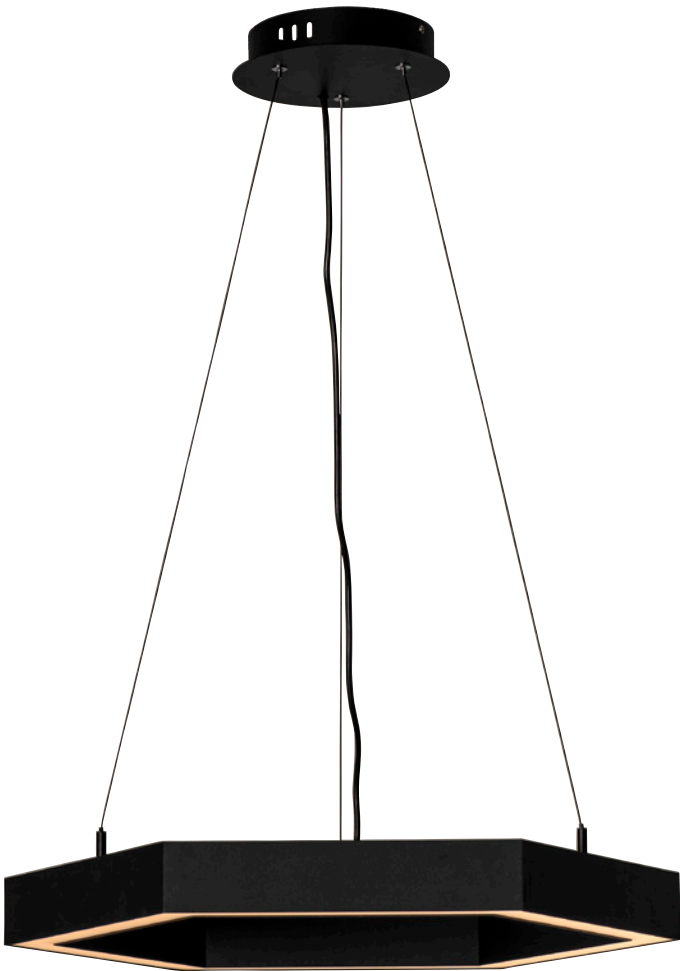
ALUMINIUM BLACK				
	<b>HCP-672850</b>	65W LED	3000K 4000K 5500K	5230LM 5350LM 5670LM
ALUMINIUM WHITE				
	<b>HCP-673850</b>	65W LED	3000K 4000K 5500K	5230LM 5350LM 5670LM

## OTHER DATA



Custom sizes available. Contact Havit Commercial for more information.


# PROLINE HEXAGON PENDANT



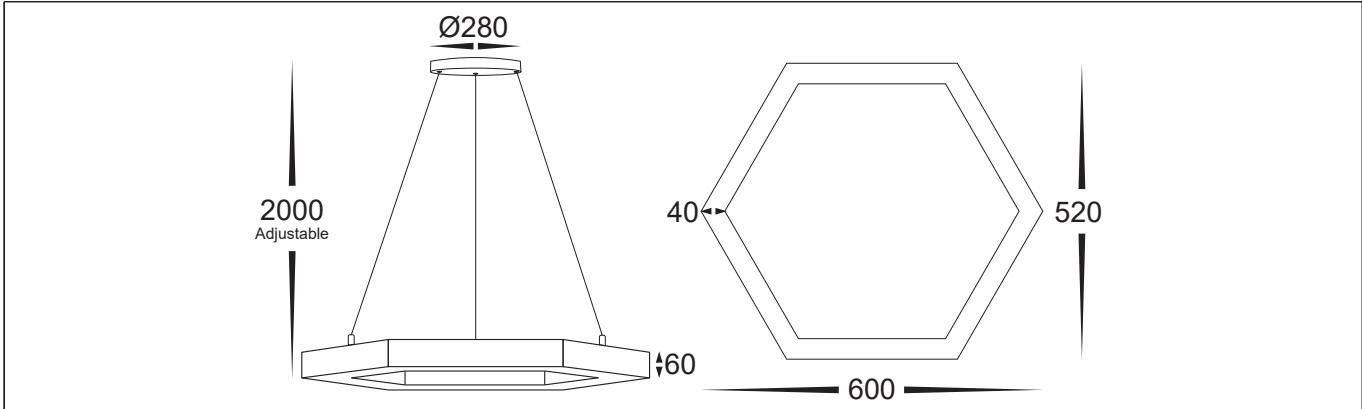
### PRODUCT DATA

PROLINE HEXAGON PENDANT	
MATERIAL	ALUMINIUM
COLOUR/FINISH	MATT BLACK
COLOUR TEMP	3000K   4000K   5500K (TRI COLOUR)
LUMEN OUTPUT	1200LM   1250LM   1300LM
INPUT VOLTAGE	240V AC
BUILT IN LED	13W LED
DIMMING	TRIAC
CRI	RA > 80
BEAM ANGLE	120°
IP RATING	IP20

### PRODUCT ORDERING

ALUMINIUM BLACK				
	<b>HCP-672130</b>	13W LED	3000K	1200LM
			4000K	1250LM
			5500K	1300LM

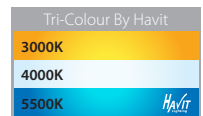
### OTHER DATA



# PROLINE HEXAGON PENDANT

17


PROLINE  
PENDANTS



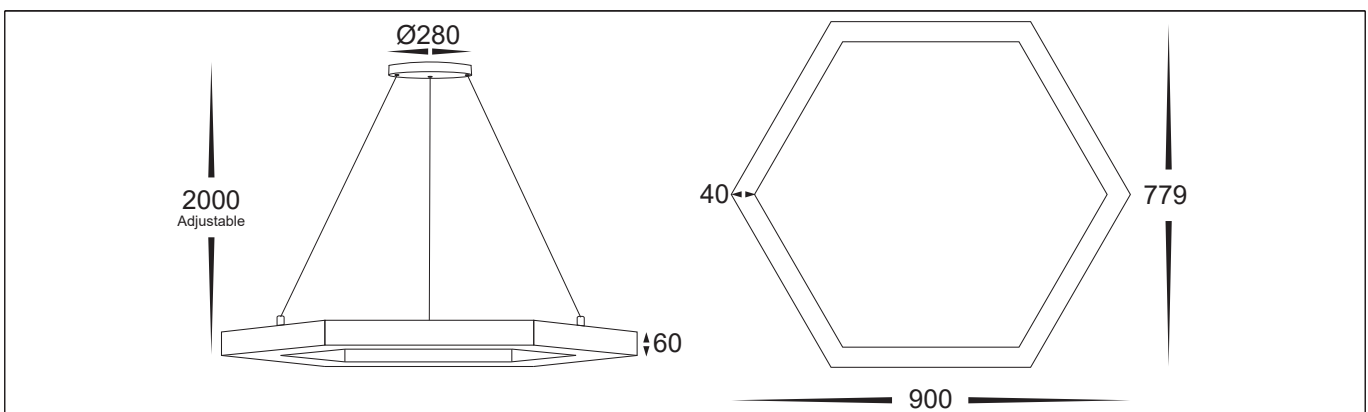
## PRODUCT DATA

PROLINE HEXAGON PENDANT	
MATERIAL	ALUMINIUM
COLOUR/FINISH	MATT BLACK
COLOUR TEMP	3000K   4000K   5500K (TRI COLOUR)
LUMEN OUTPUT	1600LM   1650LM   1700LM
INPUT VOLTAGE	240V AC
BUILT IN LED	17W LED
DIMMING	TRIAC
CRI	RA > 80
BEAM ANGLE	120°
IP RATING	IP20

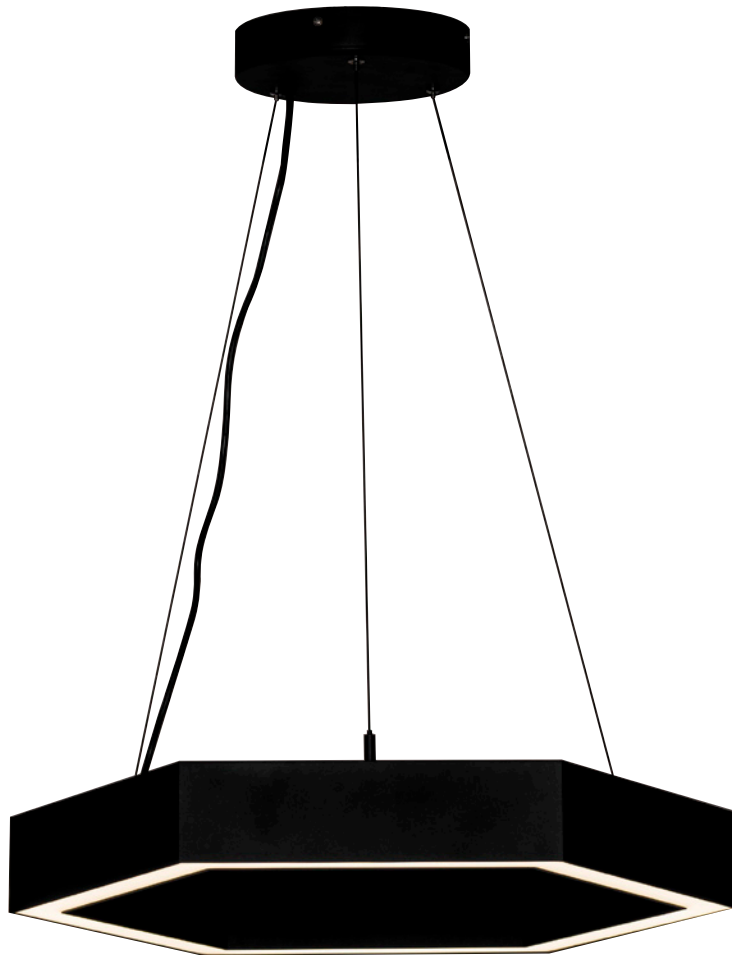
## PRODUCT ORDERING

ALUMINIUM BLACK				
	<b>HCP-672170</b>	17W LED	3000K	1600LM
			4000K	1250LM
			5500K	1300LM

## OTHER DATA



# PROLINE HEXAGON PENDANT



Tri-Colour By Havit	
3000K	
4000K	
5500K	

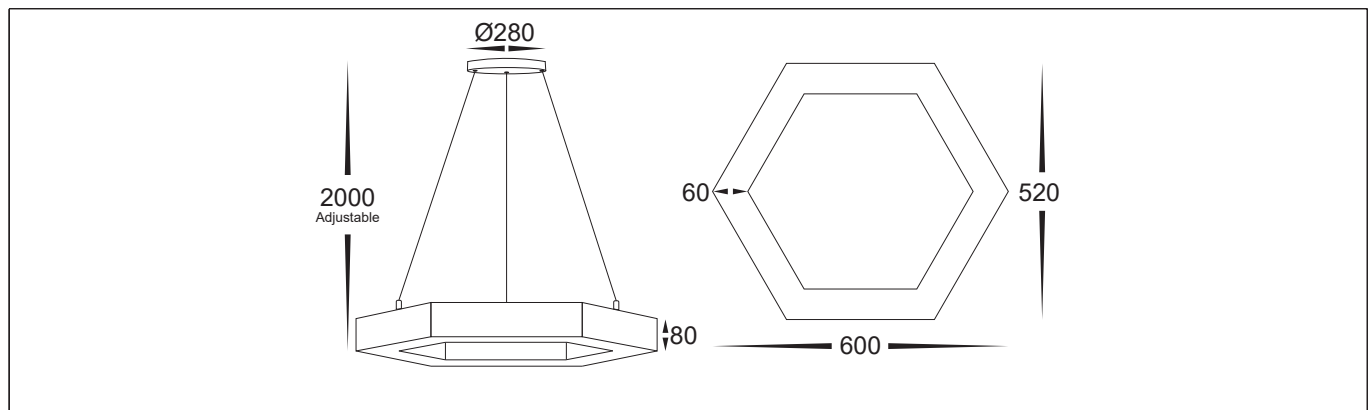
## PRODUCT DATA

PROLINE HEXAGON PENDANT	
MATERIAL	ALUMINIUM
COLOUR/FINISH	MATT BLACK
COLOUR TEMP	3000K   4000K   5500K (TRI COLOUR)
LUMEN OUTPUT	2400LM   2450LM   2500LM
INPUT VOLTAGE	240V AC
BUILT IN LED	25W LED
DIMMING	TRIAC
CRI	RA > 80
BEAM ANGLE	120°
IP RATING	IP20

## PRODUCT ORDERING

ALUMINIUM BLACK				
	<b>HCP-672250</b>	25W LED	3000K	2400LM
			4000K	2450LM
			5500K	2500LM

## OTHER DATA



# PROLINE HEXAGON PENDANT

17

PROLINE  
PENDANTS




Tri-Colour By Havit	
3000K	
4000K	
5500K	HAVIT

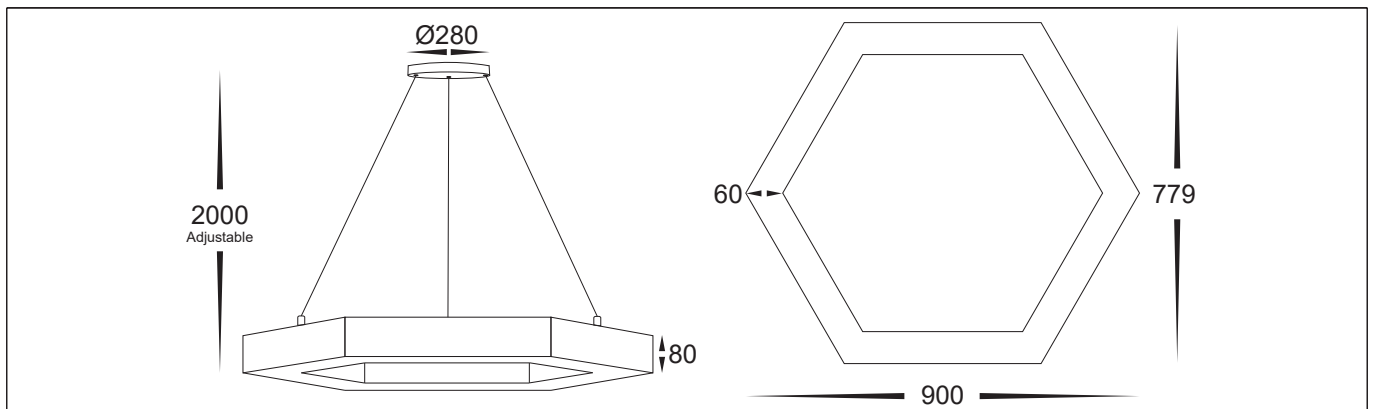
## PRODUCT DATA

PROLINE HEXAGON PENDANT	
MATERIAL	ALUMINIUM
COLOUR/FINISH	MATT BLACK
COLOUR TEMP	3000K   4000K   5500K (TRI COLOUR)
LUMEN OUTPUT	2900LM   2950LM   3000LM
INPUT VOLTAGE	240V AC
BUILT IN LED	30W LED
DIMMING	TRIAC
CRI	RA > 80
BEAM ANGLE	120°
IP RATING	IP20

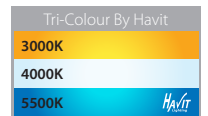
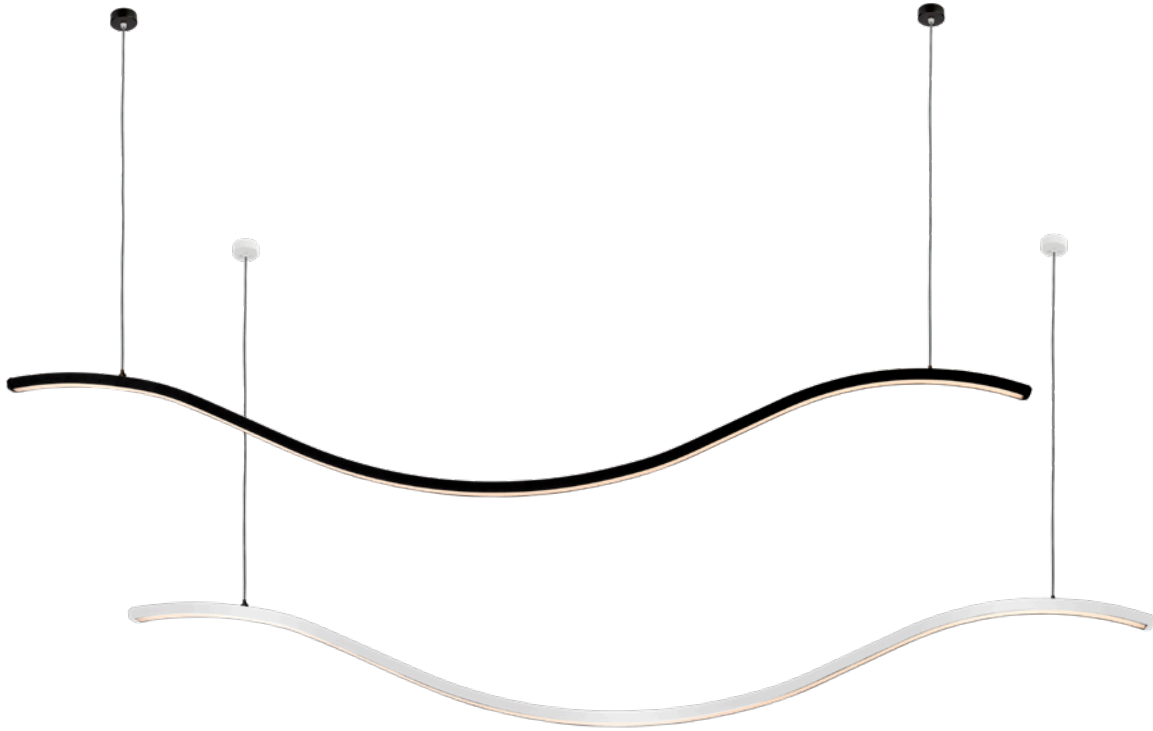
## PRODUCT ORDERING

ALUMINIUM BLACK				
	<b>HCP-672300</b>	30W LED	3000K 4000K 5500K	2900LM 2950LM 3000LM

## OTHER DATA



# 1500MM PROLINE WAVE PENDANTS



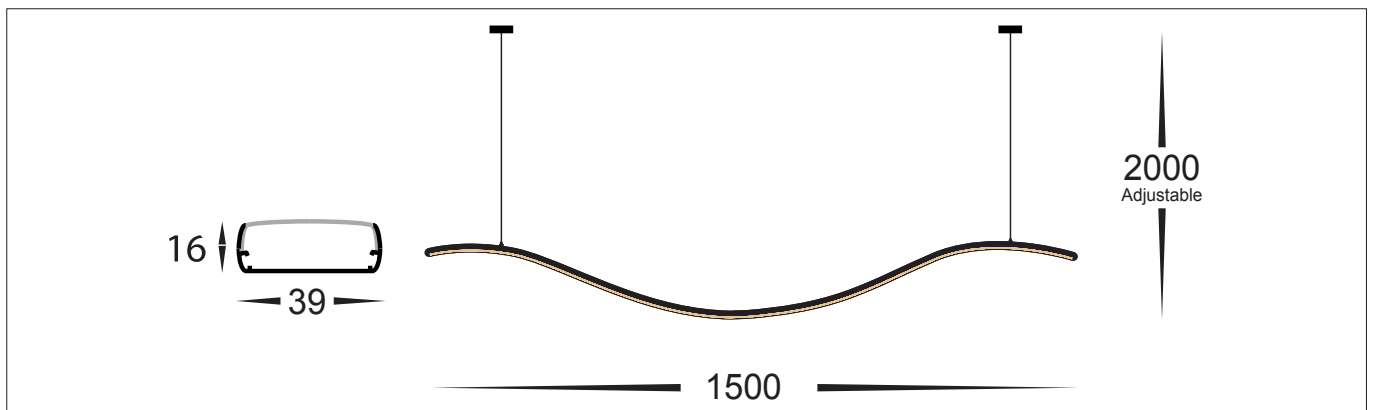
## PRODUCT DATA

1500MM PROLINE WAVE PENDANTS	
MATERIAL	ALUMINIUM
COLOUR/FINISH	MATT BLACK OR WHITE
COLOUR TEMP.	3000K   4000K   5500K (TRI-COLOUR)
LUMEN OUTPUT	3550LM   3620LM   3680LM
INPUT VOLTAGE	240V AC (REMOTE DRIVER)
BUILT-IN LED	50W
DIMMING	TRIAC DIMMABLE
CRI	RA >80
BEAM ANGLE	120°
IP RATING	IP20

## PRODUCT ORDERING

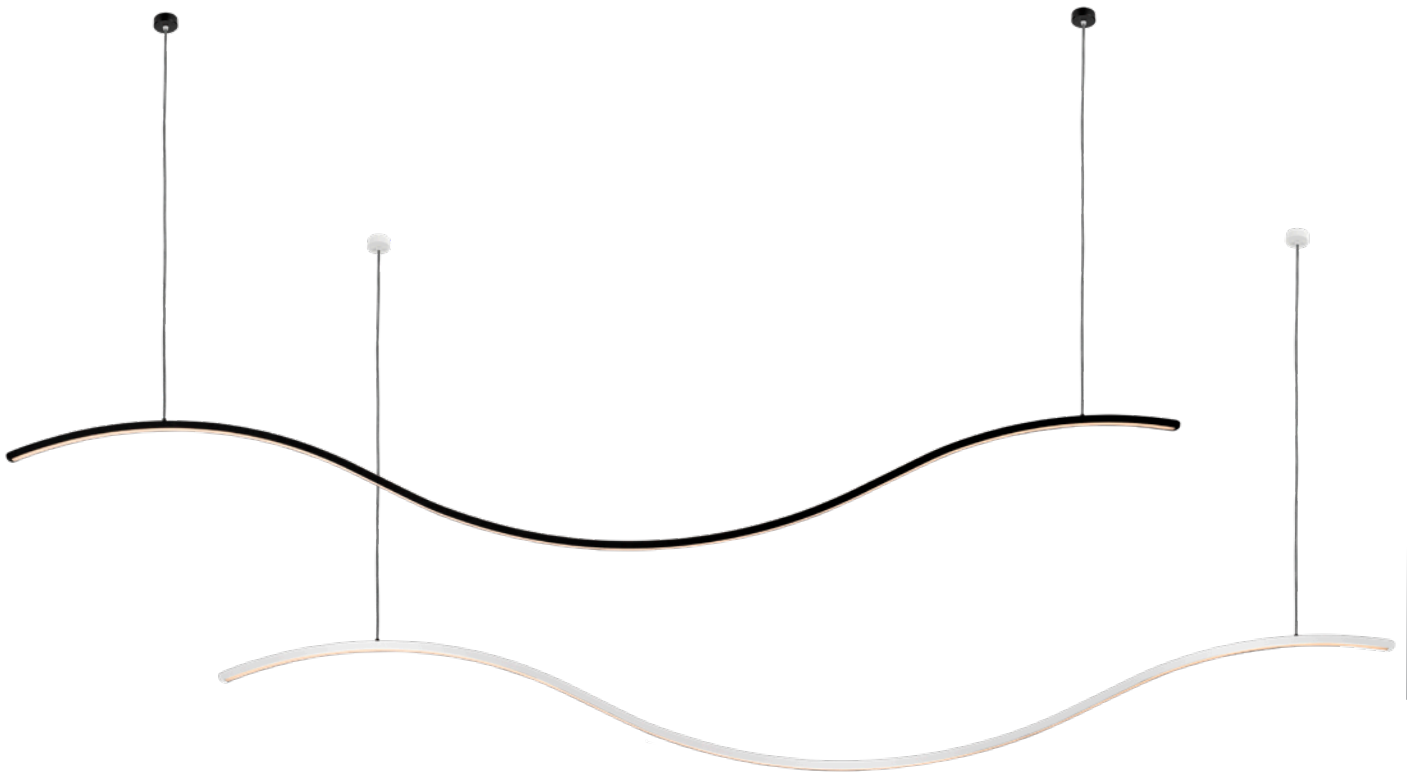
ALUMINIUM BLACK				
	<b>HCP-662500</b>	50W LED	3000K 4000K 5500K	3550LM 3620LM 3680LM
ALUMINIUM WHITE				
	<b>HCP-663500</b>	50W LED	3000K 4000K 5500K	3550LM 3620LM 3680LM

## OTHER DATA



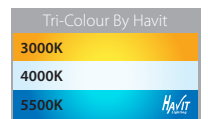


# 2500MM PROLINE WAVE PENDANTS



17



PROLINE  
PENDANTS



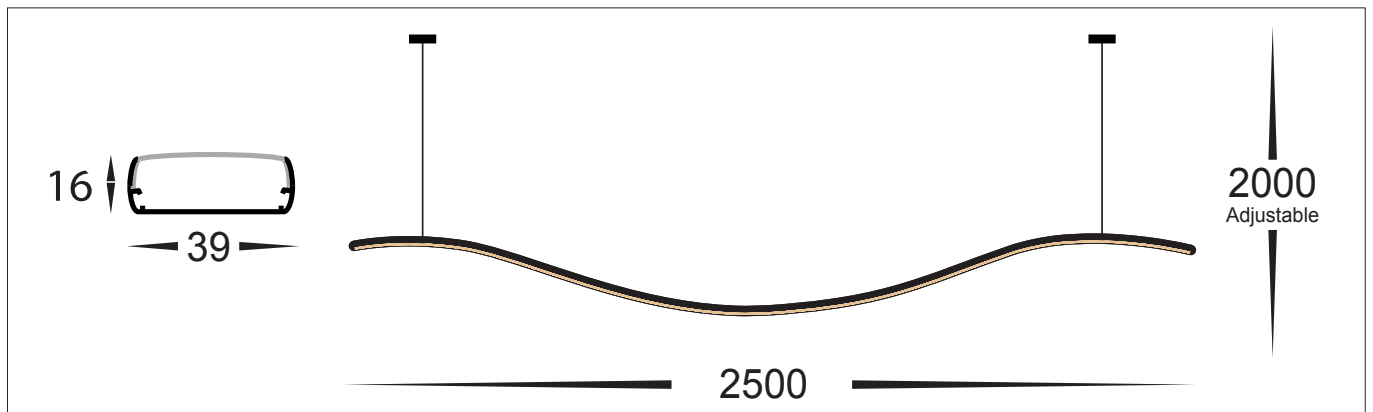
## PRODUCT DATA

2500MM PROLINE WAVE PENDANTS	
MATERIAL	ALUMINIUM
COLOUR/FINISH	MATT BLACK OR WHITE
COLOUR TEMP.	3000K   4000K   5500K (TRI-COLOUR)
LUMEN OUTPUT	5250LM   5600LM   5840LM
INPUT VOLTAGE	240V AC (REMOTE DRIVER)
BUILT-IN LED	80W
DIMMING	TRIAC DIMMABLE
CRI	RA >80
BEAM ANGLE	120°
IP RATING	IP20

## PRODUCT ORDERING

ALUMINIUM BLACK				
	<b>HCP-662800</b>	80W LED	3000K 4000K 5500K	5250LM 5600LM 5840LM
ALUMINIUM WHITE				
	<b>HCP-663800</b>	80W LED	3000K 4000K 5500K	5250LM 5600LM 5840LM

## OTHER DATA





# 13W DALI DIMMABLE SEMI DEEP RECESSED DOWNLIGHTS



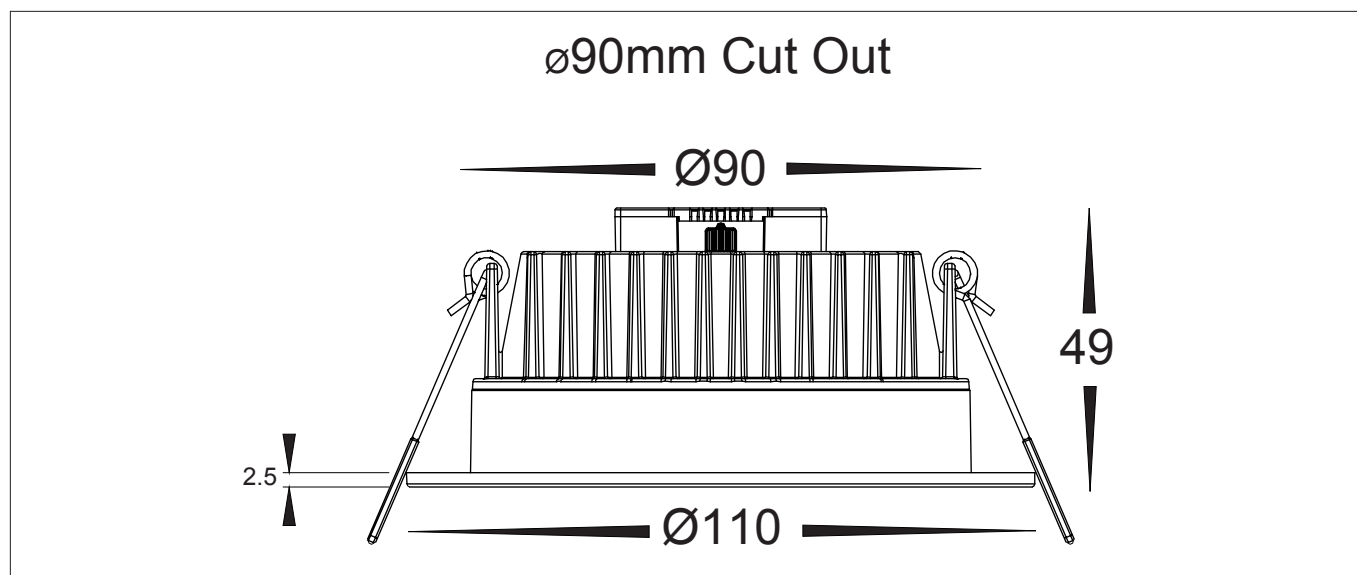
## PRODUCT DATA

13W DALI DIMMABLE DOWNLIGHTS	
MATERIAL	ALUMINIUM
COLOUR/FINISH	MATT BLACK OR MATT WHITE
COLOUR TEMP	2700K   3000K   4000K   5000K   5700K
LUMEN OUTPUT	952LM   973LM   1072LM   1019LM   1135LM
INPUT VOLTAGE	240V AC (REMOTE DALI DRIVER)
BUILT IN LED	13W LED
DIMMING	DALI DIMMABLE
CRI	RA > 90
BEAM ANGLE	40°
CUT OUT	90MM
IC4 RATING	YES
IP RATING	IP54

## PRODUCT ORDERING

ALUMINIUM BLACK				
	<b>HCP-8421314</b>	13W LED	2700K 3000K 4000K 5000K 5700K	952LM 973LM 1072LM 1019LM 1135LM
ALUMINIUM WHITE				
	<b>HCP-8431314</b>	13W LED	2700K 3000K 4000K 5000K 5700K	952LM 973LM 1072LM 1019LM 1135LM

## OTHER DATA





# 13W DALI DIMMABLE SEMI DEEP RECESSED DOWNLIGHTS



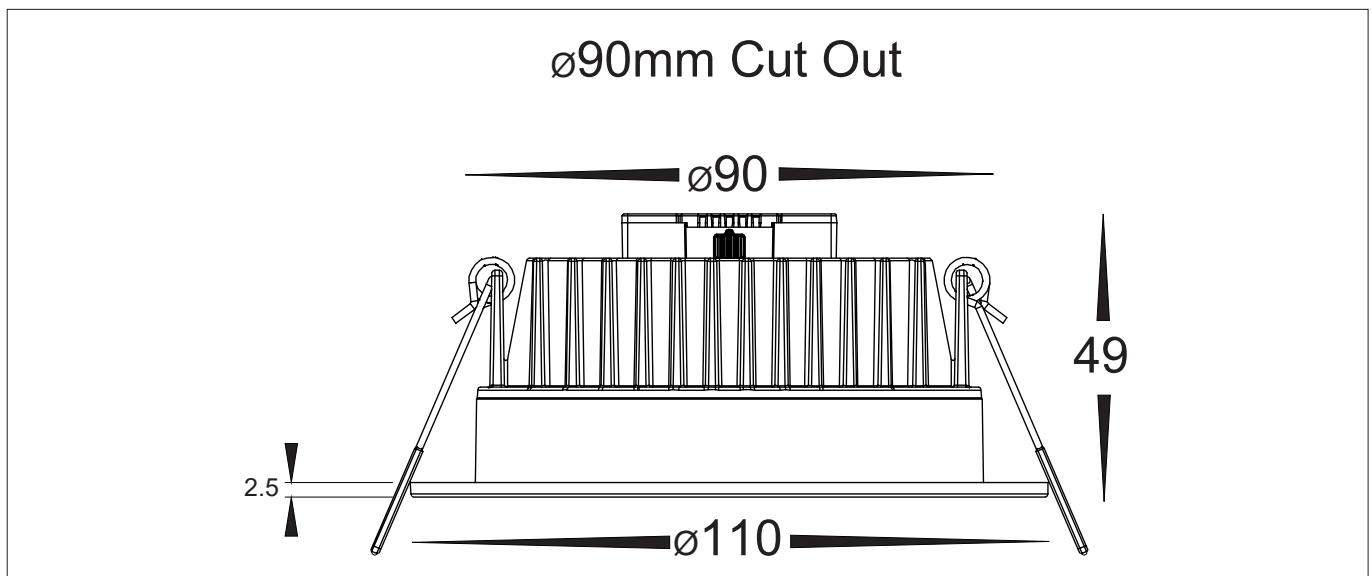
## PRODUCT DATA

13W DALI DIMMABLE DOWNLIGHTS	
MATERIAL	ALUMINIUM
COLOUR/FINISH	MATT BLACK OR MATT WHITE
COLOUR TEMP.	2700K   3000K   4000K   5000K   5700K
LUMEN OUTPUT	900LM   938LM   1024LM   1092LM   1110LM
INPUT VOLTAGE	240V AC (REMOTE DALI DRIVER)
BUILT-IN LED	13W
DIMMING	DALI DIMMABLE
CRI	RA >90
BEAM ANGLE	90°
CUT OUT	90MM
IC4 RATING	YES
IP RATING	IP44

## PRODUCT ORDERING

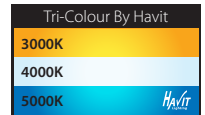
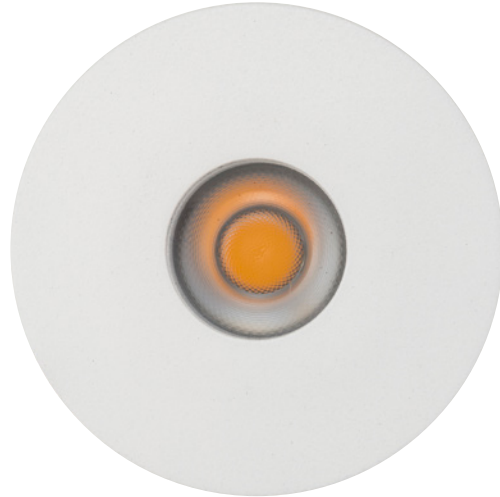
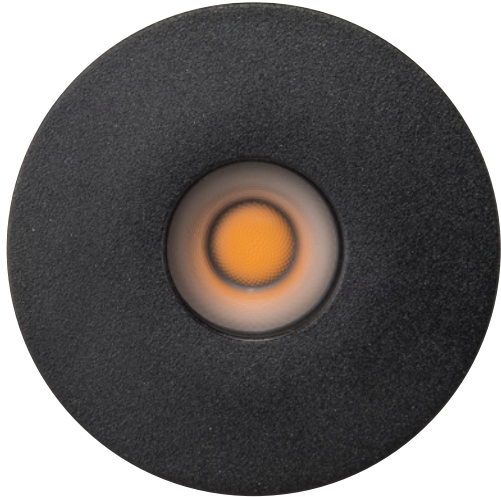
ALUMINIUM BLACK				
	<b>HCP-8421204</b>	13W LED	2700K 3000K 4000K 5000K 5700K	900LM 938LM 1024LM 1092LM 1110LM
ALUMINIUM WHITE				
	<b>HCP-8431204</b>	13W LED	2700K 3000K 4000K 5000K 5700K	900LM 938LM 1024LM 1092LM 1110LM

## OTHER DATA





# DIMMABLE MINI DOWNLIGHTS



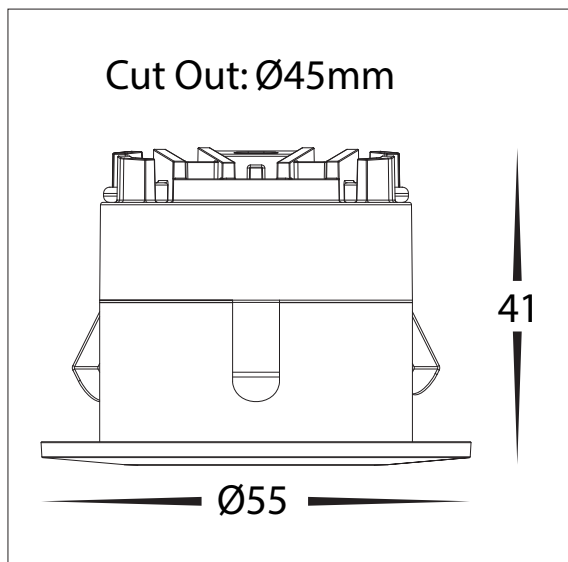
## PRODUCT DATA

5W DIMMABLE MINI DOWNLIGHTS	
MATERIAL	ALUMINIUM
COLOUR/FINISH	MATT BLACK OR MATT WHITE
COLOUR TEMP	3000K   4000K   5000K (TRI-COLOUR)
LUMEN OUTPUT	139LM   165LM   143LM
INPUT VOLTAGE	240V (REMOTE DRIVER)
BUILT IN LED	5W
DIMMING	TRIAC
CRI	80+
BEAM ANGLE	50°
CUT OUT	45MM
IC4-RATING	YES
IP RATING	IP54 (FITTING ONLY)

## PRODUCT ORDERING


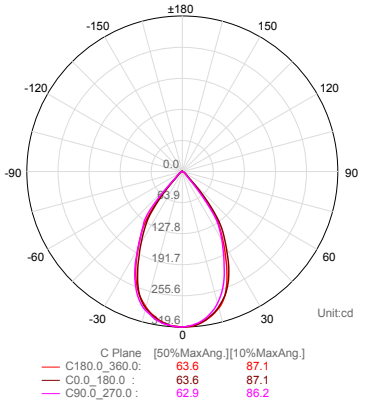

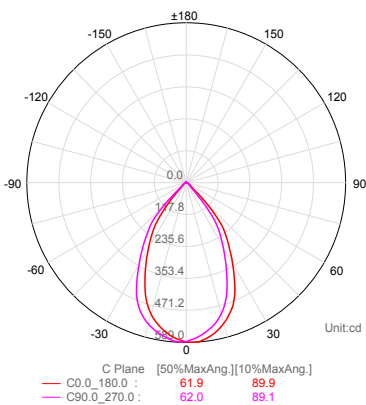

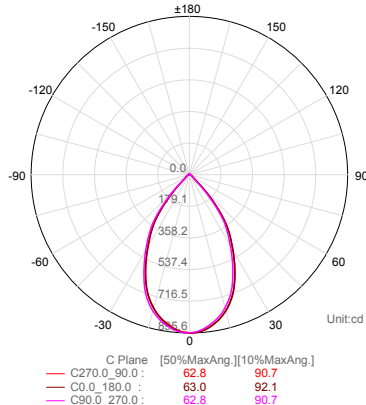

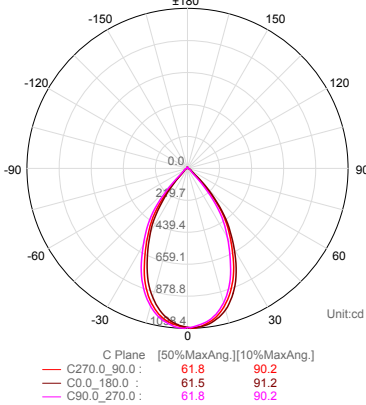
ALUMINIUM BLACK				
	<b>HCP-8120502</b>	5W LED	3000K 4000K 5000K	139LM 165LM 143LM
ALUMINIUM WHITE				
	<b>HCP-8130502</b>	5W LED	3000K 4000K 5000K	139LM 165LM 143LM

## OTHER DATA



# DIMMABLE DOWNLIGHT MODULES

## PRODUCT ORDERING

6 WATT LED MODULE					
	<b>HCP-806024</b> TRIAC DIMMABLE	6W LED	2700K	274LM	 <p>C Plane [50%MaxAng.][10%MaxAng.]</p> <ul style="list-style-type: none"> <li>C180.0_360.0: 63.6 87.1</li> <li>C0.0_180.0: 63.6 87.1</li> <li>C90.0_270.0: 62.9 86.2</li> </ul>
			3000K	279LM	
		4000K	300LM		
		5000K	318LM		
		5700K	325LM		
9 WATT LED MODULE					
	<b>HCP-809024</b> TRIAC DIMMABLE	9W LED	2700K	647LM	 <p>C Plane [50%MaxAng.][10%MaxAng.]</p> <ul style="list-style-type: none"> <li>C180.0_360.0: 61.9 89.9</li> <li>C0.0_180.0: 61.9 89.9</li> <li>C90.0_270.0: 62.0 89.1</li> </ul>
			3000K	653LM	
		4000K	734LM		
		5000K	750LM		
		5700K	769LM		
	<b>HCP-809044</b> DALI DIMMABLE				
13 WATT LED MODULE					
	<b>HCP-813024</b> TRIAC DIMMABLE	13W LED	2700K	980LM	 <p>C Plane [50%MaxAng.][10%MaxAng.]</p> <ul style="list-style-type: none"> <li>C270.0_90.0: 62.8 90.7</li> <li>C0.0_180.0: 63.0 92.1</li> <li>C90.0_270.0: 62.8 90.7</li> </ul>
			3000K	965LM	
		4000K	959LM		
		5000K	1072LM		
		5700K	1089LM		
	<b>HCP-813044</b> DALI DIMMABLE				
17 WATT LED MODULE					
	<b>HCP-817024</b> TRIAC DIMMABLE	17W LED	2700K	1191LM	 <p>C Plane [50%MaxAng.][10%MaxAng.]</p> <ul style="list-style-type: none"> <li>C270.0_90.0: 61.8 90.2</li> <li>C0.0_180.0: 61.5 91.2</li> <li>C90.0_270.0: 61.8 90.2</li> </ul>
			3000K	1202LM	
		4000K	1297LM		
		5000K	1365LM		
		5700K	1397LM		
	<b>HCP-817044</b> DALI DIMMABLE				



## PRODUCT DATA

FIVE-COLOUR DIMMABLE MODULES	
MATERIAL	ALUMINIUM
COLOUR/FINISH	MATT BLACK OR MATT WHITE
COLOUR TEMP	2700K   3000K   4000K   5000K   5700K (FIVE-COLOUR)
LUMEN OUTPUT	SEE PRODUCT ORDERING TABLE
INPUT VOLTAGE	240V (REMOTE DRIVER)
BUILT IN LED	6W   9W   13W   17W
DIMMING	TRIAC OR DALI
CRI	90+
BEAM ANGLE	60°
IC4-RATING	YES
IP RATING	IP44



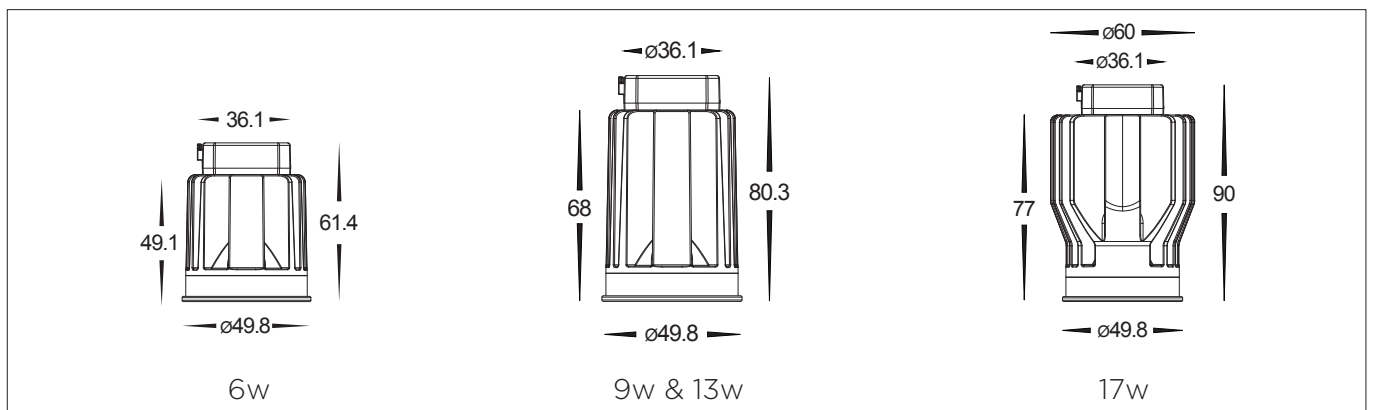
Switch on back of Module for Colour Temperature selection



OPTIONAL REFLECTORS		
	<b>HCP-80090-15</b>	15° REFLECTOR
	<b>HCP-80090-28</b>	28° REFLECTOR
	<b>HCP-80090-40</b>	40° REFLECTOR

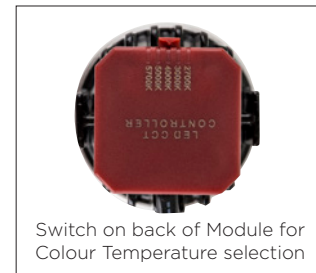
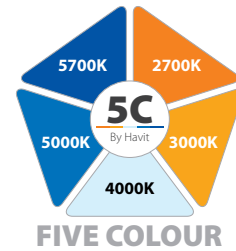
OPTIONAL HONEYCOMB LENS	
	<b>HCP-80090-HC</b>

## OTHER DATA



# 6W DIMMABLE DOWNLIGHTS


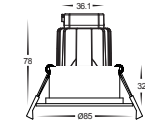

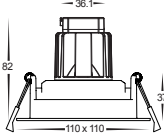

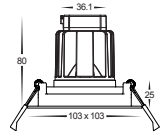

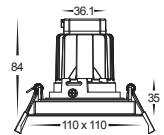

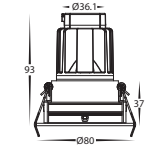

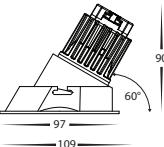
FIVE-COLOUR DIMMABLE DOWNLIGHTS	
MATERIAL	ALUMINIUM
COLOUR/FINISH	MATT BLACK
COLOUR TEMP	2700K   3000K   4000K   5000K   5700K (FIVE-COLOUR)
LUMEN OUTPUT	247LM   279LM   300LM   318LM   325LM
INPUT VOLTAGE	240V (REMOTE DRIVER)
BUILT IN LED	6W
DIMMING	TRIAC
CRI	90+
BEAM ANGLE	60°
TILT	SEE PRODUCT ORDERING TABLE BELOW
CUT OUT	SEE PRODUCT ORDERING TABLE BELOW
IC4-RATING	YES
IP RATING	IP44




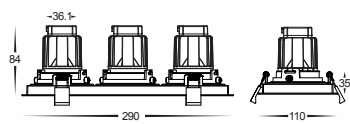
## PRODUCT ORDERING


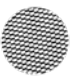
6 WATT ALUMINIUM BLACK				
	<b>HCP-81220106</b> TRIAC DIMMABLE	Ø90mm Cut-out	20° Tilt	
	<b>HCP-81220206</b> TRIAC DIMMABLE	Ø75mm Cut-out	20° Tilt	
	<b>HCP-81220306</b> TRIAC DIMMABLE	Ø76mm Cut-out	Fixed	
	<b>HCP-81220406</b> TRIAC DIMMABLE	Ø90mm Cut-out	Fixed	
	<b>HCP-81220506</b> TRIAC DIMMABLE	Ø90mm Cut-out	20° Tilt	
	<b>HCP-81220606</b> TRIAC DIMMABLE	Ø90mm Cut-out	20° Tilt	



6 WATT ALUMINIUM BLACK				
	<b>HCP-81220706</b> TRIAC DIMMABLE	Ø72mm Cut-out	Fixed	
	<b>HCP-81220806</b> TRIAC DIMMABLE	Ø92mm Cut-out	20° Tilt	
	<b>HCP-81220906</b> TRIAC DIMMABLE	Ø92mm Cut-out	20° Tilt	
	<b>HCP-81221006</b> TRIAC DIMMABLE	100x100mm Cut-out	20° Tilt	
	<b>HCP-81221306</b> TRIAC DIMMABLE	Ø70mm Cut-out	Fixed	
	<b>HCP-81221406</b> TRIAC DIMMABLE	Ø90mm Cut-out	Fixed	

2x 6 WATT ALUMINIUM BLACK				
	<b>HCP-81221106</b> TRIAC DIMMABLE	190x100mm Cut-out	20° Tilt	

3x 6 WATT ALUMINIUM BLACK				
	<b>HCP-81221206</b> TRIAC DIMMABLE	280x100mm Cut-out	20° Tilt	

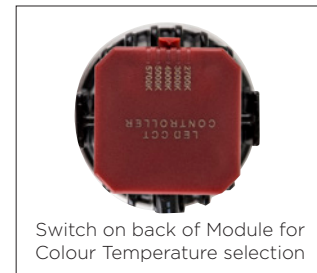
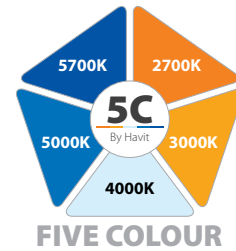
OPTIONAL ACCESSORIES		
	<b>HCP-80090-15</b>	15° REFLECTOR
	<b>HCP-80090-28</b>	28° REFLECTOR
	<b>HCP-80090-40</b>	40° REFLECTOR
	<b>HCP-80090-HC</b>	HONEYCOMB LENS



SCAN QR CODE FOR  
DETAILED PRODUCT  
SPECIFICATIONS


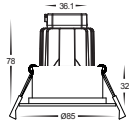

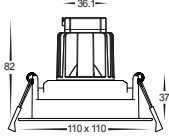

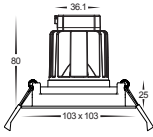

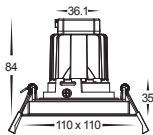

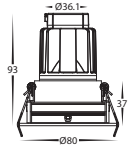

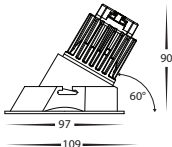
# 6W DIMMABLE DOWNLIGHTS

FIVE-COLOUR DIMMABLE DOWNLIGHTS	
MATERIAL	ALUMINIUM
COLOUR/FINISH	MATT WHITE
COLOUR TEMP	2700K   3000K   4000K   5000K   5700K (FIVE-COLOUR)
LUMEN OUTPUT	247LM   279LM   300LM   318LM   325LM
INPUT VOLTAGE	240V (REMOTE DRIVER)
BUILT IN LED	6W
DIMMING	TRIAC
CRI	90+
BEAM ANGLE	60°
TILT	SEE PRODUCT ORDERING TABLE BELOW
CUT OUT	SEE PRODUCT ORDERING TABLE BELOW
IC4-RATING	YES
IP RATING	IP44


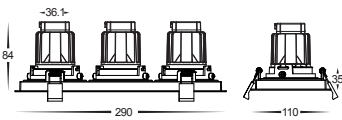



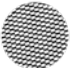
## PRODUCT ORDERING

6 WATT ALUMINIUM WHITE				
	<b>HCP-81320106</b> TRIAC DIMMABLE	Ø90mm Cut-out	20° Tilt	
	<b>HCP-81320206</b> TRIAC DIMMABLE	Ø75mm Cut-out	20° Tilt	
	<b>HCP-81320306</b> TRIAC DIMMABLE	Ø76mm Cut-out	Fixed	
	<b>HCP-81320406</b> TRIAC DIMMABLE	Ø90mm Cut-out	Fixed	
	<b>HCP-81320506</b> TRIAC DIMMABLE	Ø90mm Cut-out	20° Tilt	
	<b>HCP-81320606</b> TRIAC DIMMABLE	Ø90mm Cut-out	20° Tilt	

6 WATT ALUMINIUM WHITE				
	<b>HCP-81320706</b> TRIAC DIMMABLE	Ø72mm Cut-out	Fixed	
	<b>HCP-81320806</b> TRIAC DIMMABLE	Ø92mm Cut-out	20° Tilt	
	<b>HCP-81320906</b> TRIAC DIMMABLE	Ø92mm Cut-out	20° Tilt	
	<b>HCP-81321006</b> TRIAC DIMMABLE	100x100mm Cut-out	20° Tilt	
	<b>HCP-81321306</b> TRIAC DIMMABLE	Ø70mm Cut-out	Fixed	
	<b>HCP-81321406</b> TRIAC DIMMABLE	Ø90mm Cut-out	Fixed	

2x 6 WATT ALUMINIUM WHITE				
	<b>HCP-81321106</b> TRIAC DIMMABLE	190x100mm Cut-out	20° Tilt	

3x 6 WATT ALUMINIUM WHITE				
	<b>HCP-813212106</b> TRIAC DIMMABLE	280x100mm Cut-out	20° Tilt	

OPTIONAL ACCESSORIES		
	<b>HCP-80090-15</b>	15° REFLECTOR
	<b>HCP-80090-28</b>	28° REFLECTOR
	<b>HCP-80090-40</b>	40° REFLECTOR
	<b>HCP-80090-HC</b>	HONEYCOMB LENS




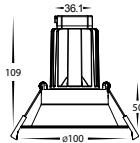
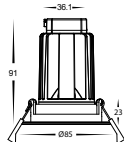
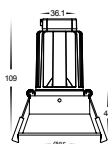


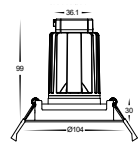

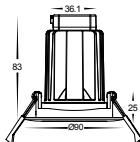
SCAN QR CODE FOR  
DETAILED PRODUCT  
SPECIFICATIONS

# 9W DIMMABLE DOWNLIGHTS

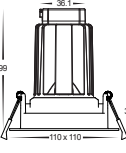
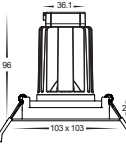


FIVE-COLOUR DIMMABLE DOWNLIGHTS	
MATERIAL	ALUMINIUM
COLOUR/FINISH	MATT BLACK
COLOUR TEMP	2700K   3000K   4000K   5000K   5700K (FIVE-COLOUR)
LUMEN OUTPUT	647LM   653LM   734LM   750LM   769LM
INPUT VOLTAGE	240V (REMOTE DRIVER)
BUILT IN LED	9W
DIMMING	TRIAC OR DALI
CRI	90+
BEAM ANGLE	60°
TILT	SEE PRODUCT ORDERING TABLE BELOW
CUT OUT	SEE PRODUCT ORDERING TABLE BELOW
IC4-RATING	YES
IP RATING	IP44



## PRODUCT ORDERING

9 WATT ALUMINIUM BLACK				
	<b>HCP-81220109</b> TRIAC DIMMABLE	Ø90mm Cut-out	20° Tilt	
	<b>HCP-81240109</b> DALI DIMMABLE			
	<b>HCP-81220209</b> TRIAC DIMMABLE	Ø75mm Cut-out	20° Tilt	
	<b>HCP-81240209</b> DALI DIMMABLE			
	<b>HCP-81220309</b> TRIAC DIMMABLE	Ø76mm Cut-out	Fixed	
	<b>HCP-81240309</b> DALI DIMMABLE			
	<b>HCP-81220409</b> TRIAC DIMMABLE	Ø90mm Cut-out	Fixed	
	<b>HCP-81240409</b> DALI DIMMABLE			
	<b>HCP-81220509</b> TRIAC DIMMABLE	Ø90mm Cut-out	20° Tilt	
	<b>HCP-81240509</b> DALI DIMMABLE			
	<b>HCP-81220609</b> TRIAC DIMMABLE	Ø90mm Cut-out	20° Tilt	
	<b>HCP-81240609</b> DALI DIMMABLE			

## 9 WATT ALUMINIUM BLACK

	<b>HCP-81220709</b> TRIAC DIMMABLE	Ø72mm Cut-out	Fixed	
	<b>HCP-81240709</b> DALI DIMMABLE			
	<b>HCP-81220809</b> TRIAC DIMMABLE	Ø92mm Cut-out	20° Tilt	
	<b>HCP-81240809</b> DALI DIMMABLE			
	<b>HCP-81220909</b> TRIAC DIMMABLE	Ø92mm Cut-out	20° Tilt	
	<b>HCP-81240909</b> DALI DIMMABLE			
	<b>HCP-81221009</b> TRIAC DIMMABLE	100x100mm Cut-out	20° Tilt	
	<b>HCP-81241009</b> DALI DIMMABLE			
	<b>HCP-81221309</b> TRIAC DIMMABLE	Ø70mm Cut-out	Fixed	
	<b>HCP-81241309</b> DALI DIMMABLE			
	<b>HCP-81221409</b> TRIAC DIMMABLE	Ø90mm Cut-out	Fixed	
	<b>HCP-81241409</b> DALI DIMMABLE			


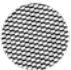
## 2x 9 WATT ALUMINIUM BLACK

	<b>HCP-81221109</b> TRIAC DIMMABLE	190x100mm Cut-out	20° Tilt	
	<b>HCP-81241109</b> DALI DIMMABLE			

## 3x 9 WATT ALUMINIUM BLACK

	<b>HCP-81221209</b> TRIAC DIMMABLE	280x100mm Cut-out	20° Tilt	
	<b>HCP-81241209</b> DALI DIMMABLE			

## OPTIONAL ACCESSORIES

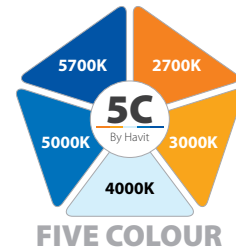
	<b>HCP-80090-15</b>	15° REFLECTOR
	<b>HCP-80090-28</b>	28° REFLECTOR
	<b>HCP-80090-40</b>	40° REFLECTOR
	<b>HCP-80090-HC</b>	HONEYCOMB LENS




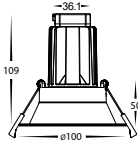

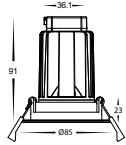

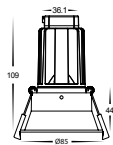

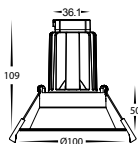

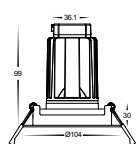

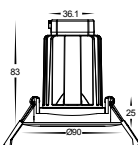
SCAN QR CODE FOR  
DETAILED PRODUCT  
SPECIFICATIONS



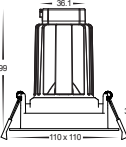



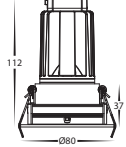

# 9W DIMMABLE DOWNLIGHTS


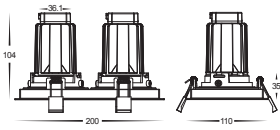
FIVE-COLOUR DIMMABLE DOWNLIGHTS	
MATERIAL	ALUMINIUM
COLOUR/FINISH	MATT WHITE
COLOUR TEMP	2700K   3000K   4000K   5000K   5700K (FIVE-COLOUR)
LUMEN OUTPUT	647LM   653LM   734LM   750LM   769LM
INPUT VOLTAGE	240V (REMOTE DRIVER)
BUILT IN LED	9W
DIMMING	TRIAC OR DALI
CRI	90+
BEAM ANGLE	60°
TILT	SEE PRODUCT ORDERING TABLE BELOW
CUT OUT	SEE PRODUCT ORDERING TABLE BELOW
IC4-RATING	YES
IP RATING	IP44


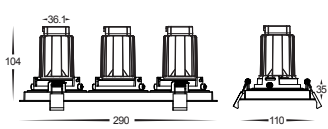



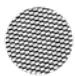
## PRODUCT ORDERING

9 WATT ALUMINIUM WHITE				
	<b>HCP-81320109</b> TRIAC DIMMABLE	Ø90mm Cut-out	20° Tilt	
	<b>HCP-81340109</b> DALI DIMMABLE			
	<b>HCP-81320209</b> TRIAC DIMMABLE	Ø75mm Cut-out	20° Tilt	
	<b>HCP-81340209</b> DALI DIMMABLE			
	<b>HCP-81320309</b> TRIAC DIMMABLE	Ø76mm Cut-out	Fixed	
	<b>HCP-81340309</b> DALI DIMMABLE			
	<b>HCP-81320409</b> TRIAC DIMMABLE	Ø90mm Cut-out	Fixed	
	<b>HCP-81340409</b> DALI DIMMABLE			
	<b>HCP-81320509</b> TRIAC DIMMABLE	Ø90mm Cut-out	20° Tilt	
	<b>HCP-81340509</b> DALI DIMMABLE			
	<b>HCP-81320609</b> TRIAC DIMMABLE	Ø90mm Cut-out	20° Tilt	
	<b>HCP-81340609</b> DALI DIMMABLE			

9 WATT ALUMINIUM WHITE				
	<b>HCP-81320709</b> TRIAC DIMMABLE	Ø72mm Cut-out	Fixed	
	<b>HCP-81340709</b> DALI DIMMABLE			
	<b>HCP-81320809</b> TRIAC DIMMABLE	Ø92mm Cut-out	20° Tilt	
	<b>HCP-81340809</b> DALI DIMMABLE			
	<b>HCP-81320909</b> TRIAC DIMMABLE	Ø92mm Cut-out	20° Tilt	
	<b>HCP-81340909</b> DALI DIMMABLE			
	<b>HCP-81321009</b> TRIAC DIMMABLE	100x100mm Cut-out	20° Tilt	
	<b>HCP-81341009</b> DALI DIMMABLE			
	<b>HCP-81321309</b> TRIAC DIMMABLE	Ø70mm Cut-out	Fixed	
	<b>HCP-81341309</b> DALI DIMMABLE			
	<b>HCP-81321409</b> TRIAC DIMMABLE	Ø90mm Cut-out	Fixed	
	<b>HCP-81341409</b> DALI DIMMABLE			

2x 9 WATT ALUMINIUM WHITE				
	<b>HCP-81321109</b> TRIAC DIMMABLE	190x100mm Cut-out	20° Tilt	
	<b>HCP-81341109</b> DALI DIMMABLE			

3x 9 WATT ALUMINIUM WHITE				
	<b>HCP-813212109</b> TRIAC DIMMABLE	280x100mm Cut-out	20° Tilt	
	<b>HCP-81341209</b> DALI DIMMABLE			

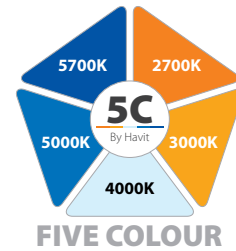
OPTIONAL ACCESSORIES		
	<b>HCP-80090-15</b>	15° REFLECTOR
	<b>HCP-80090-28</b>	28° REFLECTOR
	<b>HCP-80090-40</b>	40° REFLECTOR
	<b>HCP-80090-HC</b>	HONEYCOMB LENS



SCAN QR CODE FOR  
DETAILED PRODUCT  
SPECIFICATIONS

# 13W DIMMABLE DOWNLIGHTS

FIVE-COLOUR DIMMABLE DOWNLIGHTS	
MATERIAL	ALUMINIUM
COLOUR/FINISH	MATT BLACK
COLOUR TEMP	2700K   3000K   4000K   5000K   5700K (FIVE-COLOUR)
LUMEN OUTPUT	980LM   965LM   959LM   1072LM   1089LM
INPUT VOLTAGE	240V (REMOTE DRIVER)
BUILT IN LED	13W
DIMMING	TRIAC OR DALI
CRI	90+
BEAM ANGLE	60°
TILT	SEE PRODUCT ORDERING TABLE BELOW
CUT OUT	SEE PRODUCT ORDERING TABLE BELOW
IC4-RATING	YES
IP RATING	IP44




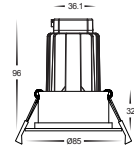

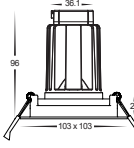
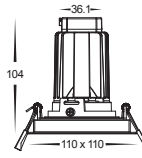

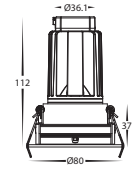
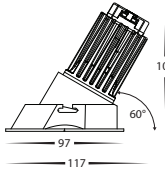
## PRODUCT ORDERING

13 WATT ALUMINIUM BLACK				
	<b>HCP-81220113</b> TRIAC DIMMABLE	Ø90mm Cut-out	20° Tilt	
	<b>HCP-81240113</b> DALI DIMMABLE			
	<b>HCP-81220213</b> TRIAC DIMMABLE	Ø75mm Cut-out	20° Tilt	
	<b>HCP-81240213</b> DALI DIMMABLE			
	<b>HCP-81220313</b> TRIAC DIMMABLE	Ø76mm Cut-out	Fixed	
	<b>HCP-81240313</b> DALI DIMMABLE			
	<b>HCP-81220413</b> TRIAC DIMMABLE	Ø90mm Cut-out	Fixed	
	<b>HCP-81240413</b> DALI DIMMABLE			
	<b>HCP-81220513</b> TRIAC DIMMABLE	Ø90mm Cut-out	20° Tilt	
	<b>HCP-81240513</b> DALI DIMMABLE			
	<b>HCP-81220613</b> TRIAC DIMMABLE	Ø90mm Cut-out	20° Tilt	
	<b>HCP-81240613</b> DALI DIMMABLE			


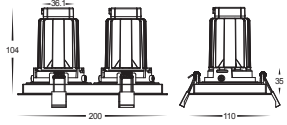


# 13W DIMMABLE DOWNLIGHTS


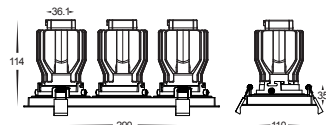
## 13 WATT ALUMINIUM BLACK

	<b>HCP-81220713</b> TRIAC DIMMABLE	Ø72mm Cut-out	Fixed	
	<b>HCP-81240713</b> DALI DIMMABLE			
	<b>HCP-81220813</b> TRIAC DIMMABLE	Ø92mm Cut-out	20° Tilt	
	<b>HCP-81240813</b> DALI DIMMABLE			
	<b>HCP-81220913</b> TRIAC DIMMABLE	Ø92mm Cut-out	20° Tilt	
	<b>HCP-81240913</b> DALI DIMMABLE			
	<b>HCP-81221013</b> TRIAC DIMMABLE	100x100mm Cut-out	20° Tilt	
	<b>HCP-81241013</b> DALI DIMMABLE			
	<b>HCP-81221313</b> TRIAC DIMMABLE	Ø70mm Cut-out	Fixed	
	<b>HCP-81241313</b> DALI DIMMABLE			
	<b>HCP-81221413</b> TRIAC DIMMABLE	Ø90mm Cut-out	Fixed	
	<b>HCP-81241413</b> DALI DIMMABLE			


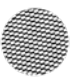
## 2x 13 WATT ALUMINIUM BLACK

	<b>HCP-81221113</b> TRIAC DIMMABLE	190x100mm Cut-out	20° Tilt	
	<b>HCP-81241113</b> DALI DIMMABLE			

## 3x 13 WATT ALUMINIUM BLACK

	<b>HCP-81221213</b> TRIAC DIMMABLE	280x100mm Cut-out	20° Tilt	
	<b>HCP-81241213</b> DALI DIMMABLE			

## OPTIONAL ACCESSORIES

	<b>HCP-80090-15</b>	15° REFLECTOR
	<b>HCP-80090-28</b>	28° REFLECTOR
	<b>HCP-80090-40</b>	40° REFLECTOR
	<b>HCP-80090-HC</b>	HONEYCOMB LENS



SCAN QR CODE FOR  
DETAILED PRODUCT  
SPECIFICATIONS

# 13W DIMMABLE DOWNLIGHTS

FIVE-COLOUR DIMMABLE DOWNLIGHTS	
MATERIAL	ALUMINIUM
COLOUR/FINISH	MATT WHITE
COLOUR TEMP	2700K   3000K   4000K   5000K   5700K (FIVE-COLOUR)
LUMEN OUTPUT	980LM   965LM   959LM   1072LM   1089LM
INPUT VOLTAGE	240V (REMOTE DRIVER)
BUILT IN LED	13W
DIMMING	TRIAC OR DALI
CRI	90+
BEAM ANGLE	60°
TILT	SEE PRODUCT ORDERING TABLE BELOW
CUT OUT	SEE PRODUCT ORDERING TABLE BELOW
IC4-RATING	YES
IP RATING	IP44



## PRODUCT ORDERING


13 WATT ALUMINIUM WHITE				
	<b>HCP-81320113</b> TRIAC DIMMABLE	Ø90mm Cut-out	20° Tilt	
	<b>HCP-81340113</b> DALI DIMMABLE			
	<b>HCP-81320213</b> TRIAC DIMMABLE	Ø75mm Cut-out	20° Tilt	
	<b>HCP-81340213</b> DALI DIMMABLE			
	<b>HCP-81320313</b> TRIAC DIMMABLE	Ø76mm Cut-out	Fixed	
	<b>HCP-81340313</b> DALI DIMMABLE			
	<b>HCP-81320413</b> TRIAC DIMMABLE	Ø90mm Cut-out	Fixed	
	<b>HCP-81340413</b> DALI DIMMABLE			
	<b>HCP-81320513</b> TRIAC DIMMABLE	Ø90mm Cut-out	20° Tilt	
	<b>HCP-81340513</b> DALI DIMMABLE			
	<b>HCP-81320613</b> TRIAC DIMMABLE	Ø90mm Cut-out	20° Tilt	
	<b>HCP-81340613</b> DALI DIMMABLE			

13 WATT ALUMINIUM WHITE				
	<b>HCP-81320713</b> TRIAC DIMMABLE	Ø72mm Cut-out	Fixed	
	<b>HCP-81340713</b> DALI DIMMABLE			
	<b>HCP-81320813</b> TRIAC DIMMABLE	Ø92mm Cut-out	20° Tilt	
	<b>HCP-81340813</b> DALI DIMMABLE			
	<b>HCP-81320913</b> TRIAC DIMMABLE	Ø92mm Cut-out	20° Tilt	
	<b>HCP-81340913</b> DALI DIMMABLE			
	<b>HCP-81321013</b> TRIAC DIMMABLE	100x100mm Cut-out	20° Tilt	
	<b>HCP-81341013</b> DALI DIMMABLE			
	<b>HCP-81321313</b> TRIAC DIMMABLE	Ø70mm Cut-out	Fixed	
	<b>HCP-81341313</b> DALI DIMMABLE			
	<b>HCP-81321413</b> TRIAC DIMMABLE	Ø90mm Cut-out	Fixed	
	<b>HCP-81341413</b> DALI DIMMABLE			

2x 13 WATT ALUMINIUM WHITE				
	<b>HCP-81321113</b> TRIAC DIMMABLE	190x100mm Cut-out	20° Tilt	
	<b>HCP-81341113</b> DALI DIMMABLE			

3x 13 WATT ALUMINIUM WHITE				
	<b>HCP-81321213</b> TRIAC DIMMABLE	280x100mm Cut-out	20° Tilt	
	<b>HCP-81341213</b> DALI DIMMABLE			

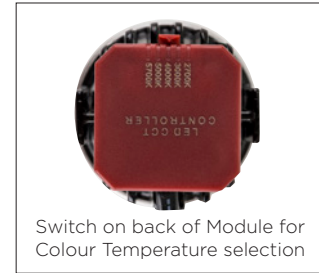
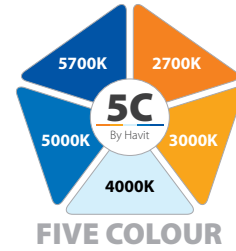
OPTIONAL ACCESSORIES		
	<b>HCP-80090-15</b>	15° REFLECTOR
	<b>HCP-80090-28</b>	28° REFLECTOR
	<b>HCP-80090-40</b>	40° REFLECTOR
	<b>HCP-80090-HC</b>	HONEYCOMB LENS



SCAN QR CODE FOR  
DETAILED PRODUCT  
SPECIFICATIONS

# 17W DIMMABLE DOWNLIGHTS

FIVE-COLOUR DIMMABLE DOWNLIGHTS	
MATERIAL	ALUMINIUM
COLOUR/FINISH	MATT BLACK
COLOUR TEMP	2700K   3000K   4000K   5000K   5700K (FIVE-COLOUR)
LUMEN OUTPUT	1191LM   1202LM   1297LM   1365LM   1397LM
INPUT VOLTAGE	240V (REMOTE DRIVER)
BUILT IN LED	17W
DIMMING	TRIAC OR DALI
CRI	90+
BEAM ANGLE	60°
TILT	SEE PRODUCT ORDERING TABLE BELOW
CUT OUT	SEE PRODUCT ORDERING TABLE BELOW
IC4-RATING	YES
IP RATING	IP44


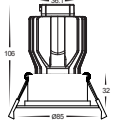

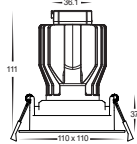

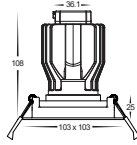


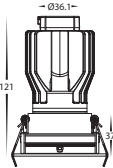

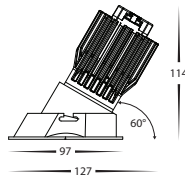


## PRODUCT ORDERING

17 WATT ALUMINIUM BLACK				
	<b>HCP-81220117</b> TRIAC DIMMABLE	Ø90mm Cut-out	20° Tilt	
	<b>HCP-81240117</b> DALI DIMMABLE			
	<b>HCP-81220217</b> TRIAC DIMMABLE	Ø75mm Cut-out	20° Tilt	
	<b>HCP-81240217</b> DALI DIMMABLE			
	<b>HCP-81220317</b> TRIAC DIMMABLE	Ø76mm Cut-out	Fixed	
	<b>HCP-81240317</b> DALI DIMMABLE			
	<b>HCP-81220417</b> TRIAC DIMMABLE	Ø90mm Cut-out	Fixed	
	<b>HCP-81240417</b> DALI DIMMABLE			
	<b>HCP-81220517</b> TRIAC DIMMABLE	Ø90mm Cut-out	20° Tilt	
	<b>HCP-81240517</b> DALI DIMMABLE			
	<b>HCP-81220617</b> TRIAC DIMMABLE	Ø90mm Cut-out	20° Tilt	
	<b>HCP-81240617</b> DALI DIMMABLE			

# 17W DIMMABLE DOWNLIGHTS

## 17 WATT ALUMINIUM BLACK

	<b>HCP-81220717</b> TRIAC DIMMABLE	Ø72mm Cut-out	Fixed	
	<b>HCP-81240717</b> DALI DIMMABLE			
	<b>HCP-81220817</b> TRIAC DIMMABLE	Ø92mm Cut-out	20° Tilt	
	<b>HCP-81240817</b> DALI DIMMABLE			
	<b>HCP-81220917</b> TRIAC DIMMABLE	Ø92mm Cut-out	20° Tilt	
	<b>HCP-81240917</b> DALI DIMMABLE			
	<b>HCP-81221017</b> TRIAC DIMMABLE	100x100mm Cut-out	20° Tilt	
	<b>HCP-81241017</b> DALI DIMMABLE			
	<b>HCP-81221317</b> TRIAC DIMMABLE	Ø70mm Cut-out	Fixed	
	<b>HCP-81241317</b> DALI DIMMABLE			
	<b>HCP-81221417</b> TRIAC DIMMABLE	Ø90mm Cut-out	Fixed	
	<b>HCP-81241417</b> DALI DIMMABLE			


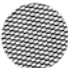
## 2x 17 WATT ALUMINIUM BLACK

	<b>HCP-81221117</b> TRIAC DIMMABLE	190x100mm Cut-out	20° Tilt	
	<b>HCP-81241117</b> DALI DIMMABLE			

## 3x 17 WATT ALUMINIUM BLACK

	<b>HCP-81221217</b> TRIAC DIMMABLE	280x100mm Cut-out	20° Tilt	
	<b>HCP-81241217</b> DALI DIMMABLE			

## OPTIONAL ACCESSORIES

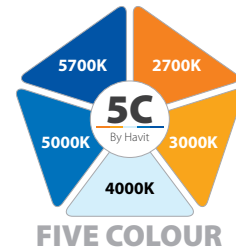
	<b>HCP-80090-15</b>	15° REFLECTOR
	<b>HCP-80090-28</b>	28° REFLECTOR
	<b>HCP-80090-40</b>	40° REFLECTOR
	<b>HCP-80090-HC</b>	HONEYCOMB LENS




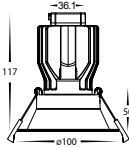

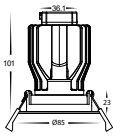

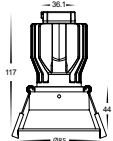

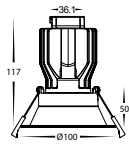

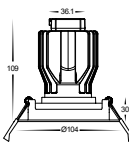

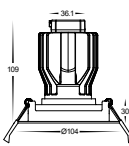
SCAN QR CODE FOR  
DETAILED PRODUCT  
SPECIFICATIONS

# 17W DIMMABLE DOWNLIGHTS


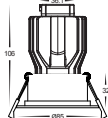

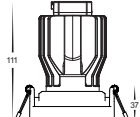

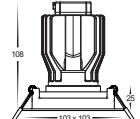

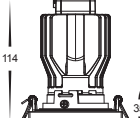

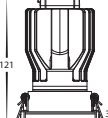

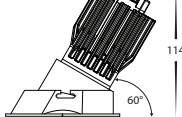
FIVE-COLOUR DIMMABLE DOWNLIGHTS	
MATERIAL	ALUMINIUM
COLOUR/FINISH	MATT WHITE
COLOUR TEMP	2700K   3000K   4000K   5000K   5700K (FIVE-COLOUR)
LUMEN OUTPUT	1191LM   1202LM   1297LM   1365LM   1397LM
INPUT VOLTAGE	240V (REMOTE DRIVER)
BUILT IN LED	17W
DIMMING	TRIAC OR DALI
CRI	90+
BEAM ANGLE	60°
TILT	SEE PRODUCT ORDERING TABLE BELOW
CUT OUT	SEE PRODUCT ORDERING TABLE BELOW
IC4-RATING	YES
IP RATING	IP44




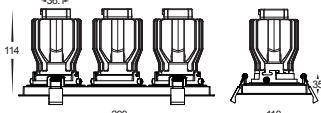
## PRODUCT ORDERING


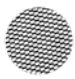
17 WATT ALUMINIUM WHITE				
	<b>HCP-81320117</b> TRIAC DIMMABLE	Ø90mm Cut-out	20° Tilt	
	<b>HCP-81340117</b> DALI DIMMABLE			
	<b>HCP-81320217</b> TRIAC DIMMABLE	Ø75mm Cut-out	20° Tilt	
	<b>HCP-81340217</b> DALI DIMMABLE			
	<b>HCP-81320317</b> TRIAC DIMMABLE	Ø76mm Cut-out	Fixed	
	<b>HCP-81340317</b> DALI DIMMABLE			
	<b>HCP-81320417</b> TRIAC DIMMABLE	Ø90mm Cut-out	Fixed	
	<b>HCP-81340417</b> DALI DIMMABLE			
	<b>HCP-81320517</b> TRIAC DIMMABLE	Ø90mm Cut-out	20° Tilt	
	<b>HCP-81340517</b> DALI DIMMABLE			
	<b>HCP-81320617</b> TRIAC DIMMABLE	Ø90mm Cut-out	20° Tilt	
	<b>HCP-81340617</b> DALI DIMMABLE			


# 17W DIMMABLE DOWNLIGHTS

17 WATT ALUMINIUM WHITE				
	<b>HCP-81320717</b> TRIAC DIMMABLE	Ø72mm Cut-out	Fixed	
	<b>HCP-81340717</b> DALI DIMMABLE			
	<b>HCP-81320817</b> TRIAC DIMMABLE	Ø92mm Cut-out	20° Tilt	
	<b>HCP-81340817</b> DALI DIMMABLE			
	<b>HCP-81320917</b> TRIAC DIMMABLE	Ø92mm Cut-out	20° Tilt	
	<b>HCP-81340917</b> DALI DIMMABLE			
	<b>HCP-81321017</b> TRIAC DIMMABLE	100x100mm Cut-out	20° Tilt	
	<b>HCP-81341017</b> DALI DIMMABLE			
	<b>HCP-81321317</b> TRIAC DIMMABLE	Ø70mm Cut-out	Fixed	
	<b>HCP-81341317</b> DALI DIMMABLE			
	<b>HCP-81321417</b> TRIAC DIMMABLE	Ø90mm Cut-out	Fixed	
	<b>HCP-81341417</b> DALI DIMMABLE			

2x 17 WATT ALUMINIUM WHITE				
	<b>HCP-81321117</b> TRIAC DIMMABLE	190x100mm Cut-out	20° Tilt	
	<b>HCP-81341117</b> DALI DIMMABLE			

3x 17 WATT ALUMINIUM WHITE				
	<b>HCP-81321217</b> TRIAC DIMMABLE	280x100mm Cut-out	20° Tilt	
	<b>HCP-81341217</b> DALI DIMMABLE			

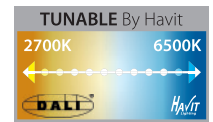
OPTIONAL ACCESSORIES		
	<b>HCP-80090-15</b>	15° REFLECTOR
	<b>HCP-80090-28</b>	28° REFLECTOR
	<b>HCP-80090-40</b>	40° REFLECTOR
	<b>HCP-80090-HC</b>	HONEYCOMB LENS




SCAN QR CODE FOR  
DETAILED PRODUCT  
SPECIFICATIONS

# 13W DALI TUNABLE DOWNLIGHTS

TUNABLE DIMMABLE DOWNLIGHTS	
MATERIAL	ALUMINIUM
COLOUR/FINISH	MATT BLACK
COLOUR TEMP	2700-6500K (CONTROLLED THROUGH DALI SYSTEM)
LUMEN OUTPUT	955LM - 1024LM
INPUT VOLTAGE	240V (REMOTE DRIVER)
BUILT IN LED	13W
DIMMING	DALI
CRI	90+
BEAM ANGLE	60°
TILT	SEE PRODUCT ORDERING TABLE BELOW
CUT OUT	SEE PRODUCT ORDERING TABLE BELOW
IC4-RATING	YES
IP RATING	IP44





## PRODUCT ORDERING

13 WATT ALUMINIUM BLACK				
	<b>HCP-81250113</b> DALI DIMMABLE	Ø90mm Cut-out	20° Tilt	
	<b>HCP-81250213</b> DALI DIMMABLE	Ø75mm Cut-out	20° Tilt	
	<b>HCP-81250313</b> DALI DIMMABLE	Ø76mm Cut-out	Fixed	
	<b>HCP-81250413</b> DALI DIMMABLE	Ø90mm Cut-out	Fixed	
	<b>HCP-81250513</b> DALI DIMMABLE	Ø90mm Cut-out	20° Tilt	
	<b>HCP-81250613</b> DALI DIMMABLE	Ø90mm Cut-out	20° Tilt	



# 13W DALI TUNABLE DOWNLIGHTS

13 WATT ALUMINIUM BLACK				
	<b>HCP-81250713</b> DALI DIMMABLE	Ø72mm Cut-out	Fixed	
	<b>HCP-81250813</b> DALI DIMMABLE	Ø92mm Cut-out	20° Tilt	
	<b>HCP-81250913</b> DALI DIMMABLE	Ø92mm Cut-out	20° Tilt	
	<b>HCP-81251013</b> DALI DIMMABLE	100x100mm Cut-out	20° Tilt	
	<b>HCP-81251313</b> DALI DIMMABLE	Ø70mm Cut-out	Fixed	
	<b>HCP-81251413</b> DALI DIMMABLE	Ø90mm Cut-out	Fixed	
2x 13 WATT ALUMINIUM BLACK				
	<b>HCP-81251113</b> DALI DIMMABLE	190x100mm Cut-out	20° Tilt	
3x 13 WATT ALUMINIUM BLACK				
	<b>HCP-81251213</b> DALI DIMMABLE	280x100mm Cut-out	20° Tilt	

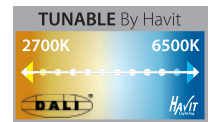
OPTIONAL ACCESSORIES		
	<b>HCP-80091-15</b>	15° REFLECTOR
	<b>HCP-80091-25</b>	25° REFLECTOR
	<b>HCP-80091-38</b>	38° REFLECTOR
	<b>HCP-80090-HC</b>	HONEYCOMB LENS



SCAN QR CODE FOR  
DETAILED PRODUCT  
SPECIFICATIONS

# 13W DALI TUNABLE DOWNLIGHTS

TUNABLE DIMMABLE DOWNLIGHTS	
MATERIAL	ALUMINIUM
COLOUR/FINISH	MATT WHITE
COLOUR TEMP	2700-6500K (CONTROLLED THROUGH DALI SYSTEM)
LUMEN OUTPUT	955LM - 1024LM
INPUT VOLTAGE	240V (REMOTE DRIVER)
BUILT IN LED	13W
DIMMING	DALI
CRI	90+
BEAM ANGLE	60°
TILT	SEE PRODUCT ORDERING TABLE BELOW
CUT OUT	SEE PRODUCT ORDERING TABLE BELOW
IC4-RATING	YES
IP RATING	IP44

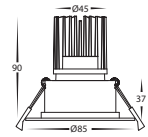
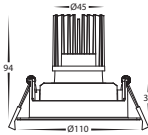

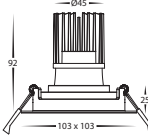

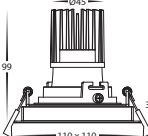

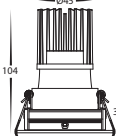
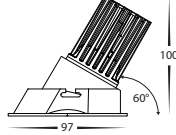


## PRODUCT ORDERING

13 WATT ALUMINIUM WHITE				
	<b>HCP-81350113</b> DALI DIMMABLE	Ø90mm Cut-out	20° Tilt	
	<b>HCP-81350213</b> DALI DIMMABLE	Ø75mm Cut-out	20° Tilt	
	<b>HCP-81350313</b> DALI DIMMABLE	Ø76mm Cut-out	Fixed	
	<b>HCP-81350413</b> DALI DIMMABLE	Ø90mm Cut-out	Fixed	
	<b>HCP-81350513</b> DALI DIMMABLE	Ø90mm Cut-out	20° Tilt	
	<b>HCP-81350613</b> DALI DIMMABLE	Ø90mm Cut-out	20° Tilt	

# 13W DALI TUNABLE DOWNLIGHTS

## 13 WATT ALUMINIUM WHITE

	<b>HCP-81350713</b> DALI DIMMABLE	Ø72mm Cut-out	Fixed	
	<b>HCP-81350813</b> DALI DIMMABLE	Ø92mm Cut-out	20° Tilt	
	<b>HCP-81350913</b> DALI DIMMABLE	Ø92mm Cut-out	20° Tilt	
	<b>HCP-81351013</b> DALI DIMMABLE	100x100mm Cut-out	20° Tilt	
	<b>HCP-81321313</b> DALI DIMMABLE	Ø70mm Cut-out	Fixed	
	<b>HCP-81321413</b> DALI DIMMABLE	Ø90mm Cut-out	Fixed	


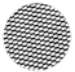
## 2x 13 WATT ALUMINIUM WHITE

	<b>HCP-81351113</b> DALI DIMMABLE	190x100mm Cut-out	20° Tilt	
---	--------------------------------------	----------------------	----------	---

## 3x 13 WATT ALUMINIUM WHITE

	<b>HCP-81351213</b> DALI DIMMABLE	280x100mm Cut-out	20° Tilt	
---	--------------------------------------	----------------------	----------	---

## OPTIONAL ACCESSORIES

	<b>HCP-80091-15</b>	15° REFLECTOR
	<b>HCP-80091-25</b>	25° REFLECTOR
	<b>HCP-80091-38</b>	38° REFLECTOR
	<b>HCP-80090-HC</b>	HONEYCOMB LENS


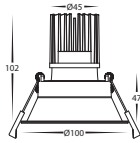

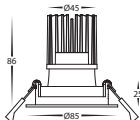

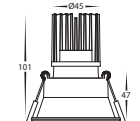

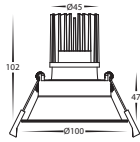

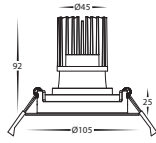

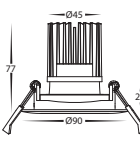



SCAN QR CODE FOR  
DETAILED PRODUCT  
SPECIFICATIONS


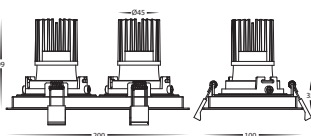
# 13W CRI97+ DOWNLIGHTS

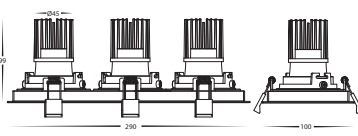
CRI97+ DIMMABLE DOWNLIGHTS	
MATERIAL	ALUMINIUM
COLOUR/FINISH	MATT BLACK
COLOUR TEMP	3000K
LUMEN OUTPUT	939LM
INPUT VOLTAGE	240V (REMOTE DRIVER)
BUILT IN LED	13W
DIMMING	TRIAC OR DALI
CRI	97+
BEAM ANGLE	60°
TILT	SEE PRODUCT ORDERING TABLE BELOW
CUT OUT	SEE PRODUCT ORDERING TABLE BELOW
IC4-RATING	YES
IP RATING	IP44


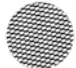
## PRODUCT ORDERING

13 WATT ALUMINIUM BLACK				
	<b>HCP-81220183</b> TRIAC DIMMABLE	Ø90mm Cut-out	20° Tilt	
	<b>HCP-81240183</b> DALI DIMMABLE			
	<b>HCP-81220283</b> TRIAC DIMMABLE	Ø75mm Cut-out	20° Tilt	
	<b>HCP-81240283</b> DALI DIMMABLE			
	<b>HCP-81220383</b> TRIAC DIMMABLE	Ø76mm Cut-out	Fixed	
	<b>HCP-81240383</b> DALI DIMMABLE			
	<b>HCP-81220483</b> TRIAC DIMMABLE	Ø90mm Cut-out	Fixed	
	<b>HCP-81240483</b> DALI DIMMABLE			
	<b>HCP-81220583</b> TRIAC DIMMABLE	Ø90mm Cut-out	20° Tilt	
	<b>HCP-81240583</b> DALI DIMMABLE			
	<b>HCP-81220683</b> TRIAC DIMMABLE	Ø90mm Cut-out	20° Tilt	
	<b>HCP-81240683</b> DALI DIMMABLE			

13 WATT ALUMINIUM BLACK				
	<b>HCP-81220783</b> TRIAC DIMMABLE	Ø72mm Cut-out	Fixed	
	<b>HCP-81240783</b> DALI DIMMABLE			
	<b>HCP-81220883</b> TRIAC DIMMABLE	Ø92mm Cut-out	20° Tilt	
	<b>HCP-81240883</b> DALI DIMMABLE			
	<b>HCP-81220983</b> TRIAC DIMMABLE	Ø92mm Cut-out	20° Tilt	
	<b>HCP-81240983</b> DALI DIMMABLE			
	<b>HCP-81221083</b> TRIAC DIMMABLE	100x100mm Cut-out	20° Tilt	
	<b>HCP-81241083</b> DALI DIMMABLE			
	<b>HCP-81221383</b> TRIAC DIMMABLE	Ø70mm Cut-out	Fixed	
	<b>HCP-81241383</b> DALI DIMMABLE			
	<b>HCP-81221483</b> TRIAC DIMMABLE	Ø90mm Cut-out	Fixed	
	<b>HCP-81241483</b> DALI DIMMABLE			

2x 13 WATT ALUMINIUM BLACK				
	<b>HCP-81221183</b> TRIAC DIMMABLE	190x100mm Cut-out	20° Tilt	
	<b>HCP-81241183</b> DALI DIMMABLE			

3x 13 WATT ALUMINIUM BLACK				
	<b>HCP-81221283</b> TRIAC DIMMABLE	280x100mm Cut-out	20° Tilt	
	<b>HCP-81241283</b> DALI DIMMABLE			

OPTIONAL ACCESSORIES		
	<b>HCP-80091-15</b>	15° REFLECTOR
	<b>HCP-80091-25</b>	25° REFLECTOR
	<b>HCP-80091-38</b>	38° REFLECTOR
	<b>HCP-80090-HC</b>	HONEYCOMB LENS


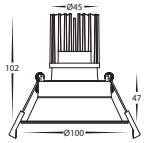

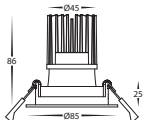

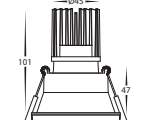

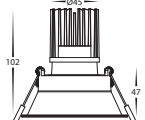

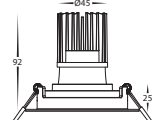

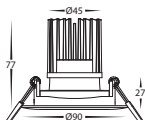


SCAN QR CODE FOR  
DETAILED PRODUCT  
SPECIFICATIONS

# 13W CRI97+ DOWNLIGHTS

CRI97+ DIMMABLE DOWNLIGHTS	
MATERIAL	ALUMINIUM
COLOUR/FINISH	MATT WHITE
COLOUR TEMP	3000K
LUMEN OUTPUT	939LM
INPUT VOLTAGE	240V (REMOTE DRIVER)
BUILT IN LED	13W
DIMMING	TRIAC OR DALI
CRI	97+
BEAM ANGLE	60°
TILT	SEE PRODUCT ORDERING TABLE BELOW
CUT OUT	SEE PRODUCT ORDERING TABLE BELOW
IC4-RATING	YES
IP RATING	IP44

## PRODUCT ORDERING


13 WATT ALUMINIUM WHITE				
	<b>HCP-81320183</b> TRIAC DIMMABLE	Ø90mm Cut-out	20° Tilt	
	<b>HCP-81340183</b> DALI DIMMABLE			
	<b>HCP-81320283</b> TRIAC DIMMABLE	Ø75mm Cut-out	20° Tilt	
	<b>HCP-81340283</b> DALI DIMMABLE			
	<b>HCP-81320383</b> TRIAC DIMMABLE	Ø76mm Cut-out	Fixed	
	<b>HCP-81340383</b> DALI DIMMABLE			
	<b>HCP-81320483</b> TRIAC DIMMABLE	Ø90mm Cut-out	Fixed	
	<b>HCP-81340483</b> DALI DIMMABLE			
	<b>HCP-81320583</b> TRIAC DIMMABLE	Ø90mm Cut-out	20° Tilt	
	<b>HCP-81340583</b> DALI DIMMABLE			
	<b>HCP-81320683</b> TRIAC DIMMABLE	Ø90mm Cut-out	20° Tilt	
	<b>HCP-81340683</b> DALI DIMMABLE			

13 WATT ALUMINIUM WHITE				
	<b>HCP-81320783</b> TRIAC DIMMABLE	Ø72mm Cut-out	Fixed	
	<b>HCP-81340783</b> DALI DIMMABLE			
	<b>HCP-81320883</b> TRIAC DIMMABLE	Ø92mm Cut-out	20° Tilt	
	<b>HCP-81340883</b> DALI DIMMABLE			
	<b>HCP-81320983</b> TRIAC DIMMABLE	Ø92mm Cut-out	20° Tilt	
	<b>HCP-81340983</b> DALI DIMMABLE			
	<b>HCP-81321083</b> TRIAC DIMMABLE	100x100mm Cut-out	20° Tilt	
	<b>HCP-81341083</b> DALI DIMMABLE			
	<b>HCP-81321383</b> TRIAC DIMMABLE	Ø70mm Cut-out	Fixed	
	<b>HCP-81341383</b> DALI DIMMABLE			
	<b>HCP-81321483</b> TRIAC DIMMABLE	Ø90mm Cut-out	Fixed	
	<b>HCP-81341483</b> DALI DIMMABLE			

2x 13 WATT ALUMINIUM WHITE				
	<b>HCP-81321183</b> TRIAC DIMMABLE	190x100mm Cut-out	20° Tilt	
	<b>HCP-81341183</b> DALI DIMMABLE			

3x 13 WATT ALUMINIUM WHITE				
	<b>HCP-81321283</b> TRIAC DIMMABLE	280x100mm Cut-out	20° Tilt	
	<b>HCP-81341283</b> DALI DIMMABLE			

OPTIONAL ACCESSORIES		
	<b>HCP-80091-15</b>	15° REFLECTOR
	<b>HCP-80091-25</b>	25° REFLECTOR
	<b>HCP-80091-38</b>	38° REFLECTOR
	<b>HCP-80090-HC</b>	HONEYCOMB LENS


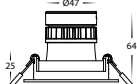






SCAN QR CODE FOR  
DETAILED PRODUCT  
SPECIFICATIONS

# 7.2W 24V DC DIMMABLE DOWNLIGHTS


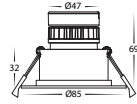

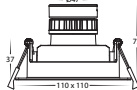

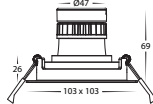

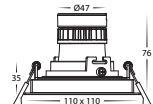

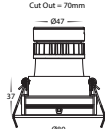

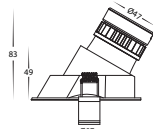

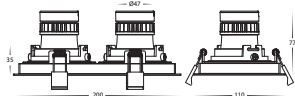

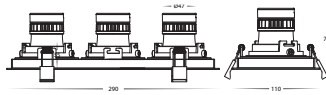
7.2w 24V DC DIMMABLE DOWNLIGHTS	
MATERIAL	ALUMINIUM
COLOUR/FINISH	MATT BLACK
COLOUR TEMP	3000K   4000K
LUMEN OUTPUT	540LM   555LM
INPUT VOLTAGE	24V DC (REQUIRES 24V DC LED DRIVER)
BUILT IN LED	7.2W
DIMMING	TRIAC OR DALI
CRI	90+
BEAM ANGLE	60°
TILT	SEE PRODUCT ORDERING TABLE BELOW
CUT OUT	SEE PRODUCT ORDERING TABLE BELOW
IC4-RATING	YES
IP RATING	IP44



## PRODUCT ORDERING

7.2 WATT ALUMINIUM BLACK				
	<b>HCP-81290137</b> 3000K	Ø90mm Cut-out	20° Tilt	
	<b>HCP-81290147</b> 4000K			
	<b>HCP-81290237</b> 3000K	Ø75mm Cut-out	20° Tilt	
	<b>HCP-81290247</b> 4000K			
	<b>HCP-81290337</b> 3000K	Ø76mm Cut-out	Fixed	
	<b>HCP-81290347</b> 4000K			
	<b>HCP-81290437</b> 3000K	Ø90mm Cut-out	Fixed	
	<b>HCP-81290447</b> 4000K			
	<b>HCP-81290537</b> 3000K	Ø90mm Cut-out	20° Tilt	
	<b>HCP-81290547</b> 4000K			
	<b>HCP-81290637</b> 3000K	Ø90mm Cut-out	20° Tilt	
	<b>HCP-81290647</b> 4000K			



# 7.2W 24V DC DIMMABLE DOWNLIGHTS

7.2 WATT ALUMINIUM BLACK				
	<b>HCP-81290737</b> 3000K	Ø72mm Cut-out	Fixed	
	<b>HCP-81290747</b> 4000K			
	<b>HCP-81290837</b> 3000K	Ø92mm Cut-out	20° Tilt	
	<b>HCP-81290847</b> 4000K			
	<b>HCP-81290937</b> 3000K	Ø92mm Cut-out	20° Tilt	
	<b>HCP-81290947</b> 4000K			
	<b>HCP-81291037</b> 3000K	100x100mm Cut-out	20° Tilt	
	<b>HCP-81291047</b> 4000K			
	<b>HCP-81291337</b> 3000K	Ø70mm Cut-out	Fixed	
	<b>HCP-81291347</b> 4000K			
	<b>HCP-81291437</b> 3000K	Ø90mm Cut-out	Fixed	
	<b>HCP-81291447</b> 4000K			
2x 7.2 WATT ALUMINIUM BLACK				
	<b>HCP-81291137</b> 3000K	190x100mm Cut-out	20° Tilt	
	<b>HCP-81291147</b> 4000K			
3x 7.2 WATT ALUMINIUM BLACK				
	<b>HCP-81291237</b> 3000K	280x100mm Cut-out	20° Tilt	
	<b>HCP-81291247</b> 4000K			

OPTIONAL ACCESSORIES		
	<b>HCP-80091-15</b>	15° REFLECTOR
	<b>HCP-80091-25</b>	25° REFLECTOR
	<b>HCP-80091-38</b>	38° REFLECTOR
	<b>HCP-80090-HC</b>	HONEYCOMB LENS


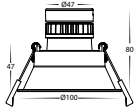

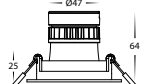







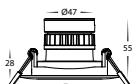


SCAN QR CODE FOR  
DETAILED PRODUCT  
SPECIFICATIONS


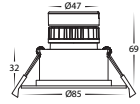

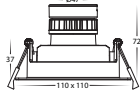

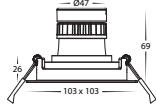

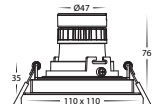

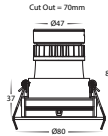

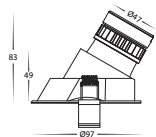

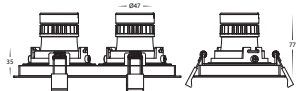

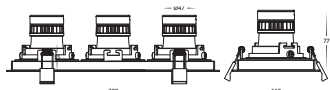
# 7.2W 24V DC DIMMABLE DOWNLIGHTS



7.2w 24V DC DIMMABLE DOWNLIGHTS	
MATERIAL	ALUMINIUM
COLOUR/FINISH	MATT WHITE
COLOUR TEMP	3000K   4000K
LUMEN OUTPUT	540LM   555LM
INPUT VOLTAGE	24V DC (REQUIRES 24V DC LED DRIVER)
BUILT IN LED	7.2W
DIMMING	TRIAC OR DALI
CRI	90+
BEAM ANGLE	60°
TILT	SEE PRODUCT ORDERING TABLE BELOW
CUT OUT	SEE PRODUCT ORDERING TABLE BELOW
IC4-RATING	YES
IP RATING	IP44

## PRODUCT ORDERING

7.2 WATT ALUMINIUM WHITE				
	<b>HCP-81390137</b> 3000K	Ø90mm Cut-out	20° Tilt	
	<b>HCP-81390147</b> 4000K			
	<b>HCP-81390237</b> 3000K	Ø75mm Cut-out	20° Tilt	
	<b>HCP-81390247</b> 4000K			
	<b>HCP-81390337</b> 3000K	Ø76mm Cut-out	Fixed	
	<b>HCP-81390347</b> 4000K			
	<b>HCP-81390437</b> 3000K	Ø90mm Cut-out	Fixed	
	<b>HCP-81390447</b> 4000K			
	<b>HCP-81390537</b> 3000K	Ø90mm Cut-out	20° Tilt	
	<b>HCP-81390547</b> 4000K			
	<b>HCP-81390637</b> 3000K	Ø90mm Cut-out	20° Tilt	
	<b>HCP-81390647</b> 4000K			

# 7.2W 24V DC DIMMABLE DOWNLIGHTS

7.2 WATT ALUMINIUM WHITE				
	<b>HCP-81390737</b> 3000K	Ø72mm Cut-out	Fixed	
	<b>HCP-81390747</b> 4000K			
	<b>HCP-81390837</b> 3000K	Ø92mm Cut-out	20° Tilt	
	<b>HCP-81390847</b> 4000K			
	<b>HCP-81390937</b> 3000K	Ø92mm Cut-out	20° Tilt	
	<b>HCP-81390947</b> 4000K			
	<b>HCP-81391037</b> 3000K	100x100mm Cut-out	20° Tilt	
	<b>HCP-81391047</b> 4000K			
	<b>HCP-81391337</b> 3000K	Ø70mm Cut-out	Fixed	
	<b>HCP-81391347</b> 4000K			
	<b>HCP-81391437</b> 3000K	Ø90mm Cut-out	Fixed	
	<b>HCP-81391447</b> 4000K			
2x 7.2 WATT ALUMINIUM WHITE				
	<b>HCP-81391137</b> 3000K	190x100mm Cut-out	20° Tilt	
	<b>HCP-81391147</b> 4000K			
3x 7.2 WATT ALUMINIUM WHITE				
	<b>HCP-81391237</b> 3000K	280x100mm Cut-out	20° Tilt	
	<b>HCP-81391247</b> 4000K			


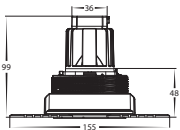

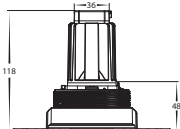

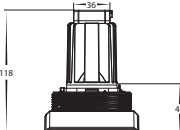

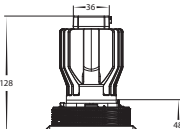

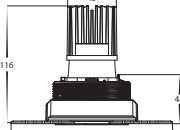




OPTIONAL ACCESSORIES		
	<b>HCP-80091-15</b>	15° REFLECTOR
	<b>HCP-80091-25</b>	25° REFLECTOR
	<b>HCP-80091-38</b>	38° REFLECTOR
	<b>HCP-80090-HC</b>	HONEYCOMB LENS



SCAN QR CODE FOR  
DETAILED PRODUCT  
SPECIFICATIONS

# TRIMLESS DIMMABLE DOWNLIGHTS

## PRODUCT ORDERING

FIVE COLOUR ALUMINIUM WHITE				
	<b>HCP-81329006</b> TRIAC DIMMABLE	2700K   3000K   4000K   5000K   5700K	274LM   279LM   300LM   318LM   325LM	
	<b>HCP-81329009</b> TRIAC DIMMABLE	2700K   3000K   4000K   5000K   5700K	647LM   653LM   734LM   750LM   769LM	
	<b>HCP-81349009</b> DALI DIMMABLE			
	<b>HCP-81329013</b> TRIAC DIMMABLE	2700K   3000K   4000K   5000K   5700K	980LM   965LM   959LM   1072LM   1089LM	
	<b>HCP-81349013</b> DALI DIMMABLE			
	<b>HCP-81329017</b> TRIAC DIMMABLE	2700K   3000K   4000K   5000K   5700K	1191LM   1202LM   1297LM   1365LM   1397LM	
	<b>HCP-81349017</b> DALI DIMMABLE			
DALI TUNABLE ALUMINIUM WHITE				
	<b>HCP-81359083</b> DALI DIMMABLE	2700K - 6500K	955LM - 1024LM	
CRI97+ ALUMINIUM WHITE				
	<b>HCP-81329083</b> TRIAC DIMMABLE	3000K	939LM	
	<b>HCP-81349083</b> DALI DIMMABLE			
7.2W 24V DC ALUMINIUM WHITE				
	<b>HCP-81399037</b>	3000K	540LM	
	<b>HCP-81399047</b>	4000K	555LM	

# TRIMLESS DIMMABLE DOWNLIGHTS

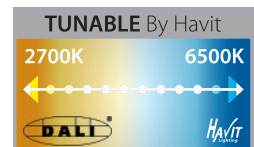


TRIMLESS DIMMABLE DOWNLIGHTS	
MATERIAL	PC + ALUMINIUM
COLOUR/FINISH	MATT WHITE
COLOUR TEMP	SEE PRODUCT ORDERING TABLE BELOW
LUMEN OUTPUT	SEE PRODUCT ORDERING TABLE BELOW
INPUT VOLTAGE	240V OR 24V DC
BUILT IN LED	7.2W
DIMMING	TRIAC OR DALI
CRI	90+
BEAM ANGLE	60°
TILT	20°
CUT OUT	Ø90MM
IC4-RATING	YES
IP RATING	IP44



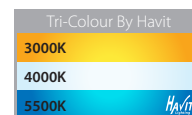
SCAN QR CODE FOR  
DETAILED PRODUCT  
SPECIFICATIONS


OPTIONAL ACCESSORIES		
	<b>HCP-82322-BR</b>	BLACK INSERT
	<b>HCP-82322-GR</b>	GOLD INSERT
	<b>HCP-82322-HC</b>	HONEYCOMB LENS
5 COLOUR REFLECTORS		
	<b>HCP-80090-15</b>	15° Reflector
	<b>HCP-80090-28</b>	28° Reflector
	<b>HCP-80090-40</b>	40° Reflector
TUNABLE   CRI97+   24V DC REFLECTORS		
	<b>HCP-80091-15</b>	15° Reflector
	<b>HCP-80091-25</b>	25° Reflector
	<b>HCP-80091-38</b>	38° Reflector



# 9W TRICOLOUR DIMMABLE DOWNLIGHTS


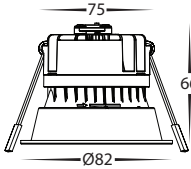



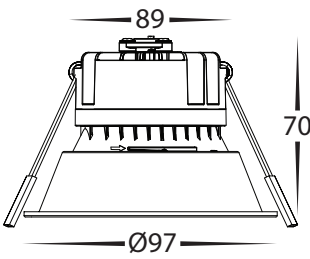



TRI COLOUR DIMMABLE DOWNLIGHTS	
MATERIAL	ALUMINIUM + PC
COLOUR/FINISH	MATT BLACK
COLOUR TEMP	3000K   4000K   5500K
LUMEN OUTPUT	680LM   795LM   745LM
INPUT VOLTAGE	240V (REMOTE DRIVER)
BUILT IN LED	9W
DIMMING	DALI
CRI	80+
BEAM ANGLE	90°
TILT	NO
CUT OUT	SEE PRODUCT ORDERING TABLE BELOW
IC4-RATING	YES
IP RATING	IP54





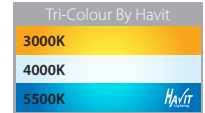
**SCAN QR CODE FOR DETAILED PRODUCT SPECIFICATIONS**

## PRODUCT ORDERING

9 WATT ALUMINIUM BLACK				
	<b>HCP-81241901</b> DALI DIMMABLE	Ø76mm Cut-out	FIXED	
	<b>HCP-81241903</b> DALI DIMMABLE	Ø76mm Cut-out	FIXED	
	<b>HCP-81241904</b> DALI DIMMABLE	Ø76mm Cut-out	FIXED	
	<b>HCP-81241905</b> DALI DIMMABLE	Ø90mm Cut-out	FIXED	
	<b>HCP-81241907</b> DALI DIMMABLE	Ø90mm Cut-out	FIXED	
	<b>HCP-81241908</b> DALI DIMMABLE	Ø90mm Cut-out	FIXED	
	<b>HCP-81241909</b> DALI DIMMABLE	Ø90mm Cut-out	FIXED	

# 9W TRICOLOUR DIMMABLE DOWNLIGHTS

TRI COLOUR DIMMABLE DOWNLIGHTS	
MATERIAL	ALUMINIUM + PC
COLOUR/FINISH	MATT WHITE
COLOUR TEMP	3000K   4000K   5500K
LUMEN OUTPUT	680LM   795LM   745LM
INPUT VOLTAGE	240V (REMOTE DRIVER)
BUILT IN LED	9W
DIMMING	DALI
CRI	80+
BEAM ANGLE	90°
TILT	NO
CUT OUT	SEE PRODUCT ORDERING TABLE BELOW
IC4-RATING	YES
IP RATING	IP54



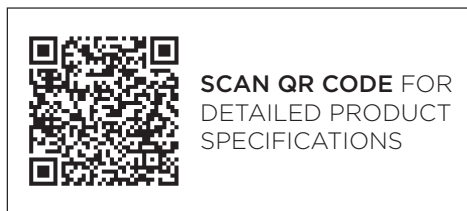
SCAN QR CODE FOR  
DETAILED PRODUCT  
SPECIFICATIONS

## PRODUCT ORDERING


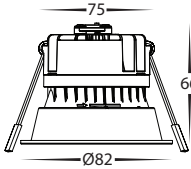



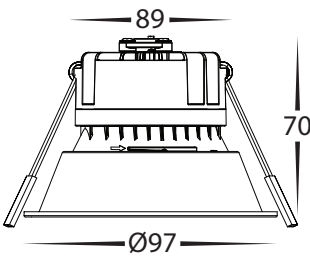



9 WATT ALUMINIUM WHITE				
	<b>HCP-81341901</b> DALI DIMMABLE	Ø76mm Cut-out	FIXED	
	<b>HCP-81341902</b> DALI DIMMABLE	Ø76mm Cut-out	FIXED	
	<b>HCP-81341903</b> DALI DIMMABLE	Ø76mm Cut-out	FIXED	
	<b>HCP-81341904</b> DALI DIMMABLE	Ø76mm Cut-out	FIXED	
	<b>HCP-81341905</b> DALI DIMMABLE	Ø90mm Cut-out	FIXED	
	<b>HCP-81341906</b> DALI DIMMABLE	Ø90mm Cut-out	FIXED	
	<b>HCP-81341907</b> DALI DIMMABLE	Ø90mm Cut-out	FIXED	
	<b>HCP-81341908</b> DALI DIMMABLE	Ø90mm Cut-out	FIXED	
	<b>HCP-81341909</b> DALI DIMMABLE	Ø90mm Cut-out	FIXED	

# 9W DIM TO WARM DIMMABLE DOWNLIGHTS

DIM TO WARM DIMMABLE DOWNLIGHTS	
MATERIAL	ALUMINIUM + PC
COLOUR/FINISH	MATT BLACK
COLOUR TEMP	1800K - 3000K
LUMEN OUTPUT	685LM
INPUT VOLTAGE	240V (REMOTE DRIVER)
BUILT IN LED	9W
DIMMING	DALI
CRI	80+
BEAM ANGLE	90°
TILT	NO
CUT OUT	SEE PRODUCT ORDERING TABLE BELOW
IC4-RATING	YES
IP RATING	IP54



## PRODUCT ORDERING

9 WATT ALUMINIUM BLACK				
	<b>HCP-81241911</b> DALI DIMMABLE	Ø76mm Cut-out	FIXED	
	<b>HCP-81241913</b> DALI DIMMABLE	Ø76mm Cut-out	FIXED	
	<b>HCP-81241914</b> DALI DIMMABLE	Ø76mm Cut-out	FIXED	
	<b>HCP-81241915</b> DALI DIMMABLE	Ø90mm Cut-out	FIXED	
	<b>HCP-81241917</b> DALI DIMMABLE	Ø90mm Cut-out	FIXED	
	<b>HCP-81241918</b> DALI DIMMABLE	Ø90mm Cut-out	FIXED	
	<b>HCP-81241919</b> DALI DIMMABLE	Ø90mm Cut-out	FIXED	




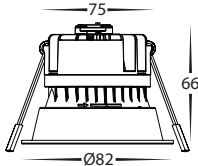




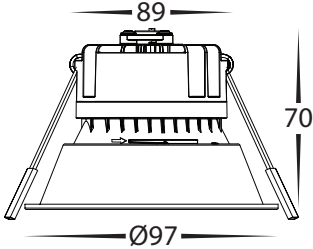




# 9W DIM TO WARM DIMMABLE DOWNLIGHTS

DIM TO WARM DIMMABLE DOWNLIGHTS	
MATERIAL	ALUMINIUM + PC
COLOUR/FINISH	MATT WHITE
COLOUR TEMP	1800K - 3000K
LUMEN OUTPUT	685LM
INPUT VOLTAGE	240V (REMOTE DRIVER)
BUILT IN LED	9W
DIMMING	DALI
CRI	80+
BEAM ANGLE	90°
TILT	NO
CUT OUT	SEE PRODUCT ORDERING TABLE BELOW
IC4-RATING	YES
IP RATING	IP54

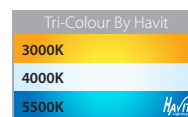


SCAN QR CODE FOR  
DETAILED PRODUCT  
SPECIFICATIONS

## PRODUCT ORDERING

9 WATT ALUMINIUM WHITE				
	<b>HCP-81341911</b> DALI DIMMABLE	Ø76mm Cut-out	FIXED	
	<b>HCP-81341912</b> DALI DIMMABLE	Ø76mm Cut-out	FIXED	
	<b>HCP-81341913</b> DALI DIMMABLE	Ø76mm Cut-out	FIXED	
	<b>HCP-81341914</b> DALI DIMMABLE	Ø76mm Cut-out	FIXED	
	<b>HCP-81341915</b> DALI DIMMABLE	Ø90mm Cut-out	FIXED	
	<b>HCP-81341916</b> DALI DIMMABLE	Ø90mm Cut-out	FIXED	
	<b>HCP-81341917</b> DALI DIMMABLE	Ø90mm Cut-out	FIXED	
	<b>HCP-81341918</b> DALI DIMMABLE	Ø90mm Cut-out	FIXED	
	<b>HCP-81341919</b> DALI DIMMABLE	Ø90mm Cut-out	FIXED	

# 12W DIMMABLE RECESSED DOWNLIGHTS



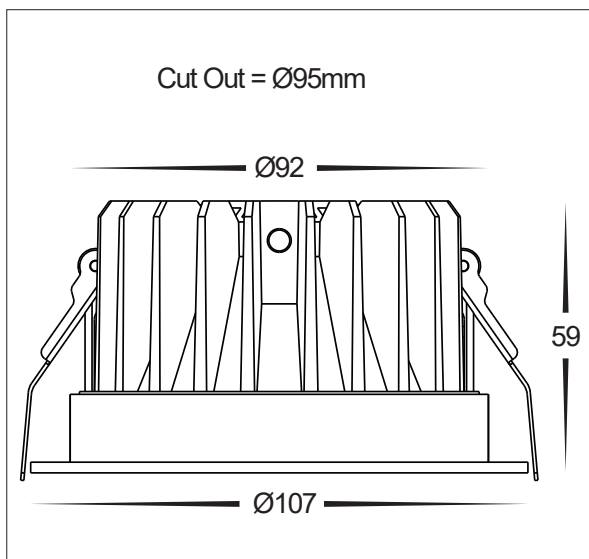
## PRODUCT DATA

12W DIMMABLE DOWNLIGHTS	
MATERIAL	ALUMINIUM OR 316 STAINLESS STEEL
COLOUR/FINISH	MATT WHITE, MATT BLACK AND STAINLESS STEEL
COLOUR TEMP	3000K   4000K   5500K (TRI-COLOUR)
LUMEN OUTPUT	1100LM   1200LM   1150LM
INPUT VOLTAGE	240V (REMOTE DRIVER)
BUILT IN LED	12W
DIMMING	TRIAC OR DALI DIMMING
CRI	90+
BEAM ANGLE	60°
TILT	NO
CUT OUT	95MM
IC4-RATING	YES
IP RATING	IP65 - FITTING ONLY

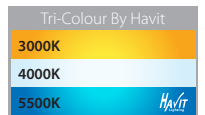
## PRODUCT ORDERING

316 STAINLESS STEEL				
	<b>HCP-81122112</b> (TRIAC DIMMABLE)	12W LED	3000K 4000K 5500K	1100LM 1200LM 1150LM
	<b>HCP-81142112</b> (DALI DIMMABLE)			
ALUMINIUM BLACK				
	<b>HCP-81222112</b> (TRIAC DIMMABLE)	12W LED	3000K 4000K 5500K	1100LM 1200LM 1150LM
	<b>HCP-81242112</b> (DALI DIMMABLE)			
ALUMINIUM WHITE				
	<b>HCP-81322112</b> (TRIAC DIMMABLE)	12W LED	3000K 4000K 5500K	1100LM 1200LM 1150LM
	<b>HCP-81342112</b> (DALI DIMMABLE)			

## OTHER DATA



# 18W DIMMABLE RECESSED DOWNLIGHTS



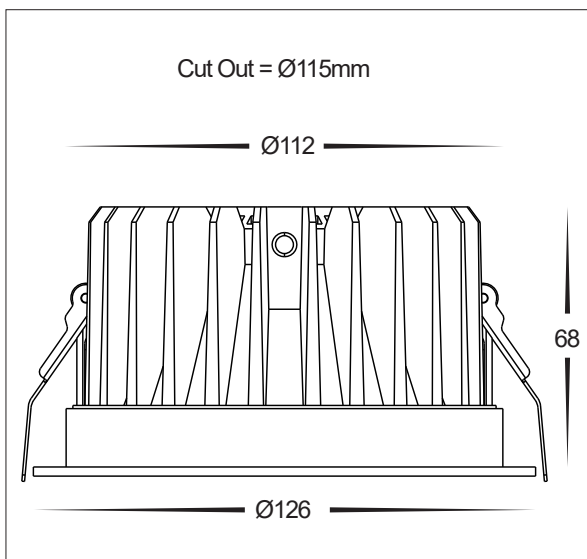
## PRODUCT DATA

18W DIMMABLE DOWNLIGHTS	
MATERIAL	ALUMINIUM OR 316 STAINLESS STEEL
COLOUR/FINISH	MATT WHITE, MATT BLACK AND STAINLESS STEEL
COLOUR TEMP	3000K   4000K   5500K (TRI-COLOUR)
LUMEN OUTPUT	1700LM   1800LM   1750LM
INPUT VOLTAGE	240V (REMOTE DRIVER)
BUILT IN LED	18W
DIMMING	TRIAC OR DALI DIMMING
CRI	90+
BEAM ANGLE	60°
TILT	NO
CUT OUT	115MM
IC4-RATING	YES
IP RATING	IP65 - FITTING ONLY

## PRODUCT ORDERING

316 STAINLESS STEEL				
	<b>HCP-81122118</b> (TRIAC DIMMABLE)	18W LED	3000K 4000K 5500K	1700LM 1800LM 1750LM
	<b>HCP-81142118</b> (DALI DIMMABLE)			
ALUMINIUM BLACK				
	<b>HCP-81222118</b> (TRIAC DIMMABLE)	12W LED	3000K 4000K 5500K	1100LM 1200LM 1150LM
	<b>HCP-81242118</b> (DALI DIMMABLE)			
ALUMINIUM WHITE				
	<b>HCP-81322118</b> (TRIAC DIMMABLE)	18W LED	3000K 4000K 5500K	1700LM 1800LM 1750LM
	<b>HCP-81342118</b> (DALI DIMMABLE)			

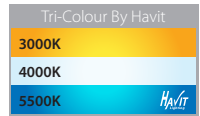
## OTHER DATA



18

LED DOWNLIGHTS

# 28W DIMMABLE RECESSED DOWNLIGHTS



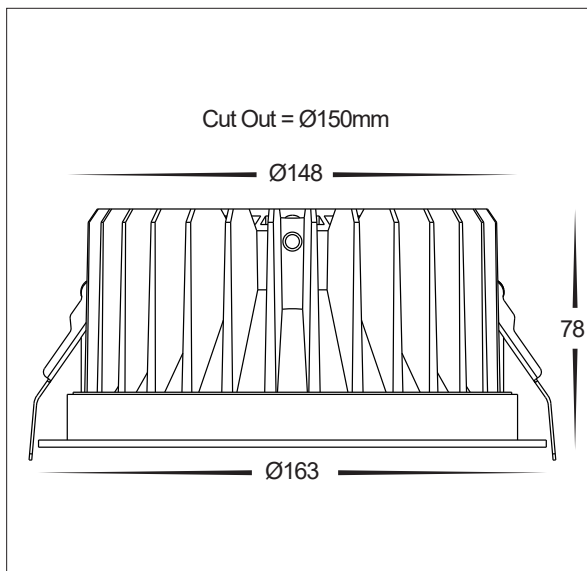
## PRODUCT DATA

28W DIMMABLE DOWNLIGHTS	
MATERIAL	ALUMINIUM OR 316 STAINLESS STEEL
COLOUR/FINISH	MATT WHITE, MATT BLACK AND STAINLESS STEEL
COLOUR TEMP	3000K   4000K   5500K (TRI-COLOUR)
LUMEN OUTPUT	3100LM   3200LM   3150LM
INPUT VOLTAGE	240V (REMOTE DRIVER)
BUILT IN LED	28W
DIMMING	TRIAC OR DALI DIMMING
CRI	90+
BEAM ANGLE	60°
TILT	NO
CUT OUT	150MM
IC4-RATING	YES
IP RATING	IP65 - FITTING ONLY

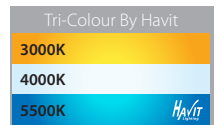
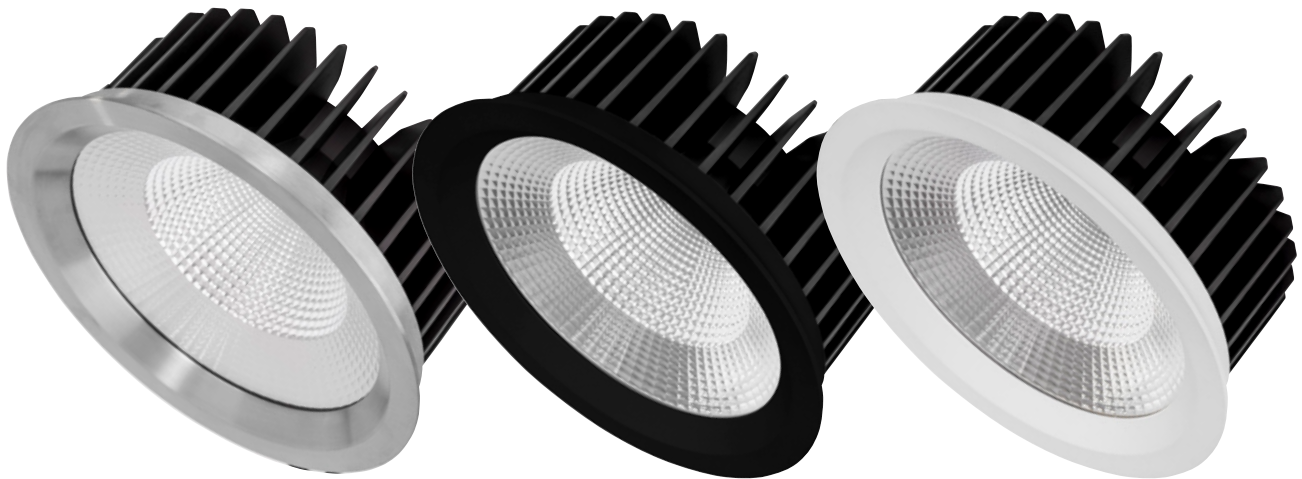
## PRODUCT ORDERING

316 STAINLESS STEEL				
	<b>HCP-81122128</b> (TRIAC DIMMABLE)	28W LED	3000K 4000K 5500K	3100LM 3200LM 3150LM
	<b>HCP-81142128</b> (DALI DIMMABLE)			
ALUMINIUM BLACK				
	<b>HCP-81222128</b> (TRIAC DIMMABLE)	28W LED	3000K 4000K 5500K	3100LM 3200LM 3150LM
	<b>HCP-81242128</b> (DALI DIMMABLE)			
ALUMINIUM WHITE				
	<b>HCP-81322128</b> (TRIAC DIMMABLE)	28W LED	3000K 4000K 5500K	3100LM 3200LM 3150LM
	<b>HCP-81342128</b> (DALI DIMMABLE)			

## OTHER DATA



# 38W DIMMABLE RECESSED DOWNLIGHTS



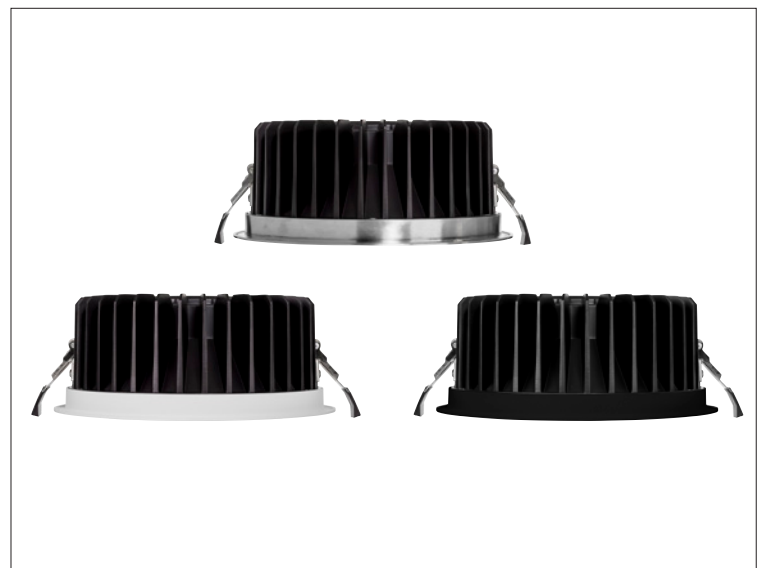
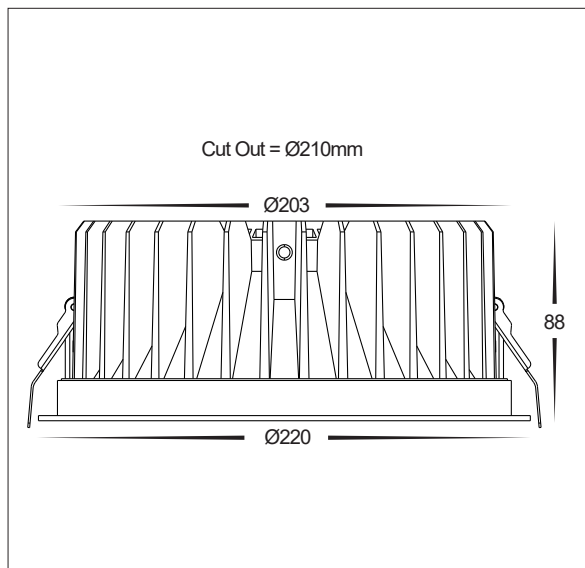
## PRODUCT DATA

38W DIMMABLE DOWNLIGHTS	
MATERIAL	ALUMINIUM OR 316 STAINLESS STEEL
COLOUR/FINISH	MATT WHITE, MATT BLACK AND STAINLESS STEEL
COLOUR TEMP	3000K   4000K   5500K (TRI-COLOUR)
LUMEN OUTPUT	4100LM   4200LM   4150LM
INPUT VOLTAGE	240V (REMOTE DRIVER)
BUILT IN LED	38W
DIMMING	TRIAC OR DALI DIMMING
CRI	90+
BEAM ANGLE	60°
TILT	NO
CUT OUT	210MM
IC4-RATING	YES
IP RATING	IP65 - FITTING ONLY

## PRODUCT ORDERING

316 STAINLESS STEEL				
	<b>HCP-81122138</b> (TRIAC DIMMABLE)	38W LED	3000K 4000K 5500K	4100LM 4200LM 4150LM
	<b>HCP-81142138</b> (DALI DIMMABLE)			
ALUMINIUM BLACK				
	<b>HCP-81222138</b> (TRIAC DIMMABLE)	38W LED	3000K 4000K 5500K	4100LM 4200LM 4150LM
	<b>HCP-81242138</b> (DALI DIMMABLE)			
ALUMINIUM WHITE				
	<b>HCP-81322138</b> (TRIAC DIMMABLE)	38W LED	3000K 4000K 5500K	4100LM 4200LM 4150LM
	<b>HCP-81342138</b> (DALI DIMMABLE)			

## OTHER DATA



# 7W DIMMABLE RECESSED DOWNLIGHTS





## PRODUCT DATA

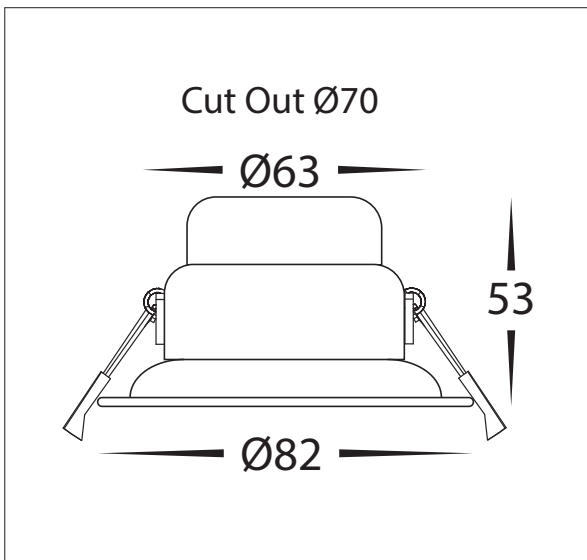
7W FIXED RECESSED DOWNLIGHTS	
MATERIAL	ALUMINIUM
COLOUR/FINISH	MATT BLACK OR MATT WHITE
COLOUR TEMP	2700K   3000K   4000K   5000K   5700K (5-COLOUR)
LUMEN OUTPUT	288LM   322LM   343LM   359LM   361LM
INPUT VOLTAGE	240V AC (REMOTE DRIVER)
BUILT IN LED	7W
DIMMING	TRIAC
CRI	90+
BEAM ANGLE	60°
TILT	NO
CUT OUT	70MM
IC4-RATING	YES
IP RATING	IP20



## PRODUCT ORDERING

ALUMINIUM BLACK & WHITE				
 	<b>HCP-8150702</b>	7W LED	2700K 3000K 4000K 5000K 5700K	288LM 322LM 343LM 359LM 361LM

## OTHER DATA



# 12W DIMMABLE RECESSED DOWNLIGHTS





## PRODUCT DATA

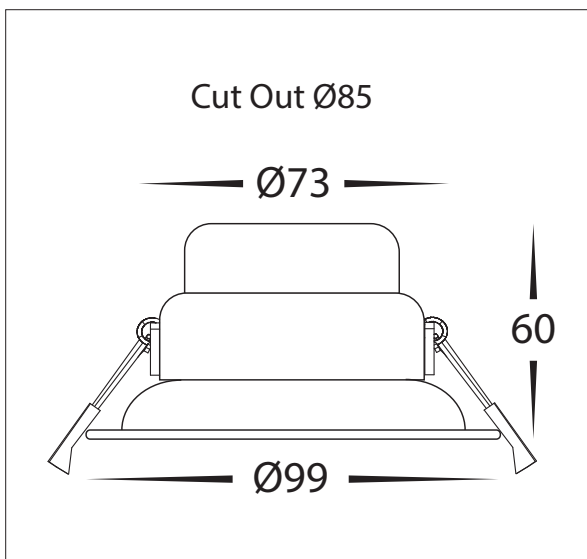
12W FIXED RECESSED DOWNLIGHTS	
MATERIAL	ALUMINIUM
COLOUR/FINISH	MATT BLACK OR MATT WHITE
COLOUR TEMP	2700K   3000K   4000K   5000K   5700K (5-COLOUR)
LUMEN OUTPUT	476LM   508LM   546LM   568LM   544LM
INPUT VOLTAGE	240V AC (REMOTE DRIVER)
BUILT IN LED	12W
DIMMING	TRIAC
CRI	90+
BEAM ANGLE	60°
TILT	NO
CUT OUT	85MM
IC4-RATING	YES
IP RATING	IP20



## PRODUCT ORDERING

ALUMINIUM BLACK & WHITE				
	<b>HCP-8151202</b>	12W LED	2700K	476LM
			3000K	508LM
			4000K	546LM
			5000K	568LM
			5700K	544LM

## OTHER DATA



# 18W DIMMABLE RECESSED DOWNLIGHTS





## PRODUCT DATA

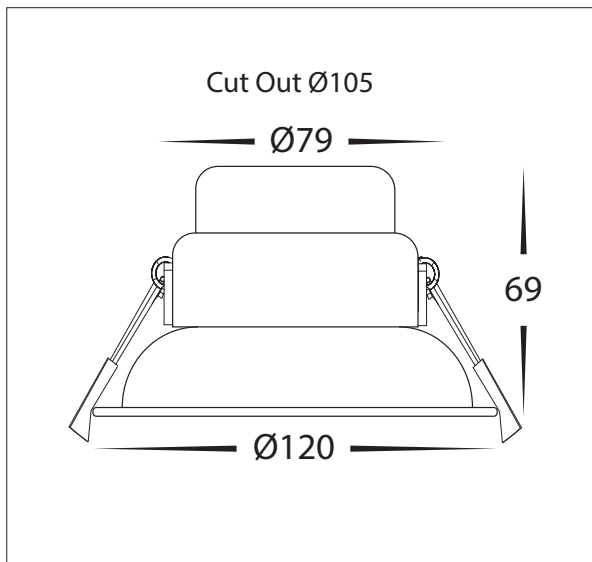
18W FIXED RECESSED DOWNLIGHTS	
MATERIAL	ALUMINIUM
COLOUR/FINISH	MATT BLACK OR MATT WHITE
COLOUR TEMP	2700K   3000K   4000K   5000K   5700K (5-COLOUR)
LUMEN OUTPUT	907LM   962LM   1015LM   1045LM   1052LM
INPUT VOLTAGE	240V AC (REMOTE DRIVER)
BUILT IN LED	18W
DIMMING	TRIAC
CRI	90+
BEAM ANGLE	60°
TILT	NO
CUT OUT	105MM
IC4-RATING	YES
IP RATING	IP20



## PRODUCT ORDERING

ALUMINIUM BLACK & WHITE				
	<b>HCP-8151802</b>	18W LED	2700K	907LM
			3000K	962LM
			4000K	1015LM
			5000K	1045LM
			5700K	1052LM

## OTHER DATA





# 24W DIMMABLE RECESSED DOWNLIGHTS





## PRODUCT DATA

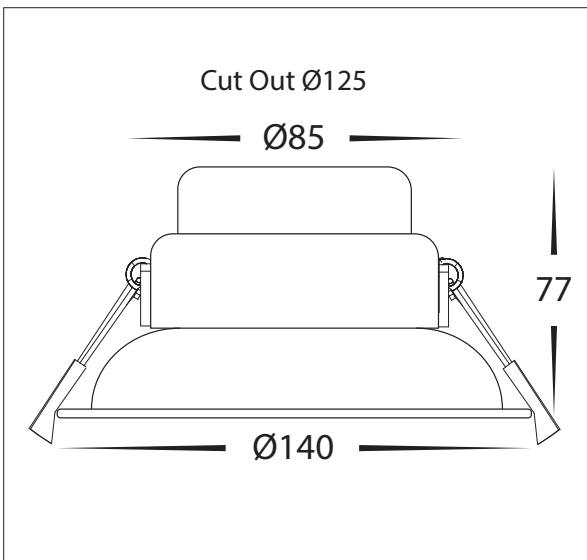
24W FIXED RECESSED DOWNLIGHTS	
MATERIAL	ALUMINIUM
COLOUR/FINISH	MATT BLACK OR MATT WHITE
COLOUR TEMP	2700K   3000K   4000K   5000K   5700K (5-COLOUR)
LUMEN OUTPUT	1150LM   1154LM   1221LM   1235LM   1231LM
INPUT VOLTAGE	240V AC (REMOTE DRIVER)
BUILT IN LED	24W
DIMMING	TRIAC
CRI	90+
BEAM ANGLE	60°
TILT	NO
CUT OUT	125MM
IC4-RATING	YES
IP RATING	IP20



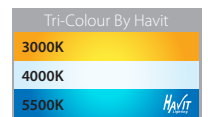
## PRODUCT ORDERING

ALUMINIUM BLACK & WHITE				
	<b>HCP-8152402</b>	24W LED	2700K	1150LM
			3000K	1154LM
			4000K	1221LM
			5000K	1235LM
			5700K	1231LM

## OTHER DATA





# 7W TILT DALI DIMMABLE SURFACE MOUNTED DOWNLIGHTS



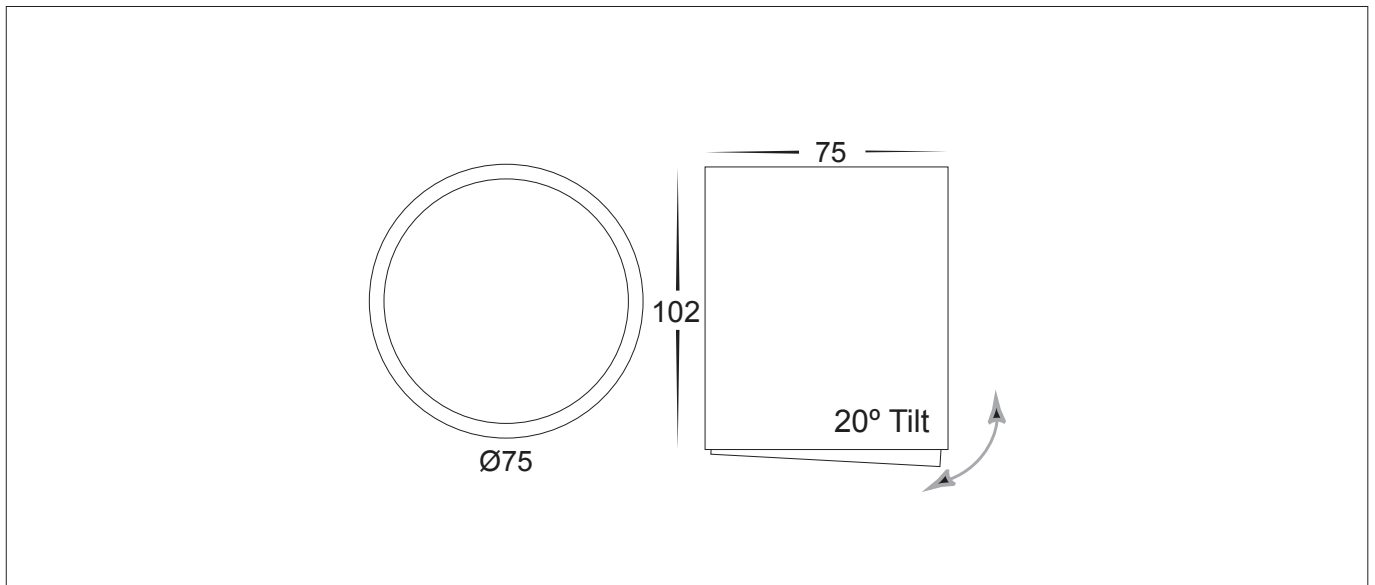
## PRODUCT DATA

7W DALI DIMMABLE DOWNLIGHTS	
MATERIAL	ALUMINIUM
COLOUR/FINISH	MATT BLACK OR MATT WHITE
COLOUR TEMP.	3000K   4000K   5500K (TRI-COLOUR)
LUMEN OUTPUT	604LM   641LM   708LM
INPUT VOLTAGE	240v AC (REMOTE DRIVER)
BUILT-IN LED	7w
DIMMING	DALI DIMMABLE
CRI	RA >90
BEAM ANGLE	60°
TILT	20°
IP RATING	IP20

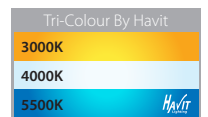
## PRODUCT ORDERING

ALUMINIUM BLACK				
	<b>HCP-8020704</b>	7W LED	3000K 4000K 5500K	604LM 641LM 708LM
ALUMINIUM WHITE				
	<b>HCP-8030704</b>	7W LED	3000K 4000K 5500K	604LM 641LM 708LM

## OTHER DATA





# 12W TILT DALI DIMMABLE SURFACE MOUNTED DOWNLIGHTS



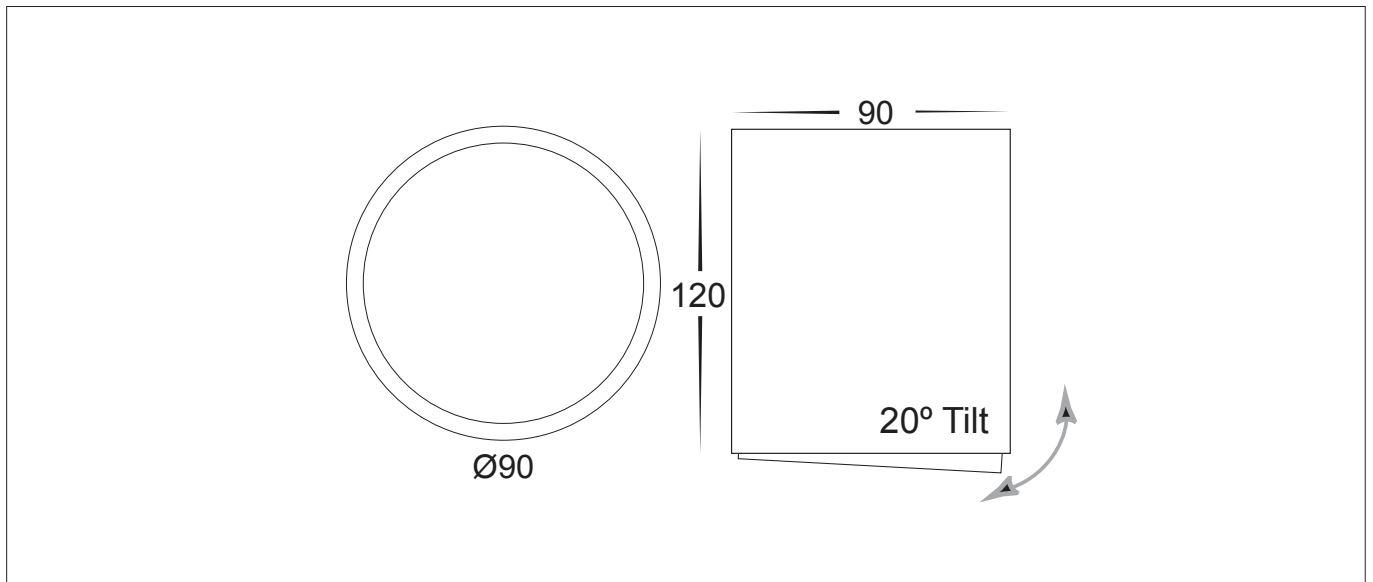
## PRODUCT DATA

12W DALI DIMMABLE DOWNLIGHTS	
MATERIAL	ALUMINIUM
COLOUR/FINISH	MATT BLACK OR MATT WHITE
COLOUR TEMP.	3000K   4000K   5500K (TRI-COLOUR)
LUMEN OUTPUT	989LM   1021LM   1024LM
INPUT VOLTAGE	240v AC (REMOTE DRIVER)
BUILT-IN LED	12w
DIMMING	DALI DIMMABLE
CRI	RA >90
BEAM ANGLE	60°
TILT	20°
IP RATING	IP20

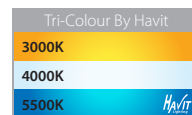
## PRODUCT ORDERING

ALUMINIUM BLACK				
	<b>HCP-8021204</b>	12W LED	3000K 4000K 5500K	989LM 1021LM 1024LM
ALUMINIUM WHITE				
	<b>HCP-8031204</b>	12W LED	3000K 4000K 5500K	989LM 1021LM 1024LM

## OTHER DATA





# 18W TILT DALI DIMMABLE SURFACE MOUNTED DOWNLIGHTS



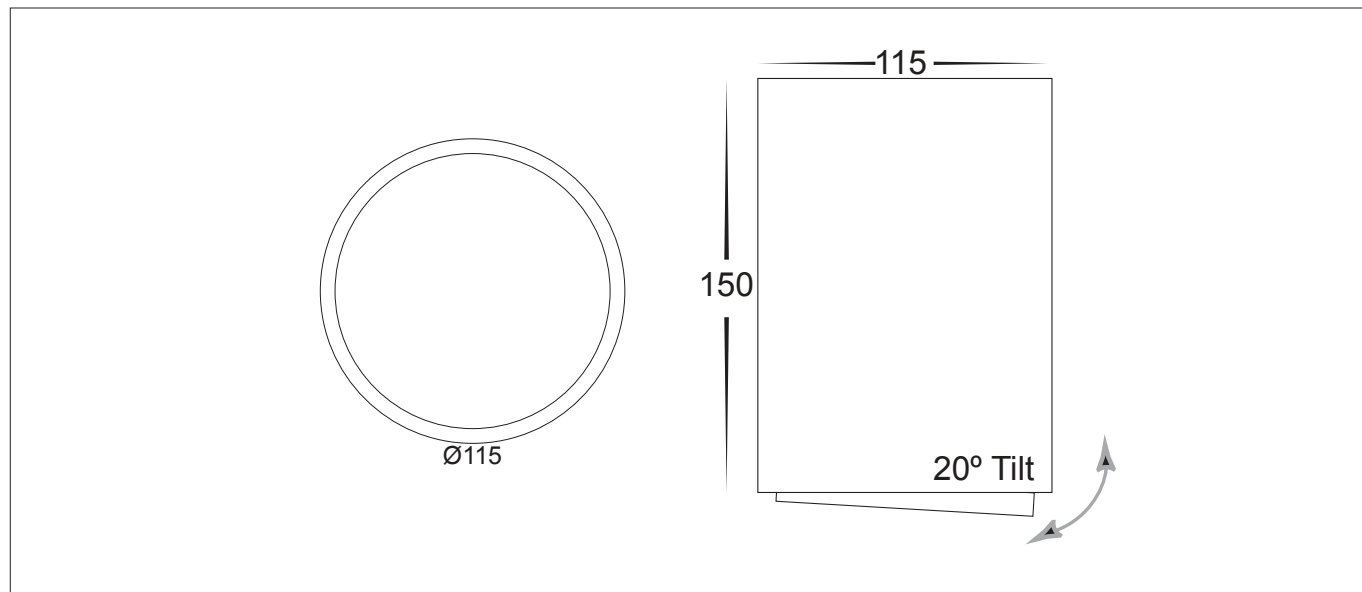
## PRODUCT DATA

18W DALI DIMMABLE DOWNLIGHTS	
MATERIAL	ALUMINIUM
COLOUR/FINISH	MATT BLACK OR MATT WHITE
COLOUR TEMP.	3000K   4000K   5500K (TRI-COLOUR)
LUMEN OUTPUT	1104LM   1199LM   1404LM
INPUT VOLTAGE	240v AC
BUILT-IN LED	18w
DIMMING	DALI DIMMABLE
CRI	RA >90
BEAM ANGLE	60°
TILT	20°
IP RATING	IP20

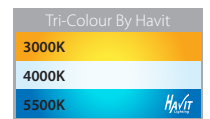
## PRODUCT ORDERING

ALUMINIUM BLACK				
	<b>HCP-8021804</b>	18W LED	3000K 4000K 5500K	1104LM 1199LM 1404LM
ALUMINIUM WHITE				
	<b>HCP-8031804</b>	18W LED	3000K 4000K 5500K	1104LM 1199LM 1404LM

## OTHER DATA



# 7W ROTATABLE DALI DIMMABLE SURFACE MOUNTED DOWNLIGHTS



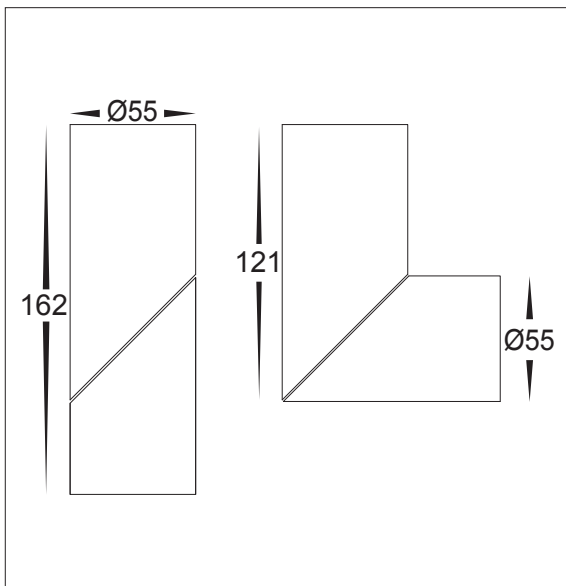
## PRODUCT DATA

7W DALI DIMMABLE DOWNLIGHTS	
MATERIAL	ALUMINIUM
COLOUR/FINISH	MATT BLACK OR MATT WHITE
COLOUR TEMP.	3000K   4000K   5500K (TRI-COLOUR)
LUMEN OUTPUT	604LM   641LM   708LM
INPUT VOLTAGE	240v AC (REMOTE DRIVER)
BUILT-IN LED	7w
DIMMING	DALI DIMMABLE
CRI	RA >90
BEAM ANGLE	36°
ROTATION	350°
IP RATING	IP54

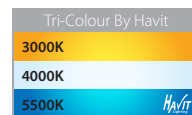
## PRODUCT ORDERING

ALUMINIUM BLACK				
	<b>HCP-8820704</b>	7W LED	3000K 4000K 5500K	604LM 641LM 708LM
ALUMINIUM WHITE				
	<b>HCP-8830704</b>	7W LED	3000K 4000K 5500K	604LM 641LM 708LM

## OTHER DATA



# 12W ROTATABLE DALI DIMMABLE SURFACE MOUNTED DOWNLIGHTS



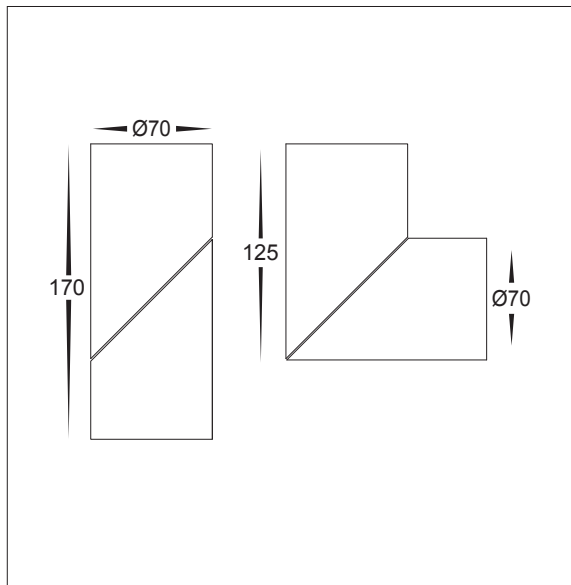
## PRODUCT DATA

12W DALI DIMMABLE DOWNLIGHTS	
MATERIAL	ALUMINIUM
COLOUR/FINISH	MATT BLACK OR MATT WHITE
COLOUR TEMP.	3000K   4000K   5500K (TRI-COLOUR)
LUMEN OUTPUT	790LM   855LM   881LM
INPUT VOLTAGE	240v AC (REMOTE DRIVER)
BUILT-IN LED	12w
DIMMING	DALI DIMMABLE
CRI	RA >90
BEAM ANGLE	36°
ROTATION	350°
IP RATING	IP54

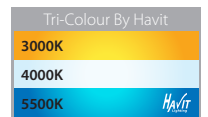
## PRODUCT ORDERING

ALUMINIUM BLACK				
	<b>HCP-8821204</b>	12W LED	3000K 4000K 5500K	790LM 855LM 881LM
ALUMINIUM WHITE				
	<b>HCP-8831204</b>	12W LED	3000K 4000K 5500K	790LM 855LM 881LM

## OTHER DATA



# 18W ROTATABLE DALI DIMMABLE SURFACE MOUNTED DOWNLIGHTS



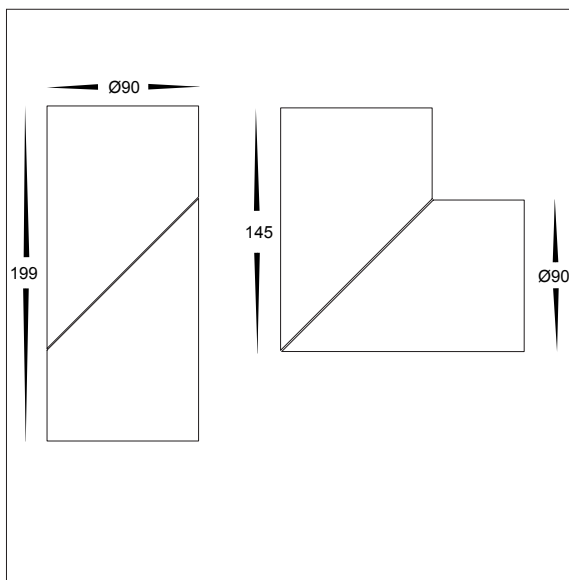
## PRODUCT DATA

18W DALI DIMMABLE DOWNLIGHTS	
MATERIAL	ALUMINIUM
COLOUR/FINISH	MATT BLACK OR MATT WHITE
COLOUR TEMP	3000K   4000K   5500K (TRI-COLOUR)
LUMEN OUTPUT	1480LM   1600LM   1485LM
INPUT VOLTAGE	240V
BUILT IN LED	18W
DIMMING	DALI DIMMABLE
CRI	RA >90
BEAM ANGLE	60°
ROTATION	350°
IP RATING	IP54

## PRODUCT ORDERING

ALUMINIUM BLACK				
	<b>HCP-8821804</b>	18W LED	3000K 4000K 5500K	1480LM 1600LM 1485LM
ALUMINIUM WHITE				
	<b>HCP-8831804</b>	18W LED	3000K 4000K 5500K	1480LM 1600LM 1485LM

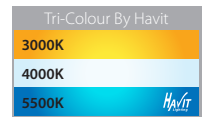
## OTHER DATA



18

LED DOWNLIGHTS



# 24W ROTATABLE DALI DIMMABLE SURFACE MOUNTED DOWNLIGHTS



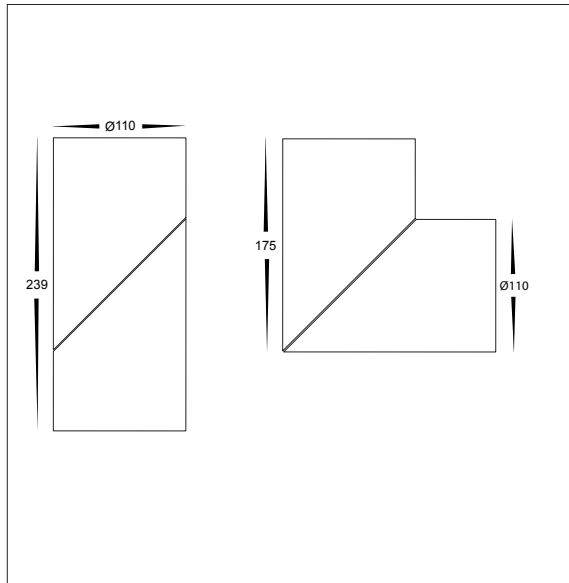
## PRODUCT DATA

24W DALI DIMMABLE DOWNLIGHTS	
MATERIAL	ALUMINIUM
COLOUR/FINISH	MATT BLACK OR MATT WHITE
COLOUR TEMP	3000K   4000K   5500K (TRI-COLOUR)
LUMEN OUTPUT	2100LM   2320LM   2270LM
INPUT VOLTAGE	240V
BUILT IN LED	24W
DIMMING	DALI DIMMABLE
CRI	RA >90
BEAM ANGLE	60°
ROTATION	350°
IP RATING	IP54

## PRODUCT ORDERING

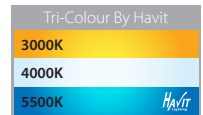
ALUMINIUM BLACK				
	<b>HCP-8822404</b>	24W LED	3000K 4000K 5500K	2100LM 2320LM 2270LM
ALUMINIUM WHITE				
	<b>HCP-8832404</b>	24W LED	3000K 4000K 5500K	2100LM 2320LM 2270LM

## OTHER DATA





# 7W DALI DIMMABLE SURFACE MOUNTED DOWNLIGHTS



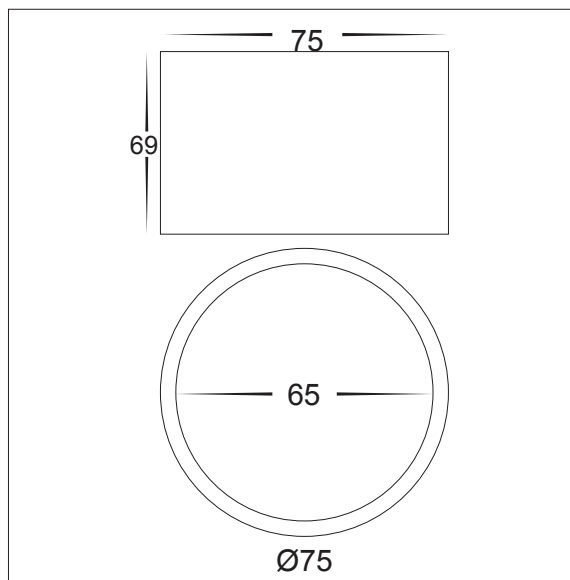
## PRODUCT ORDERING

ALUMINIUM BLACK				
	<b>HCP-8920704</b>	7W LED	3000K 4000K 5500K	528LM 564LM 543LM
	<b>HCP-8920714</b>	7W LED	3000K 4000K 5500K	528LM 564LM 543LM
ALUMINIUM WHITE				
	<b>HCP-8930704</b>	7W LED	3000K 4000K 5500K	528LM 564LM 543LM
	<b>HCP-8930714</b>	7W LED	3000K 4000K 5500K	528LM 564LM 543LM

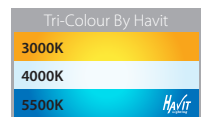
## PRODUCT DATA

7W DALI DIMMABLE DOWNLIGHTS	
MATERIAL	ALUMINIUM
COLOUR/FINISH	MATT BLACK OR MATT WHITE
COLOUR TEMP.	3000K   4000K   5500K (TRI-COLOUR)
LUMEN OUTPUT	528LM   564LM   543LM
INPUT VOLTAGE	240v AC (REMOTE DRIVER)
BUILT-IN LED	7w
DIMMING	DALI DIMMABLE
CRI	RA >90
BEAM ANGLE	120°
IP RATING	IP54

## OTHER DATA



# 12W DALI DIMMABLE SURFACE MOUNTED DOWNLIGHTS



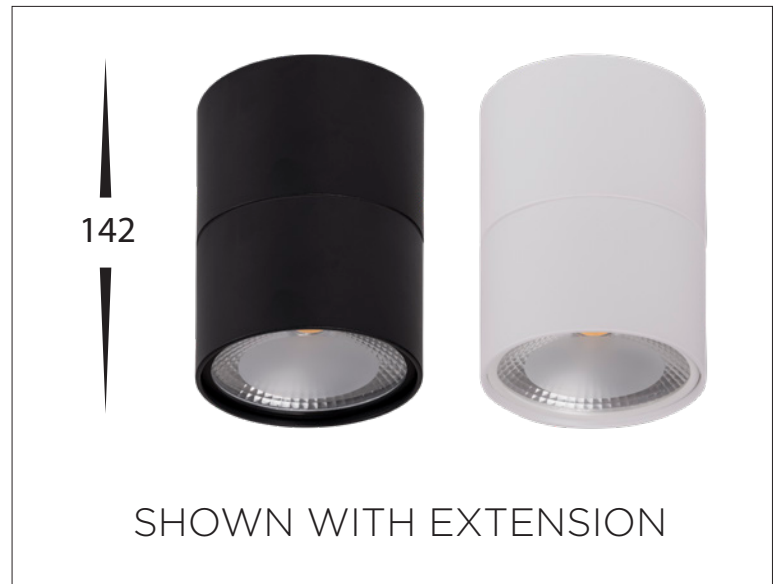
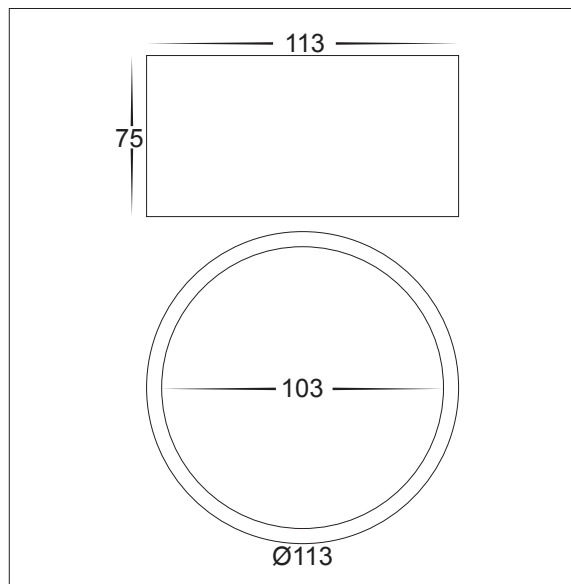
## PRODUCT DATA

12W DALI DIMMABLE DOWNLIGHTS	
MATERIAL	ALUMINIUM
COLOUR/FINISH	MATT BLACK OR MATT WHITE
COLOUR TEMP.	3000K   4000K   5500K (TRI-COLOUR)
LUMEN OUTPUT	1051LM   1127LM   1138LM
INPUT VOLTAGE	240v AC
BUILT-IN LED	12w
DIMMING	DALI DIMMABLE
CRI	RA >90
BEAM ANGLE	120°
IP RATING	IP54

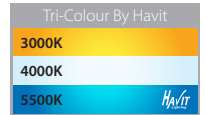
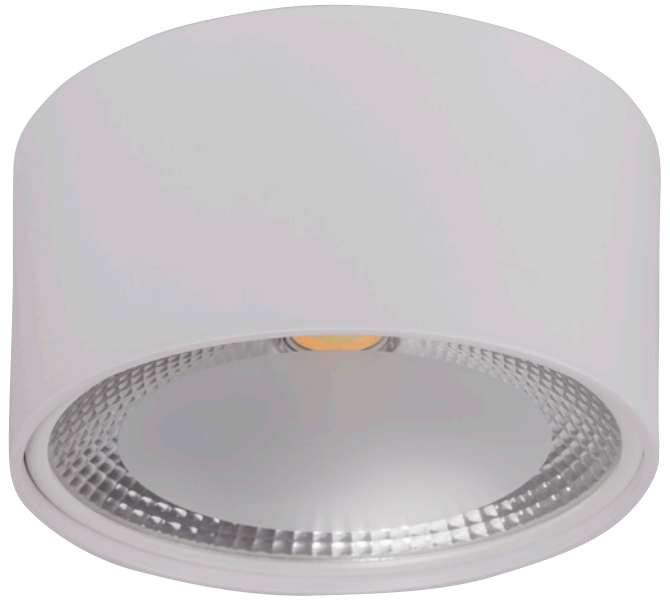
## PRODUCT ORDERING

ALUMINIUM BLACK				
	<b>HCP-8921204</b>	12W LED	3000K 4000K 5500K	1051LM 1127LM 1138LM
	<b>HCP-8921214</b>	12W LED	3000K 4000K 5500K	1051LM 1127LM 1138LM
ALUMINIUM WHITE				
	<b>HCP-8931204</b>	12W LED	3000K 4000K 5500K	1051LM 1127LM 1138LM
	<b>HCP-8931214</b>	12W LED	3000K 4000K 5500K	1051LM 1127LM 1138LM

## OTHER DATA



# 18W DALI DIMMABLE SURFACE MOUNTED DOWNLIGHTS



## PRODUCT ORDERING

ALUMINIUM BLACK				
	<b>HCP-8921804</b>	18W LED	3000K 4000K 5500K	1306LM 1433LM 1381LM
	<b>HCP-8921814</b>	18W LED	3000K 4000K 5500K	1306LM 1433LM 1381LM
ALUMINIUM WHITE				
	<b>HCP-8931804</b>	18W LED	3000K 4000K 5500K	1306LM 1433LM 1381LM
	<b>HCP-8931814</b>	18W LED	3000K 4000K 5500K	1306LM 1433LM 1381LM

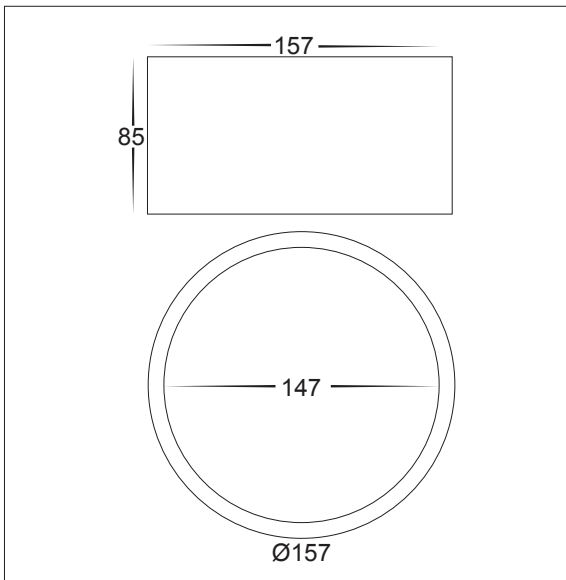
18

LED DOWNLIGHTS

## PRODUCT DATA

18W DALI DIMMABLE DOWNLIGHTS	
MATERIAL	ALUMINIUM
COLOUR/FINISH	MATT BLACK OR MATT WHITE
COLOUR TEMP.	3000K   4000K   5500K (TRI-COLOUR)
LUMEN OUTPUT	1306LM   1433LM   1381LM
INPUT VOLTAGE	240v AC
BUILT-IN LED	18w
DIMMING	DALI DIMMABLE
CRI	RA >90
BEAM ANGLE	120°
IP RATING	IP54

## OTHER DATA



# 7W DALI DIMMABLE SURFACE MOUNTED DOWNLIGHTS



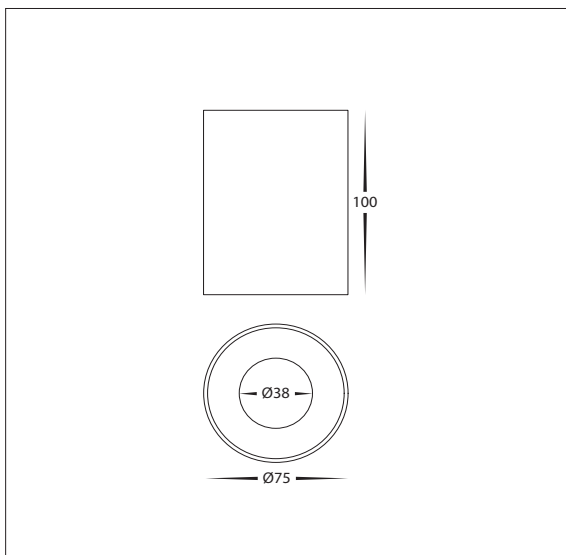
## PRODUCT DATA

7W DALI DIMMABLE DOWNLIGHTS	
MATERIAL	ALUMINIUM
COLOUR/FINISH	MATT BLACK OR MATT WHITE
COLOUR TEMP.	2700K   3000K   4000K   5000K   5700K (5 COLOUR)
LUMEN OUTPUT	499LM   512LM   558LM   593LM   601LM
INPUT VOLTAGE	240V AC
BUILT-IN LED	7W
DIMMING	DALI
CRI	RA > 90
BEAM ANGLE	60°
IP RATING	IP54

## PRODUCT ORDERING

ALUMINIUM BLACK				
	<b>HCP-8920724</b>	7W LED	2700K 3000K 4000K 5000K 5700K	499LM 512LM 558LM 593LM 601LM
ALUMINIUM WHITE				
	<b>HCP-8930724</b>	7W LED	2700K 3000K 4000K 5000K 5700K	499LM 512LM 558LM 593LM 601LM
OPTIONAL INSERTS				
	<b>HCP-80907-BR</b>	BLACK INSERT		
	<b>HCP-80907-CR</b>	CHROME INSERT		
	<b>HCP-80907-GR</b>	ROSE GOLD INSERT		

## OTHER DATA



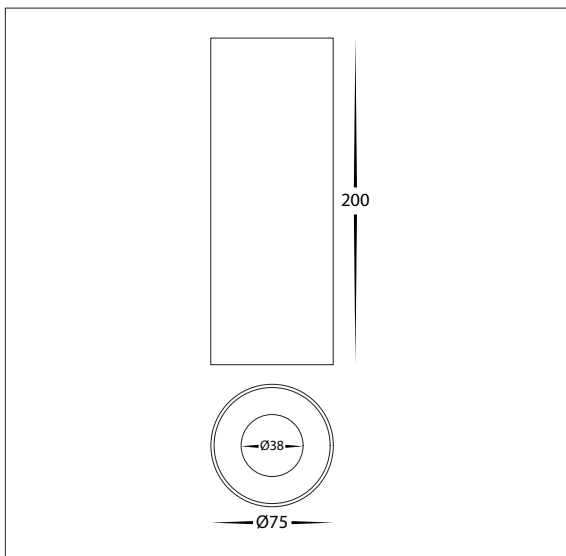
# 7W DALI DIMMABLE SURFACE MOUNTED DOWNLIGHTS



## PRODUCT DATA

7W DALI DIMMABLE DOWNLIGHTS	
MATERIAL	ALUMINIUM
COLOUR/FINISH	MATT BLACK OR MATT WHITE
COLOUR TEMP.	2700K   3000K   4000K   5000K   5700K (5 COLOUR)
LUMEN OUTPUT	499LM   512LM   558LM   593LM   601LM
INPUT VOLTAGE	240V AC
BUILT-IN LED	7W
DIMMING	DALI
CRI	RA > 90
BEAM ANGLE	60°
IP RATING	IP54

## OTHER DATA



## PRODUCT ORDERING

ALUMINIUM BLACK				
	<b>HCP-8920734</b>	7W LED	2700K 3000K 4000K 5000K 5700K	499LM 512LM 558LM 593LM 601LM
ALUMINIUM WHITE				
	<b>HCP-8930734</b>	7W LED	2700K 3000K 4000K 5000K 5700K	499LM 512LM 558LM 593LM 601LM
OPTIONAL INSERTS				
	<b>HCP-80907-BR</b>		BLACK INSERT	
	<b>HCP-80907-CR</b>		CHROME INSERT	
	<b>HCP-80907-GR</b>		ROSE GOLD INSERT	








# 12W DALI DIMMABLE SURFACE MOUNTED DOWNLIGHTS



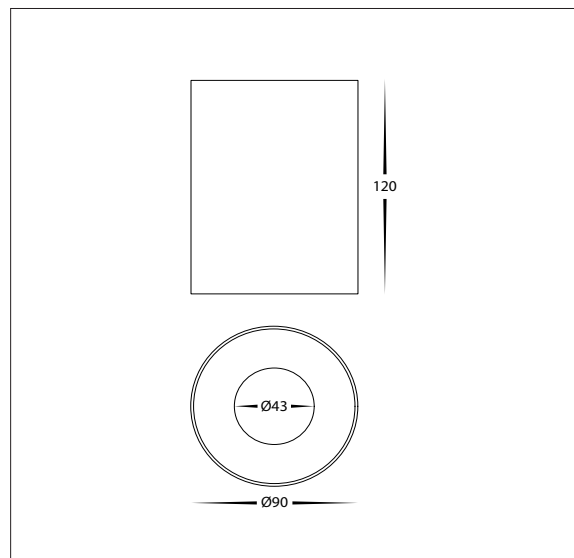
## PRODUCT DATA

12W DALI DIMMABLE DOWNLIGHTS	
MATERIAL	ALUMINIUM
COLOUR/FINISH	MATT BLACK OR MATT WHITE
COLOUR TEMP.	2700K   3000K   4000K   5000K   5700K (5 COLOUR)
LUMEN OUTPUT	688LM   840LM   916LM   931LM   1004LM
INPUT VOLTAGE	240V AC
BUILT-IN LED	12W
DIMMING	DALI
CRI	RA > 90
BEAM ANGLE	60°
IP RATING	IP54

## PRODUCT ORDERING

ALUMINIUM BLACK				
	<b>HCP-8921224</b>	12W LED	2700K 3000K 4000K 5000K 5700K	688LM 840LM 916LM 931LM 1004LM
ALUMINIUM WHITE				
	<b>HCP-8931224</b>	12W LED	2700K 3000K 4000K 5000K 5700K	688LM 840LM 916LM 931LM 1004LM
OPTIONAL INSERTS				
	<b>HCP-80912-BR</b>		BLACK INSERT	
	<b>HCP-80912-CR</b>		CHROME INSERT	
	<b>HCP-80912-GR</b>		ROSE GOLD INSERT	

## OTHER DATA






# 12W DALI DIMMABLE SURFACE MOUNTED DOWNLIGHTS



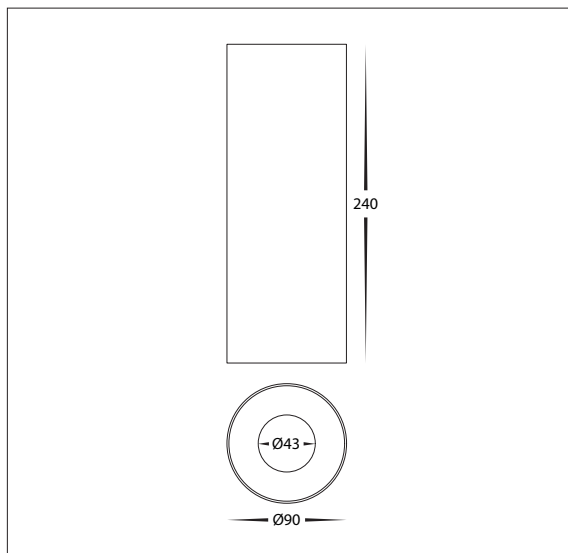
## PRODUCT DATA

12W DALI DIMMABLE DOWNLIGHTS	
MATERIAL	ALUMINIUM
COLOUR/FINISH	MATT BLACK OR MATT WHITE
COLOUR TEMP.	2700K   3000K   4000K   5000K   5700K (5 COLOUR)
LUMEN OUTPUT	688LM   840LM   916LM   931LM   1004LM
INPUT VOLTAGE	240V AC
BUILT-IN LED	12W
DIMMING	DALI
CRI	RA > 90
BEAM ANGLE	60°
IP RATING	IP54

## PRODUCT ORDERING

ALUMINIUM BLACK				
	<b>HCP-8921234</b>	12W LED	2700K 3000K 4000K 5000K 5700K	688LM 840LM 916LM 931LM 1004LM
ALUMINIUM WHITE				
	<b>HCP-8931234</b>	12W LED	2700K 3000K 4000K 5000K 5700K	688LM 840LM 916LM 931LM 1004LM
OPTIONAL INSERTS				
	<b>HCP-80912-BR</b>	BLACK INSERT		
	<b>HCP-80912-CR</b>	CHROME INSERT		
	<b>HCP-80912-GR</b>	ROSE GOLD INSERT		

## OTHER DATA



# 18W DALI DIMMABLE SURFACE MOUNTED DOWNLIGHTS



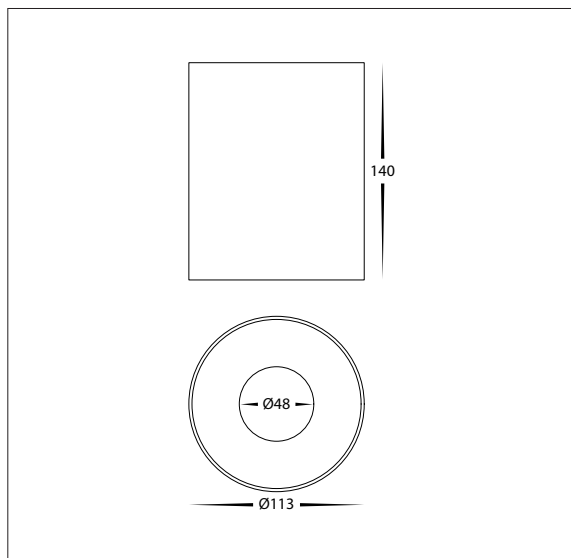
## PRODUCT DATA

18W DALI DIMMABLE DOWNLIGHTS	
MATERIAL	ALUMINIUM
COLOUR/FINISH	MATT BLACK OR MATT WHITE
COLOUR TEMP.	2700K   3000K   4000K   5000K   5700K (5 COLOUR)
LUMEN OUTPUT	1371LM   1410LM   1518LM   1600LM   1617LM
INPUT VOLTAGE	240V AC
BUILT-IN LED	18W
DIMMING	DALI
CRI	RA > 90
BEAM ANGLE	60°
IP RATING	IP54

## PRODUCT ORDERING

ALUMINIUM BLACK				
	<b>HCP-8921824</b>	18W LED	2700K 3000K 4000K 5000K 5700K	1371LM 1410LM 1518LM 1600LM 1617LM
ALUMINIUM WHITE				
	<b>HCP-8931824</b>	18W LED	2700K 3000K 4000K 5000K 5700K	1371LM 1410LM 1518LM 1600LM 1617LM
OPTIONAL INSERTS				
	<b>HCP-80918-BR</b>		BLACK INSERT	
	<b>HCP-80918-CR</b>		CHROME INSERT	
	<b>HCP-80918-GR</b>		ROSE GOLD INSERT	

## OTHER DATA





# 24W DALI DIMMABLE SURFACE MOUNTED DOWNLIGHTS



18

LED DOWNLIGHTS

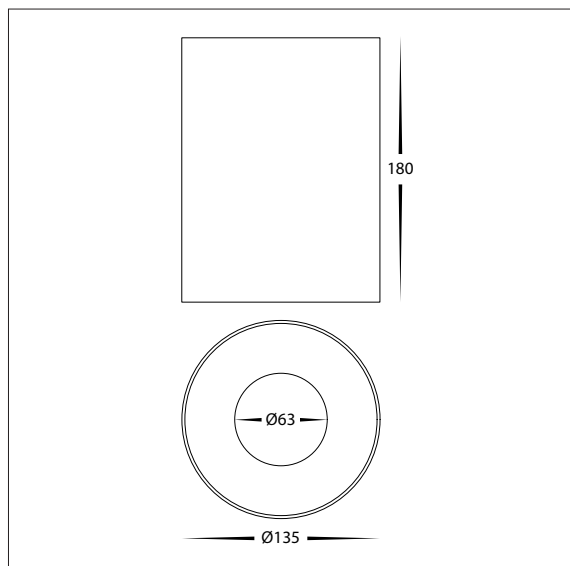
## PRODUCT DATA

24W DALI DIMMABLE DOWNLIGHTS	
MATERIAL	ALUMINIUM
COLOUR/FINISH	MATT BLACK OR MATT WHITE
COLOUR TEMP.	2700K   3000K   4000K   5000K   5700K (5 COLOUR)
LUMEN OUTPUT	1554LM   1638LM   1796LM   1893LM   1968LM
INPUT VOLTAGE	240V AC
BUILT-IN LED	24W
DIMMING	DALI
CRI	RA > 90
BEAM ANGLE	60°
IP RATING	IP54

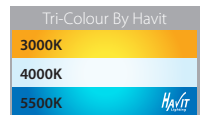
## PRODUCT ORDERING

ALUMINIUM BLACK				
	<b>HCP-8922424</b>	24W LED	2700K 3000K 4000K 5000K 5700K	1554LM 1638LM 1796LM 1893LM 1968LM
ALUMINIUM WHITE				
	<b>HCP-8932424</b>	24W LED	2700K 3000K 4000K 5000K 5700K	1554LM 1638LM 1796LM 1893LM 1968LM
OPTIONAL INSERTS				
	<b>HCP-80924-BR</b>		BLACK INSERT	
	<b>HCP-80924-CR</b>		CHROME INSERT	
	<b>HCP-80924-GR</b>		ROSE GOLD INSERT	

## OTHER DATA





# 12W IP65 SURFACE MOUNTED DOWNLIGHTS



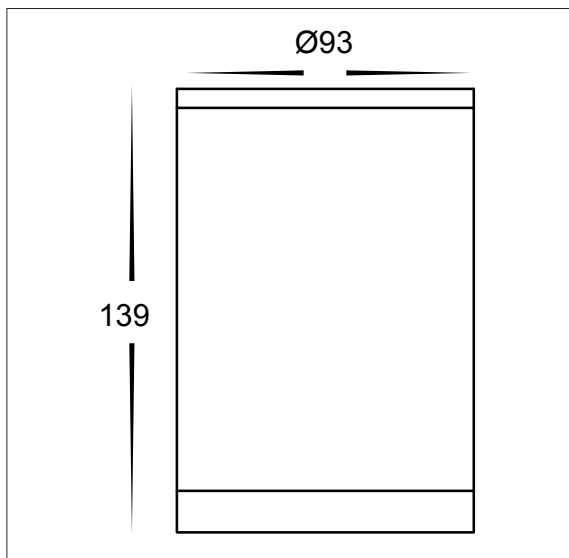
## PRODUCT DATA

12W IP65 DOWNLIGHTS	
MATERIAL	ALUMINIUM
COLOUR/FINISH	MATT BLACK OR MATT WHITE
COLOUR TEMP.	3000K   4000K   5500K (TRI-COLOUR)
LUMEN OUTPUT	1280LM   1360LM   1274LM
INPUT VOLTAGE	240v AC
BUILT-IN LED	12w
DIMMING	NO
CRI	Ra >80
BEAM ANGLE	60°
IP RATING	IP65

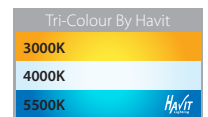
## PRODUCT ORDERING

ALUMINIUM BLACK				
	<b>HCP-8921201</b>	12W LED	3000K 4000K 5500K	1280LM 1360LM 1274LM
ALUMINIUM WHITE				
	<b>HCP-8931201</b>	12W LED	3000K 4000K 5500K	1280LM 1360LM 1274LM

## OTHER DATA





# 15W IP65 SURFACE MOUNTED DOWNLIGHTS



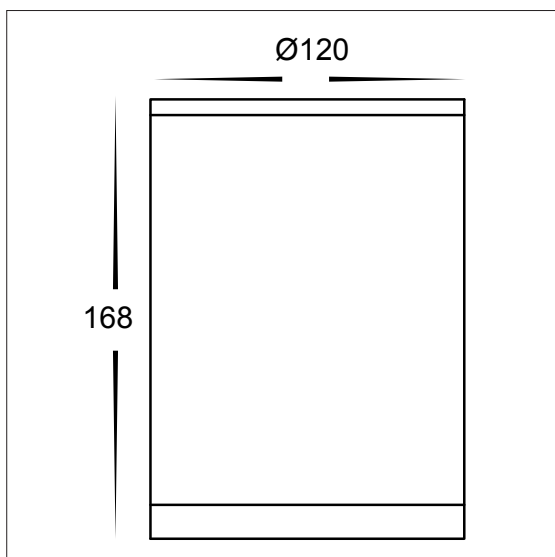
## PRODUCT DATA

15W IP65 DOWNLIGHTS	
MATERIAL	ALUMINIUM
COLOUR/FINISH	MATT BLACK OR MATT WHITE
COLOUR TEMP.	3000K   4000K   5500K (TRI-COLOUR)
LUMEN OUTPUT	1410LM   1550LM   1480LM
INPUT VOLTAGE	240v AC
BUILT-IN LED	15w
DIMMING	NO
CRI	Ra >80
BEAM ANGLE	60°
IP RATING	IP65

## PRODUCT ORDERING

ALUMINIUM BLACK				
	<b>HCP-8921501</b>	15W LED	3000K 4000K 5500K	1410LM 1550LM 1480LM
ALUMINIUM WHITE				
	<b>HCP-8931501</b>	15W LED	3000K 4000K 5500K	1410LM 1550LM 1480LM

## OTHER DATA



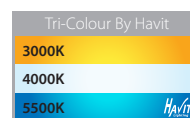
# 20W DALI DIMMABLE LED OYSTERS





## PRODUCT DATA

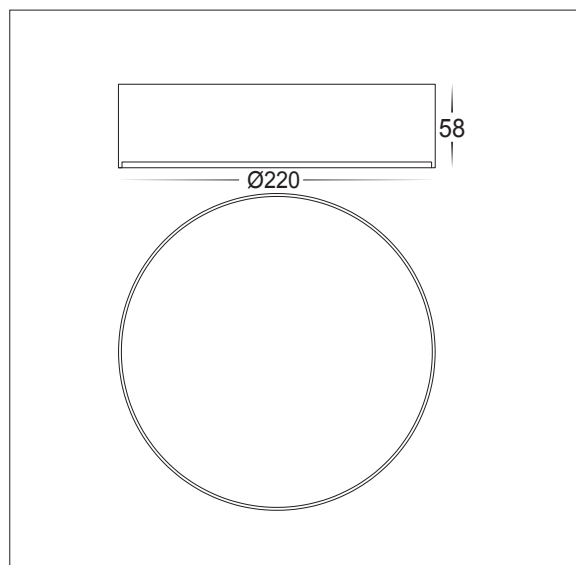
IP54 LED OYSTERS	
MATERIAL	ALUMINIUM
COLOUR/FINISH	MATT BLACK OR WHITE
COLOUR TEMP.	3000K   4000K   5500K (TRI-COLOUR)
LUMEN OUTPUT	1214LM   1345LM   1251LM
INPUT VOLTAGE	240V AC
BUILT-IN LED	20W
DIMMING	DALI DIMMABLE
CRI	RA >90
BEAM ANGLE	120°
IP RATING	IP54

## PRODUCT ORDERING



ALUMINIUM BLACK				
	<b>HCP-8922004</b>	20W LED	3000K 4000K 5500K	1214LM 1345LM 1251LM
ALUMINIUM WHITE				
	<b>HCP-8932004</b>	20W LED	3000K 4000K 5500K	1214LM 1345LM 1251LM

## OTHER DATA





# 30W DALI DIMMABLE LED OYSTERS

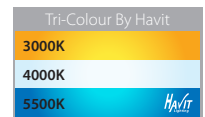


## PRODUCT DATA

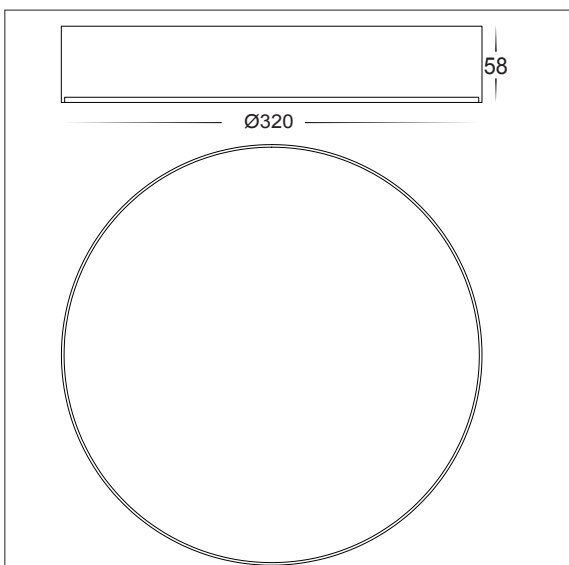
IP54 LED OYSTERS	
MATERIAL	ALUMINIUM
COLOUR/FINISH	MATT BLACK OR WHITE
COLOUR TEMP.	3000K   4000K   5500K (TRI-COLOUR)
LUMEN OUTPUT	2056LM   2131LM   2212LM
INPUT VOLTAGE	240V AC
BUILT-IN LED	30W
DIMMING	DALI DIMMABLE
CRI	RA >90
BEAM ANGLE	120°
IP RATING	IP54

## PRODUCT ORDERING

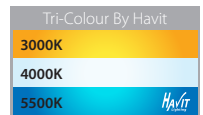
ALUMINIUM BLACK				
	<b>HCP-8923004</b>	30W LED	3000K 4000K 5500K	2056LM 2131LM 2212LM
ALUMINIUM WHITE				
	<b>HCP-8933004</b>	30W LED	3000K 4000K 5500K	2056LM 2131LM 2212LM



## OTHER DATA






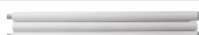
# 12W DALI DIMMABLE PENDANTS



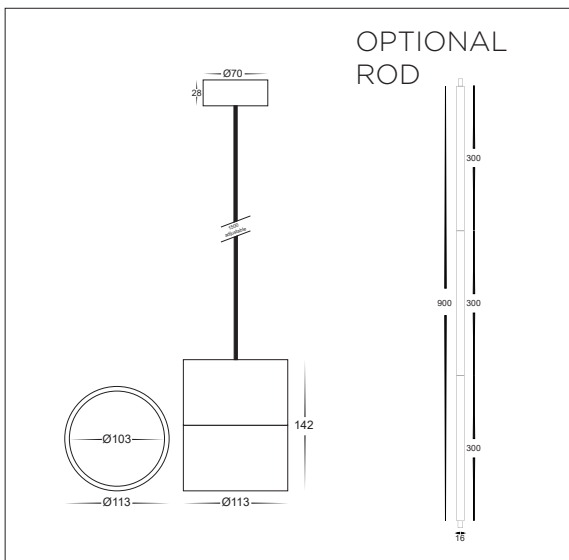
## PRODUCT DATA

12W DALI DIMMABLE PENDANTS	
MATERIAL	ALUMINIUM
COLOUR/FINISH	MATT BLACK OR MATT WHITE
COLOUR TEMP.	3000K   4000K   5500K (TRI-COLOUR)
LUMEN OUTPUT	1051LM   1127LM   1138LM
INPUT VOLTAGE	240v AC
BUILT-IN LED	12w
DIMMING	DALI DIMMABLE
CRI	RA >90
BEAM ANGLE	120°
IP RATING	IP20

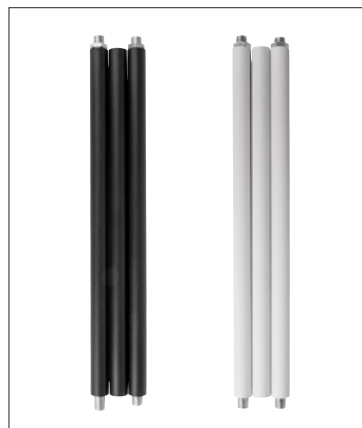
## PRODUCT ORDERING

ALUMINIUM BLACK				
	<b>HCP-8921204-PDT</b>	12W LED	3000K 4000K 5500K	1051LM 1127LM 1138LM
ALUMINIUM WHITE				
	<b>HCP-8931204-PDT</b>	12W LED	3000K 4000K 5500K	1051LM 1127LM 1138LM
OPTIONAL ACCESSORIES				
	<b>HCP-900MM-ROD-BLK</b>	Black Rod		
	<b>HCP-900MM-ROD-WHT</b>	White Rod		

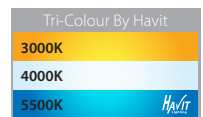
## OTHER DATA



## OPTIONAL ACCESSORIES







# 18W DALI DIMMABLE PENDANTS



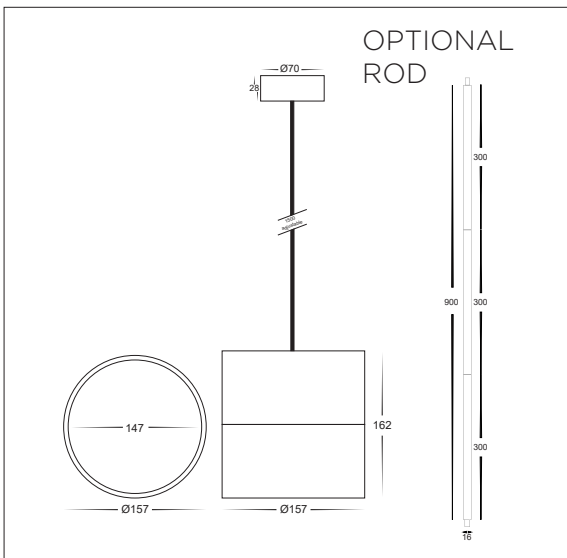
## PRODUCT DATA

18W DALI DIMMABLE PENDANTS	
MATERIAL	ALUMINIUM
COLOUR/FINISH	MATT BLACK OR MATT WHITE
COLOUR TEMP.	3000K   4000K   5500K (TRI-COLOUR)
LUMEN OUTPUT	1306LM   1433LM   1381LM
INPUT VOLTAGE	240v AC
BUILT-IN LED	18w
DIMMING	DALI DIMMABLE
CRI	RA >90
BEAM ANGLE	120°
IP RATING	IP20

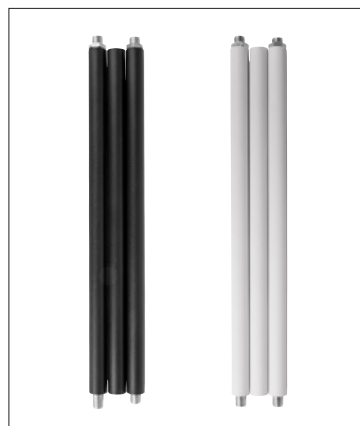
## PRODUCT ORDERING

ALUMINIUM BLACK				
	<b>HCP-8921804-PDT</b>	18W LED	3000K 4000K 5500K	1306LM 1433LM 1381LM
ALUMINIUM WHITE				
	<b>HCP-8931804-PDT</b>	18W LED	3000K 4000K 5500K	1306LM 1433LM 1381LM
OPTIONAL ACCESSORIES				
	<b>HCP-900MM-ROD-BLK</b>	Black Rod		
	<b>HCP-900MM-ROD-WHT</b>	White Rod		

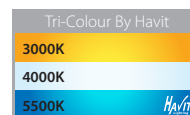
## OTHER DATA



## OPTIONAL ACCESSORIES



# 20W LED PENDANTS



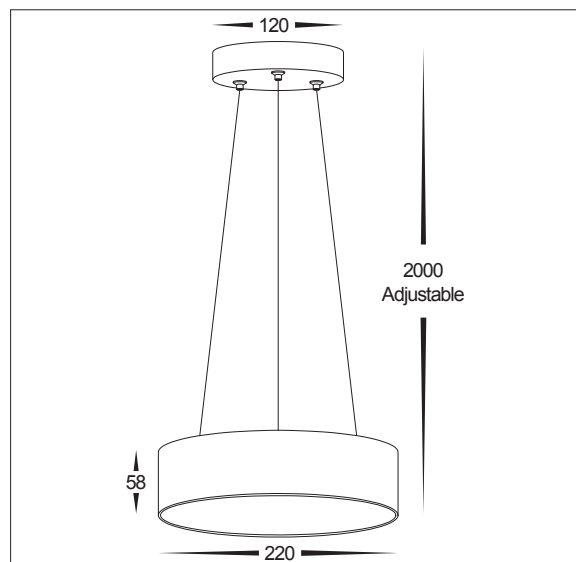
## PRODUCT DATA

IP20 ROUND PENDANTS	
MATERIAL	ALUMINIUM
COLOUR/FINISH	MATT BLACK OR WHITE
COLOUR TEMP.	3000K   4000K   5500K (TRI-COLOUR)
LUMEN OUTPUT	1214LM   1345LM   1251LM
INPUT VOLTAGE	240V AC
BUILT-IN LED	20W
DIMMING	DALI DIMMABLE
CRI	RA >90
BEAM ANGLE	120°
IP RATING	IP20

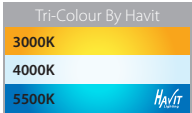
## PRODUCT ORDERING

ALUMINIUM BLACK				
	<b>HCP-8922004-PDT</b>	20W LED	3000K 4000K 5500K	1214LM 1345LM 1251LM
ALUMINIUM WHITE				
	<b>HCP-8932004-PDT</b>	20W LED	3000K 4000K 5500K	1214LM 1345LM 1251LM

## OTHER DATA







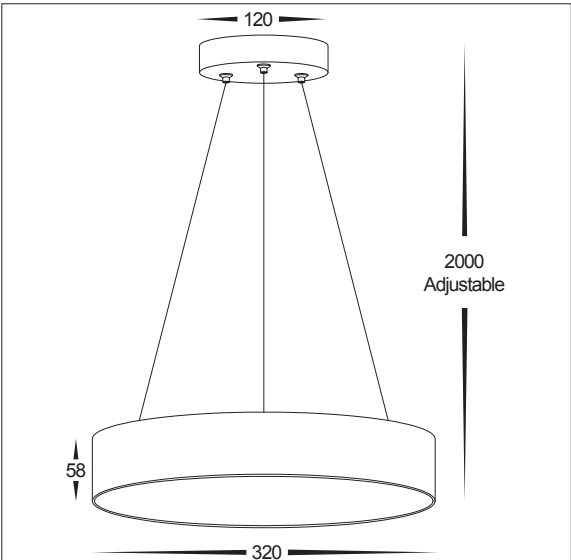
PRODUCT DATA

IP20 ROUND PENDANTS	
MATERIAL	ALUMINIUM
COLOUR/FINISH	MATT BLACK OR WHITE
COLOUR TEMP.	3000K   4000K   5500K (TRI-COLOUR)
LUMEN OUTPUT	2056LM   2131LM   2212LM
INPUT VOLTAGE	240V AC
BUILT-IN LED	30W
DIMMING	DALI DIMMABLE
CRI	RA >90
BEAM ANGLE	120°
IP RATING	IP20

PRODUCT ORDERING

ALUMINIUM BLACK				
	<b>HCP-8923004-PDT</b>	30W LED	3000K 4000K 5500K	2056LM 2131LM 2212LM
ALUMINIUM WHITE				
	<b>HCP-8933004-PDT</b>	30W LED	3000K 4000K 5500K	2056LM 2131LM 2212LM

OTHER DATA



# RECESSED LED SPITFIRE



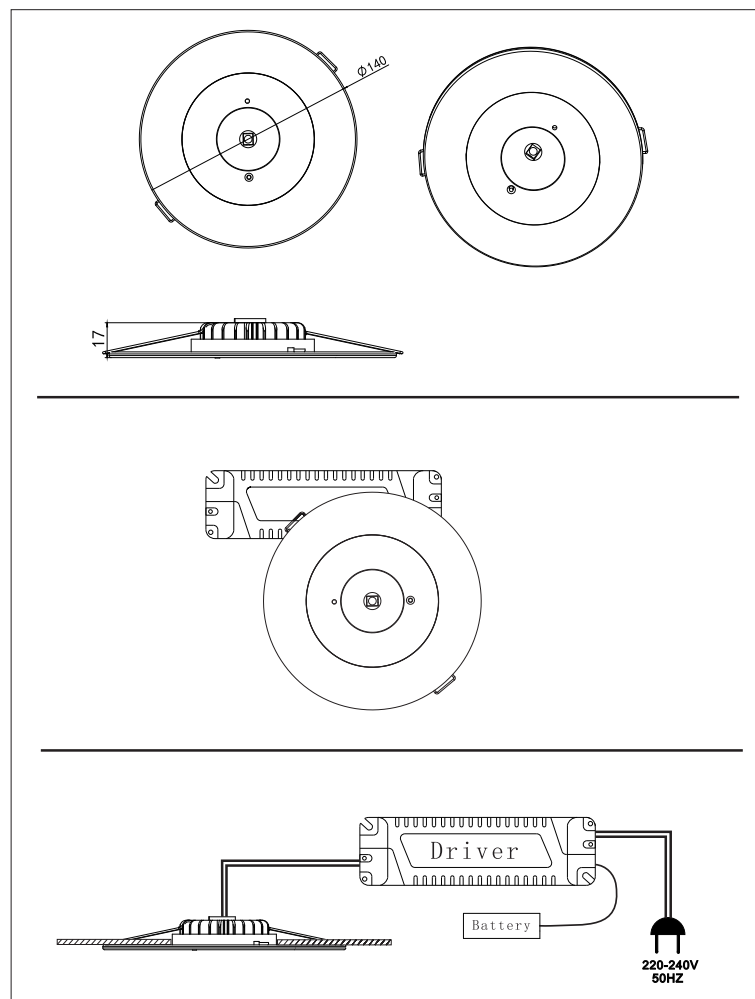
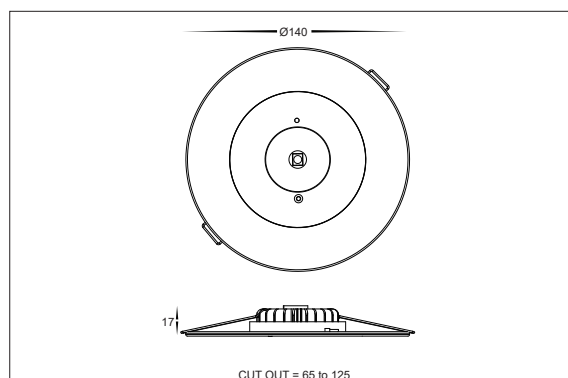
## PRODUCT DATA

RECESSED SPITFIRE	
MATERIAL	POLYCARBONATE + ALUMINIUM
COLOUR/FINISH	MATT WHITE
BUILT IN LED	3W
COLOUR TEMP	6000K
LUMENS	140LM
INPUT VOLTAGE	240V
BATTERY TYPE	LITHIUM
CHARGING TIME	24HRS
DURATION TIME	3 HOURS
WORK MODE	NON-MAINTAINED
TEST MODE	SELF TESTING
CUT OUT	65MM - 125MM
IP RATING	IP20

## PRODUCT ORDERING

RECESSED SPITFIRE			
<b>HCP-91301</b>	3W LED	6000K	140LM

## OTHER DATA



# SURFACE MOUNTED LED SPITFIRE



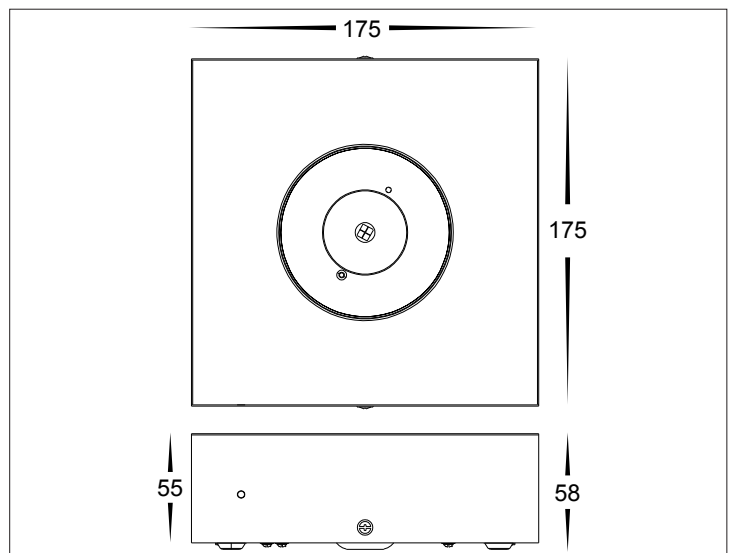
## PRODUCT DATA

SURFACE MOUNTED SPITFIRE	
MATERIAL	POLYCARBONATE + ALUMINIUM
COLOUR/FINISH	MATT WHITE
BUILT IN LED	3W
COLOUR TEMP	6000K
LUMENS	140LM
INPUT VOLTAGE	240V
BATTERY TYPE	LITHIUM
CHARGING TIME	24HRS
DURATION TIME	3 HOURS
WORK MODE	NON-MAINTAINED
TEST MODE	SELF TESTING
IP RATING	IP20

## PRODUCT ORDERING

SURFACE MOUNTED SPITFIRE			
<b>HCP-91302</b>	3W LED	6000K	140LM

## OTHER DATA



# EXIT LIGHT



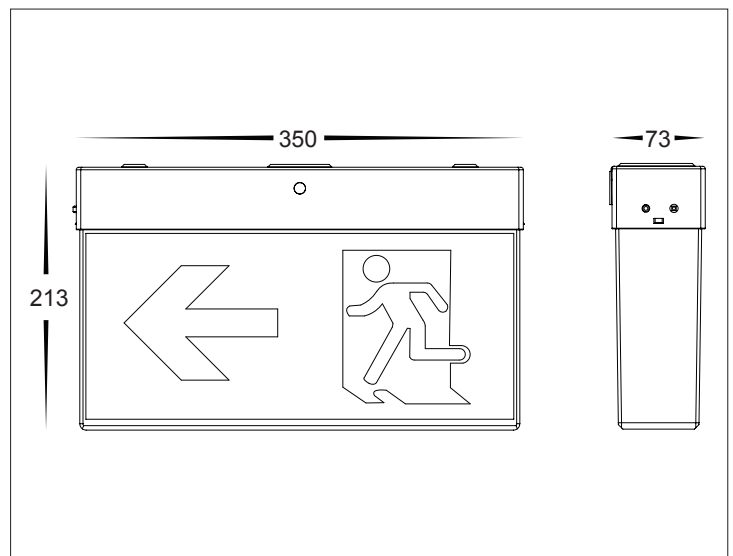
## PRODUCT DATA

EXIT LIGHT	
MATERIAL	POLYCARBONATE
COLOUR/FINISH	MATT WHITE
BUILT IN LED	3W
COLOUR TEMP	6000K
LUMENS	140LM
INPUT VOLTAGE	240V
BATTERY TYPE	LITHIUM
CHARGING TIME	24HRS
DURATION TIME	3 HOURS
VIEWING DISTANCE	24M
WORK MODE	MAINTAINED
TEST MODE	SELF TESTING
IP RATING	IP20

## PRODUCT ORDERING

EXIT LIGHT			
<b>HCP-91303</b>	3W LED	6000K	140LM

## OTHER DATA





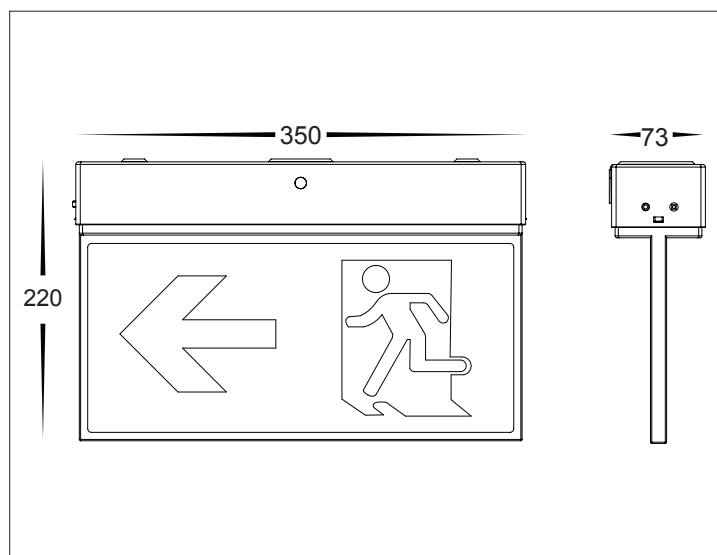
PRODUCT DATA

EXIT LIGHT	
MATERIAL	POLYCARBONATE
COLOUR/FINISH	MATT WHITE
BUILT IN LED	3W
COLOUR TEMP	6000K
LUMENS	140LM
INPUT VOLTAGE	240V
BATTERY TYPE	LITHIUM
CHARGING TIME	24HRS
DURATION TIME	3 HOURS
VIEWING DISTANCE	24M
WORK MODE	MAINTAINED
TEST MODE	SELF TESTING
IP RATING	IP20

PRODUCT ORDERING

EXIT LIGHT			
<b>HCP-91304</b>	3W LED	6000K	140LM

OTHER DATA



20

EMERGENCY LIGHTS

# EXIT LIGHT



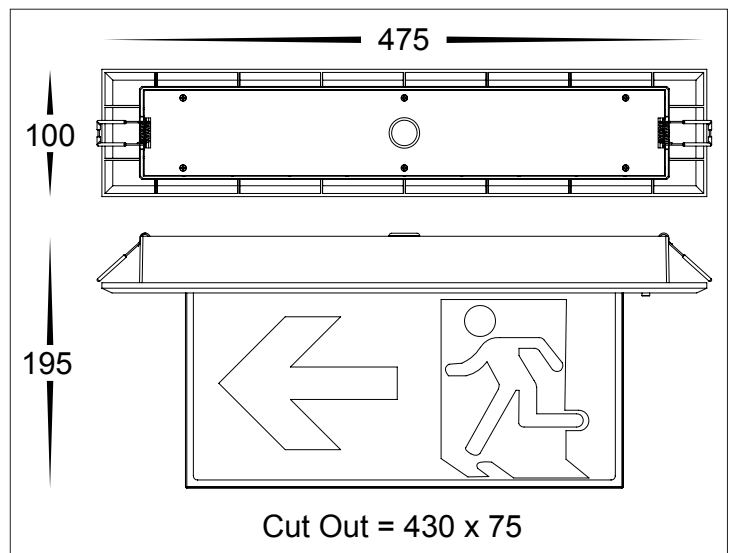
## PRODUCT DATA

EXIT LIGHT	
MATERIAL	ALUMINIUM
COLOUR/FINISH	MATT WHITE
BUILT IN LED	3W
COLOUR TEMP	6000K
LUMENS	140LM
INPUT VOLTAGE	240V
BATTERY TYPE	LITHIUM
CHARGING TIME	24HRS
DURATION TIME	3 HOURS
VIEWING DISTANCE	24M
WORK MODE	MAINTAINED
TEST MODE	SELF TESTING
CUT OUT	430MM X 75MM
IP RATING	IP20

## PRODUCT ORDERING

EXIT LIGHT			
<b>HCP-91305</b>	3W LED	6000K	140LM

## OTHER DATA



# TWIN FLOOD EMERGENCY SPOT



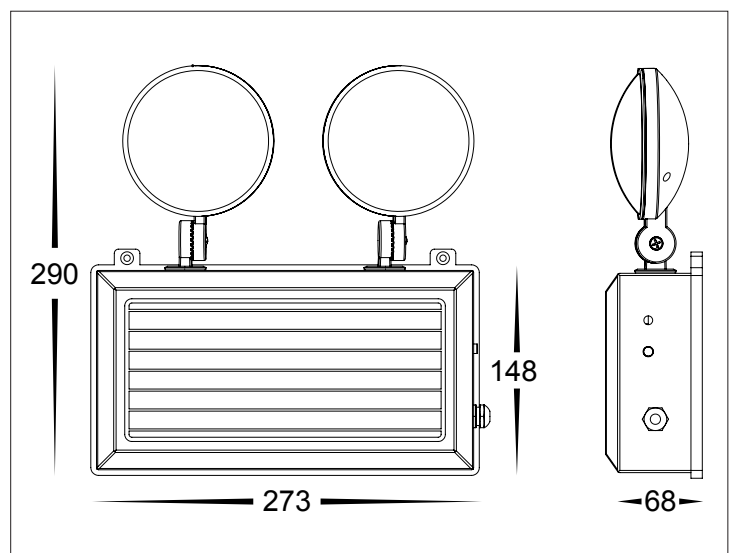
## PRODUCT DATA

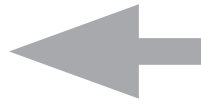
TWIN SPOT EMERGENCY LIGHT	
MATERIAL	POLYCARBONATE
COLOUR/FINISH	MATT WHITE
BUILT IN LED	2X 3W
COLOUR TEMP	6000K
LUMENS	2X 140LM
INPUT VOLTAGE	240V
BATTERY TYPE	LITHIUM
CHARGING TIME	24HRS
DURATION TIME	3 HOURS
WORK MODE	NON MAINTAINED
TEST MODE	MANUAL TESTING
IP RATING	IP20

## PRODUCT ORDERING

TWIN SPOT EMERGENCY LIGHT			
<b>HCP-91306</b>	2x3W LED	6000K	2x 140LM

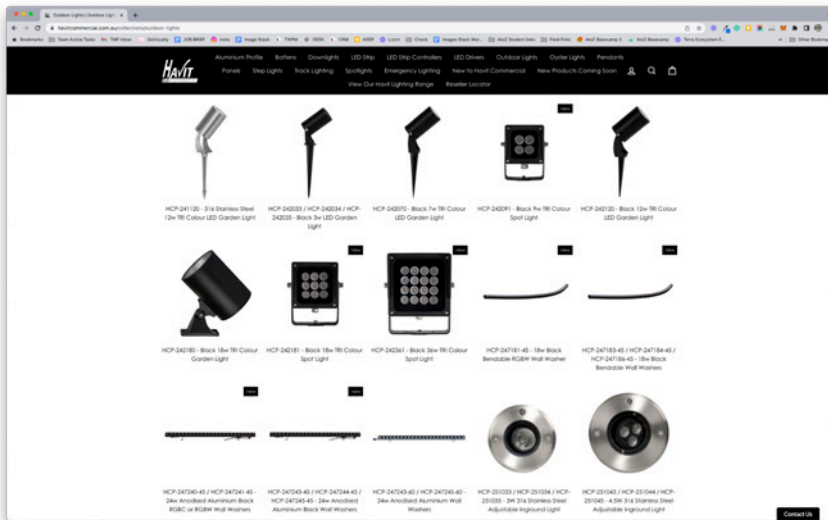
## OTHER DATA





[www.HavitCommercial.com.au](http://www.HavitCommercial.com.au)

Scan this qr code to to access technical data, specifications, IES files and more product photos to explore the Havit Commerical range in detail



@HavitLighting



@LightingbyHavit



@HavitLighting

[www.HavitCommercial.com.au](http://www.HavitCommercial.com.au)





## Warranty Terms & Conditions

HAVIT COMMERCIAL offers 5 years limited replacement warranty on products that fail due to defective materials or workmanship. The warranty period begins from the date of purchase.

Scan QR code to see  
Havit Commercial Warranty Terms & Conditions



[www.HavitCommerical.com.au/warranty](http://www.HavitCommerical.com.au/warranty)

# IP (INGRESS PROTECTION) RATINGS GUIDE

SOLIDS		WATER	
	Protected against a solid object greater than 50mm, such as a hand		Protected against vertically falling drops of water. Limited ingress permitted
	Protected against a solid object greater than 12.5mm, such as a finger		Protected against vertically falling drops of water with enclosure tilted 15° from vertical. Limited ingress permitted
	Protected against a solid object greater than 2.5mm, such as a screwdriver		Protected against sprays to 60° from the vertical. Limited ingress permitted
	Protected against a solid object greater than 1.0mm, such as a wire		Protected against water splashed from all directions. Limited ingress permitted
	Dust protected. Limited ingress of dust permitted		Protected against jets of water. Limited ingress permitted
	Dust Tight. Zero ingress of dust permitted		Protected against strong jets of water. Limited ingress permitted
			Protected against the effects of immersion between 15cm and 1m for up to 1hr
			Protected against long periods of immersion under pressure

**IP** 67

INGRESS PROTECTION

Chart for reference only. Please refer to AS60529. Diagrams used to illustrate the IP Rating do not have any relation to standards or the IP Rating system and should only be used as a guide.

IK Ratings is the measurement of an object being dropped or fallen onto a fitting from a certain distance and up to a certain weight without the glass breaking.

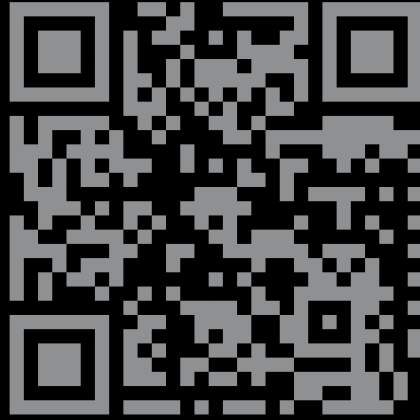
IK CODE	
00	No Protection
	<p>0.25 kg 56mm</p> <p>Protected against impact of object with weight of up to 0.25kg mass dropped from 56mm above the impacted surface.</p>
	<p>0.25 kg 80mm</p> <p>Protected against impact of object with weight of up to 0.25kg mass dropped from 80mm above the impacted surface.</p>
	<p>0.2 kg 140mm</p> <p>Protected against impact of object with weight of up to 0.2kg mass dropped from 140mm above the impacted surface.</p>
	<p>0.25 kg 200mm</p> <p>Protected against impact of object with weight of up to 0.25kg mass dropped from 200mm above the impacted surface.</p>
	<p>0.25 kg 280mm</p> <p>Protected against impact of object with weight of up to 0.25kg mass dropped from 280mm above the impacted surface.</p>
06	<p>0.25 kg 400mm</p> <p>Protected against impact of object with weight of up to 0.25kg mass dropped from 400mm above the impacted surface.</p>
	<p>0.5 kg 400mm</p> <p>Protected against impact of object with weight of up to 0.5kg mass dropped from 400mm above the impacted surface.</p>
	<p>1.7 kg 300mm</p> <p>Protected against impact of object with weight of up to 1.7kg mass dropped from 300mm above the impacted surface.</p>
	<p>5 kg 200mm</p> <p>Protected against impact of object with weight of up to 5kg mass dropped from 200mm above the impacted surface.</p>
	<p>5 kg 400mm</p> <p>Protected against impact of object with weight of up to 5kg mass dropped from 400mm above the impacted surface.</p>



A series of horizontal dotted lines for writing notes.

A series of horizontal dotted lines for taking notes.





***2024***

 **@HavitLighting**

 **@HavitCommercial**

 **@HavitCommercial**

[www.HavitCommercial.com.au](http://www.HavitCommercial.com.au)